



US00D564322S

(12) **United States Design Patent**
Wright et al.

(10) **Patent No.:** **US D564,322 S**
(45) **Date of Patent:** **** Mar. 18, 2008**

(54) **DRYWALL SANDER**

(75) Inventors: **Stuart J. Wright**, Timonium, MD
(US); **John White**, Chicago, IL (US)

(73) Assignee: **Black & Decker Inc.**, Newark, DE
(US)

(**) Term: **14 Years**

(21) Appl. No.: **29/248,950**

(22) Filed: **Sep. 12, 2006**

(51) **LOC (8) Cl.** **08-01**

(52) **U.S. Cl.** **D8/62; D8/90**

(58) **Field of Classification Search** D8/90,
D8/62; 451/344, 354, 456, 523, 524, 525
See application file for complete search history.

(56) **References Cited**

U.S. PATENT DOCUMENTS

4,184,291	A *	1/1980	Marton	451/344
4,782,632	A *	11/1988	Matechuk	451/354
4,937,984	A *	7/1990	Taranto	451/524
4,964,243	A *	10/1990	Reiter	451/354
4,974,371	A *	12/1990	Conboy	451/356
5,036,627	A *	8/1991	Walters	451/354
5,239,783	A *	8/1993	Matechuk	451/354
D353,313	S *	12/1994	Stiles	D8/62
D354,666	S *	1/1995	Kriebel	D8/90

5,690,545	A *	11/1997	Clowers et al.	451/359
D392,860	S *	3/1998	Brown	D8/62
7,033,259	B1 *	4/2006	Seasholtz et al.	451/354
7,249,996	B1 *	7/2007	Volyar	451/354

OTHER PUBLICATIONS

Printout from google search for drywall sander, 1 page, Nov. 2008.*
* cited by examiner

Primary Examiner—Philip S. Hyder

(74) *Attorney, Agent, or Firm*—Scott B. Markow; Adan Ayala

(57) **CLAIM**

The ornamental design for a drywall sander, as shown and described.

DESCRIPTION

FIG. 1 is a left/front perspective view of the drywall sander.

FIG. 2 is a right/front perspective view thereof.

FIG. 3 is a front view thereof.

FIG. 4 is a rear view thereof.

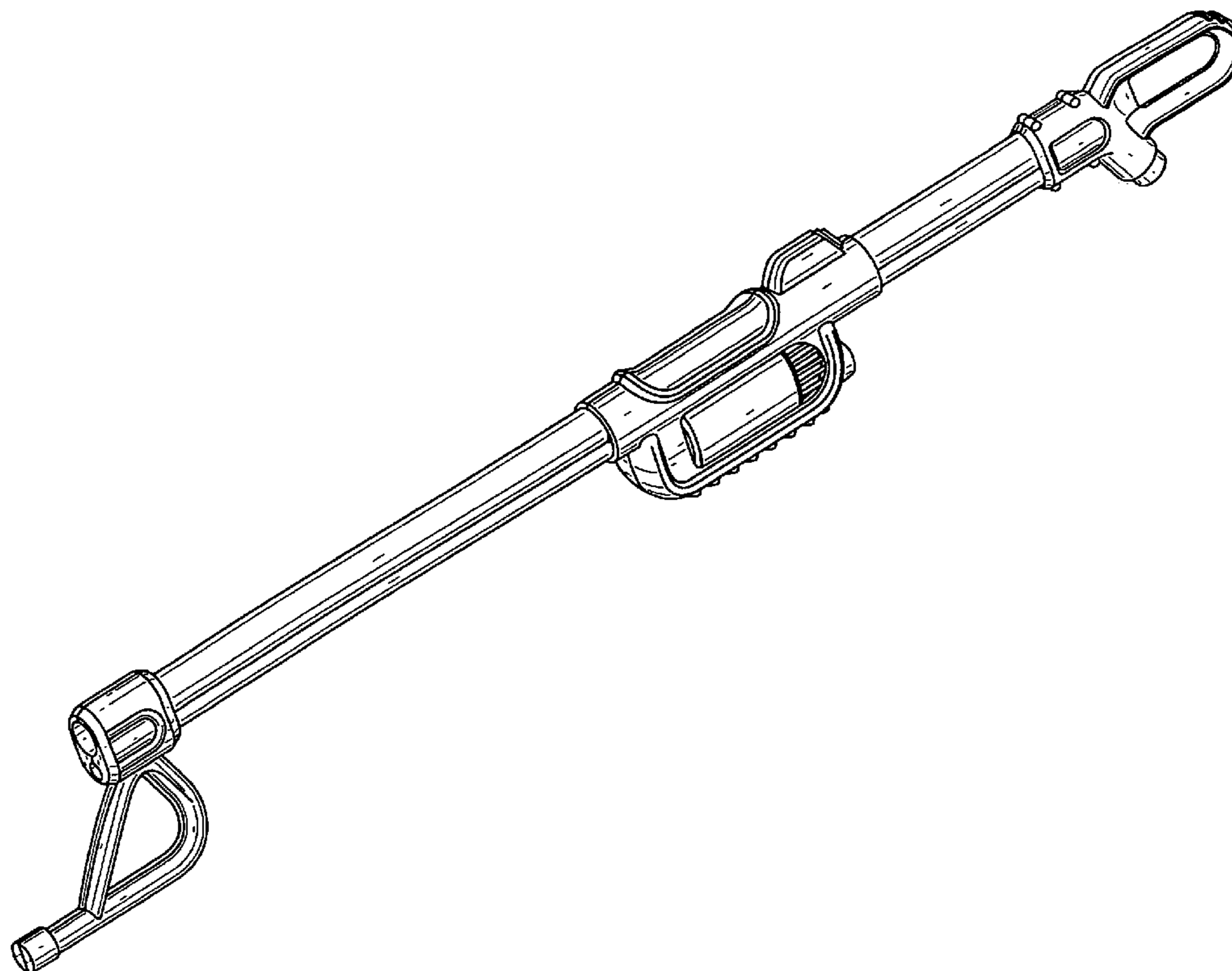
FIG. 5 is a right side view thereof.

FIG. 6 is a left side view thereof.

FIG. 7 is top view thereof; and,

FIG. 8 is a bottom view thereof.

1 Claim, 5 Drawing Sheets



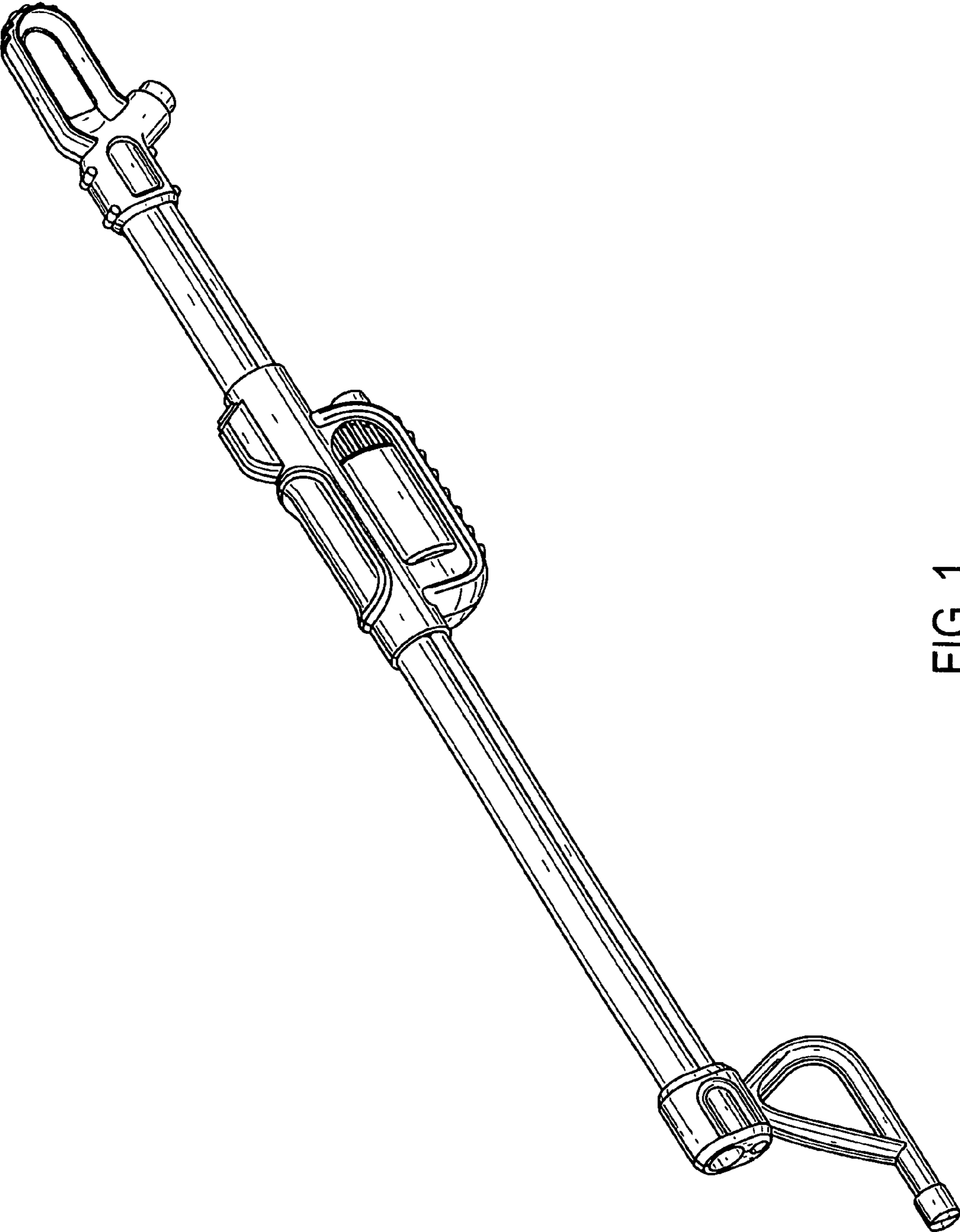


FIG. 1

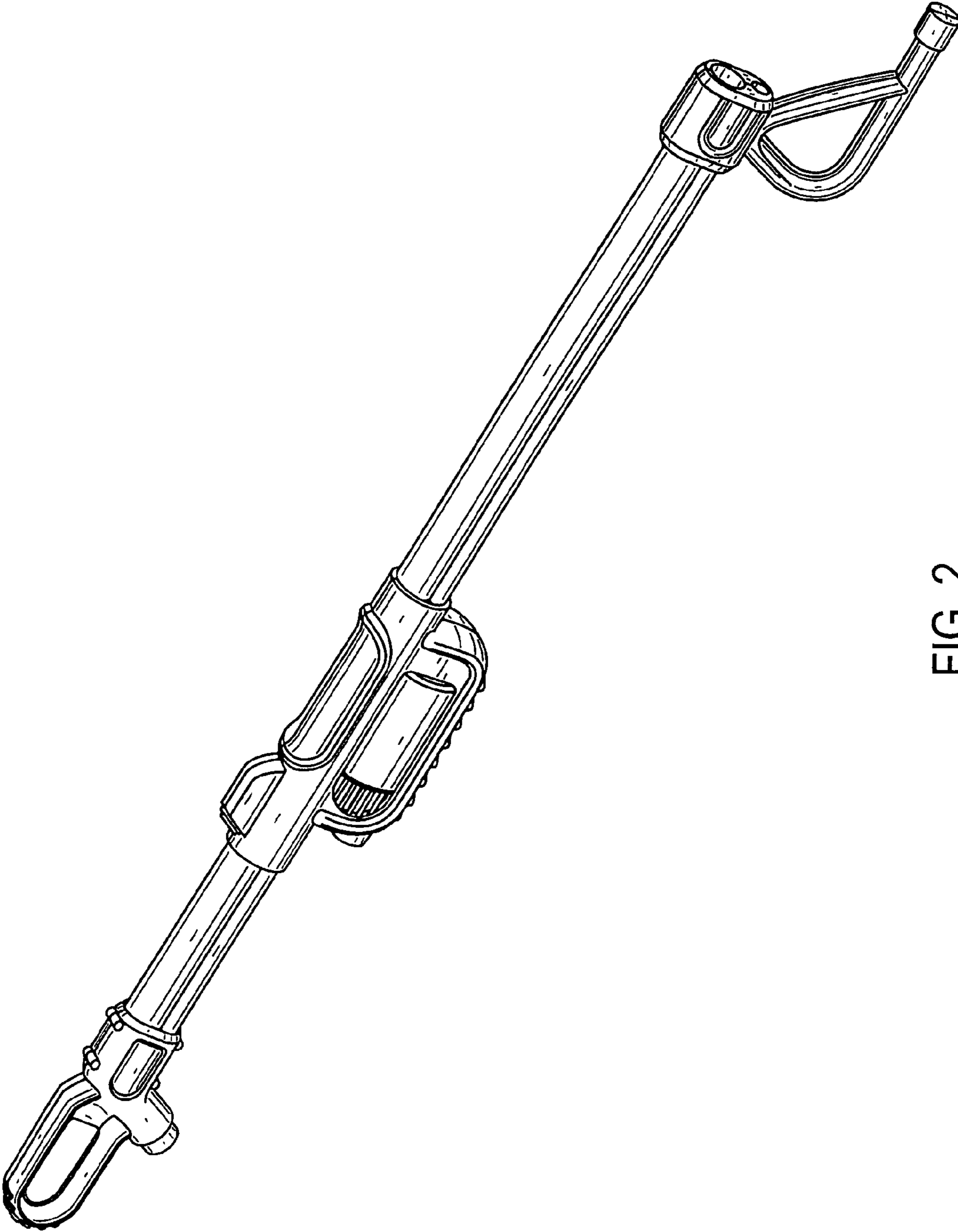


FIG. 2

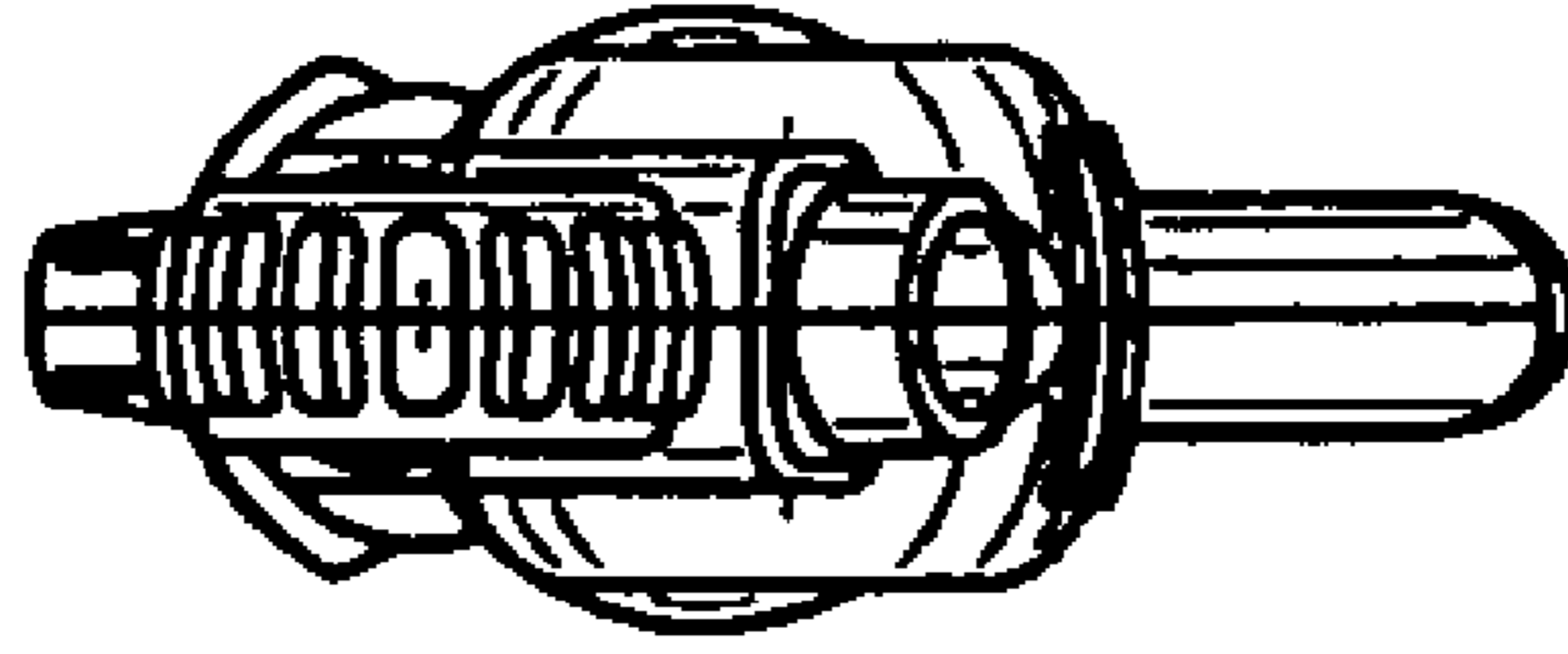


FIG. 3

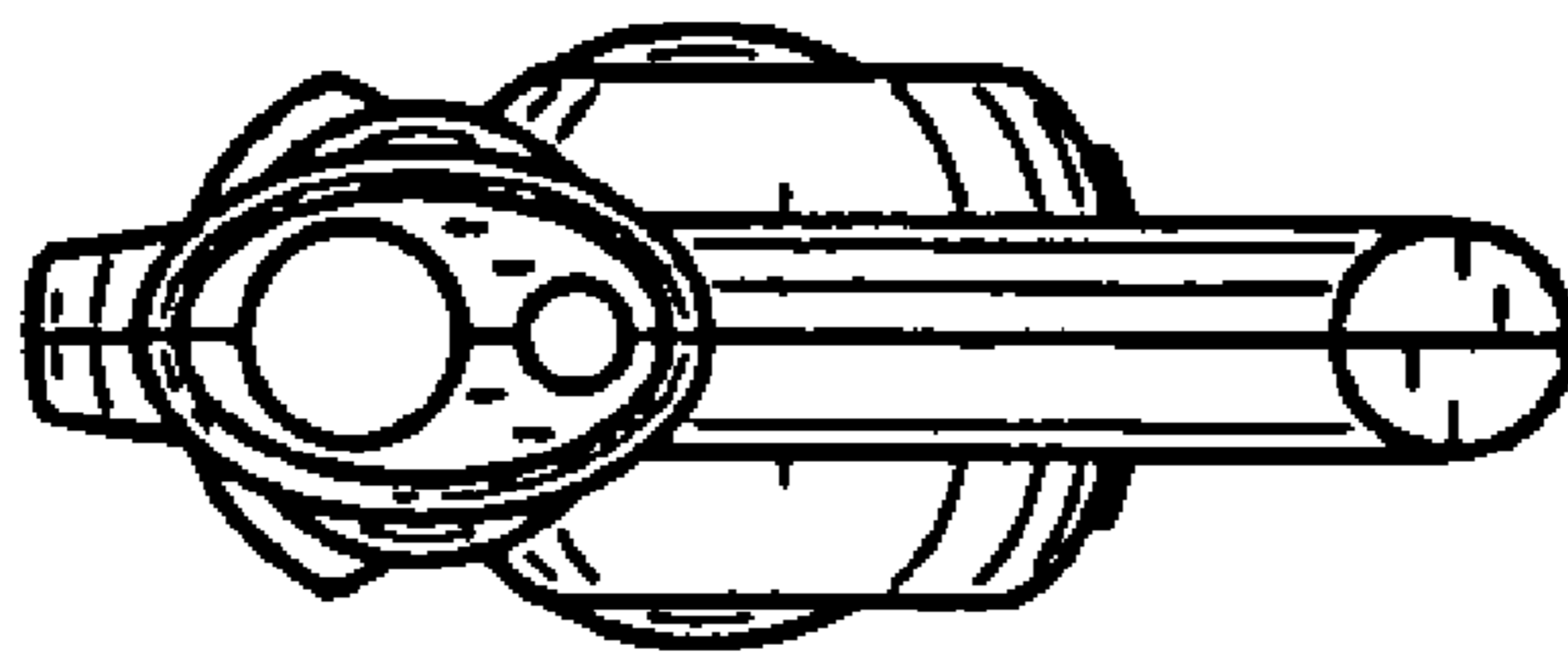


FIG. 4

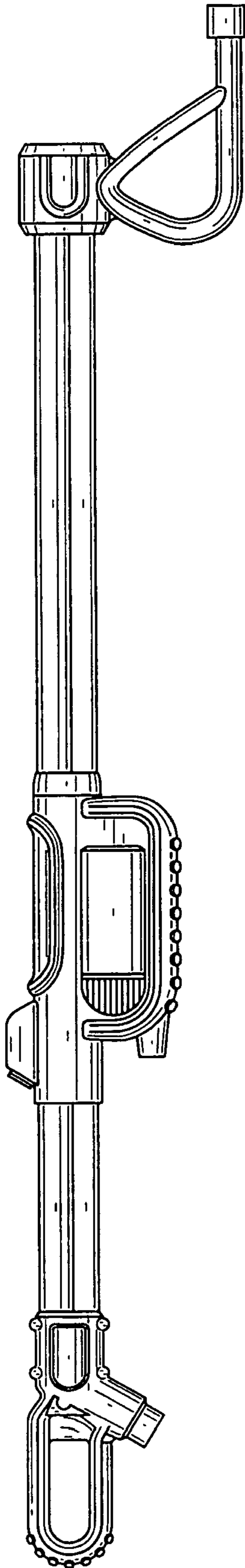


FIG. 5

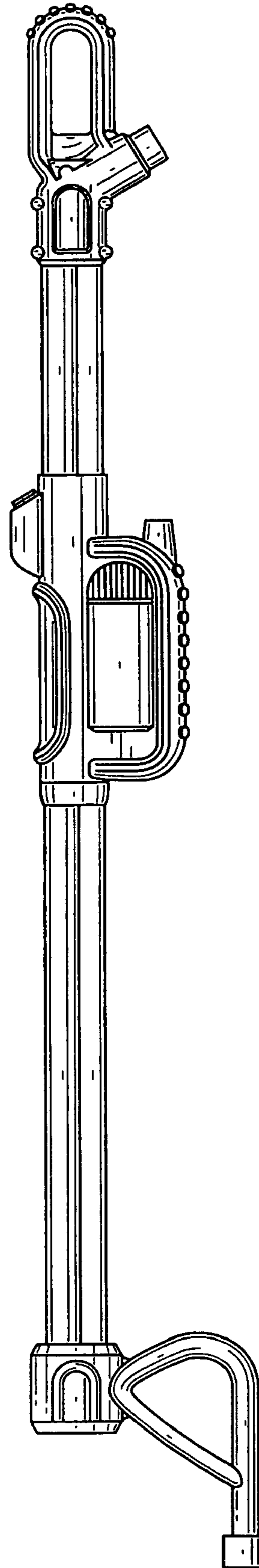


FIG. 6

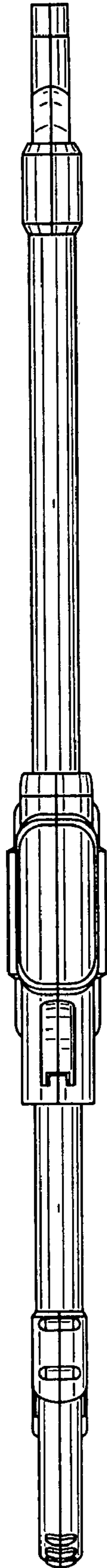


FIG. 7

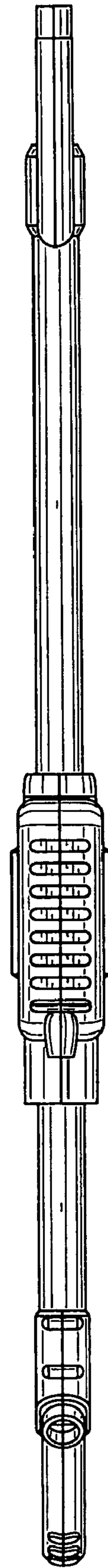


FIG. 8