

US00D564318S

(12) **United States Design Patent**
Miyazaki

(10) **Patent No.:** **US D564,318 S**
(45) **Date of Patent:** **** Mar. 18, 2008**

(54) **WIRE INSULATION STRIPPING TOOL**

6,750,431 B2 * 6/2004 Miyazaki 219/234
6,972,396 B2 * 12/2005 Miyazaki 219/229
D548,554 S * 8/2007 Miyazaki D8/51

(75) Inventor: **Mitsuhiro Miyazaki**, Osaka (JP)

(73) Assignee: **Hakko Corporation**, Osaka (JP)

(**) Term: **14 Years**

(21) Appl. No.: **29/272,048**

(22) Filed: **Jan. 31, 2007**

(30) **Foreign Application Priority Data**

Sep. 1, 2006 (JP) D2006-023362

(51) **LOC (8) Cl.** **08-05**

(52) **U.S. Cl.** **D8/29.1**

(58) **Field of Classification Search** D8/29.1,
D8/29.2; 81/9.4, 9.44; 219/227, 229, 230,
219/232, 233, 234
See application file for complete search history.

(56) **References Cited**

U.S. PATENT DOCUMENTS

3,237,489 A * 3/1966 Trethewey et al. 81/9.44
3,752,017 A * 8/1973 Lloyd et al. 81/9.44
4,553,021 A * 11/1985 Conti 219/234
5,257,555 A * 11/1993 Saunders et al. 81/9.44
5,309,795 A * 5/1994 Pierrot 81/9.4
5,351,580 A * 10/1994 Potesta et al. 81/9.44
D381,880 S * 8/1997 LaValley et al. D8/29.2
5,690,847 A * 11/1997 LaValley et al. 219/233

OTHER PUBLICATIONS

Hakko's Product Catalogue p. 48 "FT-800 Thermal Wire Stripper"
Rev. Jun. 2006.

* cited by examiner

Primary Examiner—Philip S. Hyder

(74) *Attorney, Agent, or Firm*—Squire Sanders & Dempsey
LLP

(57) **CLAIM**

The ornamental design for wire insulation stripping tool, as
shown and described.

DESCRIPTION

FIG. 1 is a perspective view of wire insulation stripping tool;

FIG. 2 is a front view thereof;

FIG. 3 is a rear view thereof;

FIG. 4 is a right side view thereof; and,

FIG. 5 is a bottom view thereof.

The portion shown by broken lines is for illustrative pur-
poses only and forms no part of the claimed design. The
dashed lines show a borderline between the claimed design
and other portion.

1 Claim, 3 Drawing Sheets

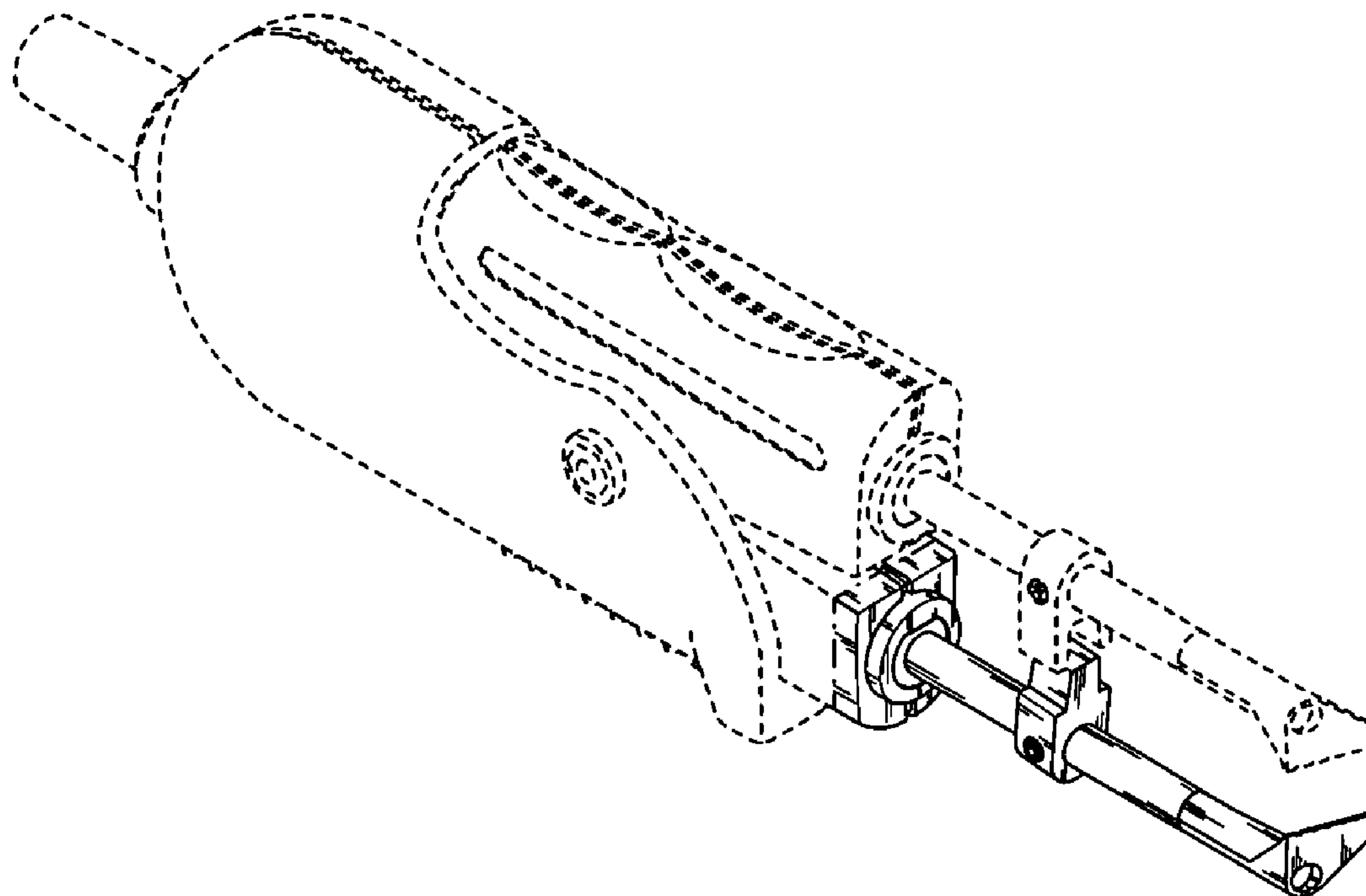


Fig. 1

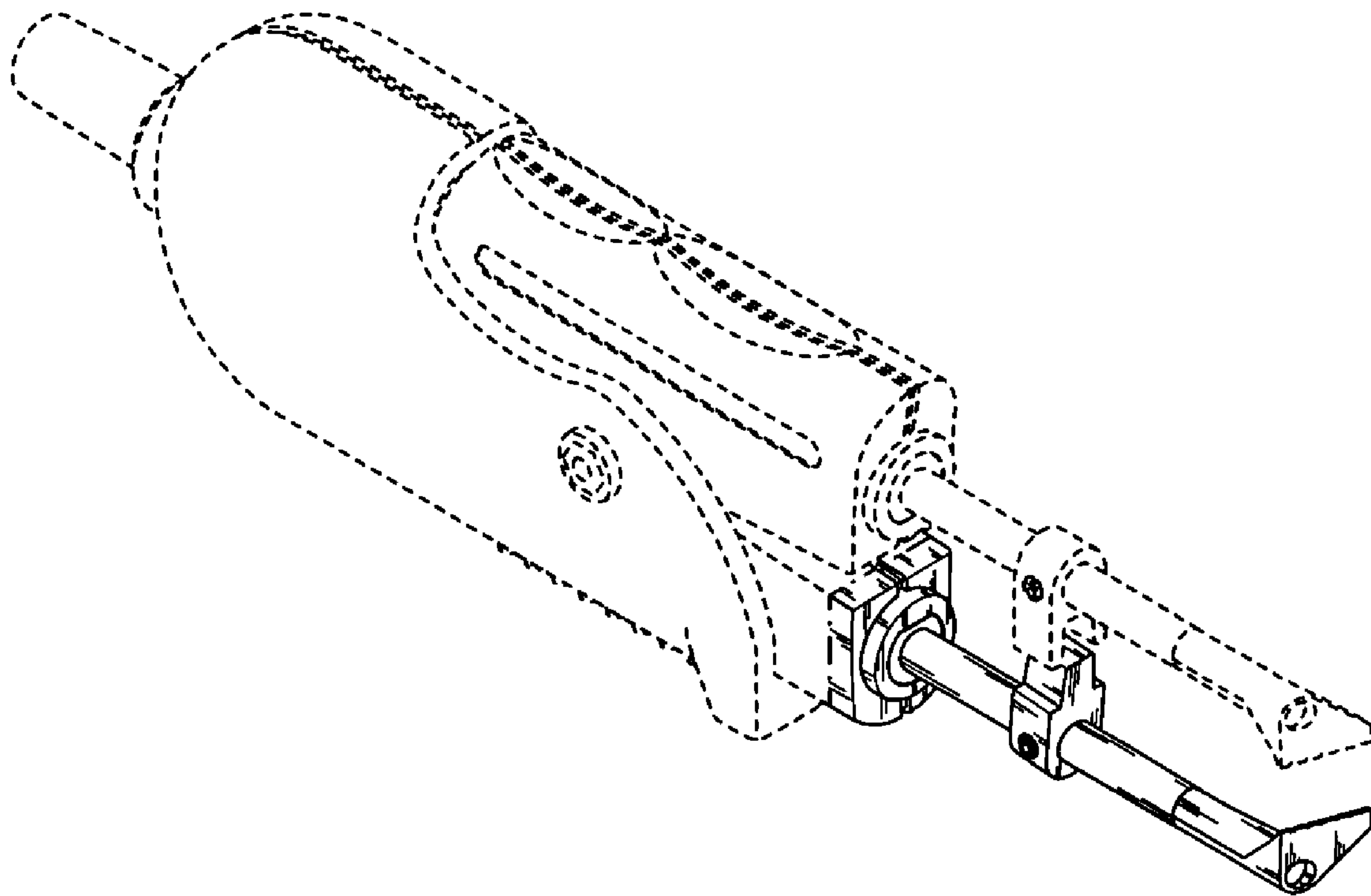


Fig.2

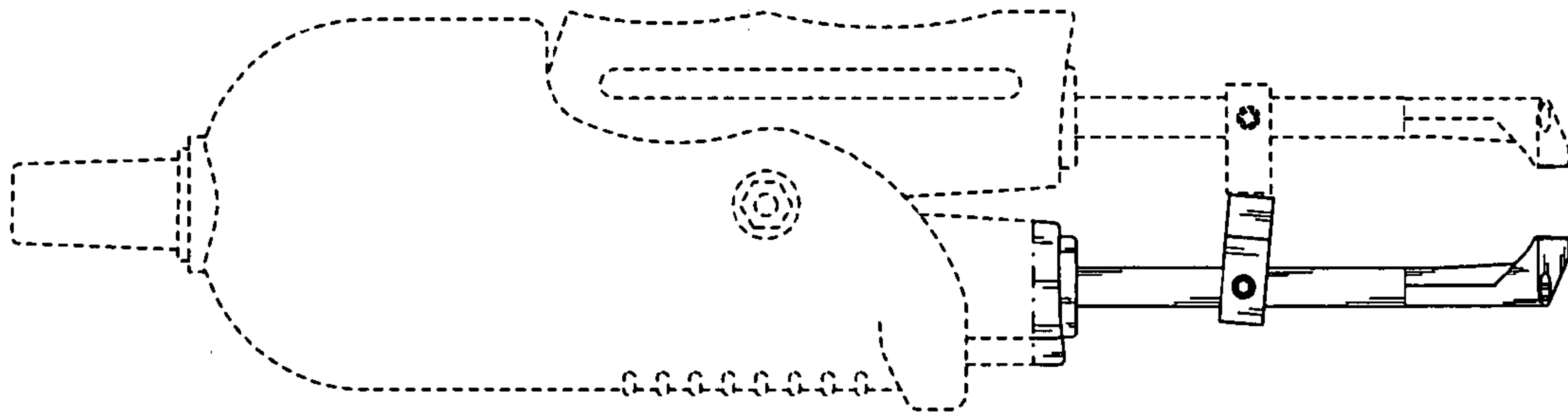


Fig.3

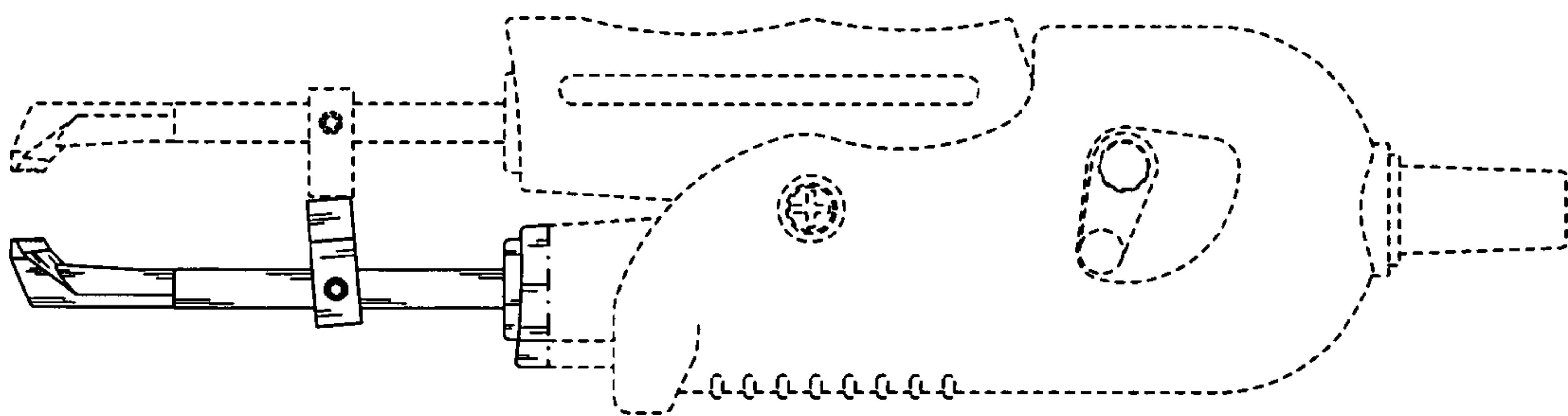


Fig.4

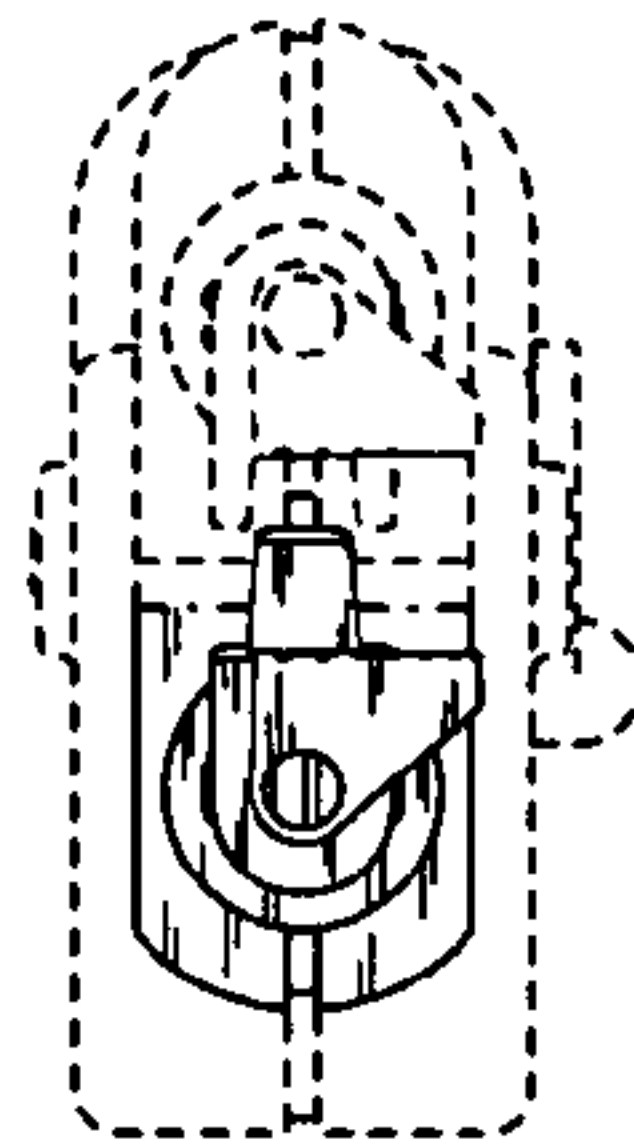


Fig.5

