



US00D564317S

(12) **United States Design Patent**
Le Drappier

(10) **Patent No.:** **US D564,317 S**

(45) **Date of Patent:** **** Mar. 18, 2008**

(54) **GAS GUN FOR SHRINK-WRAPPING**

(75) Inventor: **Christopher Le Drappier**, Paris (FR)

(73) Assignee: **Guilbert Express**, Paris (FR)

(**) Term: **14 Years**

(21) Appl. No.: **29/257,530**

(22) Filed: **Apr. 6, 2006**

(30) **Foreign Application Priority Data**

Oct. 6, 2005 (EM) 000417365-0001

(51) **LOC (8) Cl.** **08-05**

(52) **U.S. Cl.** **D8/29.1**

(58) **Field of Classification Search** D8/29.1,
D8/29.2, 30; 431/354; 392/385, 384; 126/236.01;
219/533, 227, 228

See application file for complete search history.

(56) **References Cited**

U.S. PATENT DOCUMENTS

- D304,011 S * 10/1989 Seraphin et al. D8/29.1
- 4,996,972 A * 3/1991 Poston 126/263.01
- D328,694 S * 8/1992 Courrage D8/30
- 5,671,321 A * 9/1997 Bagnuolo 392/385
- 6,227,846 B1 * 5/2001 Zagoroff 431/345

6,304,720 B1 * 10/2001 Richard 392/385

* cited by examiner

Primary Examiner—Philip S. Hyder

(74) *Attorney, Agent, or Firm*—Sughrue Mion, PLLC

(57) **CLAIM**

The ornamental design for a gas gun for shrink-wrapping, showing my new design.

DESCRIPTION

FIG. 1 is a right side elevational view of a gas gun for shrink wrapping showing my new design;

FIG. 2 is a left side elevational view thereof;

FIG. 3 is a top plan view thereof;

FIG. 4 is a bottom plan view thereof;

FIG. 5 is a front elevational view thereof;

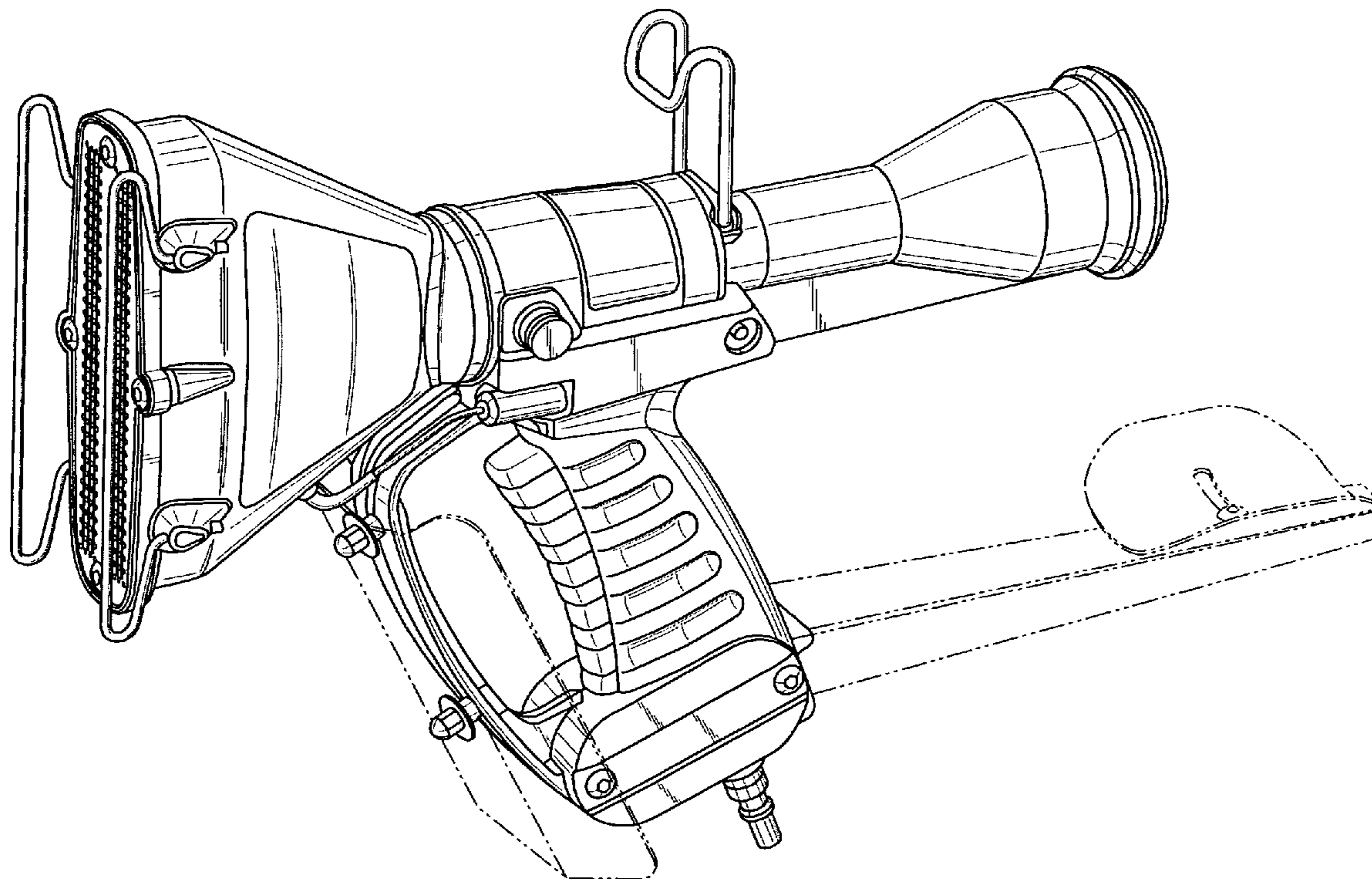
FIG. 6 is a rear elevational view thereof;

FIG. 7 is a perspective view of the top, front and right side thereof; and,

FIG. 8 is a perspective view of the top, rear and left side thereof.

The elements shown in broken lines are not part of the present design.

1 Claim, 7 Drawing Sheets



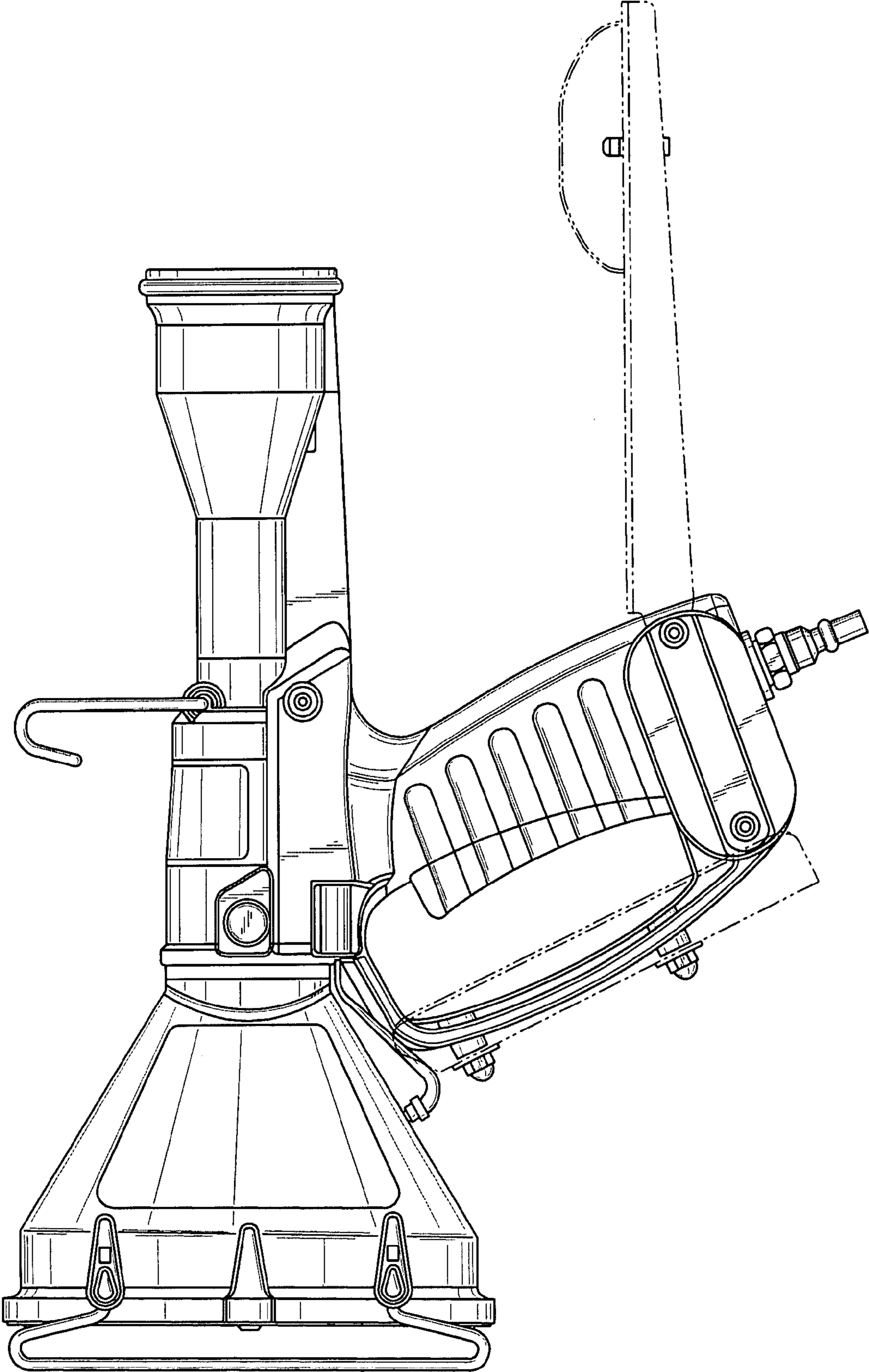


Fig. 1

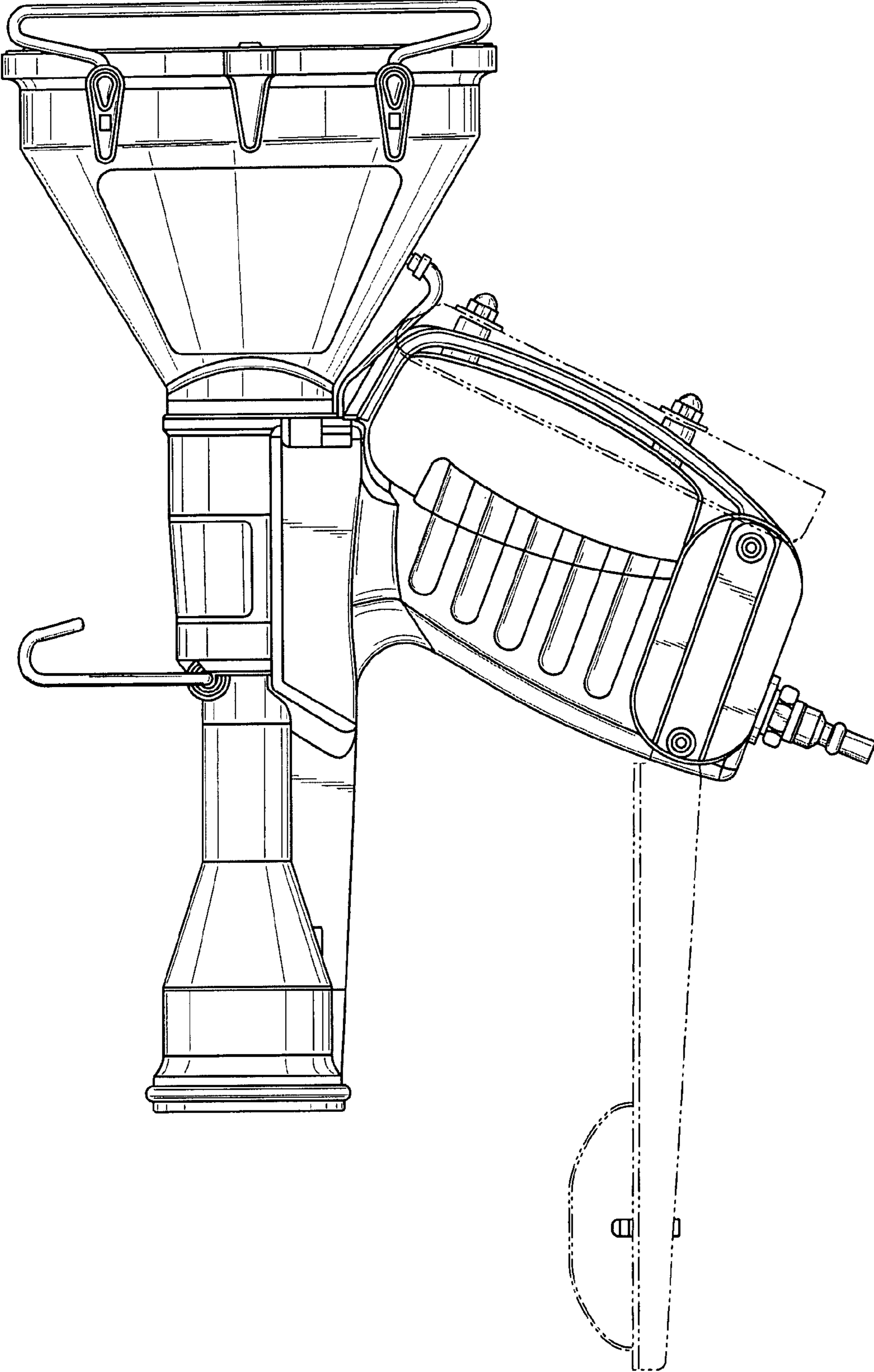


Fig. 2

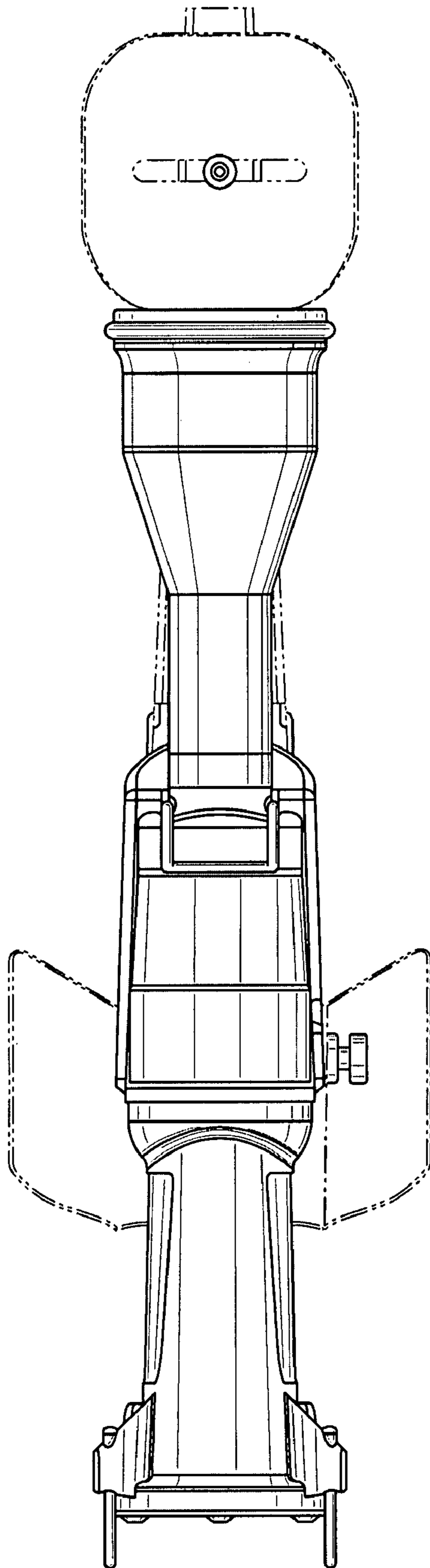


Fig. 3

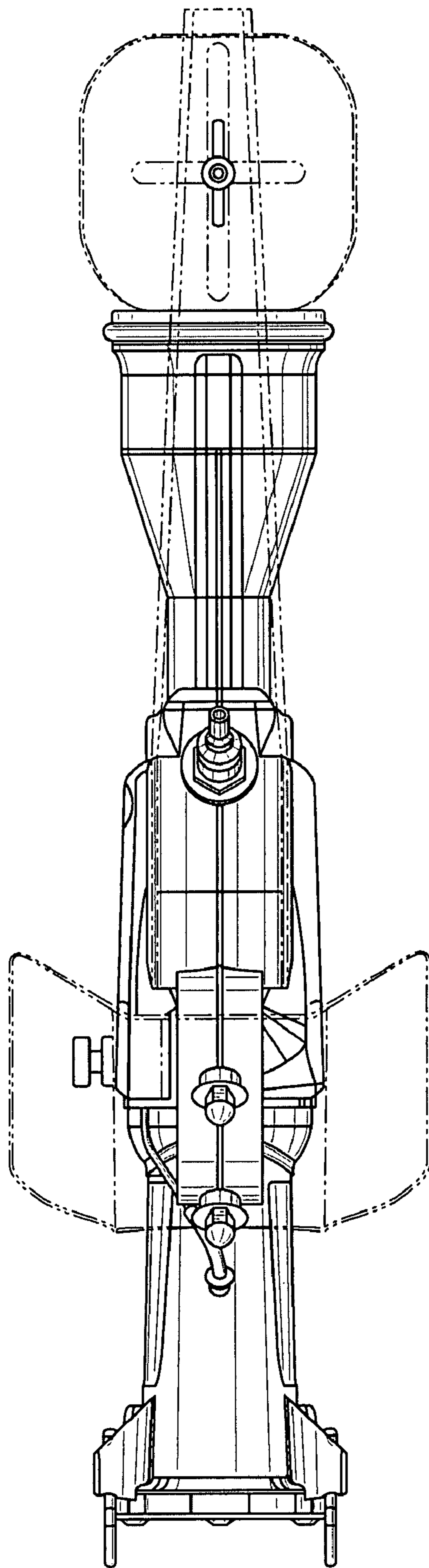


Fig. 4

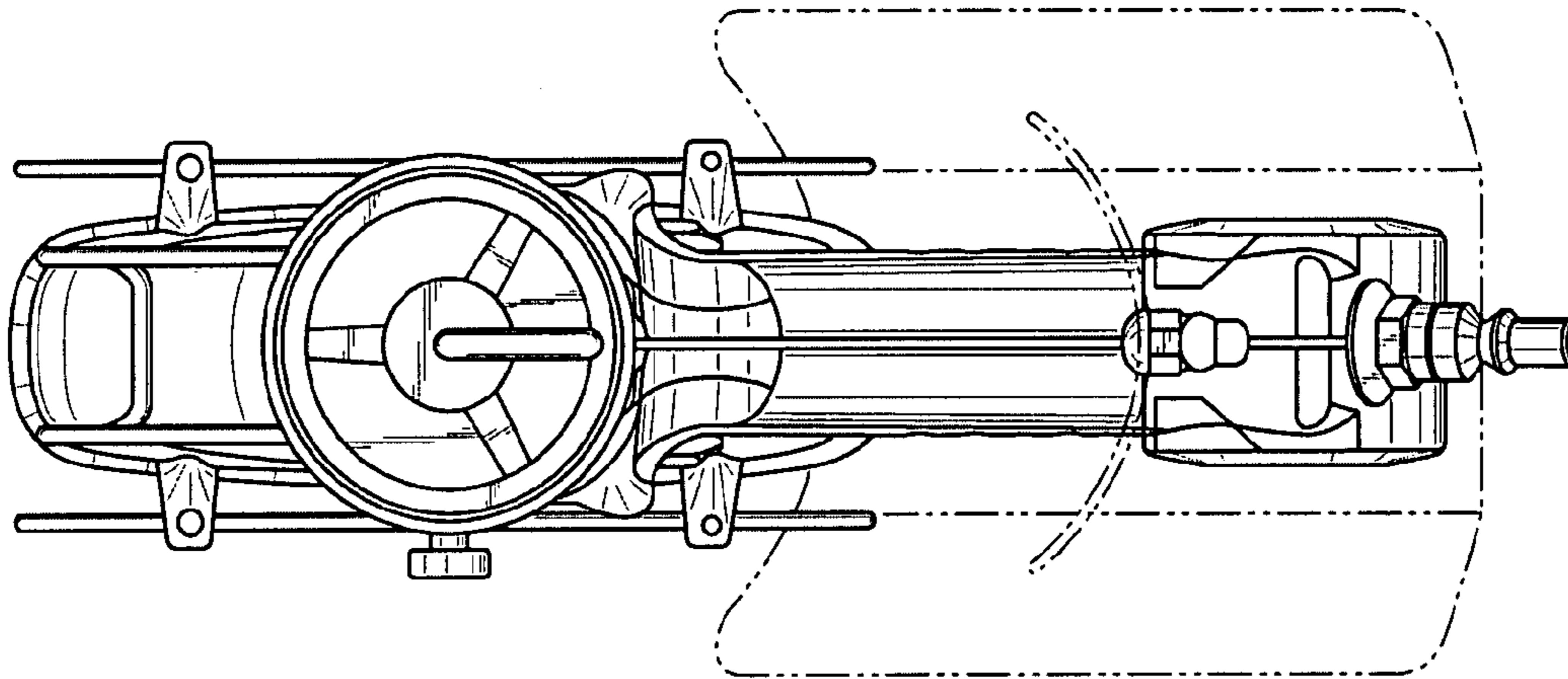


Fig. 6

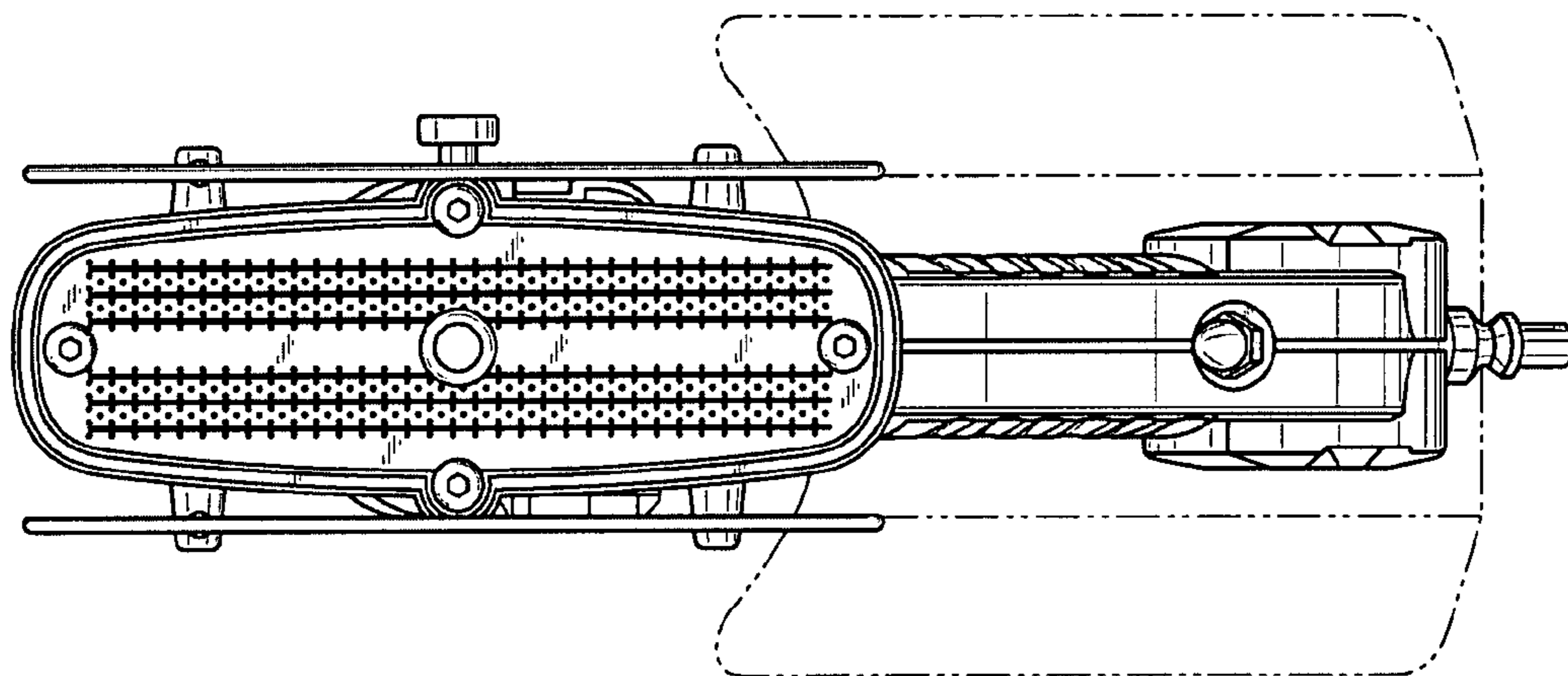


Fig. 5

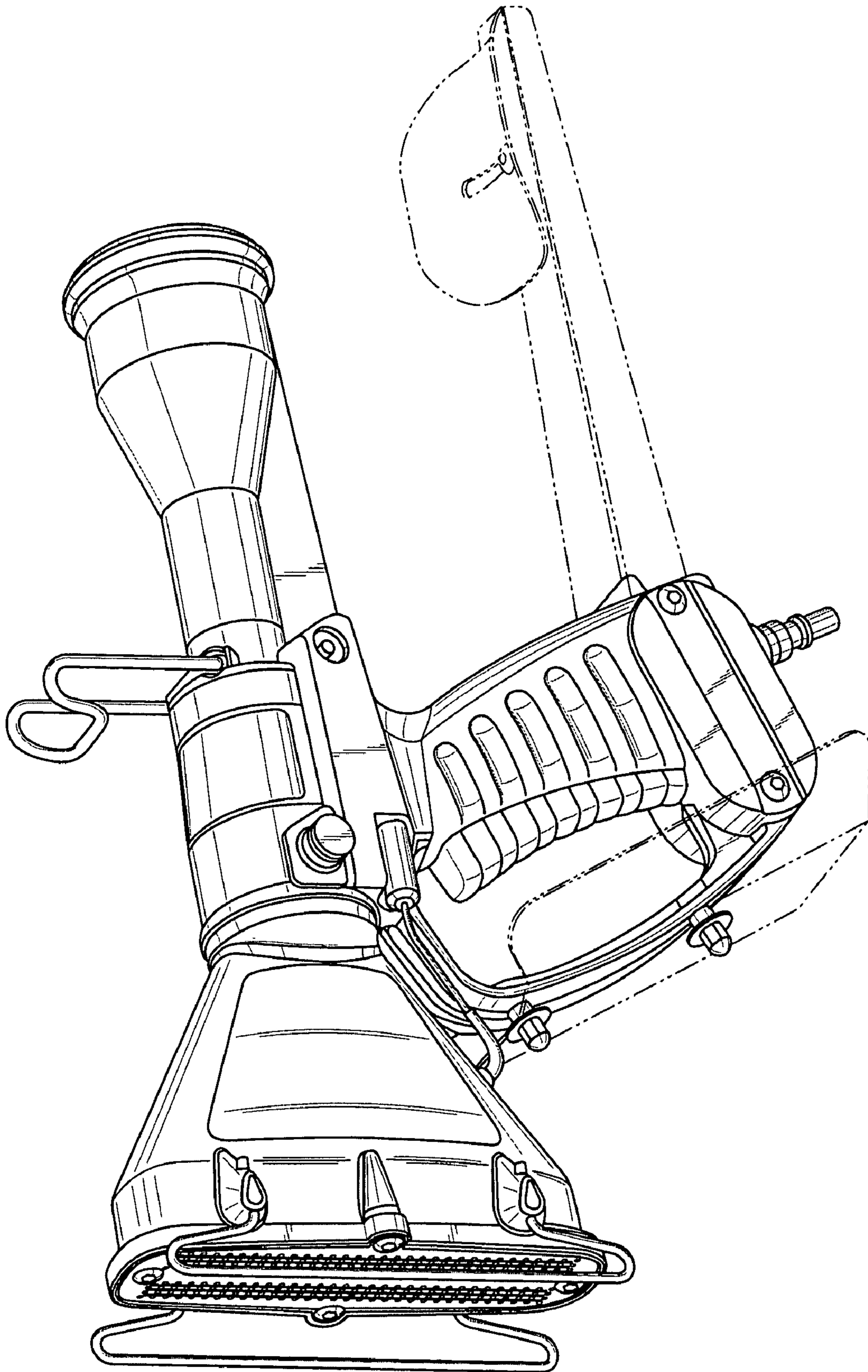


Fig. 7

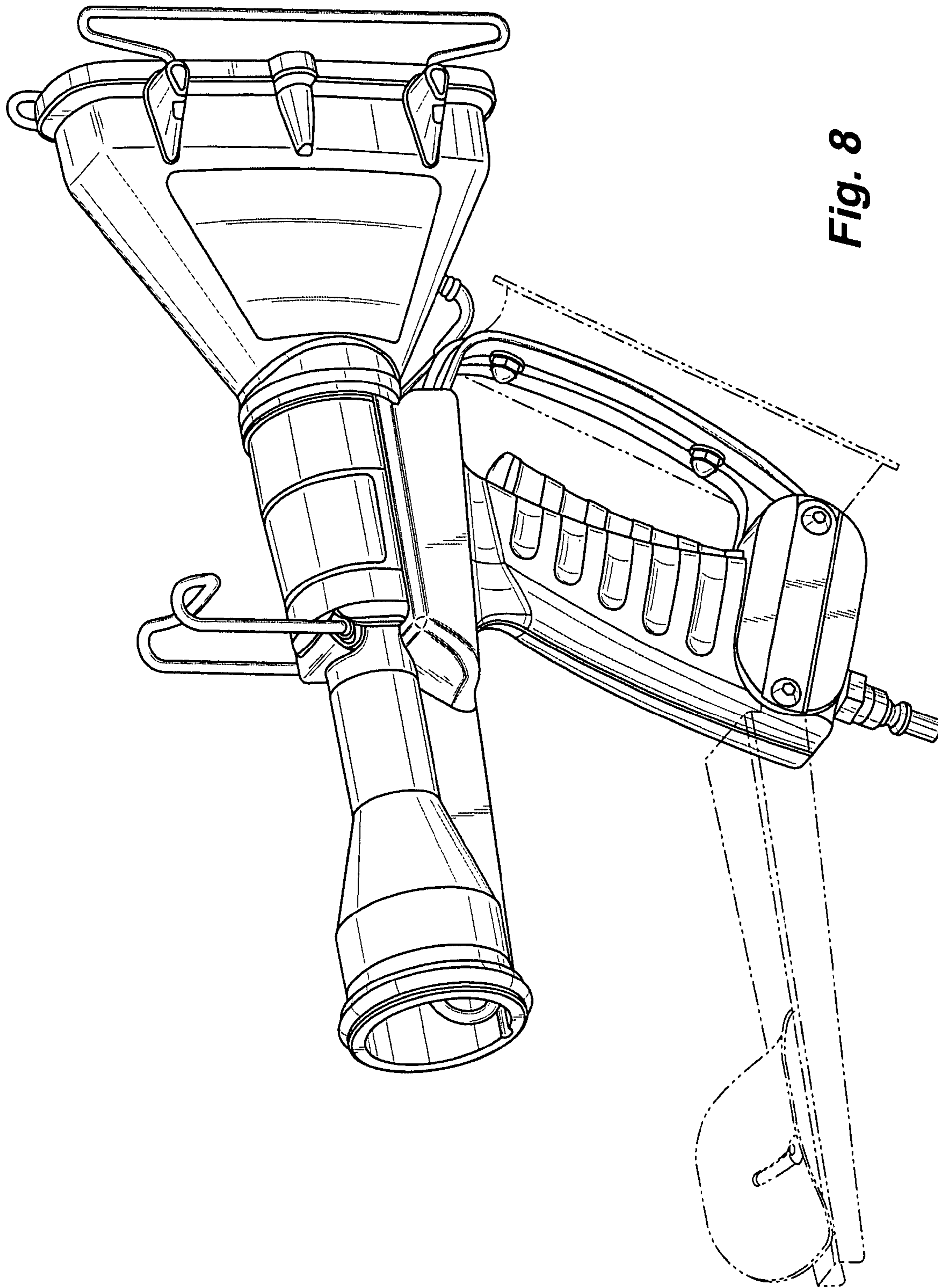


Fig. 8