



US00D564312S

(12) **United States Design Patent**
Palermo et al.

(10) **Patent No.:** **US D564,312 S**
(45) **Date of Patent:** **** Mar. 18, 2008**

- (54) **TOOL HANDLE**
- (75) Inventors: **Philip D. Palermo**, Marietta, GA (US);
Russell J. Kroll, Atlanta, GA (US)
- (73) Assignee: **Ingersoll-Rand Company**, Montvale,
NJ (US)
- (**) Term: **14 Years**
- (21) Appl. No.: **29/279,130**
- (22) Filed: **Apr. 20, 2007**

- 5,689,887 A 11/1997 Heywood et al.
- 5,850,696 A 12/1998 Sciarrone
- D408,700 S 4/1999 Juratovac et al.
- 5,926,960 A 7/1999 Heywood et al.
- 6,105,263 A 8/2000 Stones et al.
- 7,140,114 B2 11/2006 Shenker et al.

Primary Examiner—Holly H. Baynham
Assistant Examiner—Sheryl Friedman
 (74) *Attorney, Agent, or Firm*—Michael Best & Friedrich LLP

Related U.S. Application Data

- (62) Division of application No. 29/231,055, filed on May 31, 2005, now Pat. No. Des. 547,622.

- (51) **LOC (8) Cl.** **08-01**
- (52) **U.S. Cl.** **D8/8**
- (58) **Field of Classification Search** D8/1,
D8/5, 6, 8; 56/12.7, 233–237; 30/138, 208–210,
30/216, 276, 382, 383
See application file for complete search history.

(56) **References Cited**

U.S. PATENT DOCUMENTS

- 1,458,250 A 6/1923 Staudinger
- D256,769 S 9/1980 Irelan
- 4,389,779 A 6/1983 Overbury et al.
- D315,085 S 3/1991 Sepke

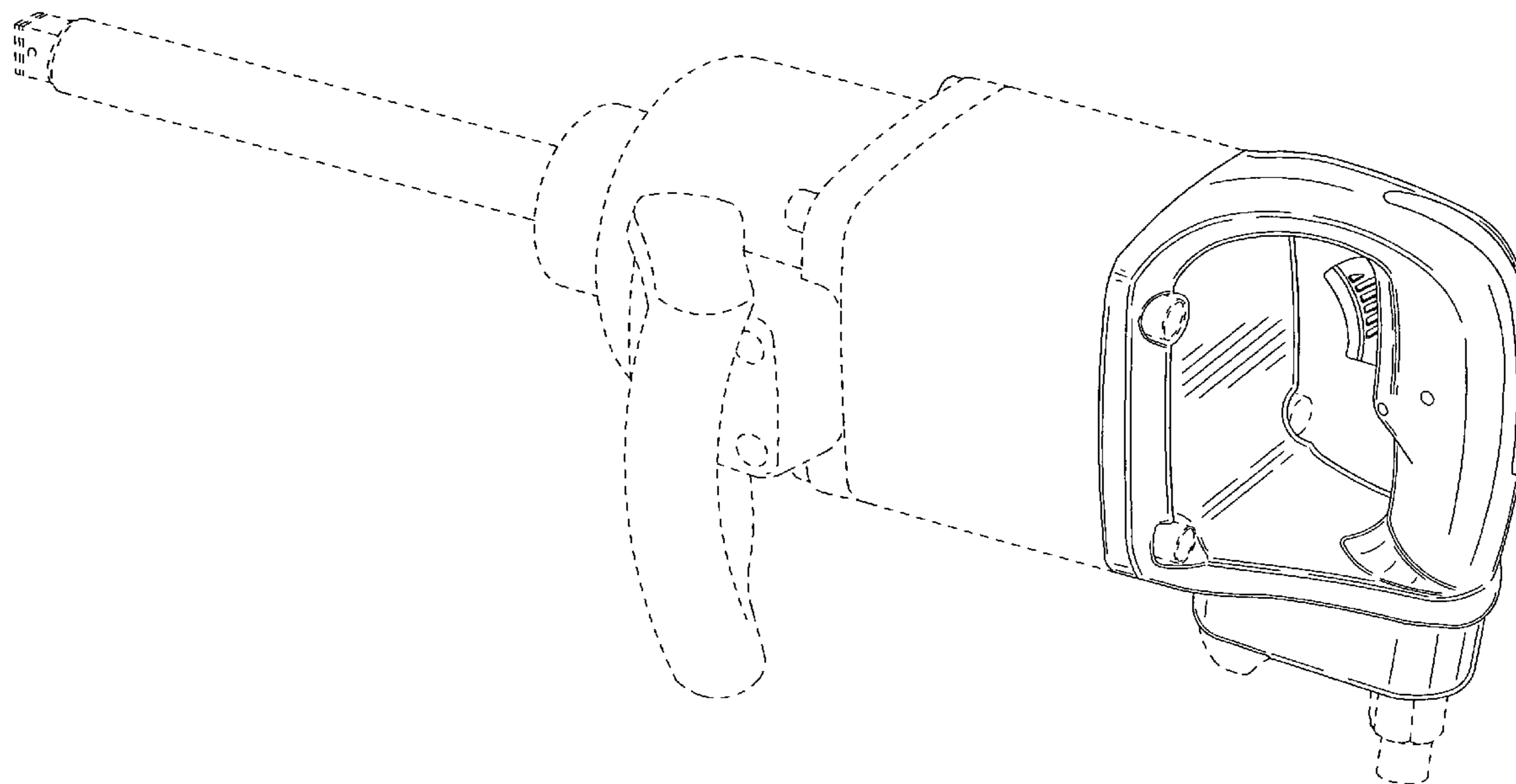
(57) **CLAIM**

We claim the ornamental design for a tool handle, as shown and described.

DESCRIPTION

FIG. 1 is a perspective view of a rear handle of a tool.
 FIG. 2 is a front end view of the handle of FIG. 1.
 FIG. 3 is a rear end view of the handle of FIG. 1.
 FIG. 4 is a top view of the handle of FIG. 1.
 FIG. 5 is a bottom view of the handle of FIG. 1.
 FIG. 6 is a left side view of the handle of FIG. 1; and,
 FIG. 7 is a right side view of the handle of FIG. 1.
 The broken line showing of the environment is for illustrative purposes only and forms no part of the claimed design.

1 Claim, 6 Drawing Sheets



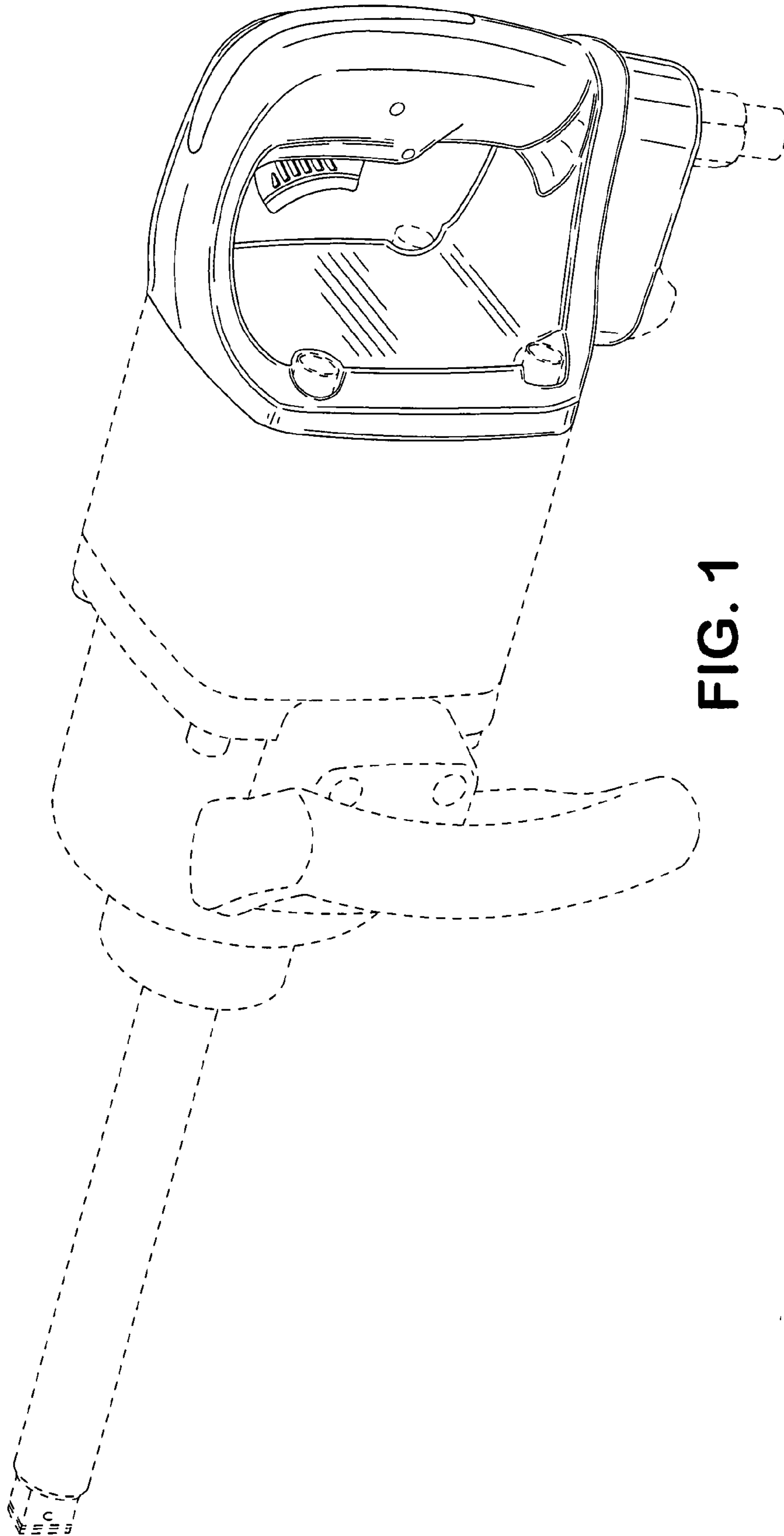


FIG. 1

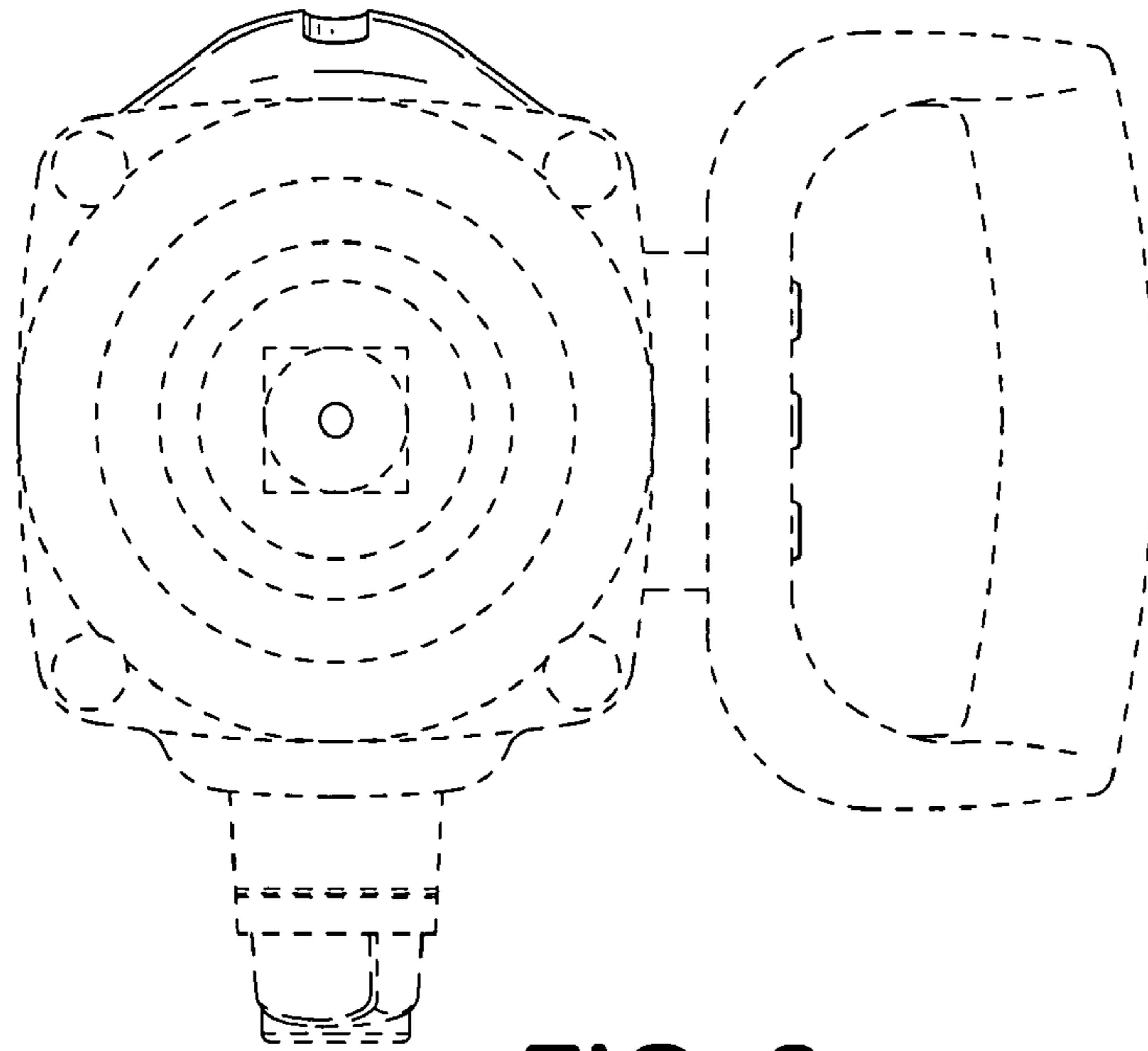


FIG. 2

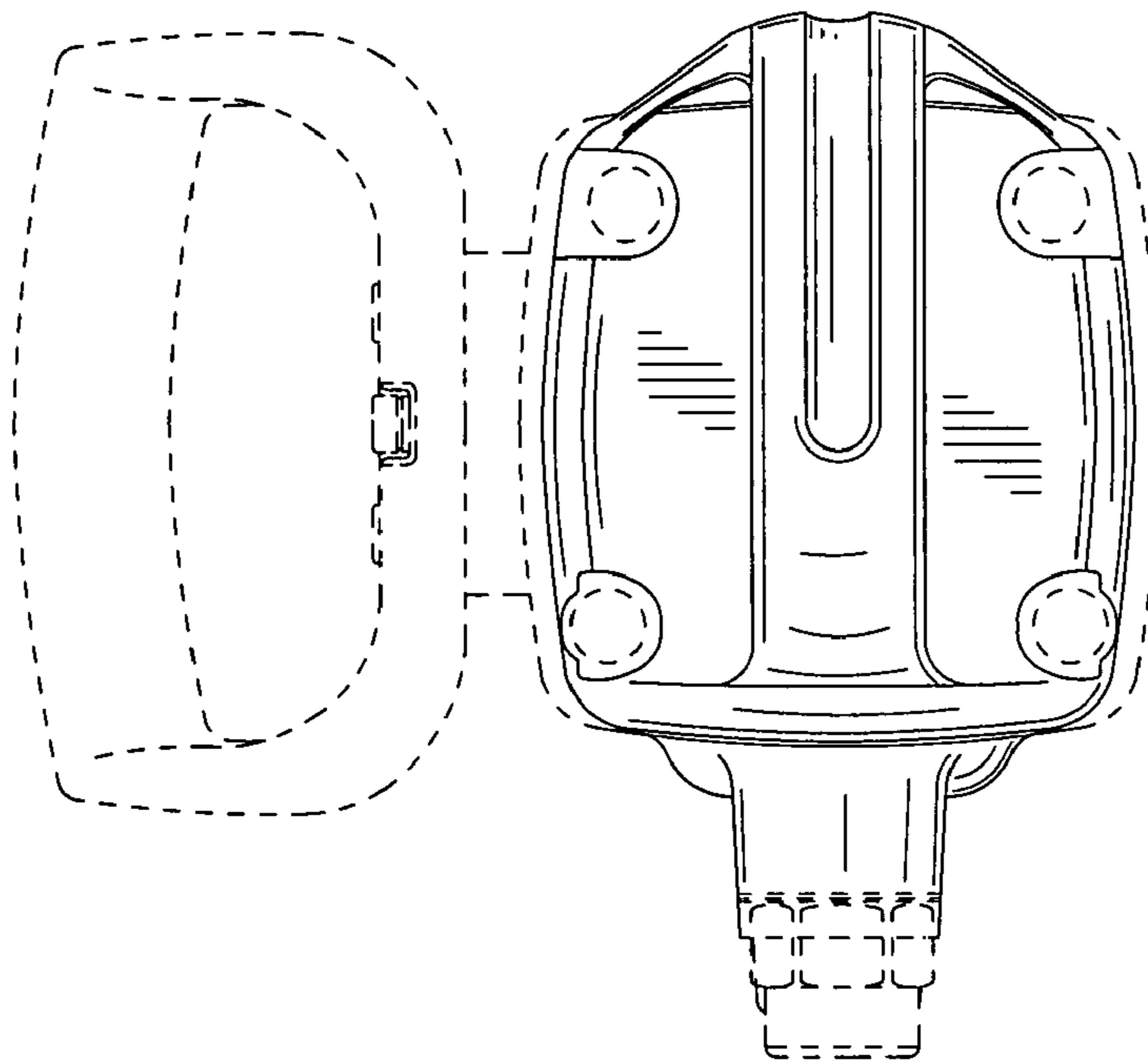


FIG. 3

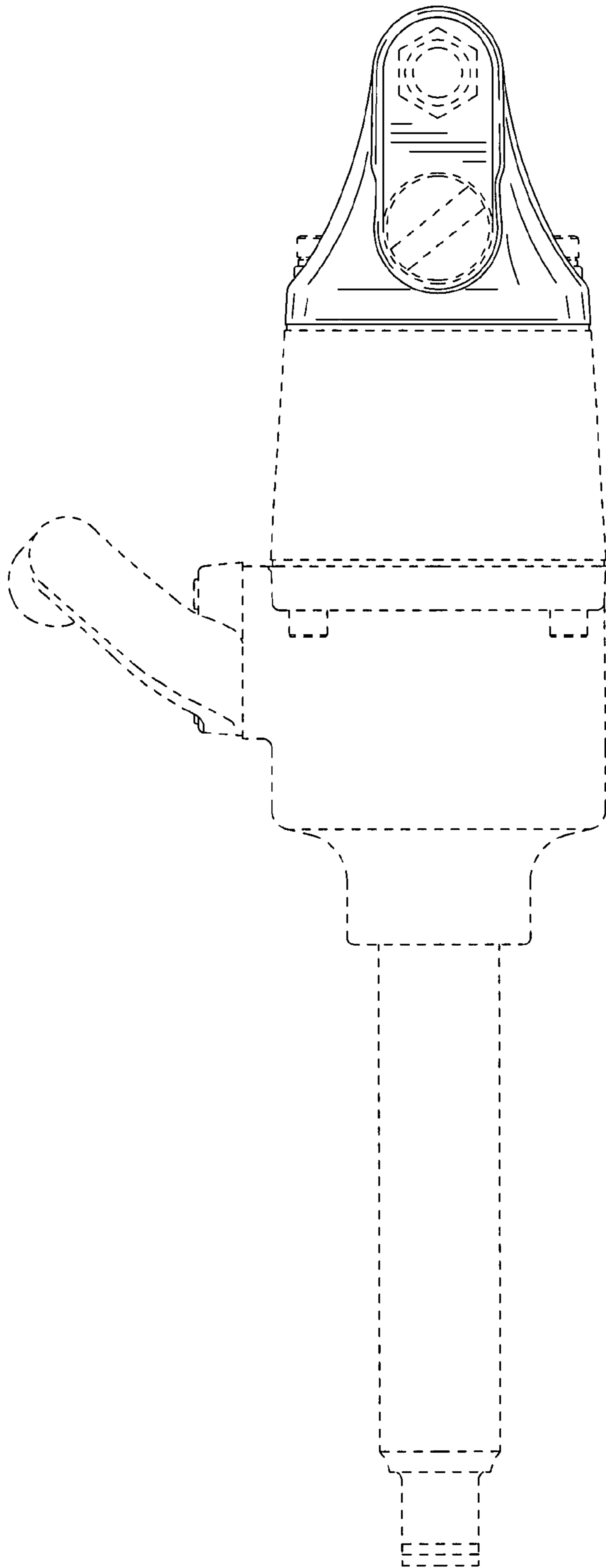


FIG. 4

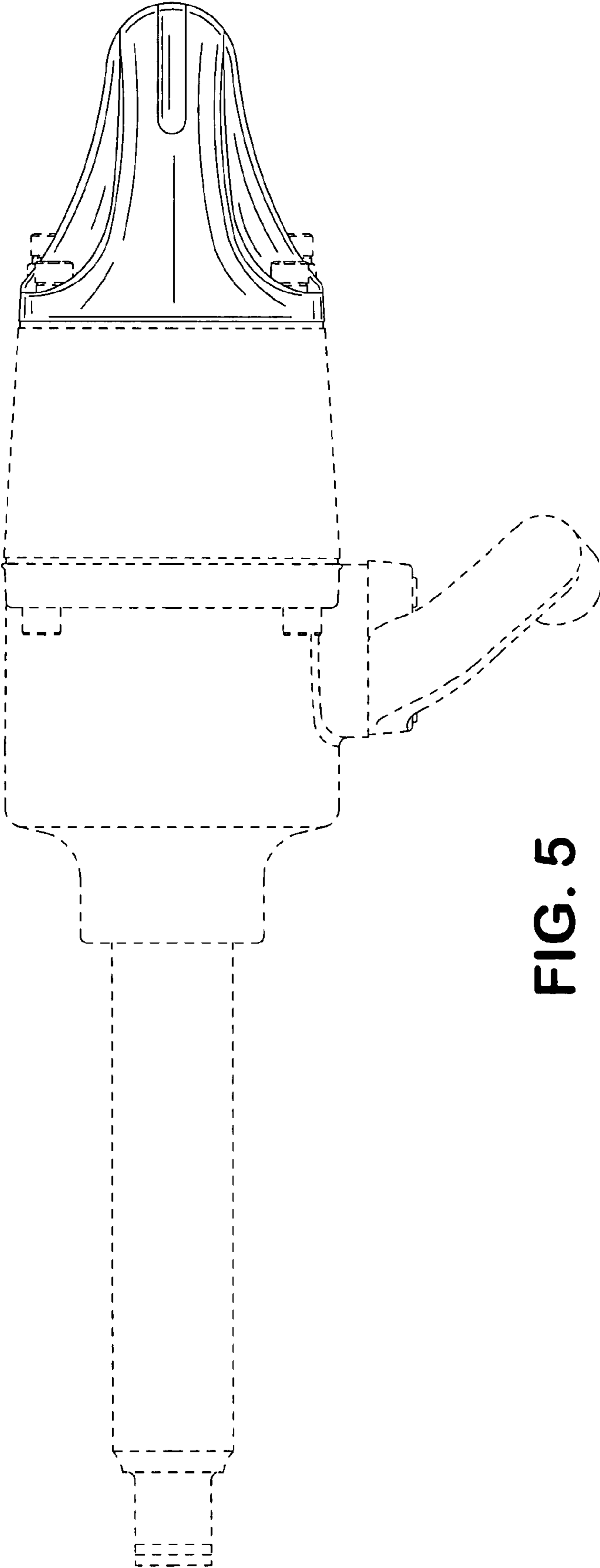


FIG. 5

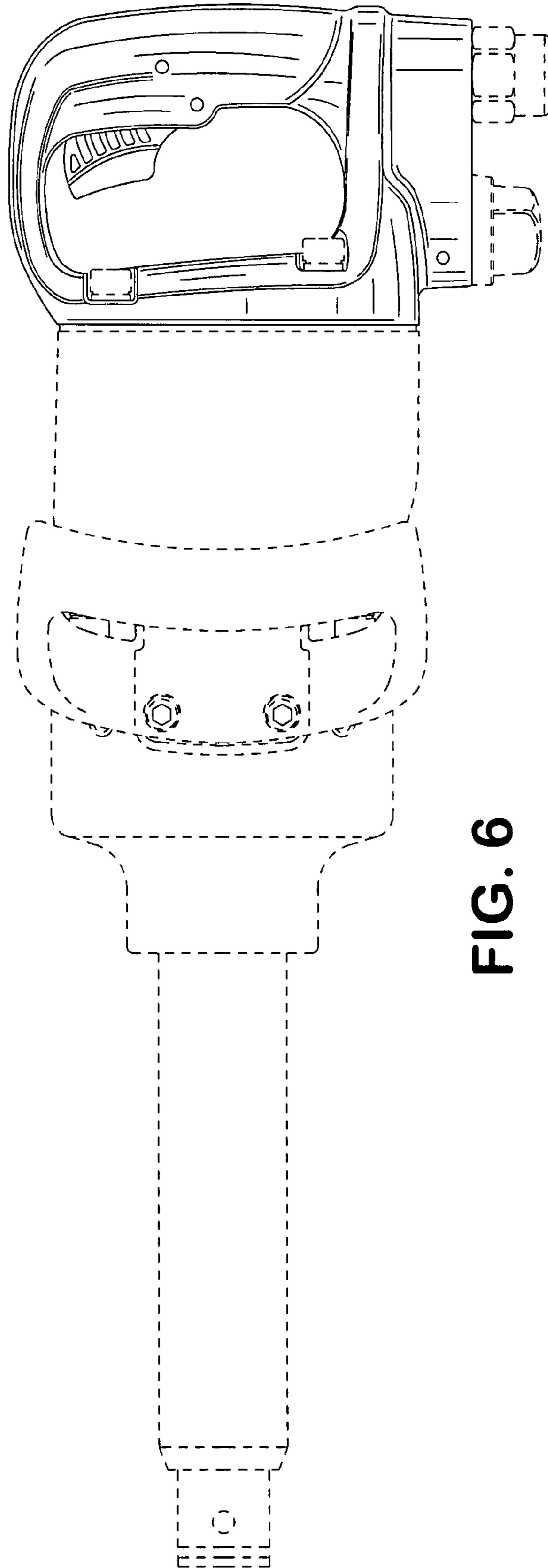


FIG. 6

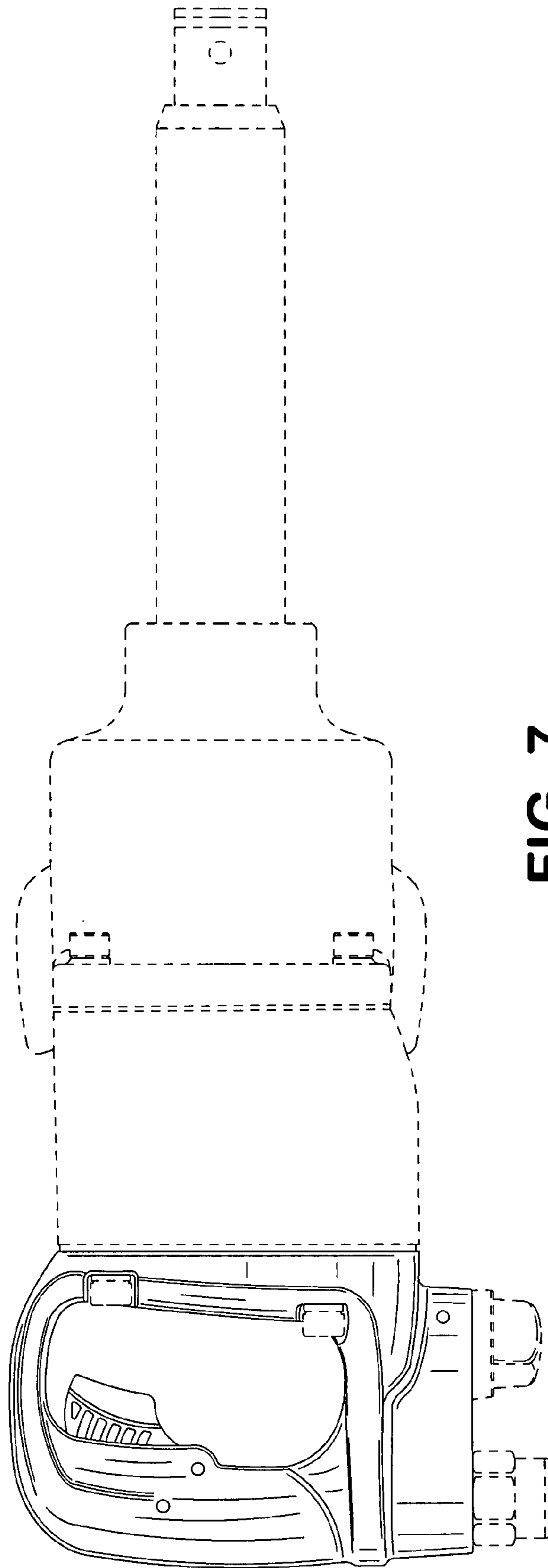


FIG. 7