



US00D564309S

(12) **United States Design Patent**
Ronan

(10) **Patent No.:** **US D564,309 S**
(45) **Date of Patent:** **** Mar. 18, 2008**

(54) **CRINKLE-CUT CUTTERS**

(76) Inventor: **John S. Ronan**, 1290 S. Santa Fe Ave.,
San Jacinto, CA (US) 92583

(**) Term: **14 Years**

(21) Appl. No.: **29/286,266**

(22) Filed: **Apr. 30, 2007**

(51) **LOC (8) Cl.** **07-04**

(52) **U.S. Cl.** **D7/696**

(58) **Field of Classification Search** D7/693,
D7/696; 7/125, 129, 132-135; D8/55-58;
30/122, 146, 134, 142, 149, 150, 194, 223,
30/258, 260, 262, 304, 252-254, 279.2
See application file for complete search history.

(56) **References Cited**

U.S. PATENT DOCUMENTS

- 6,038,772 A * 3/2000 Cornell et al. 30/233
- 6,308,421 B1 * 10/2001 Wang 30/178
- 6,647,627 B2 * 11/2003 Nickel 30/135
- D483,627 S 12/2003 Ronan et al.
- D503,875 S 4/2005 Ronan et al.

7,080,455 B1 7/2006 Ronan et al.

* cited by examiner

Primary Examiner—Terry A Wallace

(74) *Attorney, Agent, or Firm*—Loyal McKinley Hanson

(57) **CLAIM**

I claim the ornamental design for a crinkle-cut cutters, as shown and described.

DESCRIPTION

FIG. 1 of the drawings is a perspective view showing the front, top, and right side of a crinkle-cut cutters embodying the design of my invention;

FIG. 2 is an elevation view of the right side of the crinkle-cut cutters;

FIG. 3 is a top plan view;

FIG. 4 is an elevation view of the front;

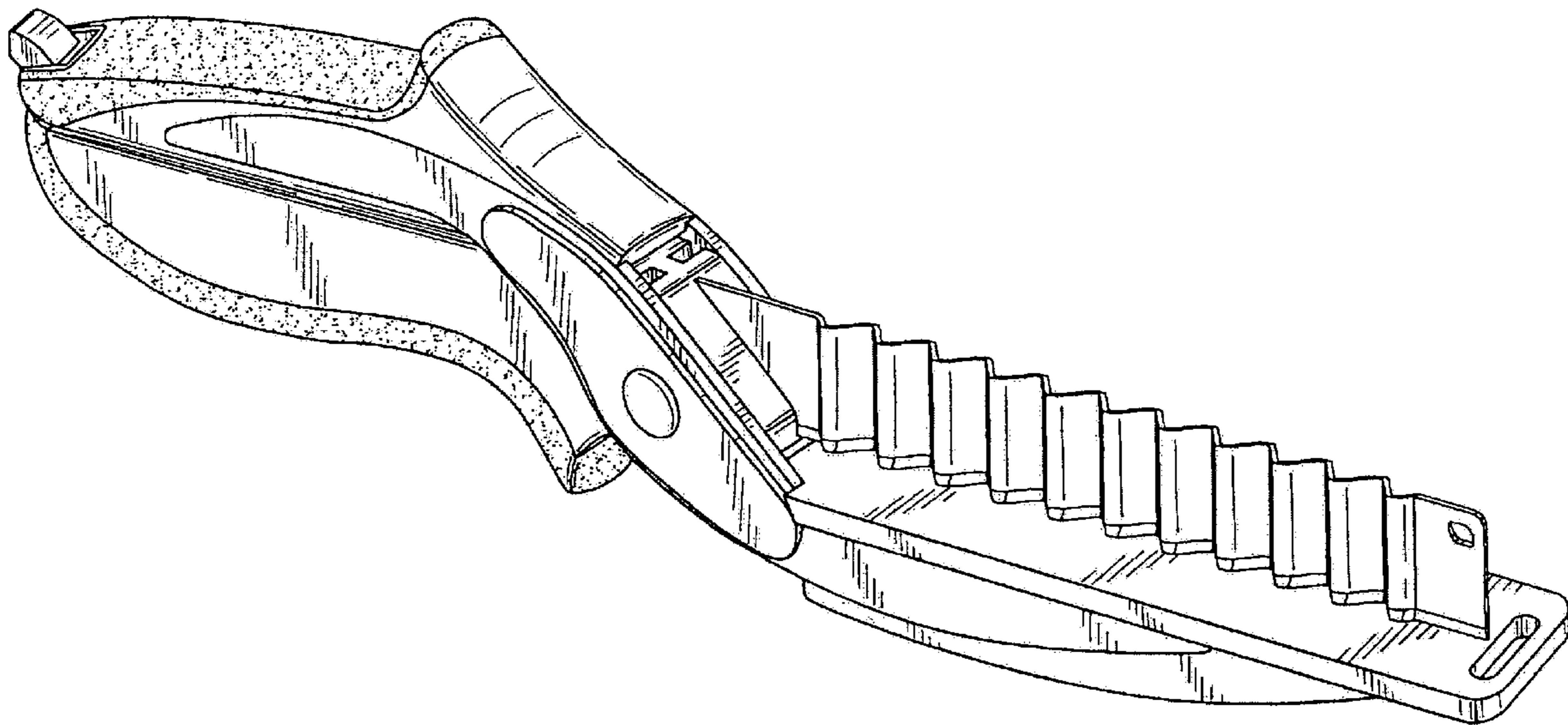
FIG. 5 is an elevation view of the left side;

FIG. 6 is an elevation view of the back;

FIG. 7 is a bottom plan view; and,

FIG. 8 is a perspective view similar to FIG. 1, but with the crinkle-cut cutters in an open configuration.

1 Claim, 4 Drawing Sheets



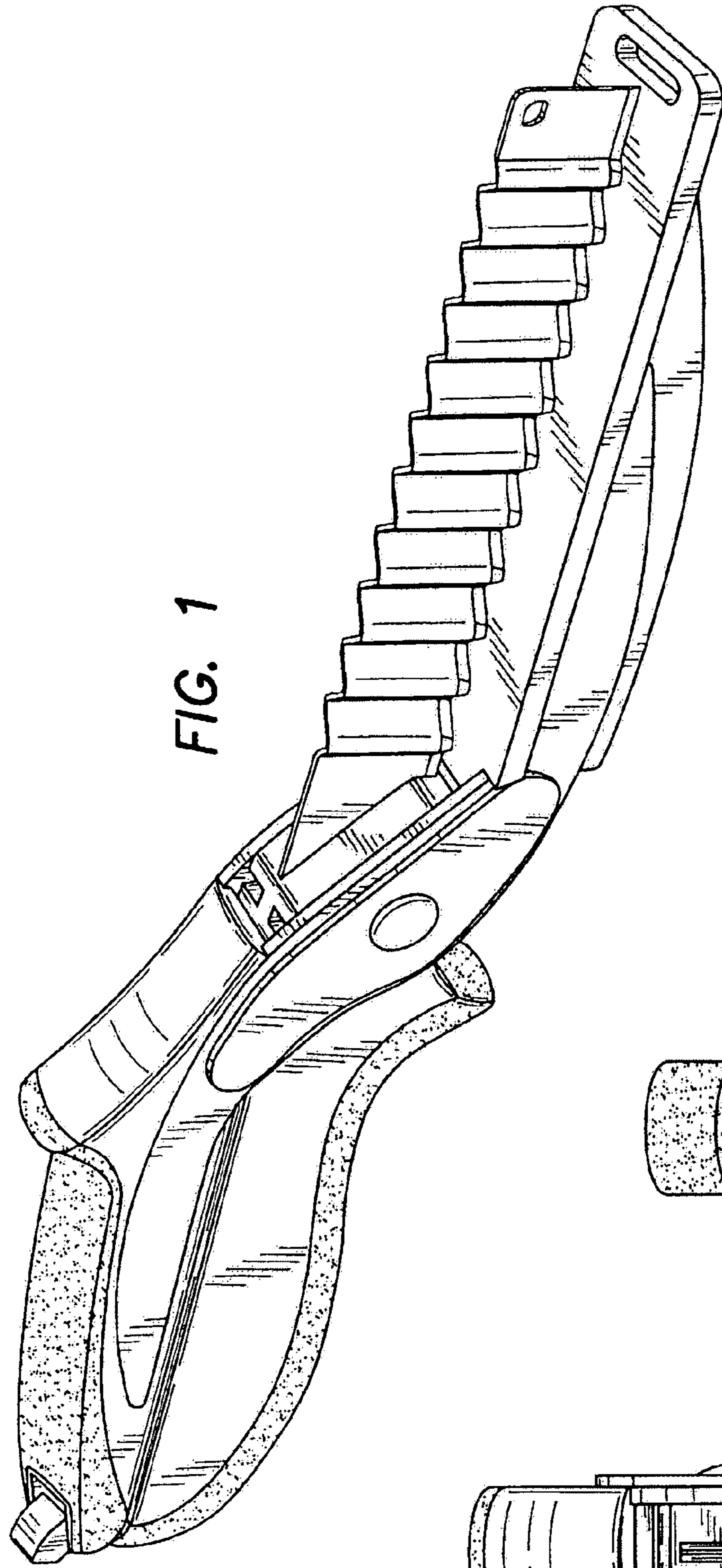


FIG. 1

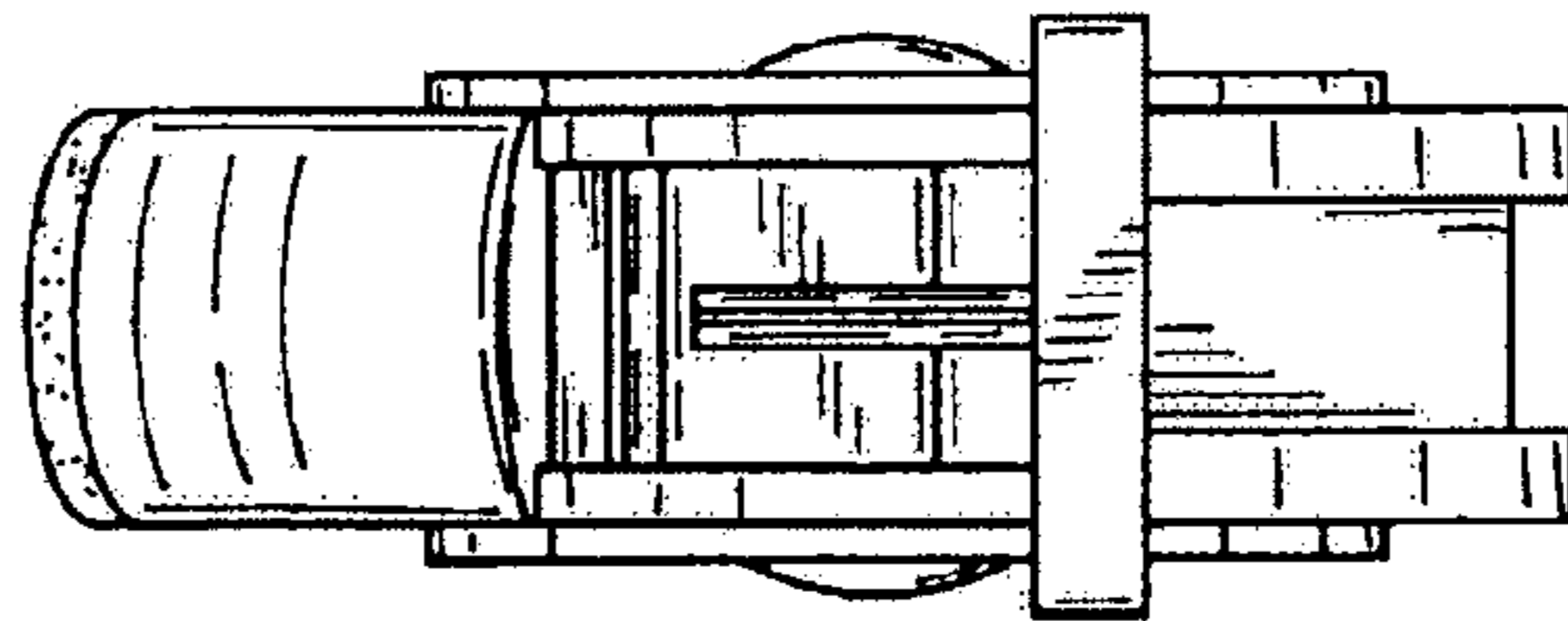


FIG. 4

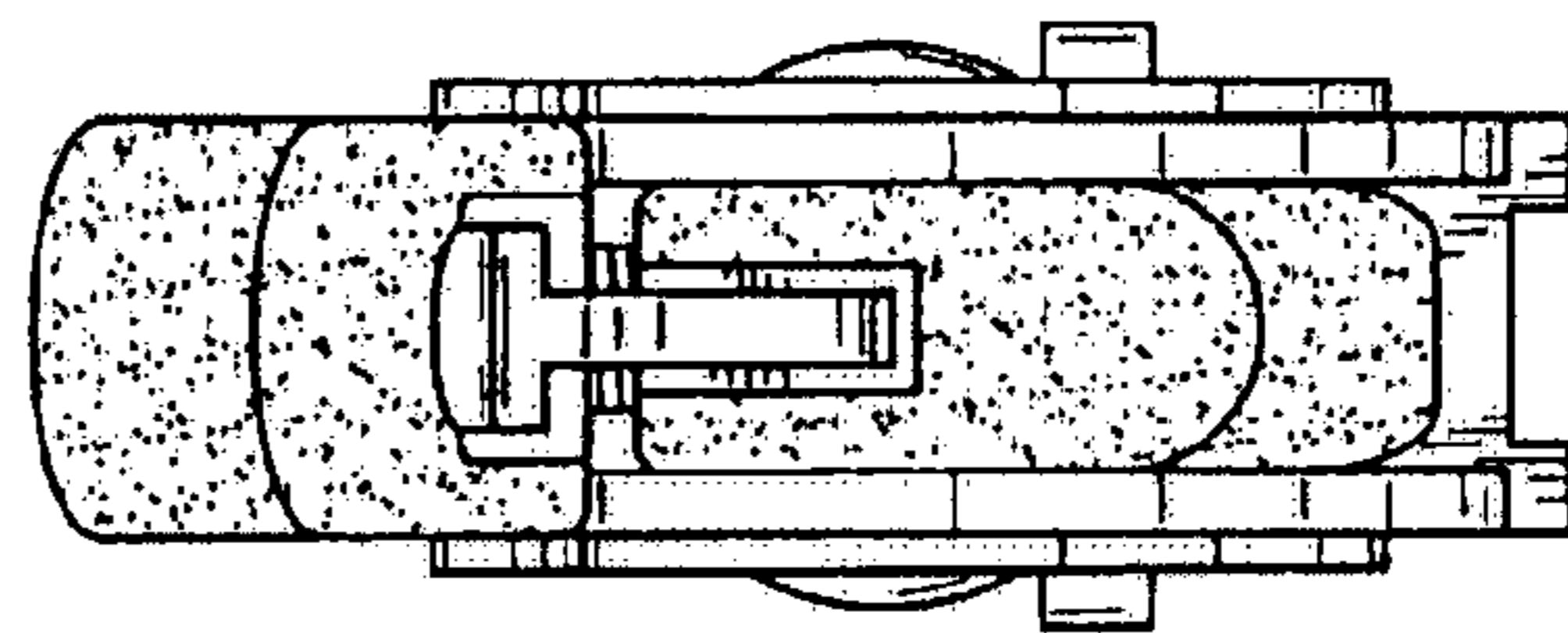


FIG. 6

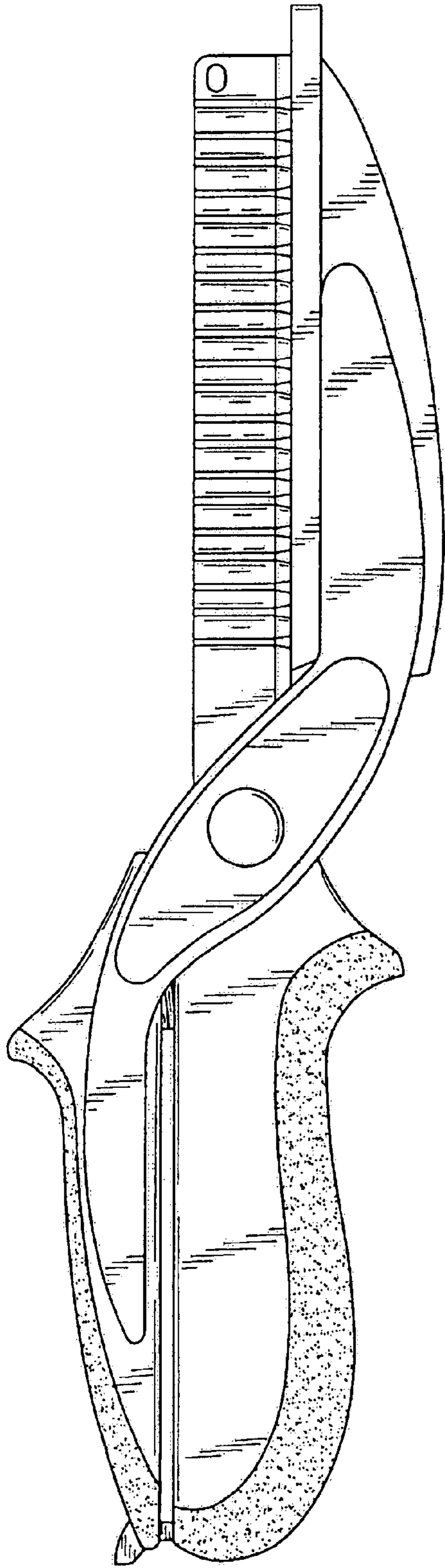


FIG. 2

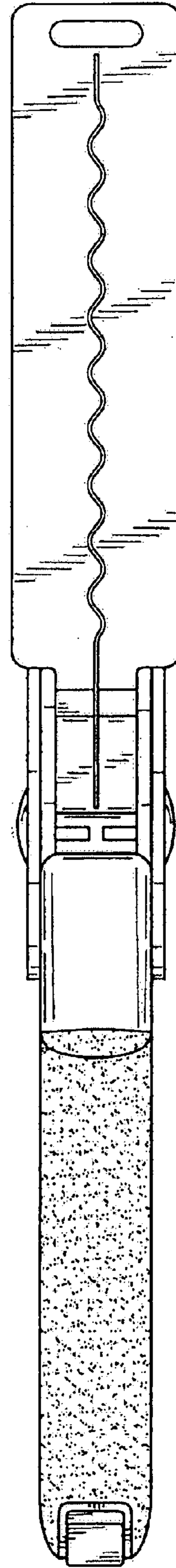


FIG. 3

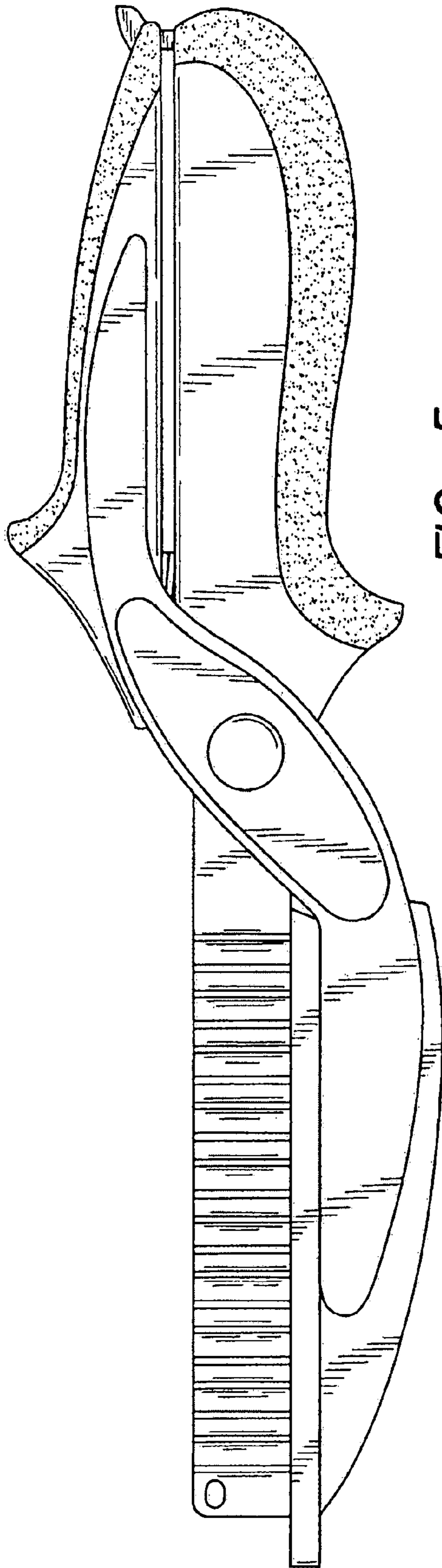


FIG. 5

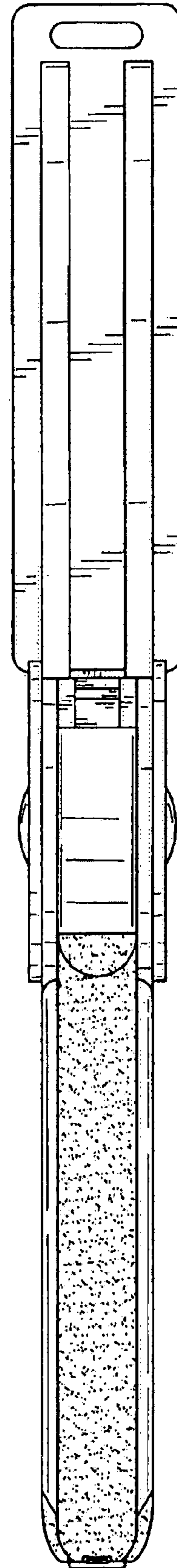


FIG. 7

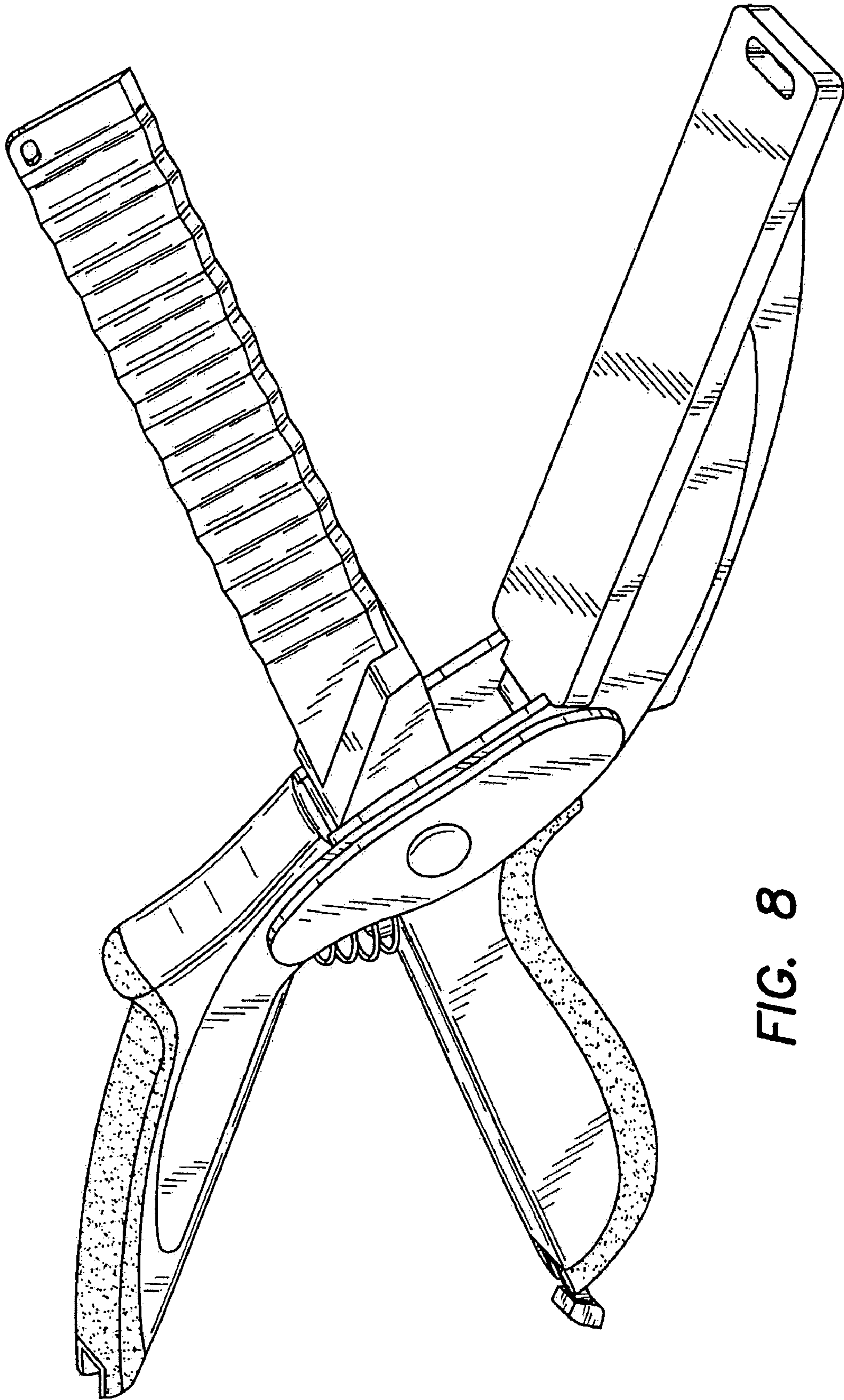


FIG. 8