



US00D564303S

(12) **United States Design Patent**
Zell

(10) **Patent No.:** **US D564,303 S**

(45) **Date of Patent:** **** Mar. 18, 2008**

(54) **WINE ILLUMINATOR**

(75) Inventor: **Jeffrey M. Zell**, Potomac, MD (US)

(73) Assignee: **JM Zell Partners, Ltd**, Washington, DC (US)

(**) Term: **14 Years**

(21) Appl. No.: **29/249,134**

(22) Filed: **Sep. 22, 2006**

(51) **LOC (8) Cl.** **07-01**

(52) **U.S. Cl.** **D7/619.1; D7/387**

(58) **Field of Classification Search** D7/314,
D7/387, 401.1, 600, 601, 619.1, 622; D8/107,
D8/380; D12/420; 211/74, 77; 215/393,
215/395, 396, 399; 220/737, 742, 752; D23/206;
222/113; 248/309.1, 312, 313, 316.4, 316.8,
248/105, 146; 294/28, 33

See application file for complete search history.

(56) **References Cited**

U.S. PATENT DOCUMENTS

1,249,341	A	12/1917	Cropsey	
2,177,337	A	10/1939	Stein	240/6.4
D149,933	S *	6/1948	Bushman	D7/622
2,547,450	A	4/1951	Du Pont	222/113
2,596,452	A	5/1952	Wehmiller et al.	88/14
2,902,310	A *	9/1959	Berce	294/33
3,868,047	A	2/1975	Bersano	222/166
3,963,206	A *	6/1976	Scolaro et al.	248/105
4,344,113	A	8/1982	Ditto et al.	362/101
4,496,124	A	1/1985	Cole	248/146
4,515,334	A	5/1985	Horne	248/146
4,836,476	A	6/1989	Wolf	248/146
5,026,480	A	6/1991	Fischer	210/515
D329,781	S	9/1992	Ito	D7/619
5,307,250	A	4/1994	Pearson	362/101
D355,732	S *	2/1995	Huff	D30/133

D417,185	S *	11/1999	Marks	D12/411
D423,774	S *	5/2000	Peterson	D3/229
6,174,066	B1	1/2001	Vinding-Diers	362/96
6,254,247	B1	7/2001	Carson	362/101
D456,603	S *	5/2002	Phetthaweebancha	D3/229
6,425,421	B1	7/2002	Morrison	141/64
D479,129	S *	9/2003	Waugh	D9/455
D488,358	S *	4/2004	Cook	D7/619.1
D490,659	S *	6/2004	Gies	D7/620
6,793,363	B2	9/2004	Jensen	362/101
D498,357	S *	11/2004	Smith	D3/215
D552,417	S *	10/2007	Ben-Shlomo et al.	D7/397
2002/0108672	A1	8/2002	Morrison	141/64
2004/0035296	A1	2/2004	Schauz et al.	99/275
2005/0191395	A1	9/2005	Creasey et al.	426/335

* cited by examiner

Primary Examiner—Philip S. Hyder

Assistant Examiner—Cynthia Underwood

(74) *Attorney, Agent, or Firm*—Greenberg Traurig LLC;
Paul F. McQuade; James E. Goepel

(57) **CLAIM**

The ornamental design for a wine illuminator, as shown and described.

DESCRIPTION

FIG. 1 is a right perspective view of the wine illuminator, showing the present design;

FIG. 2 is a front elevation view of the present design;

FIG. 3 is a rear elevation view of the present design;

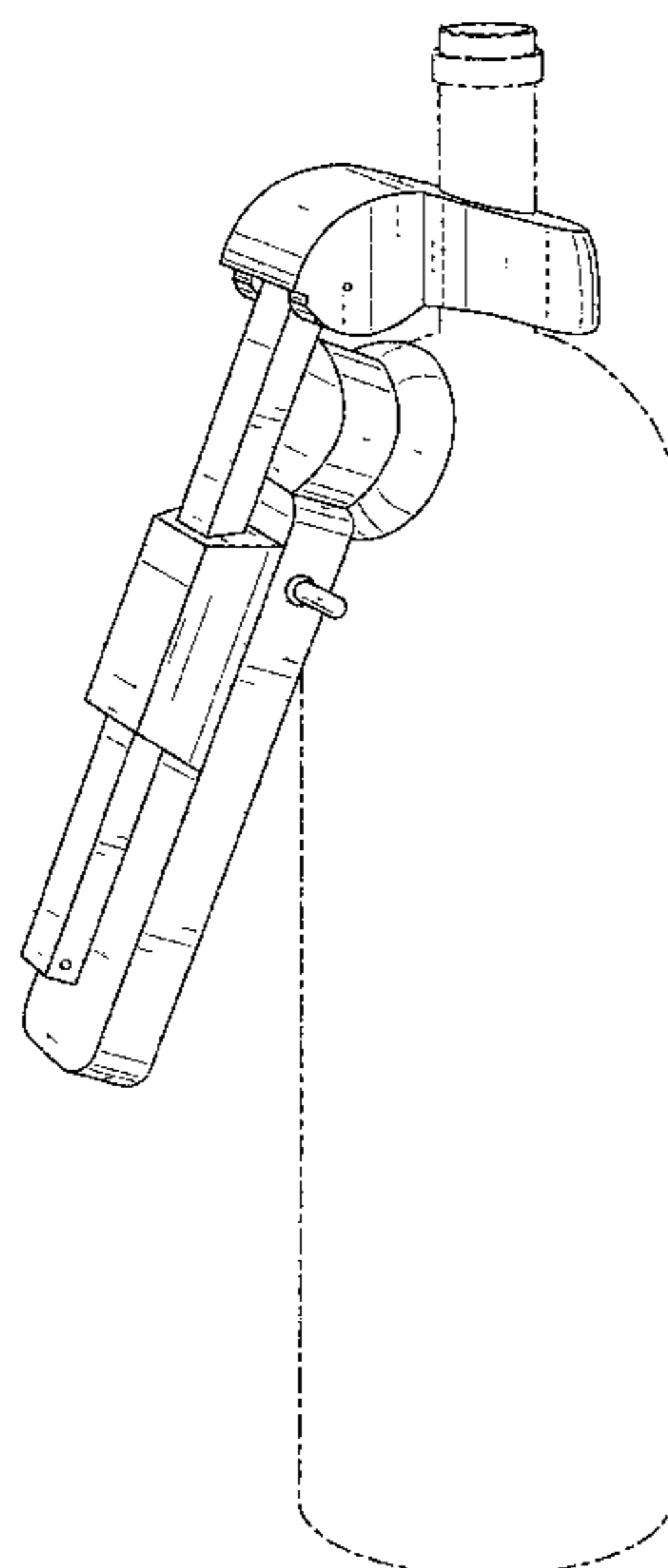
FIG. 4 is a right elevation view of the present design;

FIG. 5 is a left elevation view of the present design;

FIG. 6 is a top plan view of the present design; and,

FIG. 7 is a bottom plan view of the present design.

1 Claim, 6 Drawing Sheets



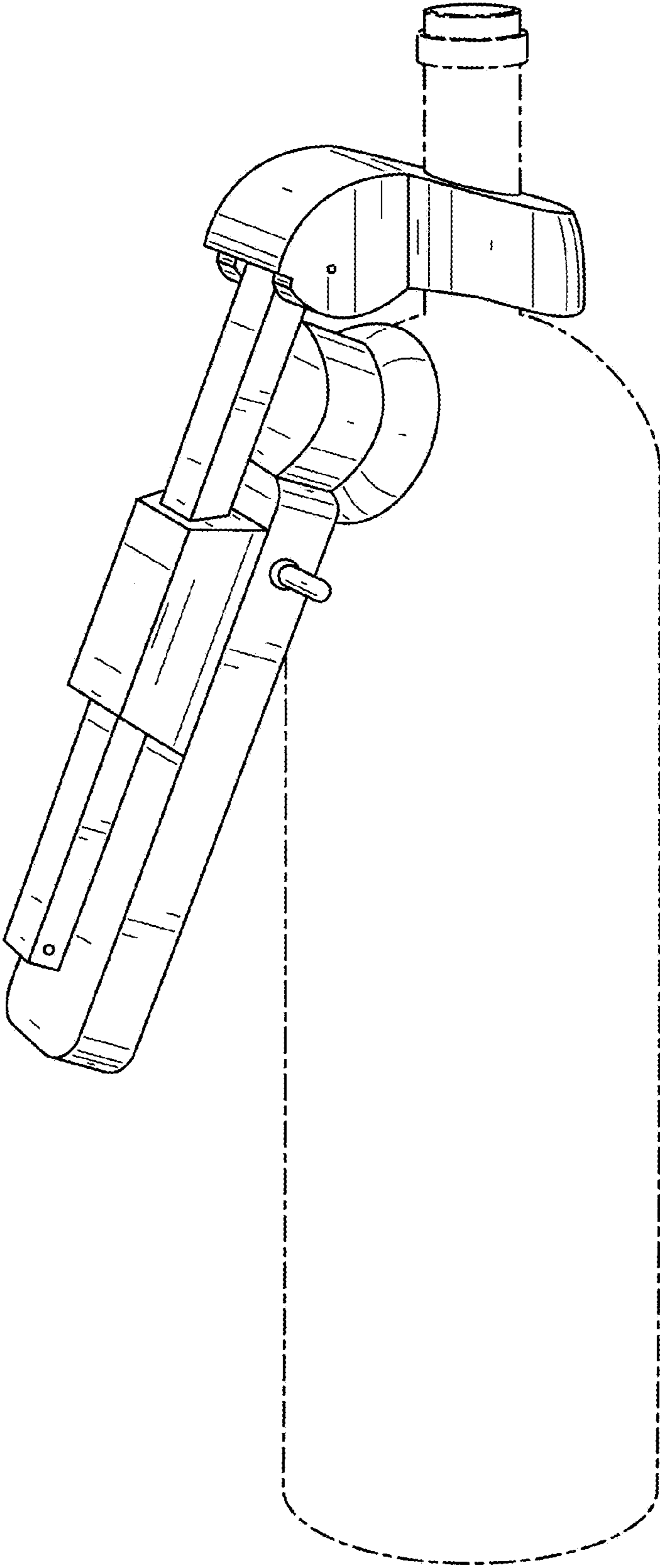


FIG. 1

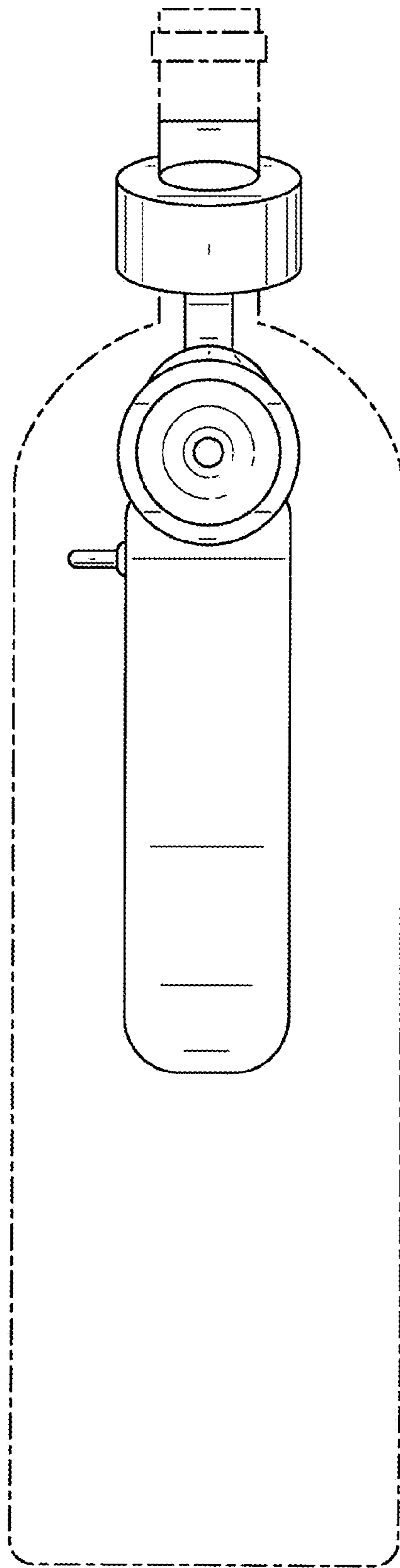


FIG. 2

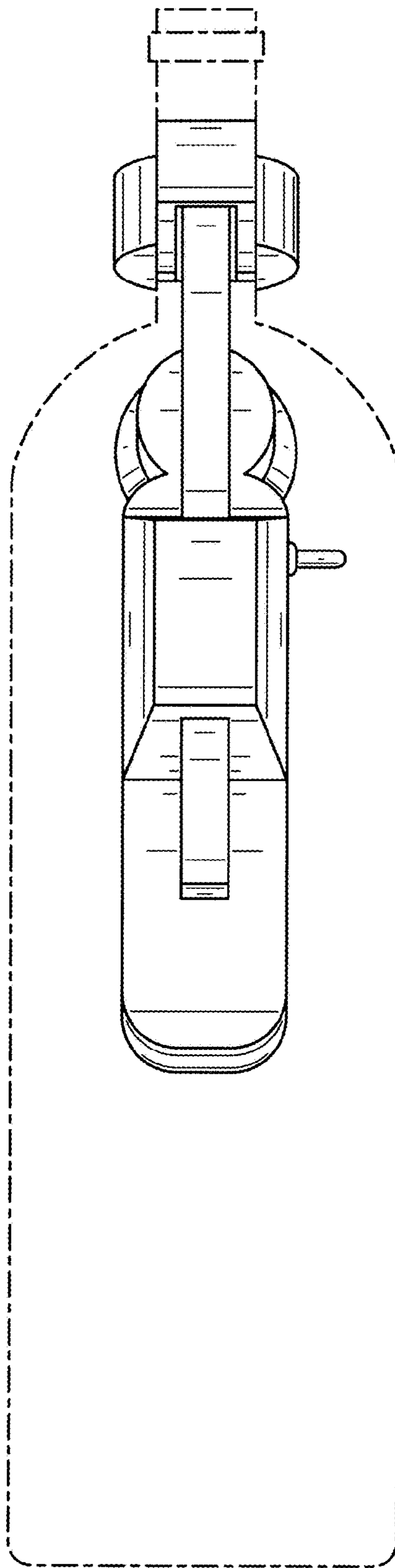


FIG. 3

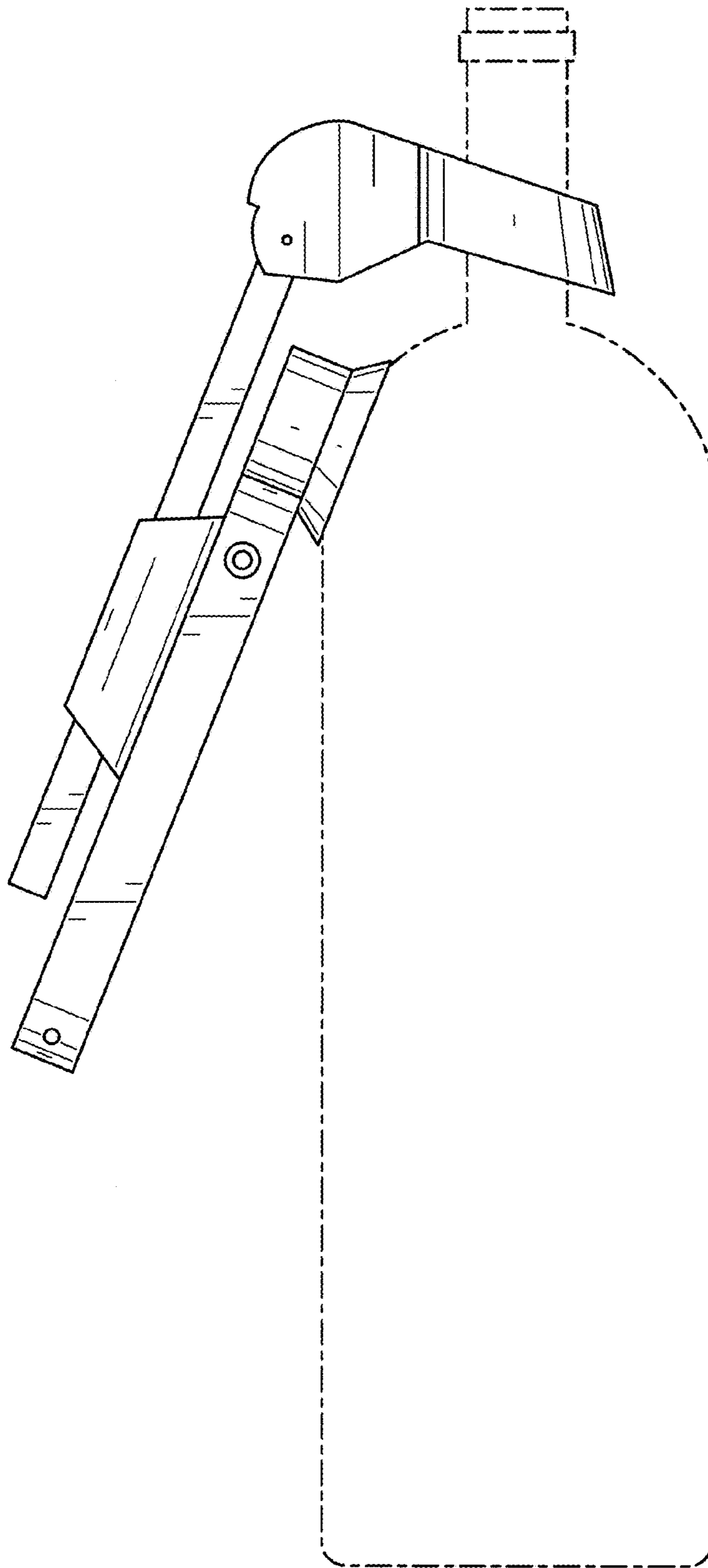


FIG. 4

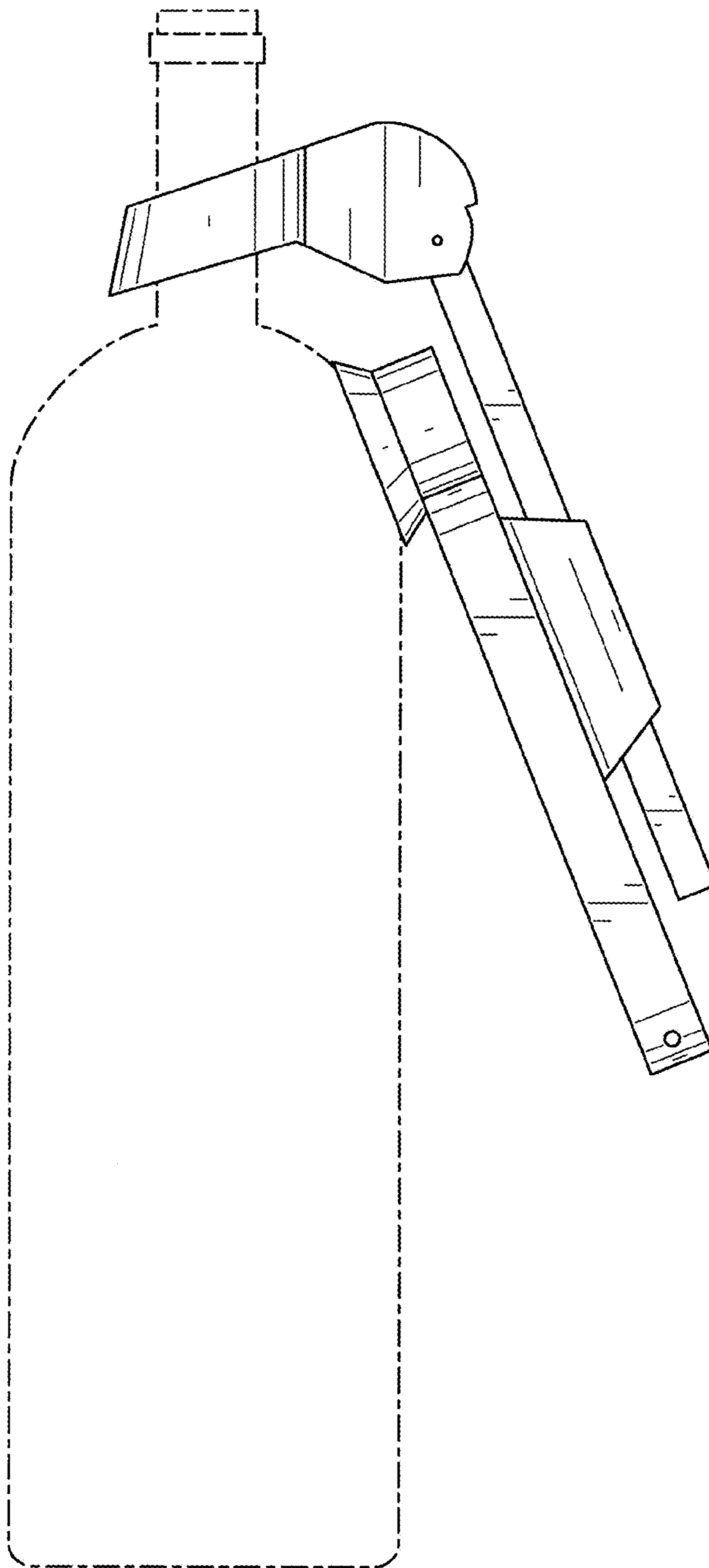


FIG. 5

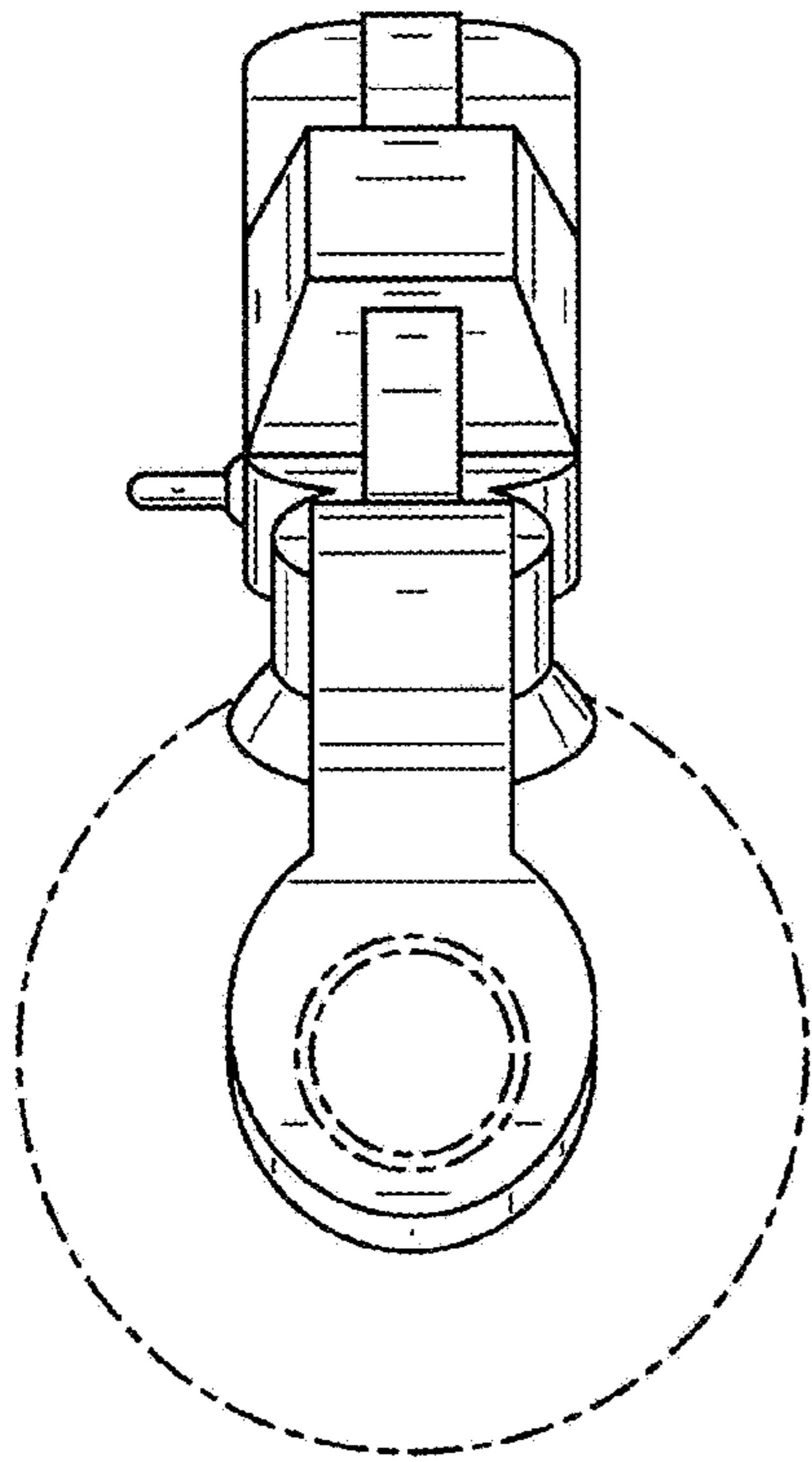


FIG. 6

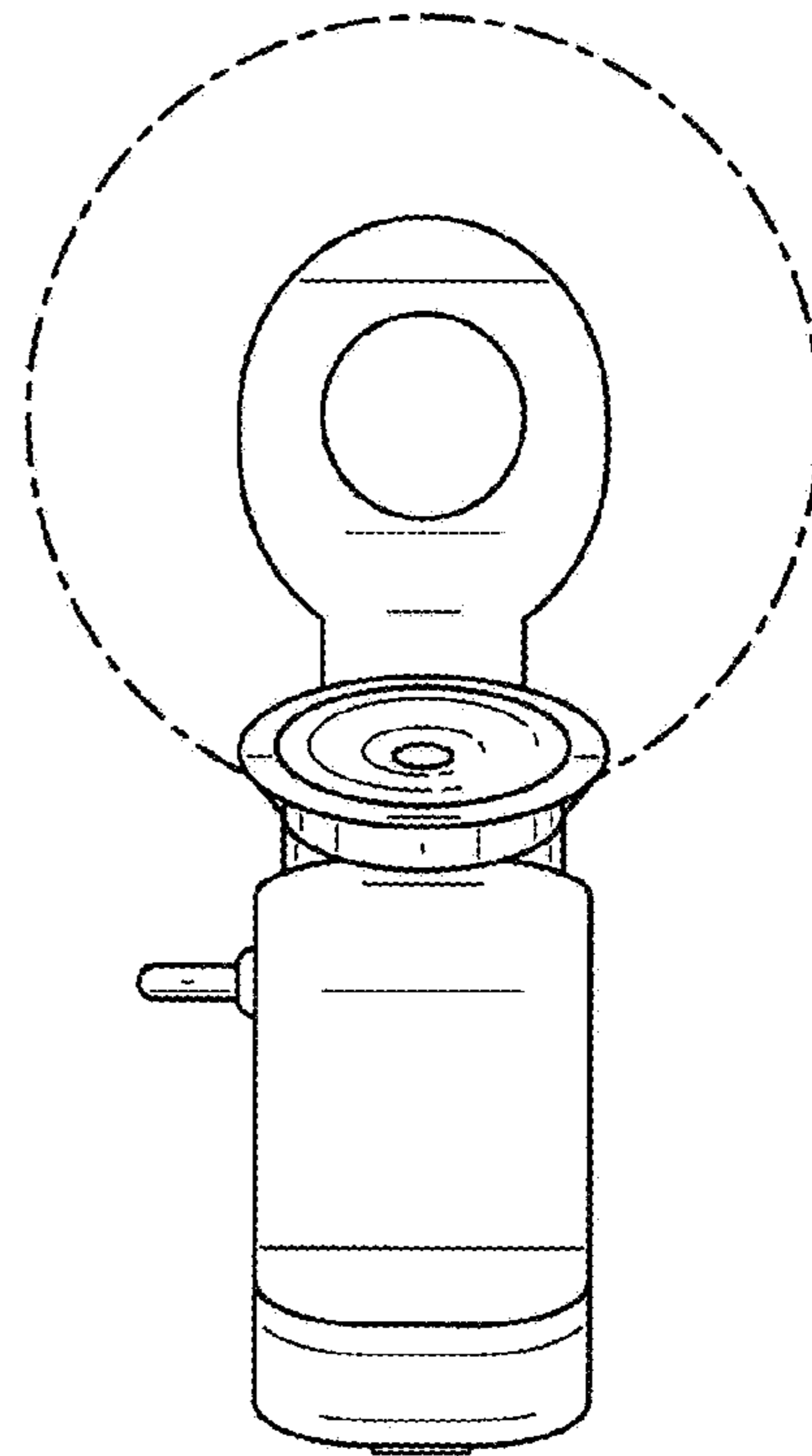


FIG. 7