

US00D564302S

(12) **United States Design Patent**  
**Freeman**

(10) **Patent No.:** **US D564,302 S**  
(45) **Date of Patent:** **\*\* Mar. 18, 2008**

(54) **THERMAL CONTAINER**

(75) Inventor: **Ernest F. Freeman**, Rancho Santa Margarita, CA (US)

(73) Assignee: **Cambro Manufacturing Company**, Huntington Beach, CA (US)

(\*\*) Term: **14 Years**

(21) Appl. No.: **29/286,837**

(22) Filed: **May 19, 2007**

(51) **LOC (8) Cl.** ..... **07-01**

(52) **U.S. Cl.** ..... **D7/605; D7/586; D7/587**

(58) **Field of Classification Search** ..... D7/605-608, D7/584, 586, 587; 62/457.1-457.9; 220/780-806  
See application file for complete search history.

(56) **References Cited**

**U.S. PATENT DOCUMENTS**

- 5,345,784 A \* 9/1994 Bazemore et al. .... 62/371
- D380,124 S \* 6/1997 Kato et al. .... D7/605
- D482,574 S \* 11/2003 Mountain ..... D7/586
- D492,159 S \* 6/2004 Carlson ..... D7/584

- D494,420 S \* 8/2004 Wellner ..... D7/587
- D494,425 S \* 8/2004 Segura ..... D7/608
- D527,224 S \* 8/2006 Roth et al. .... D7/540

\* cited by examiner

*Primary Examiner*—Terry A Wallace

(74) *Attorney, Agent, or Firm*—George F. Bethel

(57) **CLAIM**

I claim the ornamental design for a thermal container, as shown and described.

**DESCRIPTION**

FIG. 1 shows a perspective view of the design for the thermal container.

FIG. 2 shows a front elevation view.

FIG. 3 shows a top plan view.

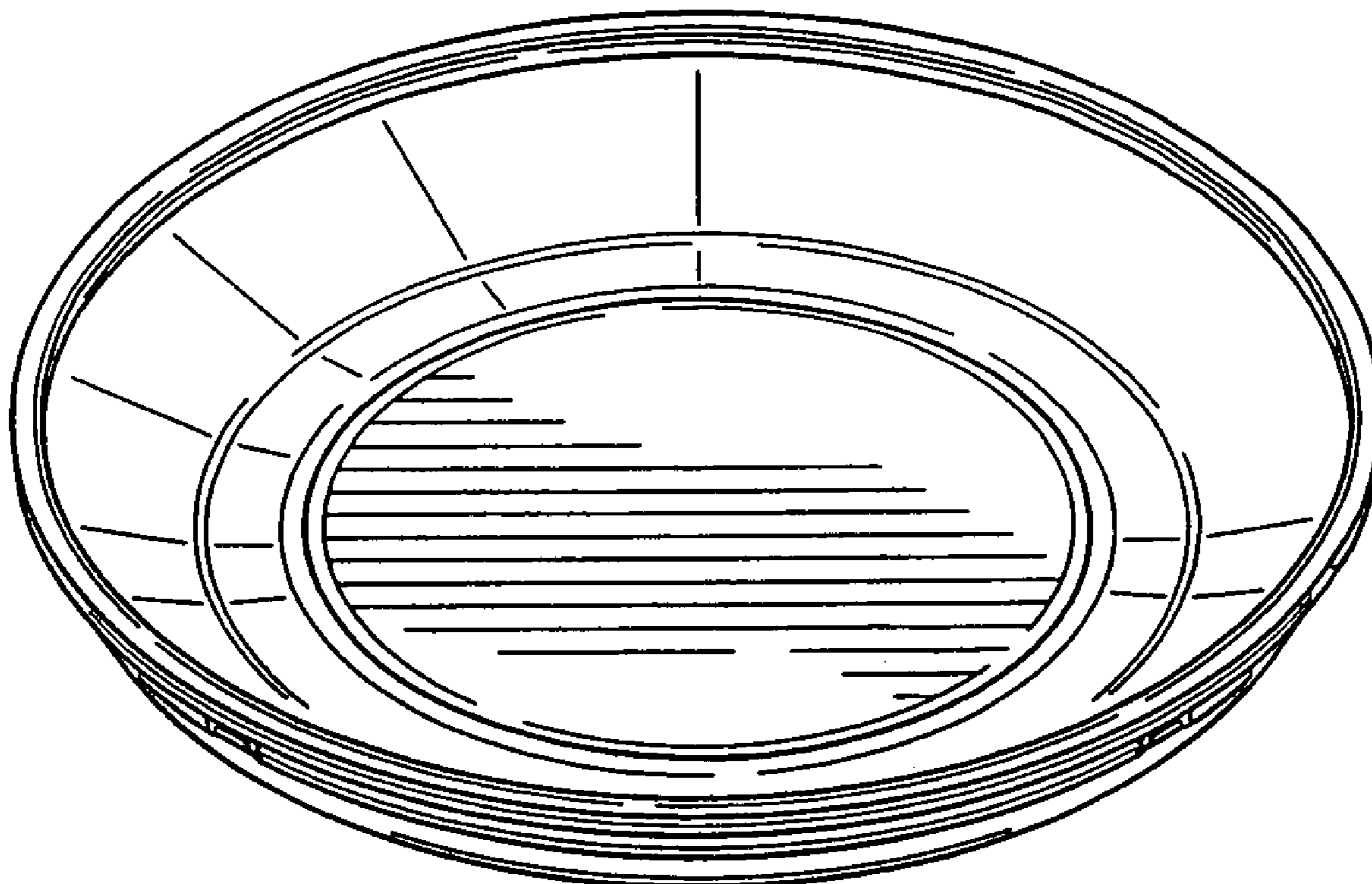
FIG. 4 shows a right side elevation view.

FIG. 5 shows a left side elevation view.

FIG. 6 shows a back elevation side view; and,

FIG. 7 shows a bottom plan view.

**1 Claim, 2 Drawing Sheets**



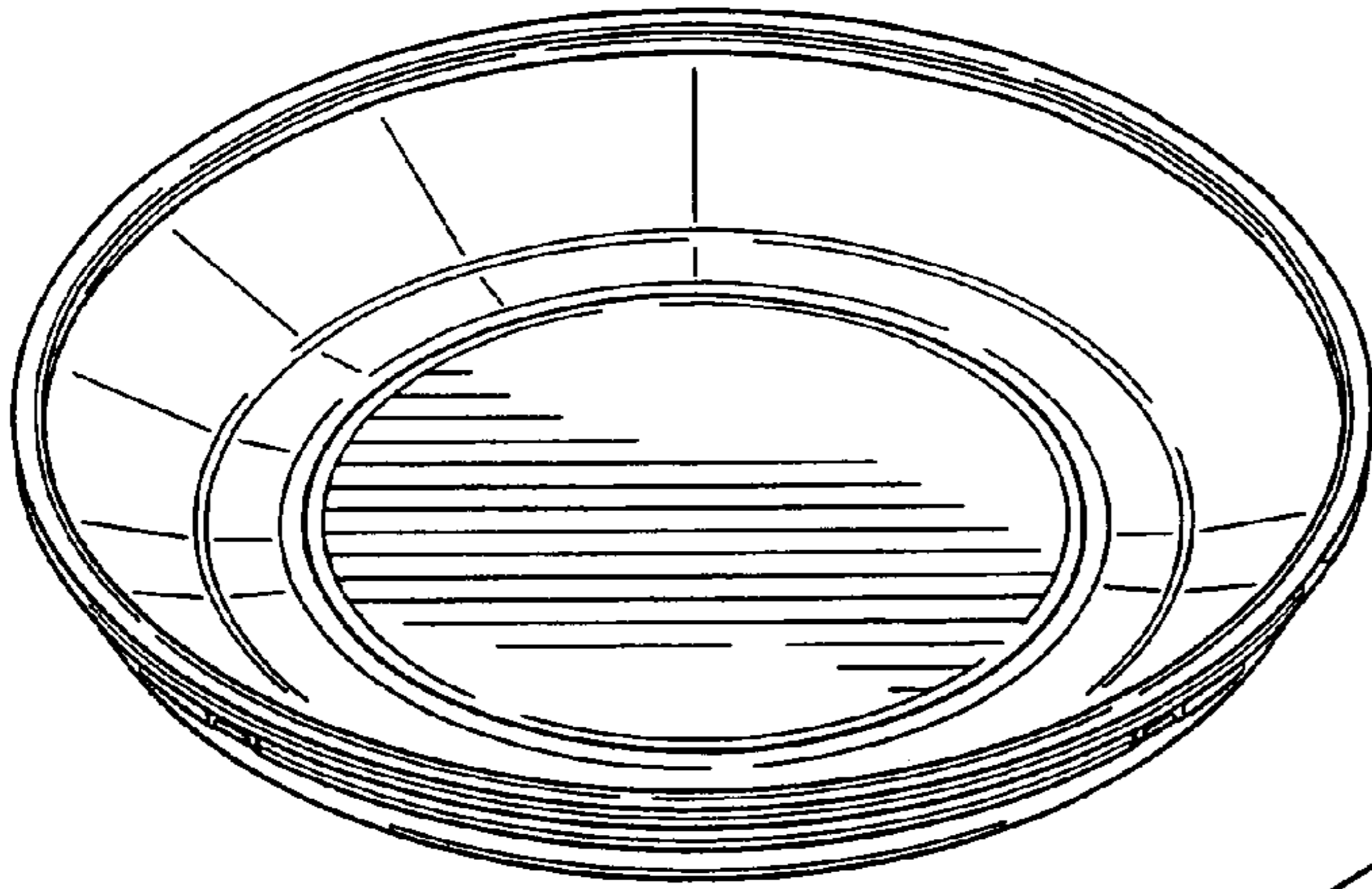


FIG. 1

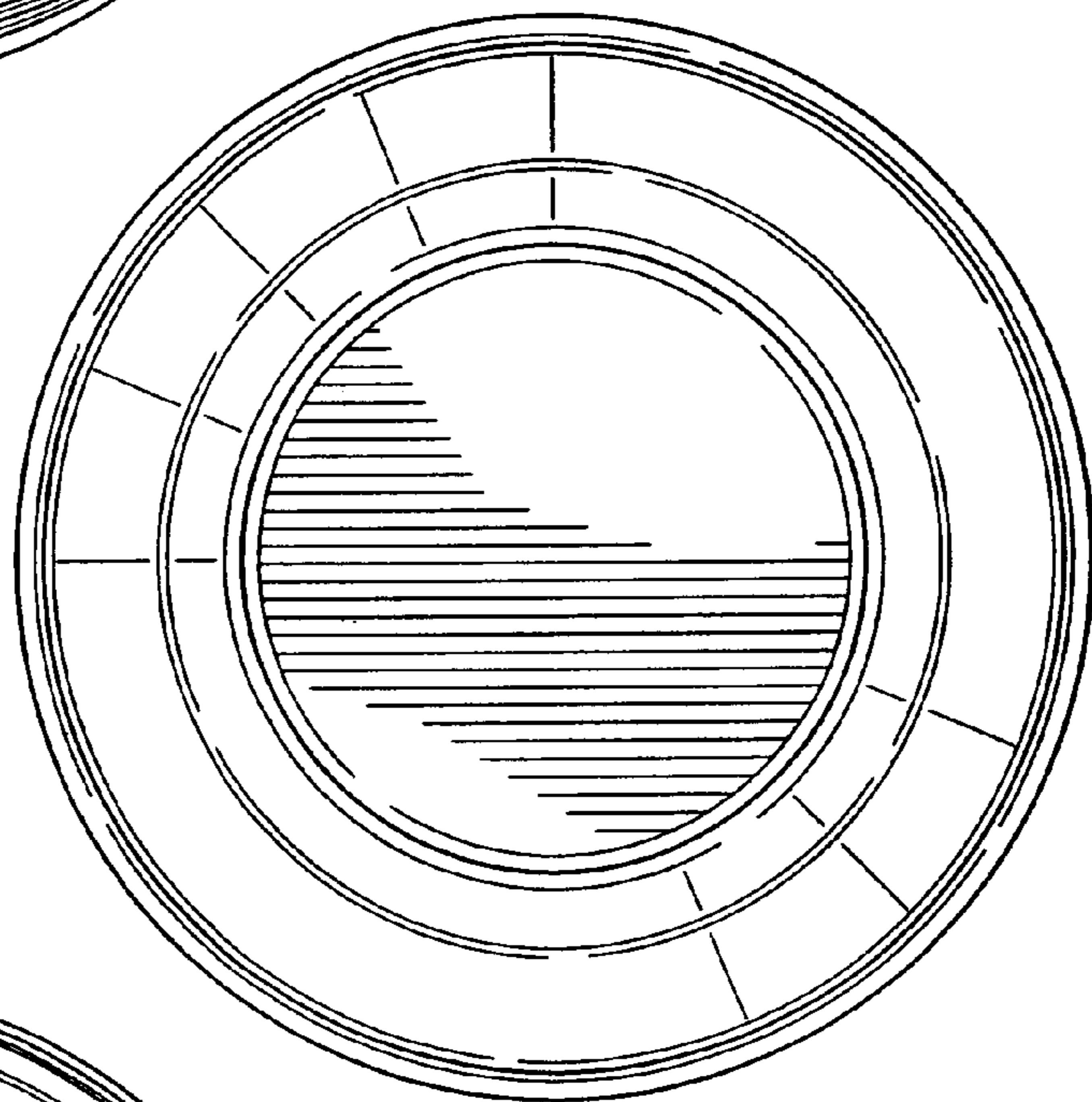


FIG. 3

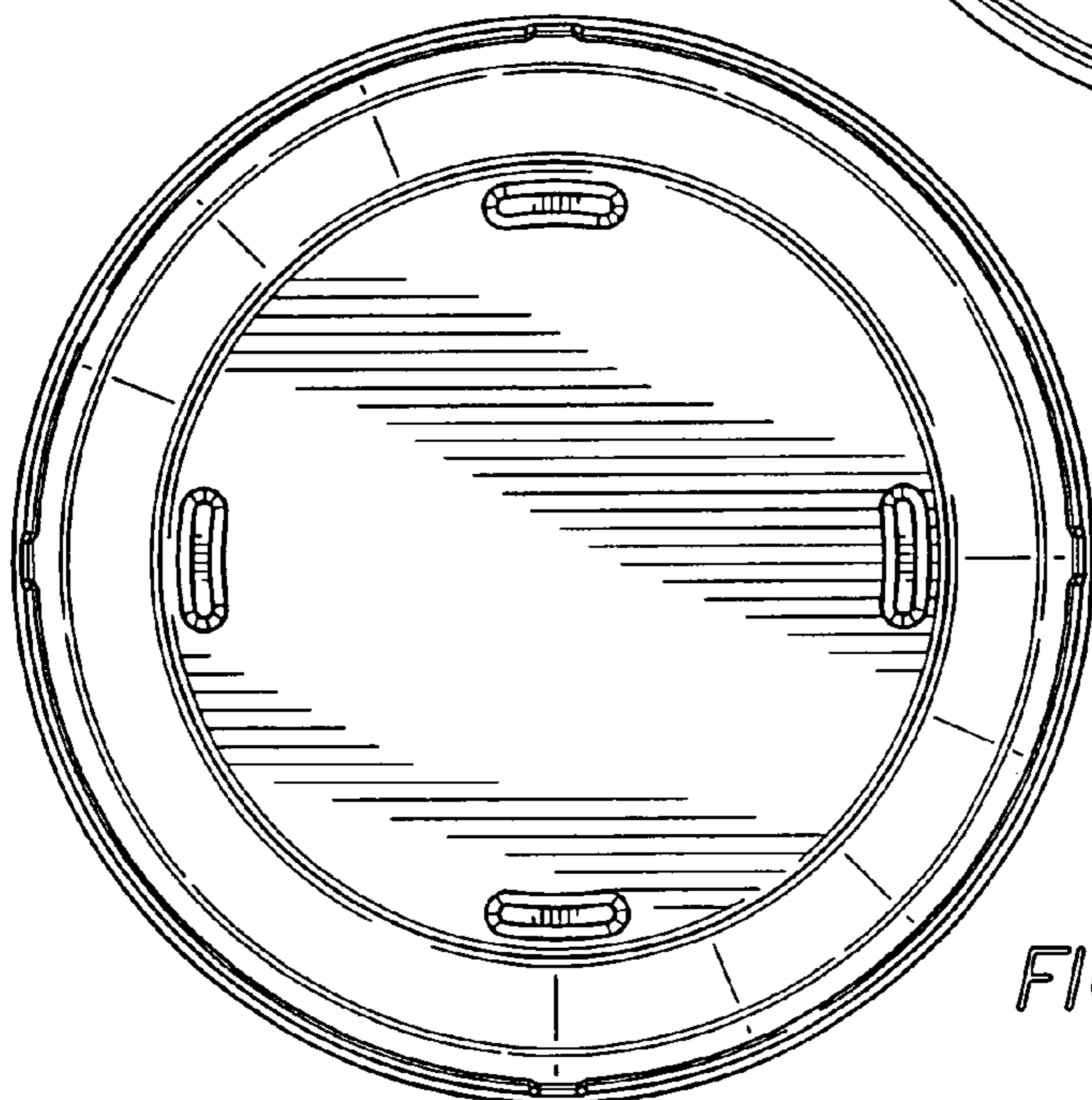


FIG. 7

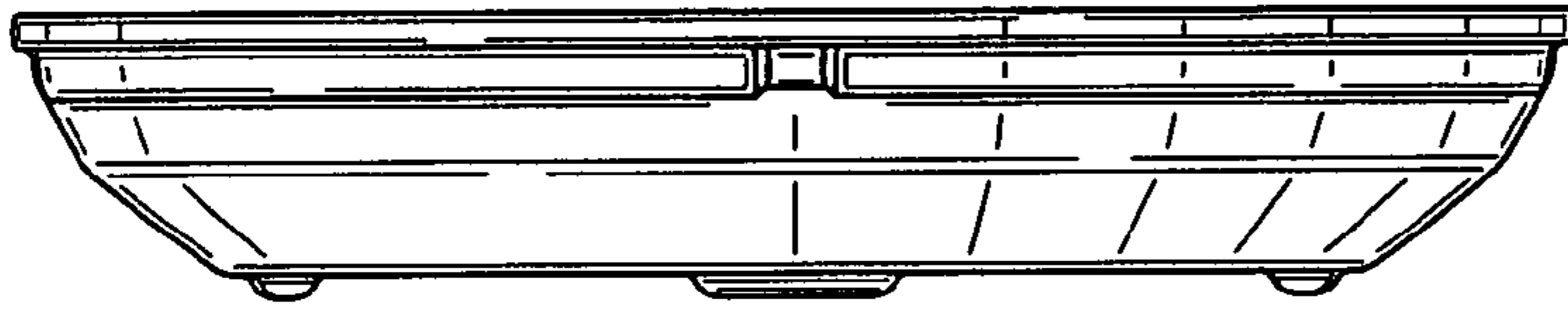


FIG. 2

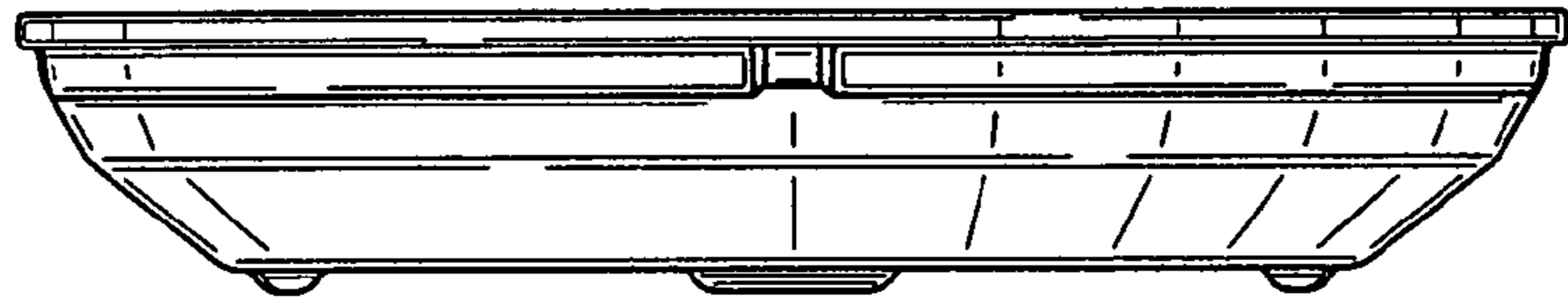


FIG. 4

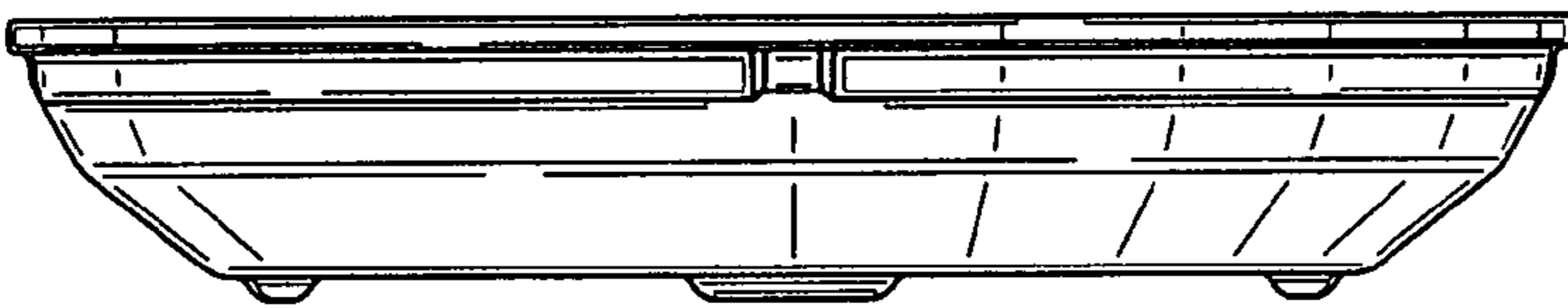


FIG. 5

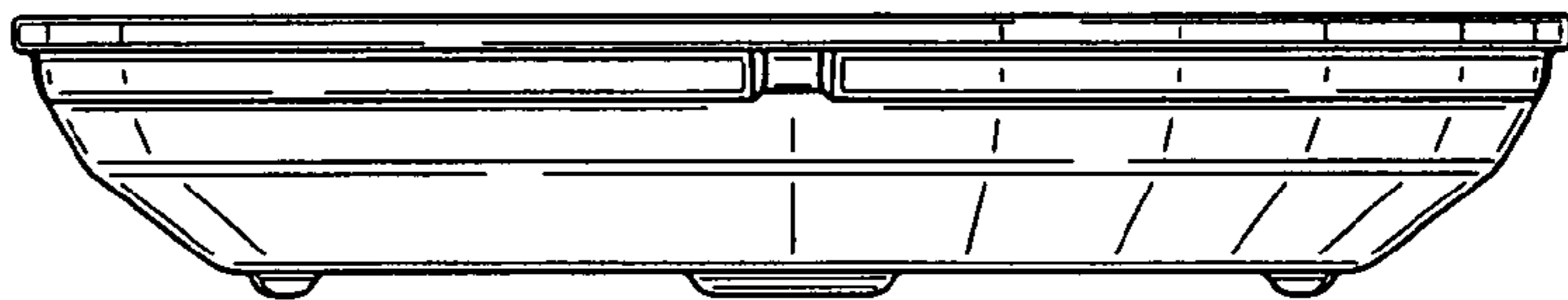


FIG. 6