



US00D564300S

(12) **United States Design Patent**
Liu

(10) **Patent No.:** **US D564,300 S**
(45) **Date of Patent:** **** Mar. 18, 2008**

(54) **TRAVEL MUG**

(75) Inventor: **Chih-Hsiang Liu**, Chang Hua (TW)

(73) Assignee: **J Sheng Co., Ltd.**, Chang Hua (TW)

(**) Term: **14 Years**

(21) Appl. No.: **29/249,330**

(22) Filed: **Oct. 2, 2006**

(51) **LOC (8) Cl.** **07-01**

(52) **U.S. Cl.** **D7/510; D7/511; D7/536**

(58) **Field of Classification Search** D7/510,
D7/511, 514, 536, 300.1, 300, 532, 529, 512,
D7/523, 533; 362/101; 215/11.1, 398; 220/717,
220/713, 737, 705, 771, 703; 222/109; D9/523,
D9/525, 530, 529, 531, 549, 503; D24/197
See application file for complete search history.

(56) **References Cited**

U.S. PATENT DOCUMENTS

D203,402 S *	1/1966	Winblad	D7/536
D427,853 S *	7/2000	Kohlhase	D7/510
6,511,031 B2 *	1/2003	Lin	248/346.11
D469,658 S *	2/2003	Norris et al.	D7/523
D480,917 S *	10/2003	Holsinger et al.	D7/533
D483,615 S *	12/2003	Norris et al.	D7/533
D489,574 S *	5/2004	Copeland	D7/536
D502,633 S *	3/2005	Liu	D7/523

D507,152 S *	7/2005	Trombly	D7/536
D533,403 S *	12/2006	Bhavnani	D7/510
D534,769 S *	1/2007	Norris et al.	D7/523
D535,524 S *	1/2007	Kramer	D7/533
D538,598 S *	3/2007	Haataja	D7/536
D547,613 S *	7/2007	Hise et al.	D7/536
D553,436 S *	10/2007	George	D7/510

* cited by examiner

Primary Examiner—Marianne Pandozzi
(74) *Attorney, Agent, or Firm*—Egbert Law Offices

(57) **CLAIM**

I claim the ornamental design for a travel mug, as shown and described.

DESCRIPTION

FIG. 1 is a top perspective view of a travel mug showing my new design;

FIG. 2 is a side view thereof;

FIG. 3 is an opposite side view thereof;

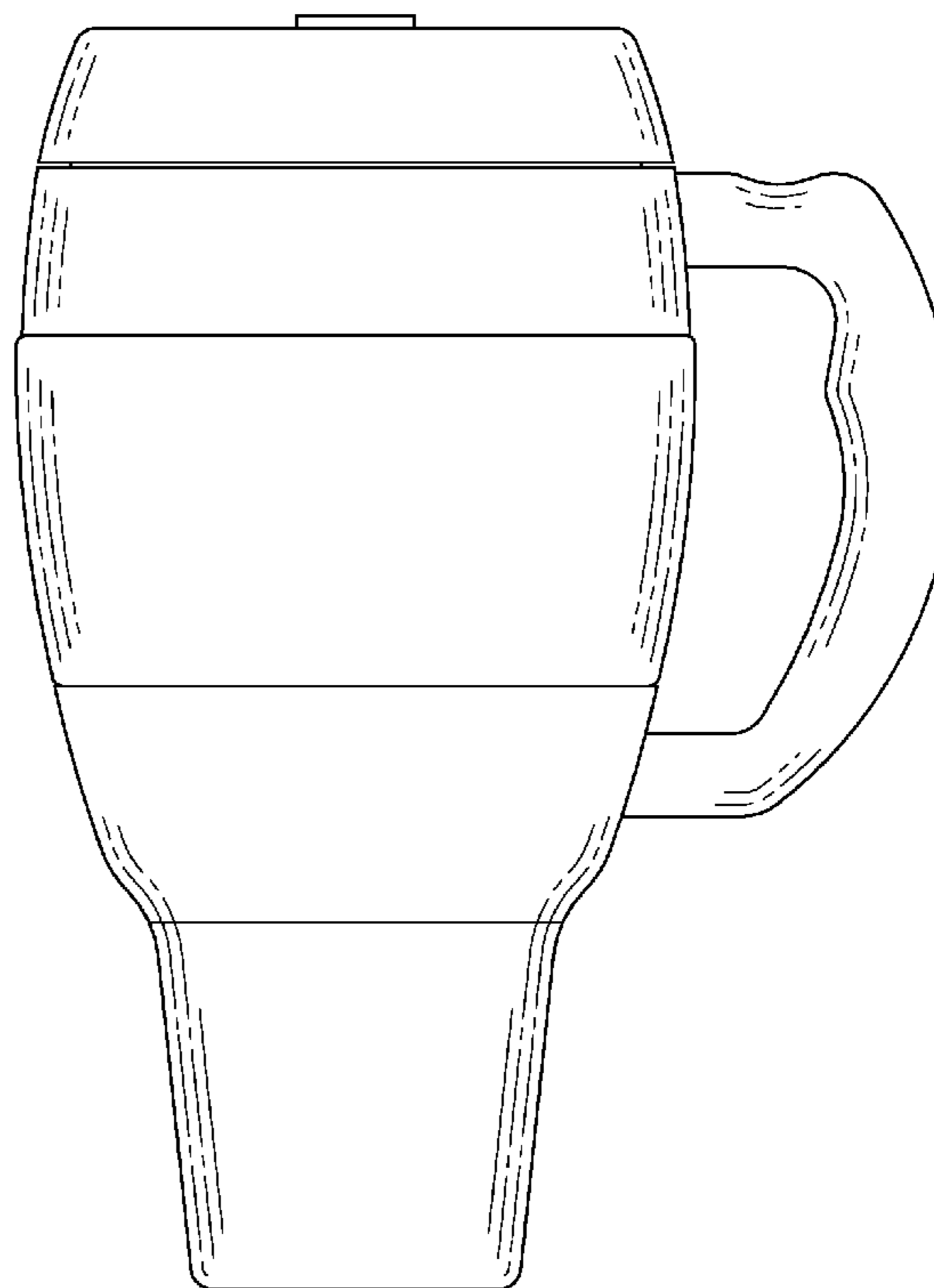
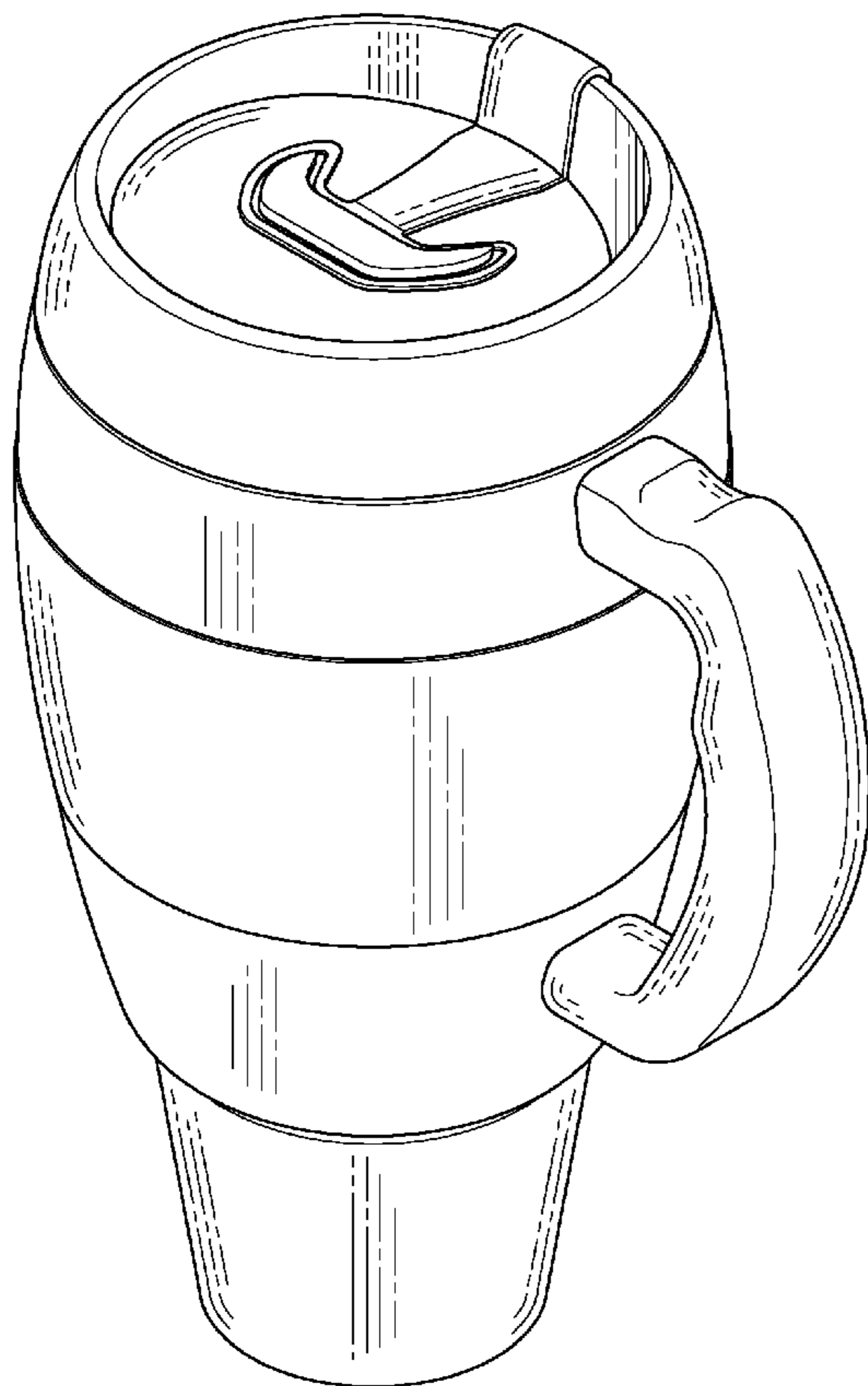
FIG. 4 is a front view thereof;

FIG. 5 is a back view thereof;

FIG. 6 is a top plan view thereof; and,

FIG. 7 is a bottom view thereof.

1 Claim, 6 Drawing Sheets



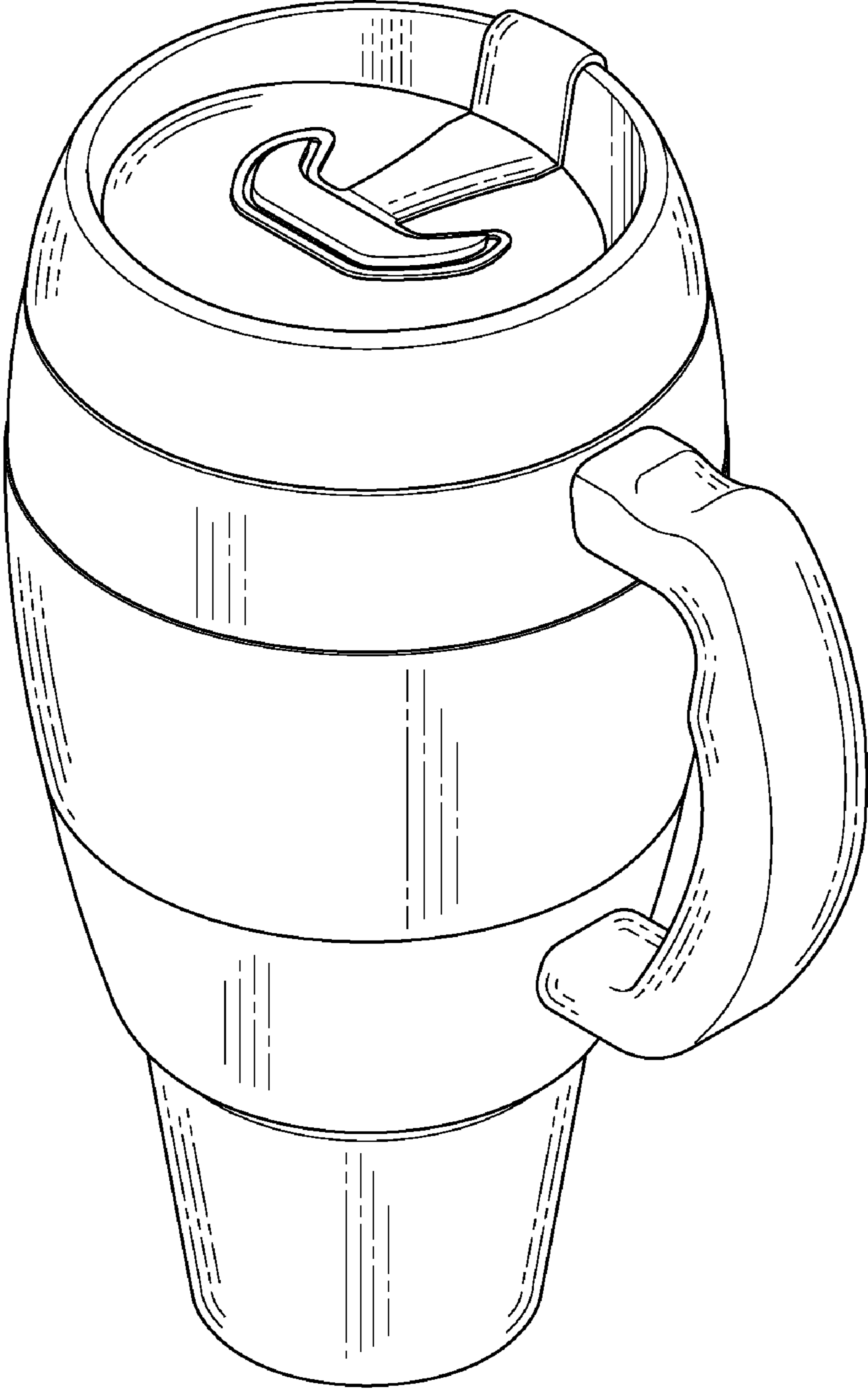


FIG.1

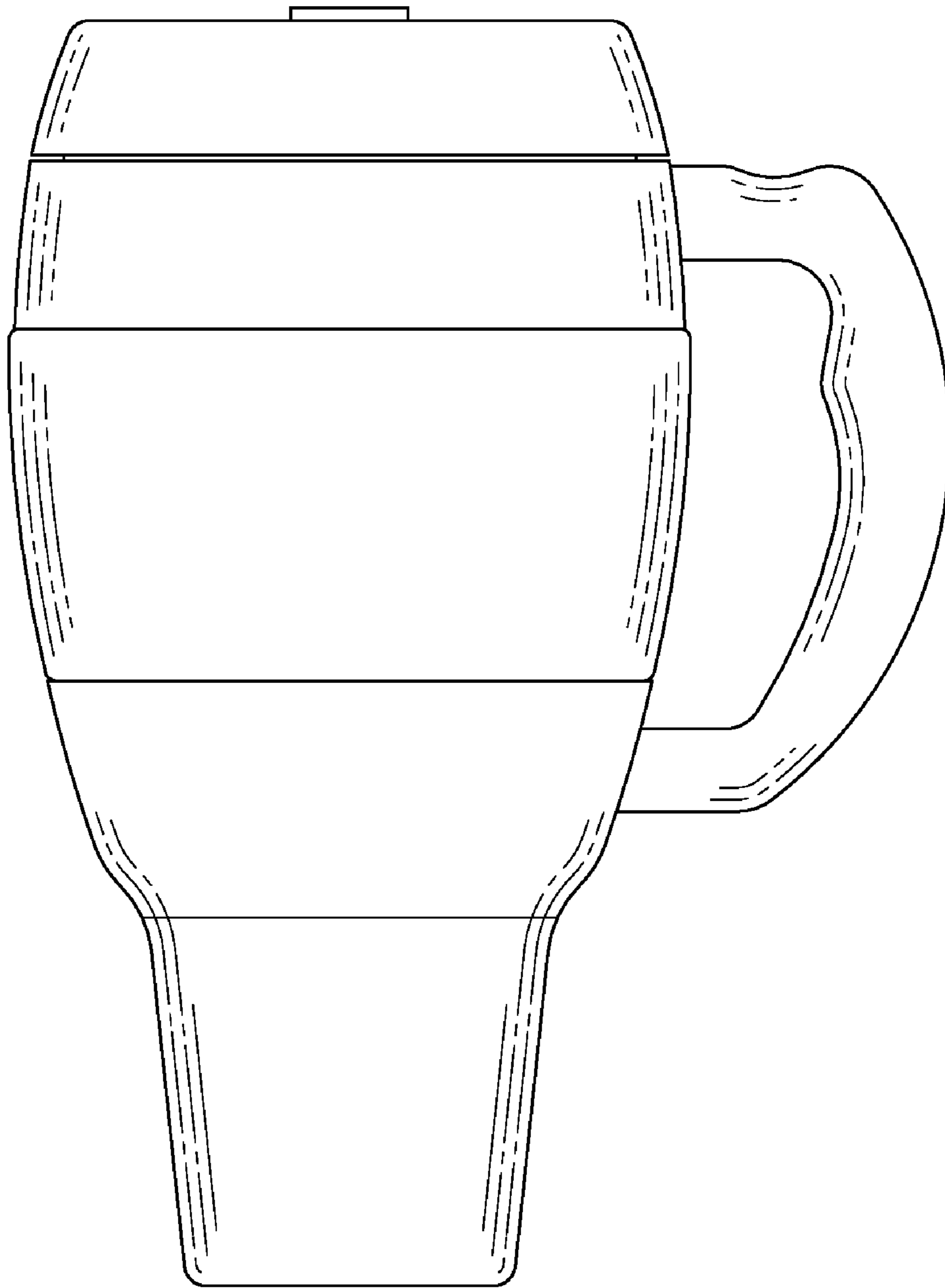


FIG.2

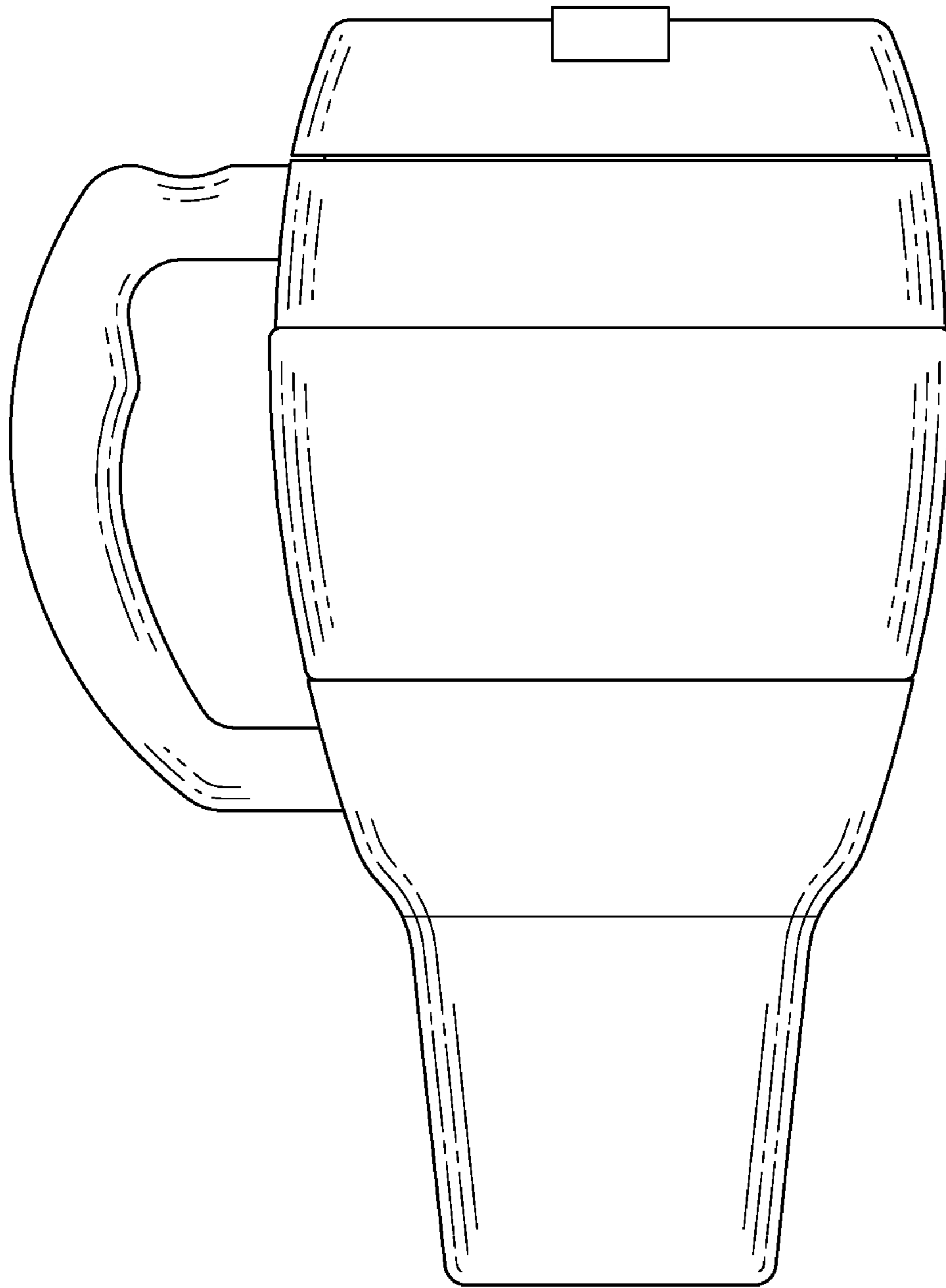


FIG.3

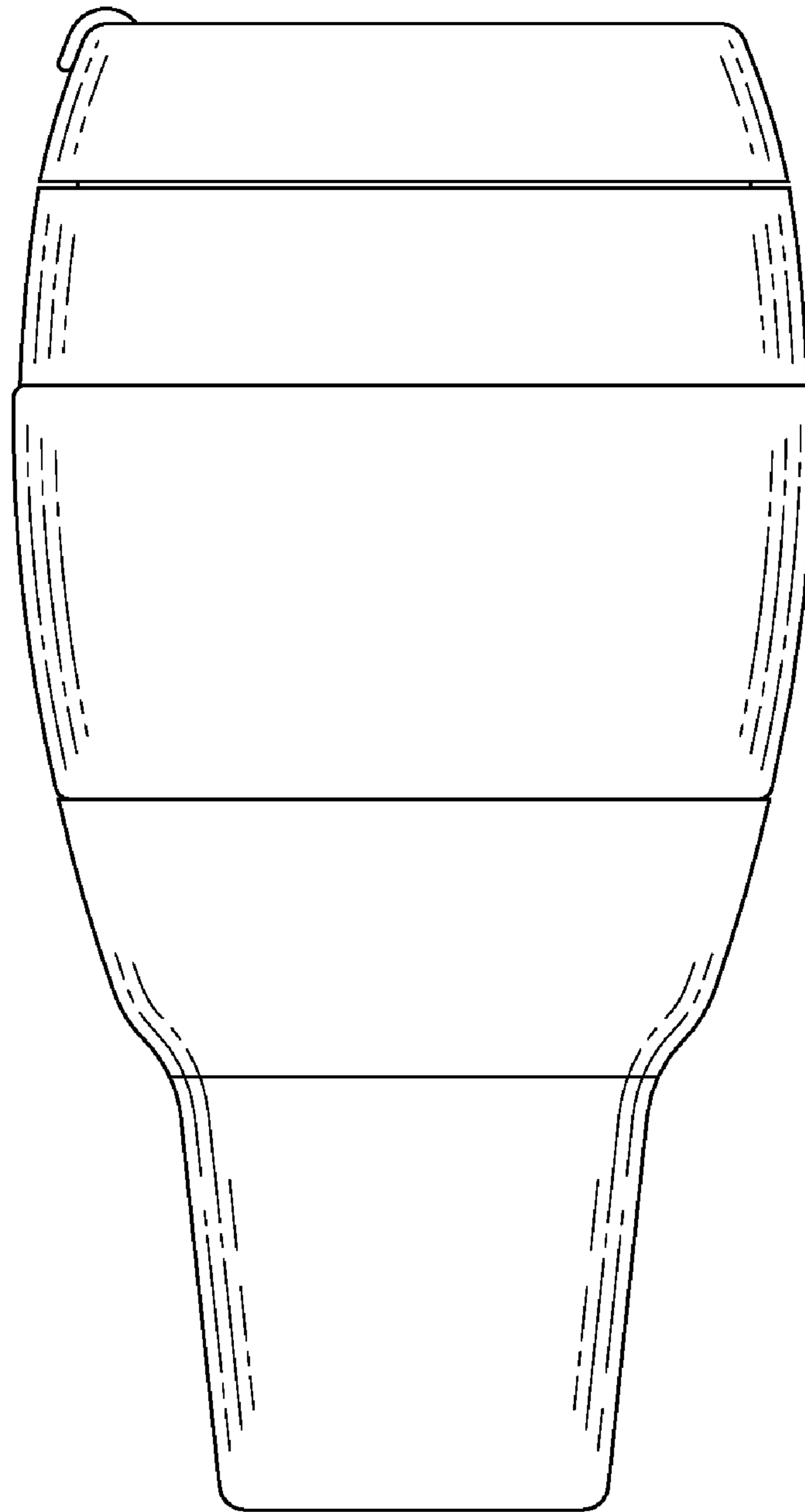


FIG. 4

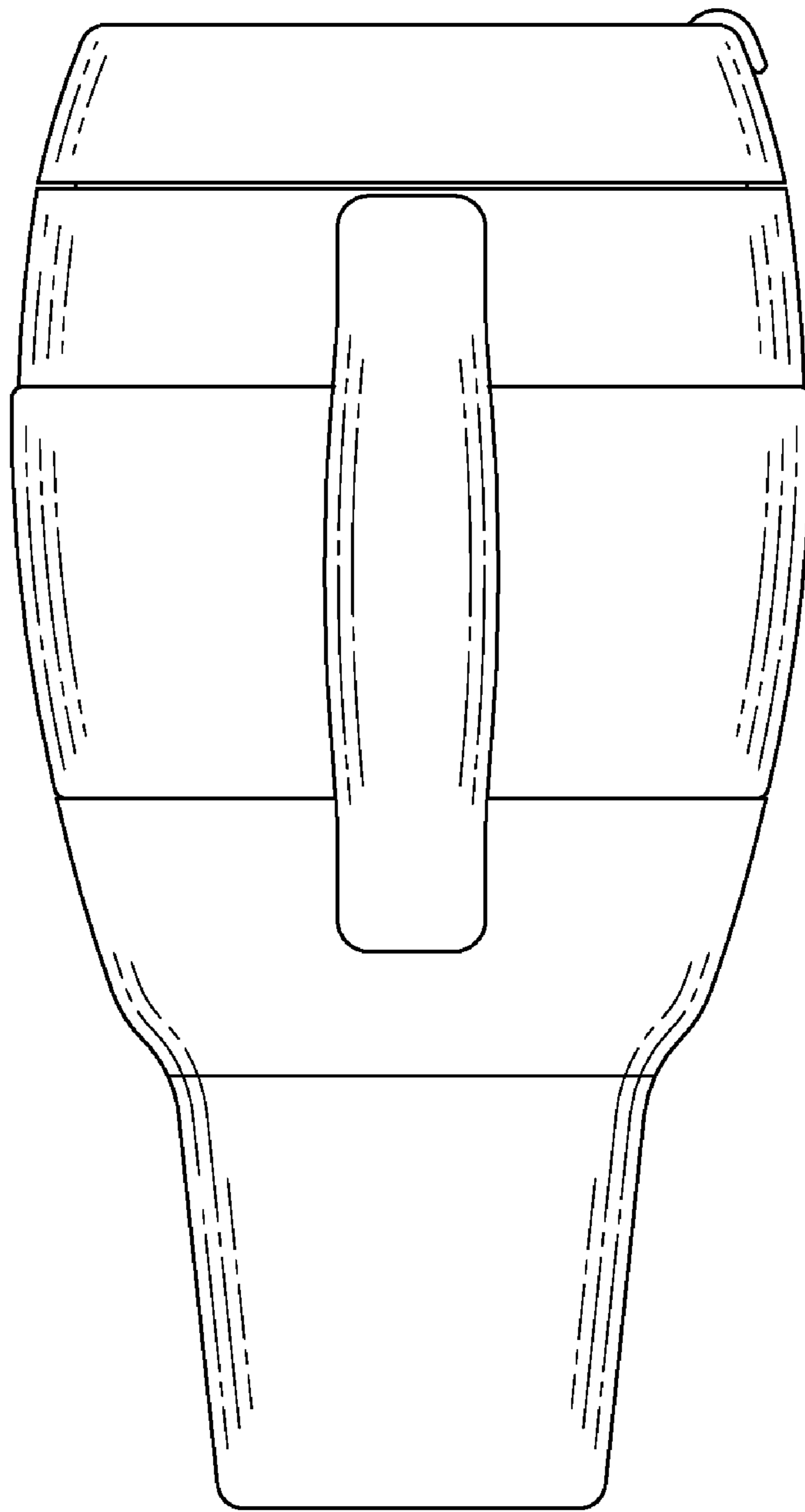


FIG.5

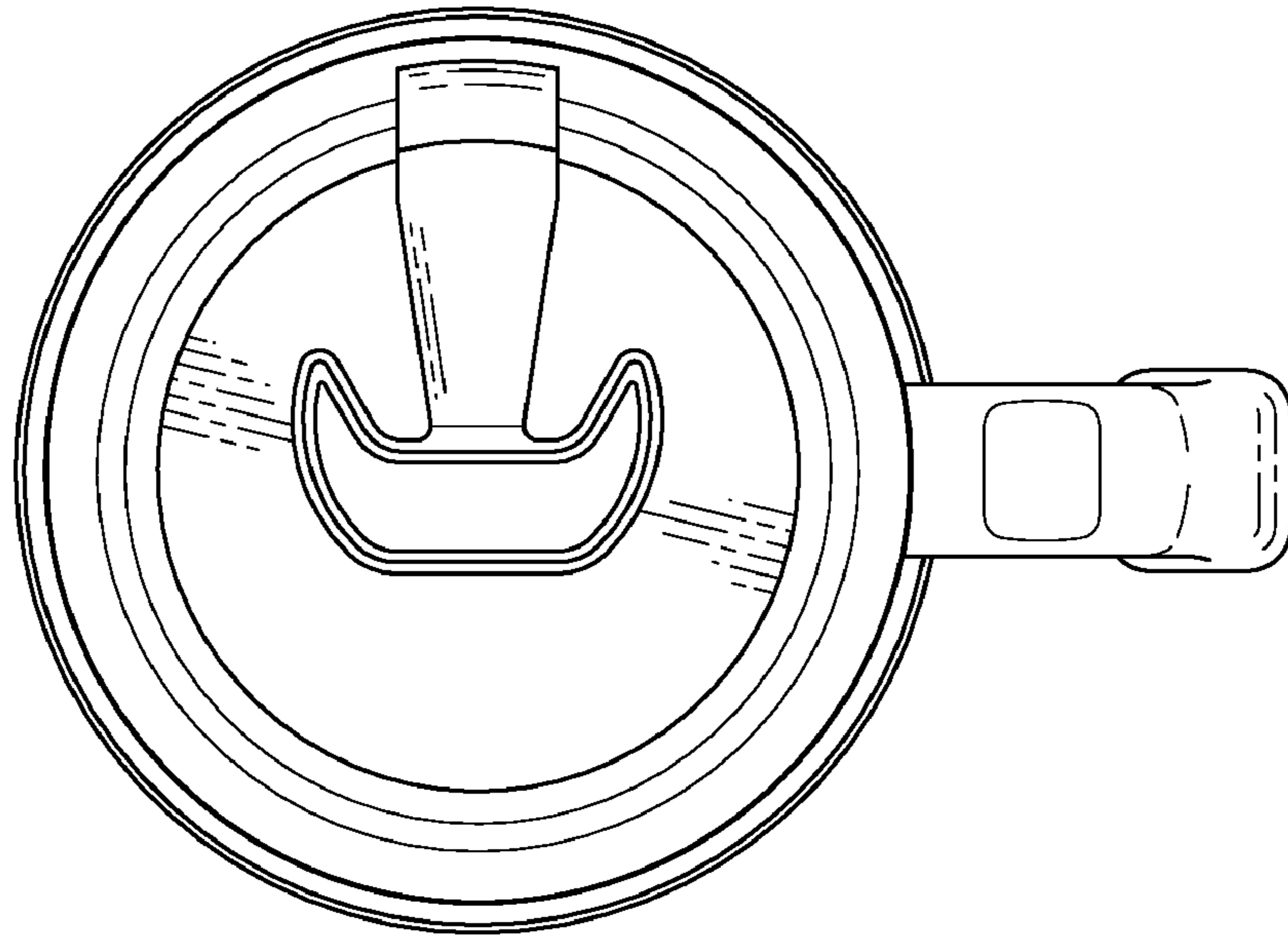


FIG. 6

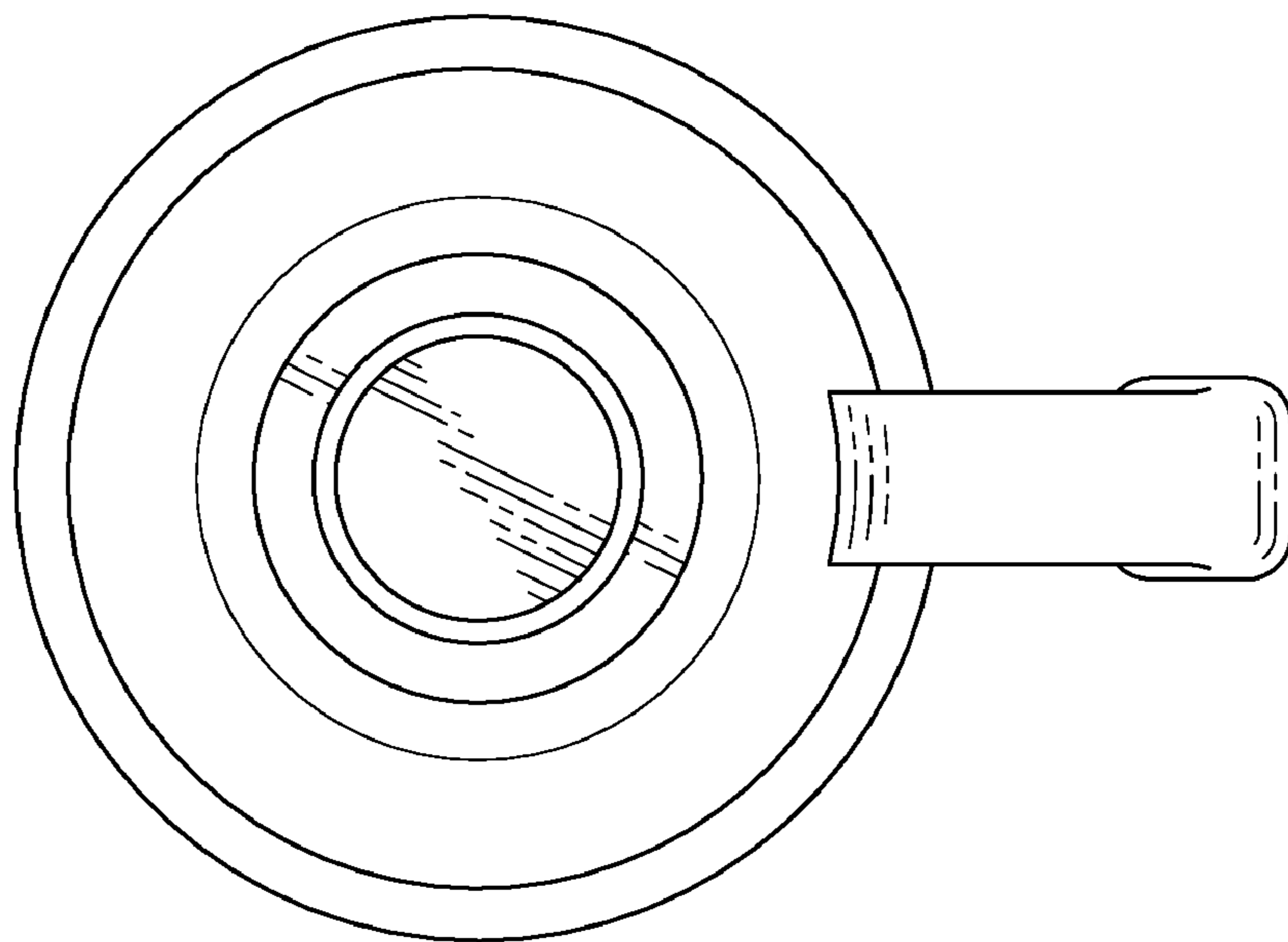


FIG. 7