



US00D564298S

(12) **United States Design Patent**
Short et al.

(10) **Patent No.:** **US D564,298 S**
(45) **Date of Patent:** **** Mar. 18, 2008**

(54) **MIXER**

(75) Inventors: **Ellis G. Short**, Troy, OH (US); **Neal H. Blackburn**, Springfield, OH (US);
David R. Casto, Centerville, OH (US)

(73) Assignee: **Premark FEG L.L.C.**, Wilmington, DE (US)

(**) Term: **14 Years**

(21) Appl. No.: **29/277,556**

(22) Filed: **Mar. 1, 2007**

Related U.S. Application Data

(62) Division of application No. 29/216,770, filed on Nov. 9, 2004, now Pat. No. Des. 540,113.

(51) **LOC (8) Cl.** **31-00**

(52) **U.S. Cl.** **D7/412; D7/376**

(58) **Field of Classification Search** D7/376-386,
D7/412-414, 665; 99/509-511; 241/30-37.5,
241/101.01-101.2, 166-169.1, 274-278.2,
241/285.1-285.3, 291, 292.1; 366/53-67,
366/98, 197-221, 241-254, 279-292, 341-347,
366/325.94

See application file for complete search history.

(56) **References Cited**

U.S. PATENT DOCUMENTS

1,743,271 A	1/1930	Gould	
1,761,237 A	6/1930	Schiff	
D86,505 S *	3/1932	Meeker D7/379
2,024,282 A	12/1935	Geiger	
D111,616 S	10/1938	Rosengren	
D116,747 S *	9/1939	Meeker et al. D7/379
D131,792 S	3/1942	Strauss	

(Continued)

FOREIGN PATENT DOCUMENTS

GB 2075103 9/1998

(Continued)

OTHER PUBLICATIONS

Hobart Food Equipment N-50; Jun. 2000; 1 Page.

(Continued)

Primary Examiner—Cathron C. Brooks

Assistant Examiner—Ricky Pham

(74) *Attorney, Agent, or Firm*—Thompson Hine LLP

(57) **CLAIM**

The ornamental design for a mixer, as shown and described.

DESCRIPTION

FIG. 1 is a perspective view of a first embodiment of the mixer showing our new design;

FIG. 2 is a front elevation view of the mixer head of FIG. 1;

FIG. 3 is a left elevation view of the mixer head of FIG. 1;

FIG. 4 is a rear elevation of the mixer head of FIG. 1;

FIG. 5 is a right elevation view of the mixer head of FIG. 1;

FIG. 6 is a top view of the mixer head of FIG. 1;

FIG. 7 is a perspective view of a second embodiment of the mixer showing our new design with the control console unclaimed;

FIG. 8 is a front elevation view of the mixer head of FIG. 7;

FIG. 9 is a left elevation view of the mixer head of FIG. 7;

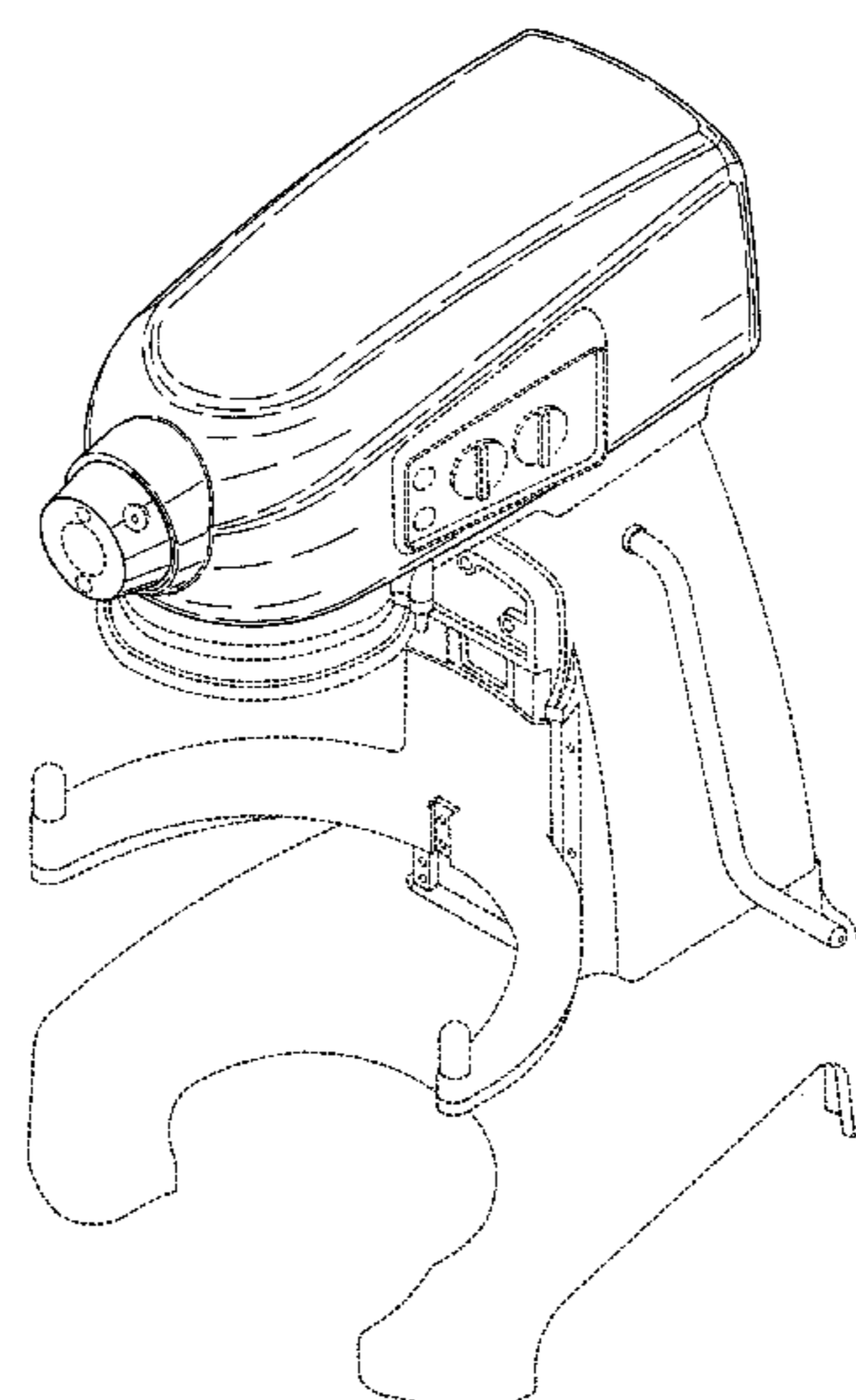
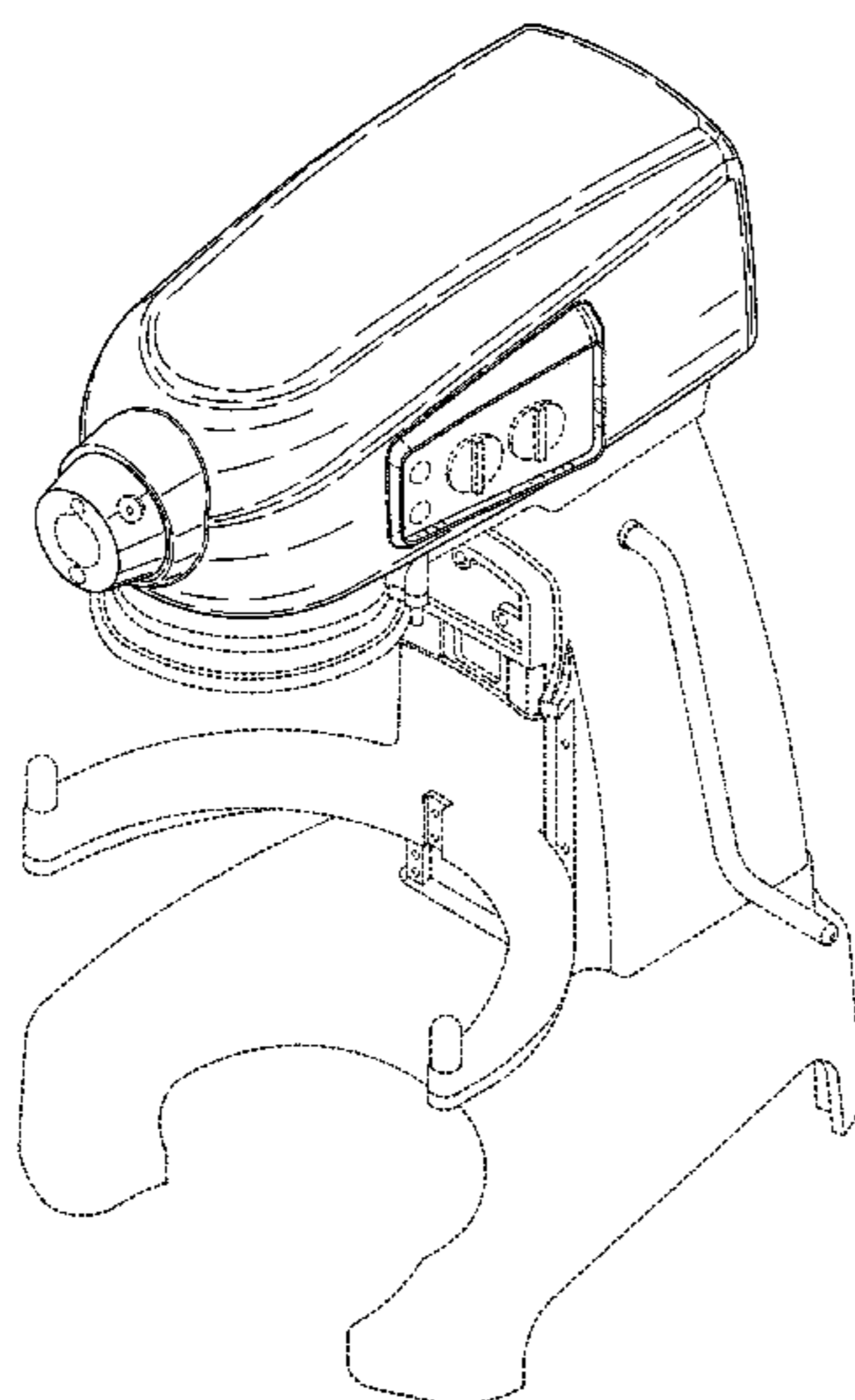
FIG. 10 is a rear elevation of the mixer head of FIG. 7;

FIG. 11 is a right elevation view of the mixer head of FIG. 7; and,

FIG. 12 is a top view of the mixer head of FIG. 7.

The broken lines shown in FIGS. 1-12 are for illustrative purposes only and form no part of the claimed design.

1 Claim, 12 Drawing Sheets



US D564,298 S

Page 2

U.S. PATENT DOCUMENTS

2,306,245 A 12/1942 Duke
D162,875 S * 4/1951 Polivka et al. D7/379
D163,423 S 5/1951 Schimanski
D168,037 S * 10/1952 Karstadt D7/379
D170,130 S 8/1953 Moore
D180,952 S 9/1957 Kaempf
2,931,232 A 4/1960 Martin
D189,936 S * 3/1961 Grange D7/379
D205,092 S 6/1966 Ewart
4,790,665 A 12/1988 Hayashi
4,900,160 A * 2/1990 Brooks et al. 366/347
D322,010 S * 12/1991 Doggett D7/379
D362,994 S 10/1995 Raterman et al.
5,472,276 A 12/1995 Ratermann et al.
D378,560 S * 3/1997 Myers et al. D7/379
5,660,469 A 8/1997 Seguin
D394,781 S * 6/1998 Doggett D7/379
5,758,963 A 6/1998 Xie et al.
D400,759 S 11/1998 Doggett
5,860,738 A 1/1999 Brinkman
D416,752 S 11/1999 Leverrier
6,068,398 A 5/2000 Lin
D436,497 S * 1/2001 Nalbandian D7/379
D459,145 S 6/2002 Short
6,435,708 B1 8/2002 Huang
6,494,610 B1 12/2002 Brunswick
D468,581 S * 1/2003 Short D7/379
D470,717 S 2/2003 Kaiser

D482,564 S 11/2003 Short
D490,271 S 5/2004 Short
D499,604 S 12/2004 Hooper et al.
6,883,959 B2 4/2005 Donthnier et al.
6,953,278 B2 * 10/2005 Short et al. 366/206
D540,113 S * 4/2007 Short et al. D7/376
2002/0181322 A1 12/2002 Brunswick et al.

FOREIGN PATENT DOCUMENTS

GB 3000822 7/2002
WO WO 2005034699 A1 * 4/2005

OTHER PUBLICATIONS

Hobart Food Equipment A-120 Mixer; Jun. 2000; 1 Page.
Hobart Food Equipment A-200 Mixer; Jun. 2000; 1 Page.
The Edge publication, vol. Six, Spring 1994; 16 Pages.
US Trademark Registration No. 2,206,296; Registered Dec. 1, 1998.
Univex Food Preparation Equipment price list/catalog; Nov. 1, 2001; p. 3, Planetary Mixer SRM60+ Floor model mixer PN 1064402; bottom left of page.
Thunderbird bakery equipment & food machines flyer; copyright Jul. 1999; Planetary mixers ARM-02 and ARM-60 at the top and bottom of the page.
US Trademark Registration No. 2,194,508, Registered Oct. 13, 1998.
US Trademark Registration No. 1,553,469, Registered Aug. 29, 1989.

* cited by examiner

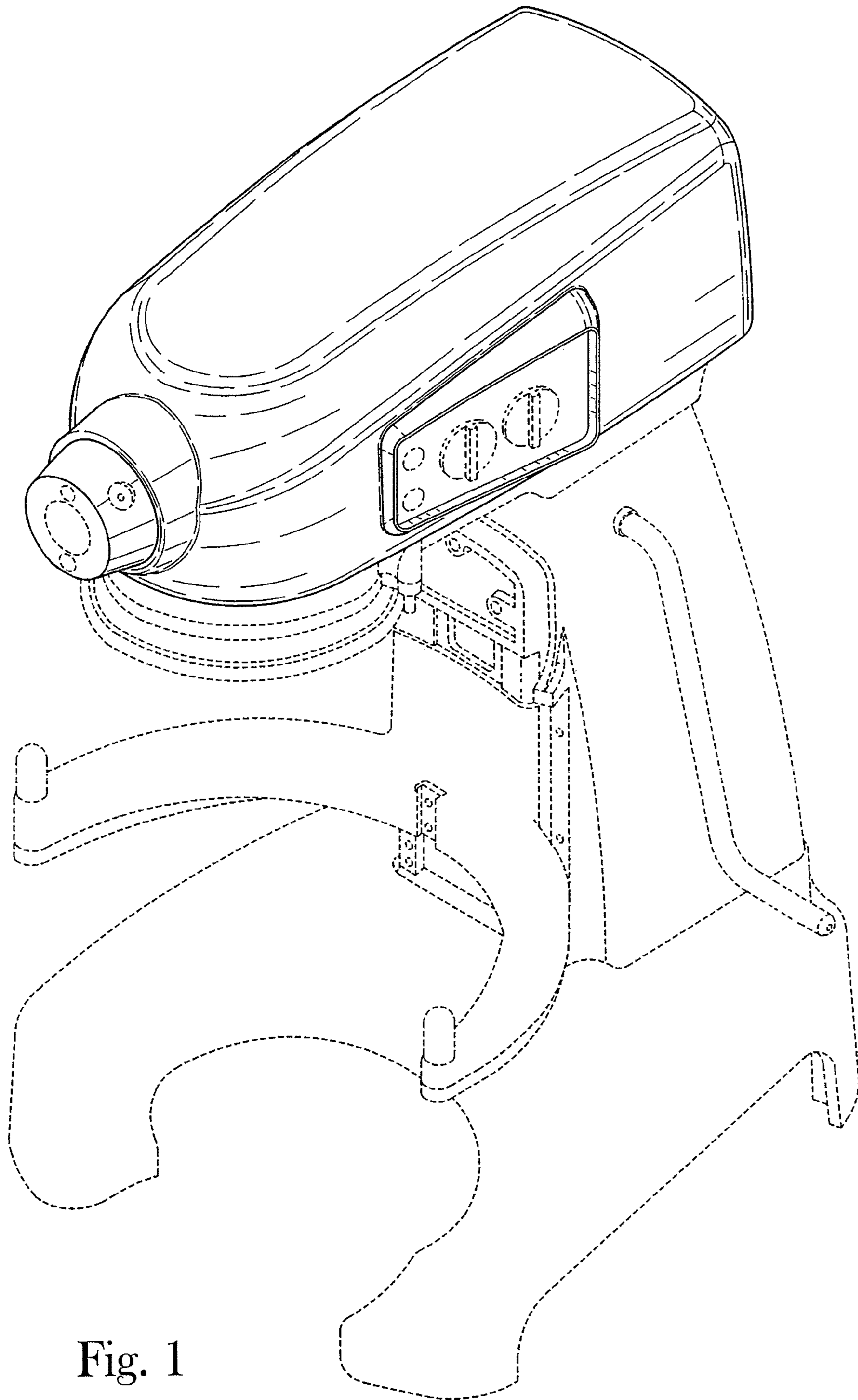


Fig. 1

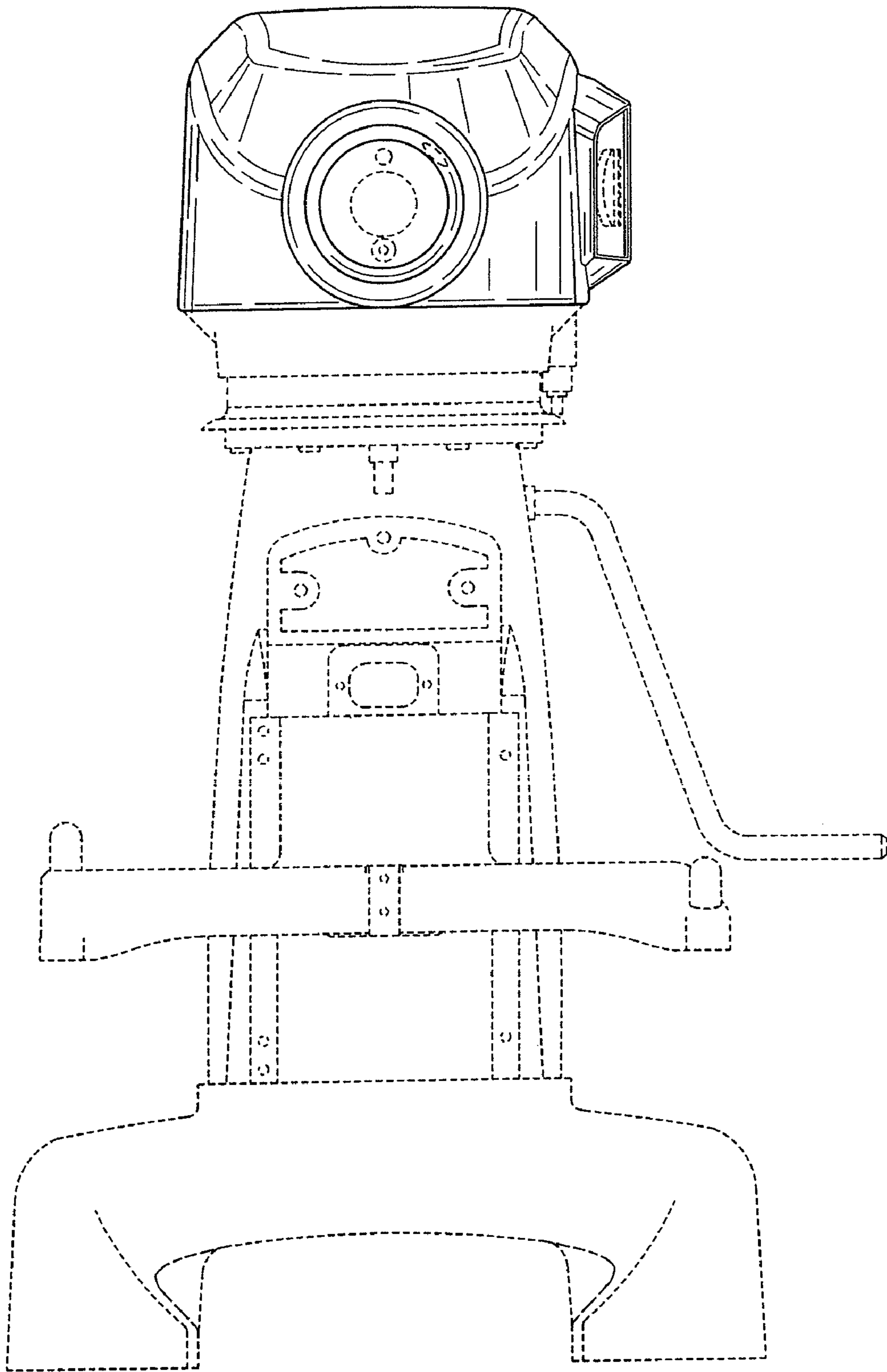


Fig. 2

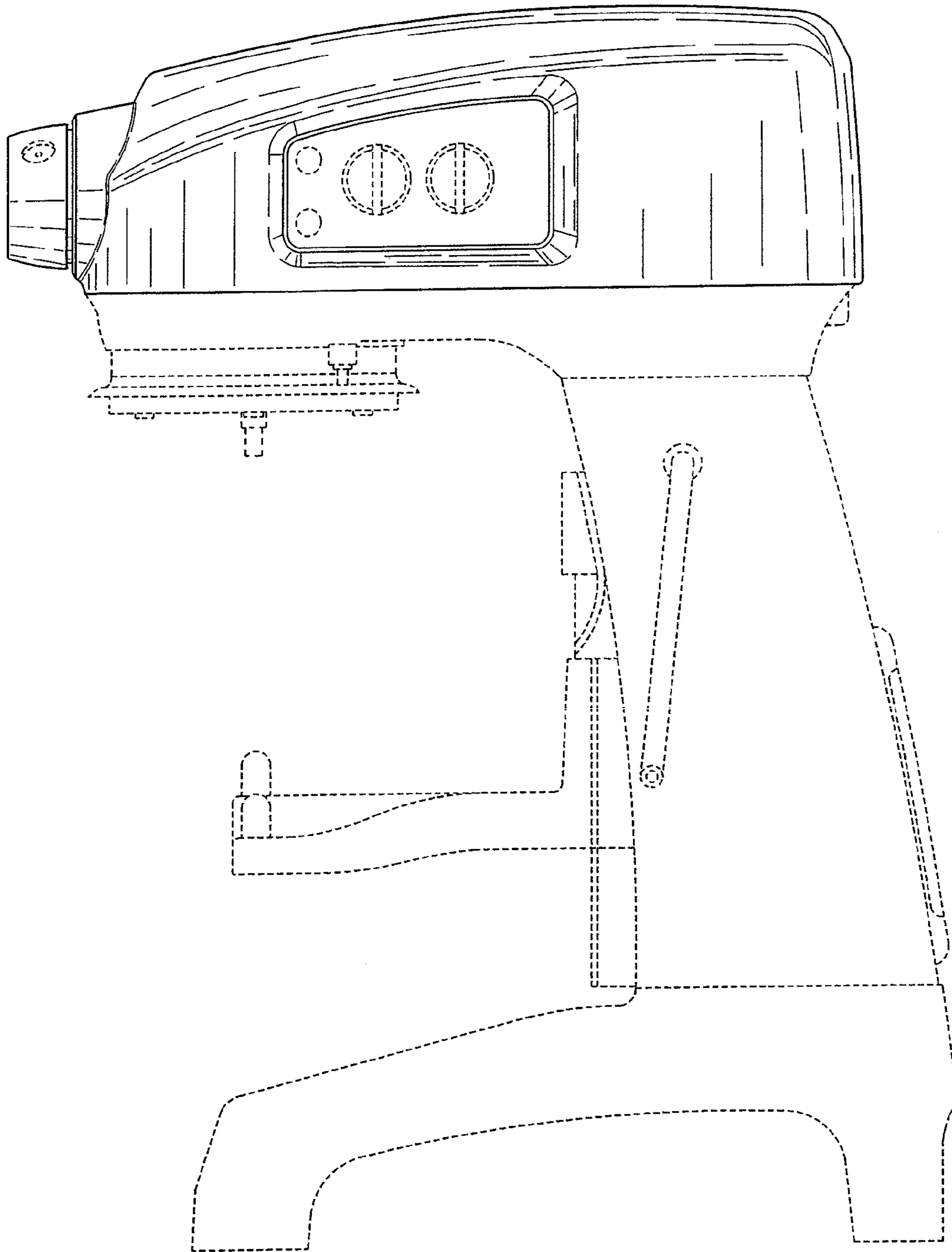


Fig. 3

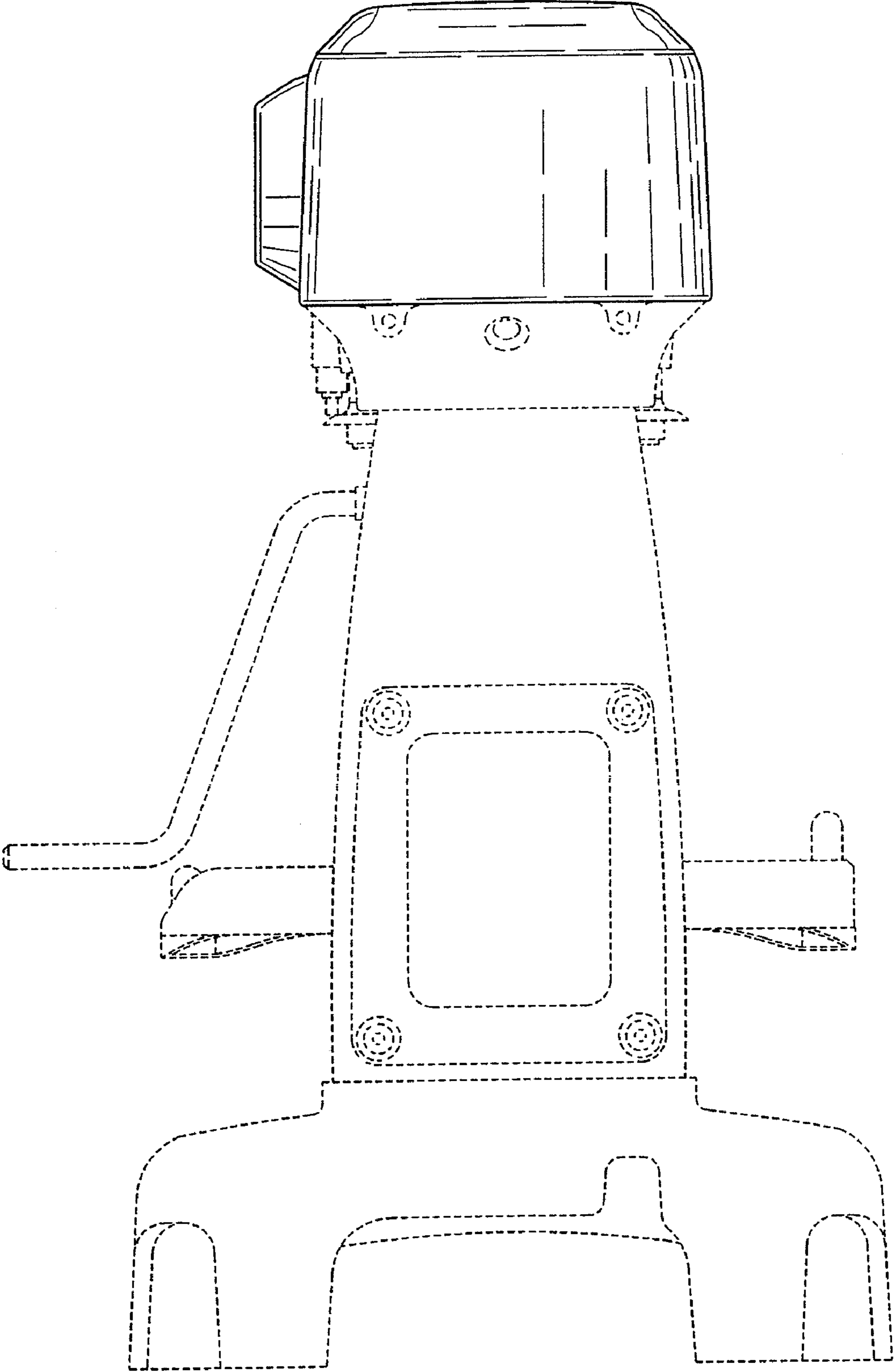


Fig. 4

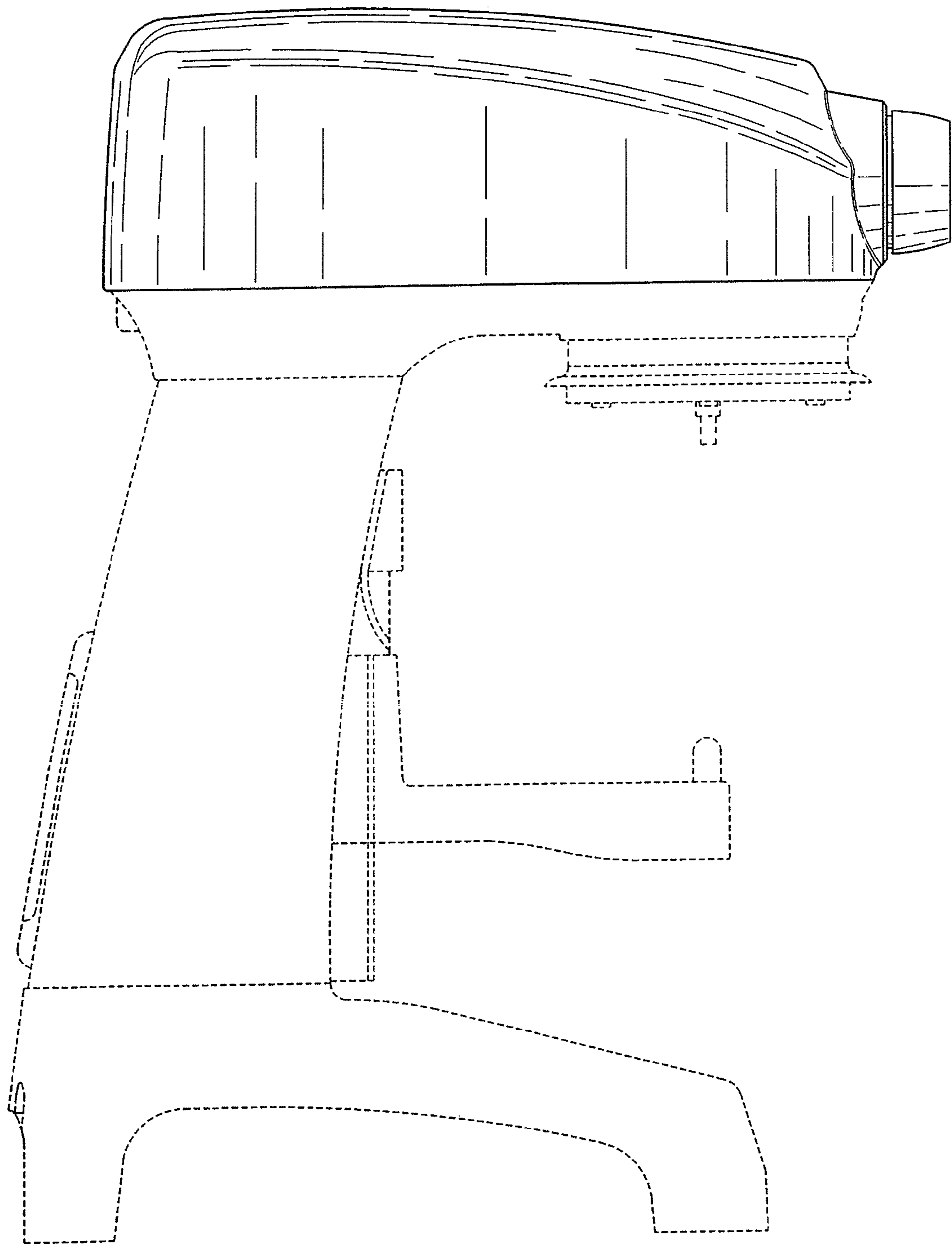


Fig. 5

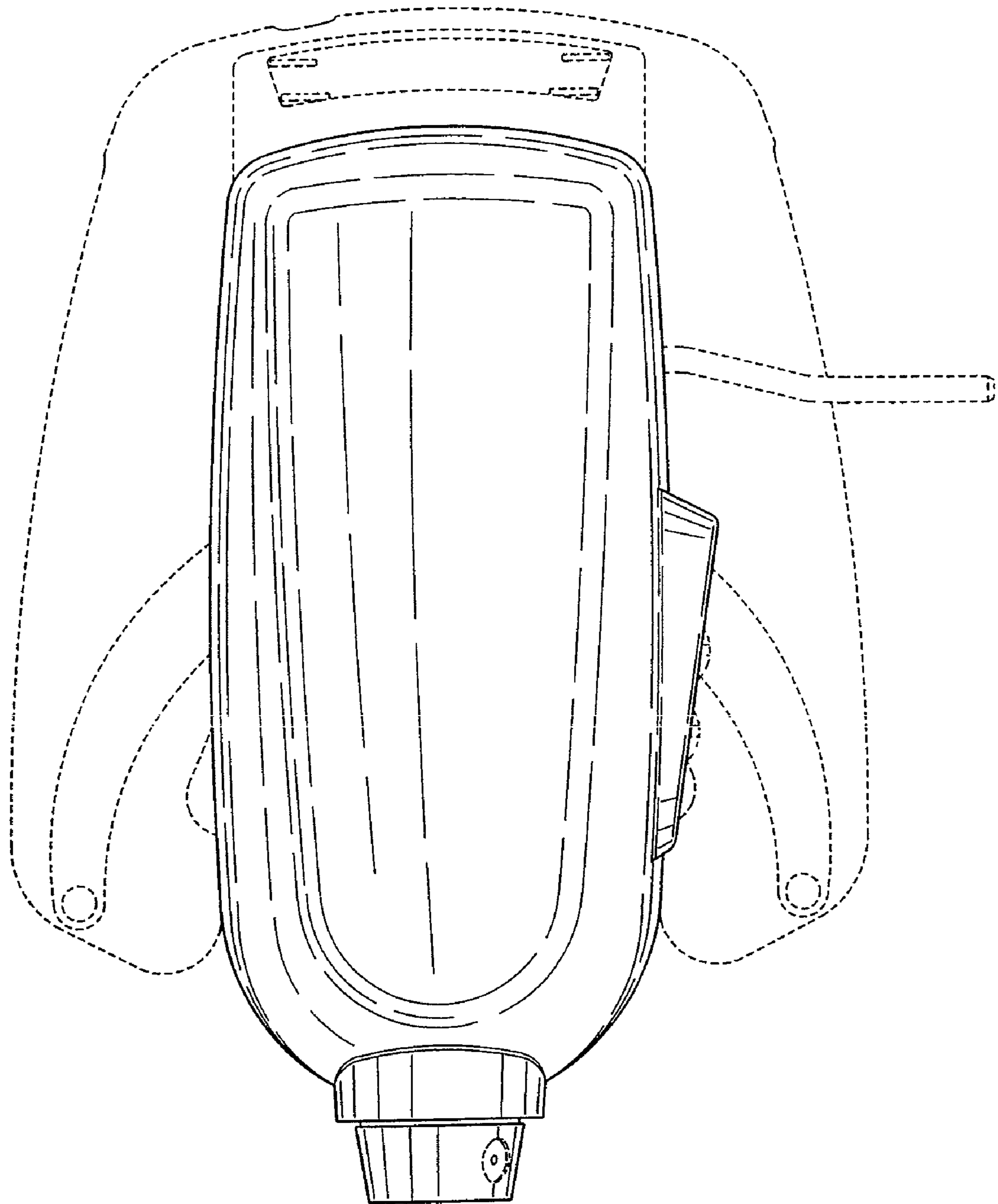


Fig. 6

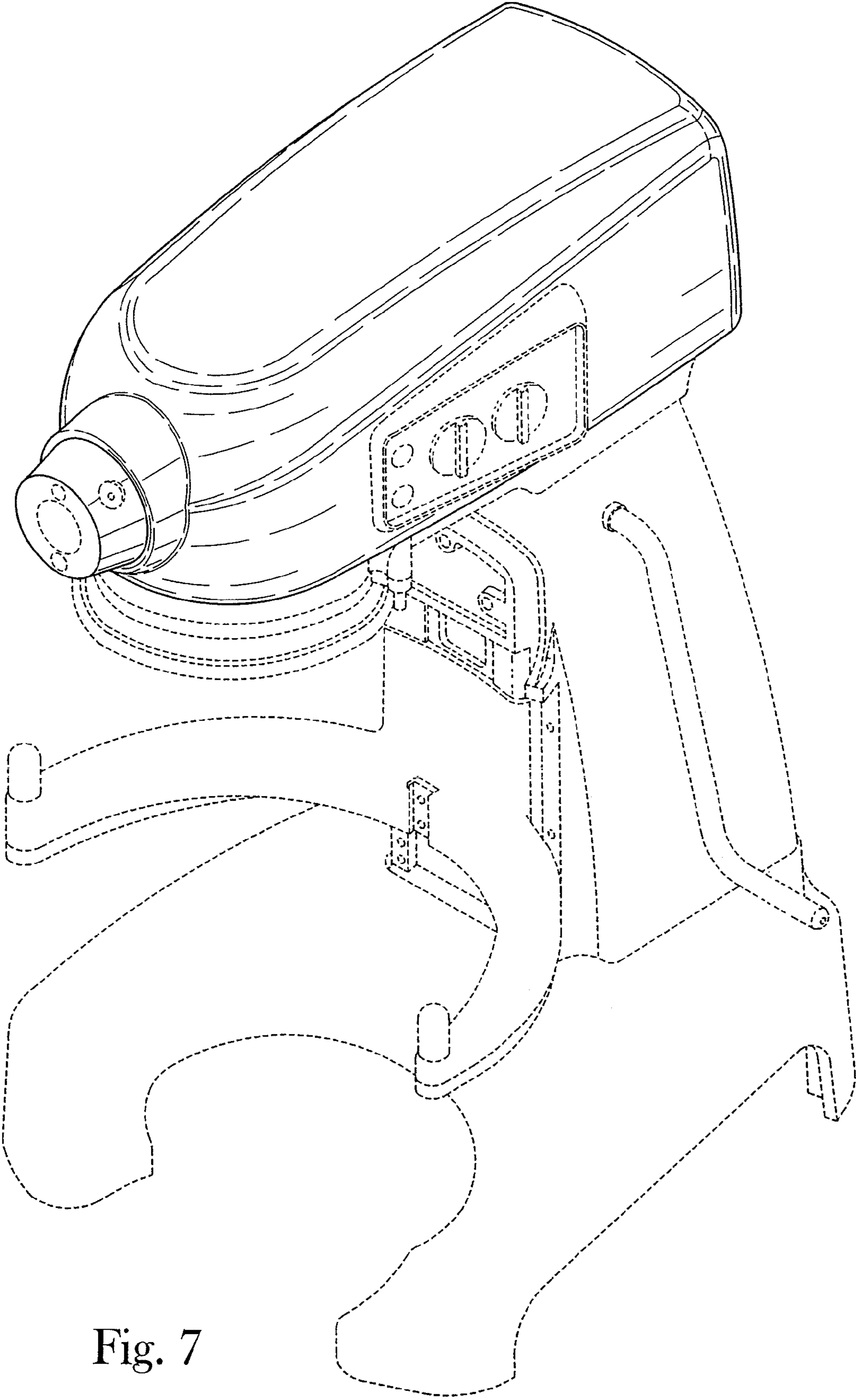


Fig. 7

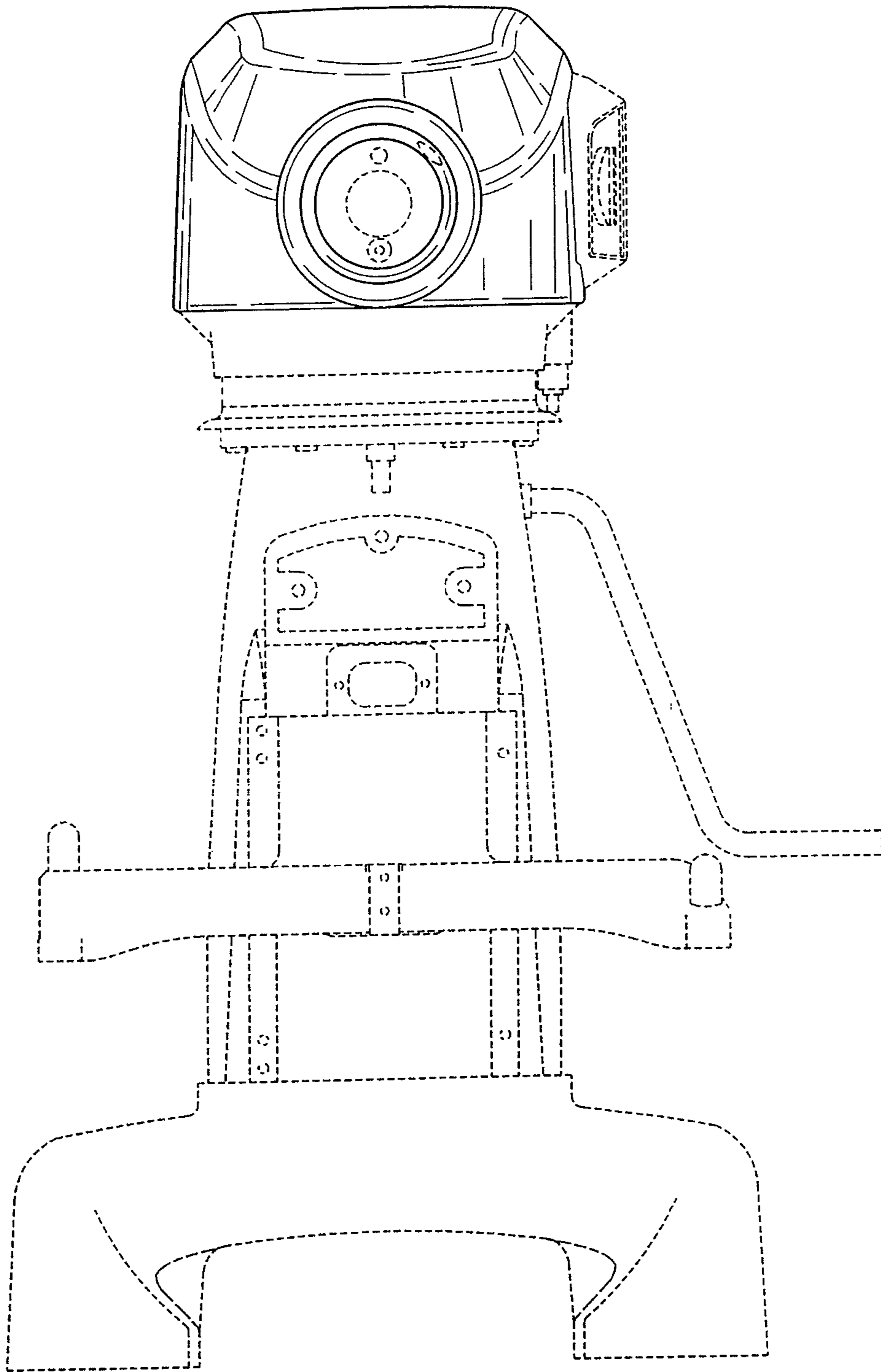


Fig. 8

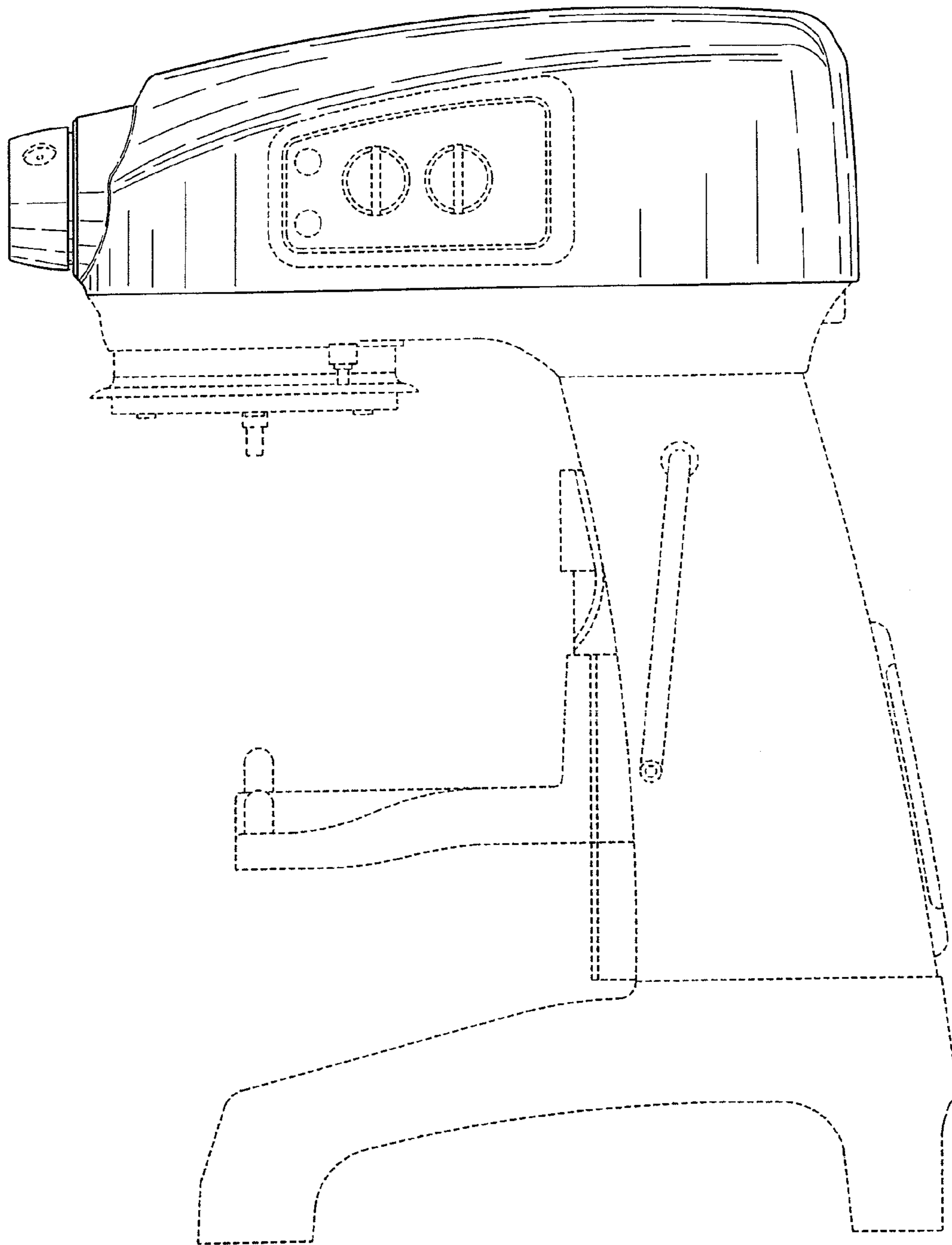


Fig. 9

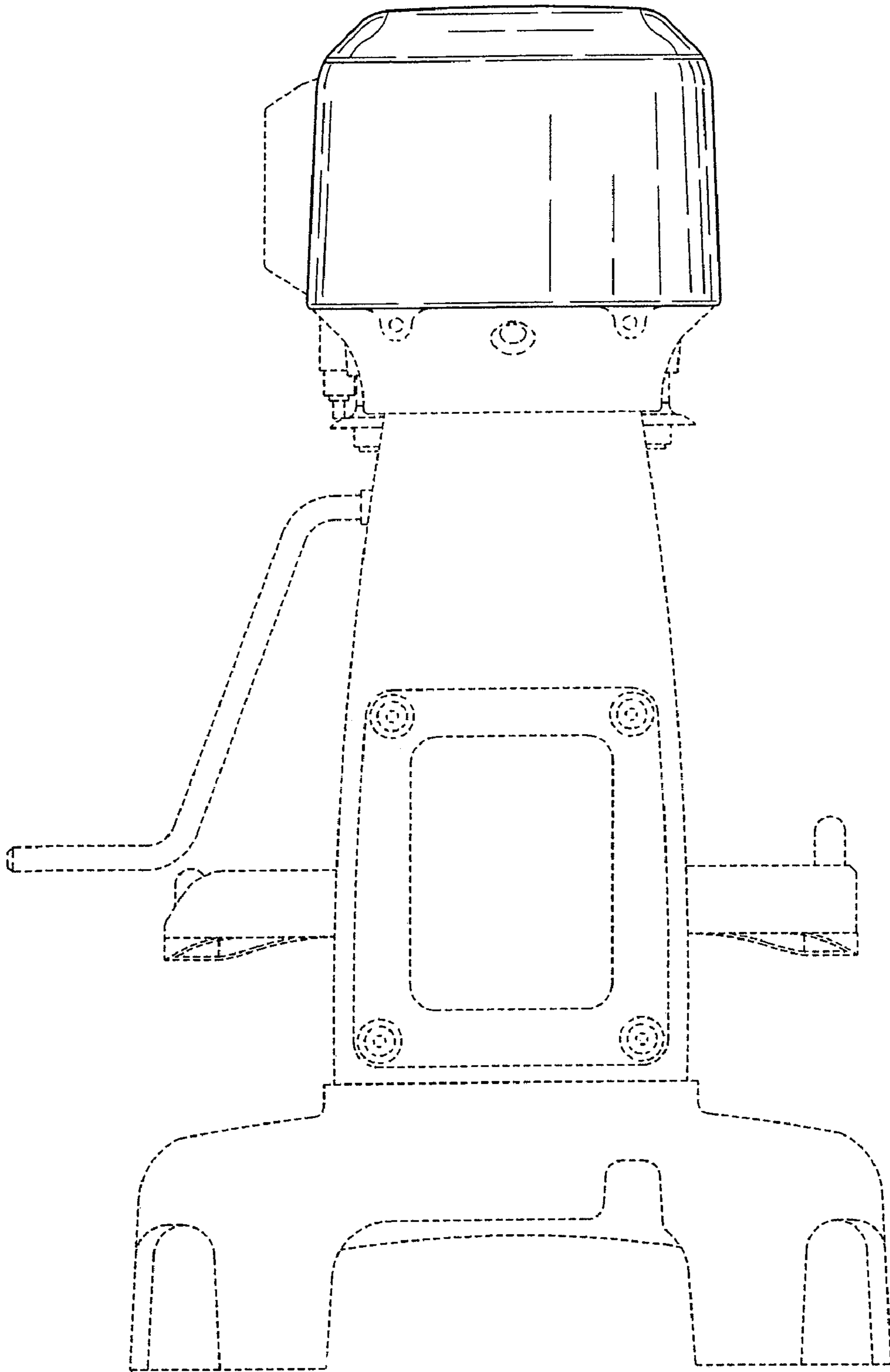


Fig. 10

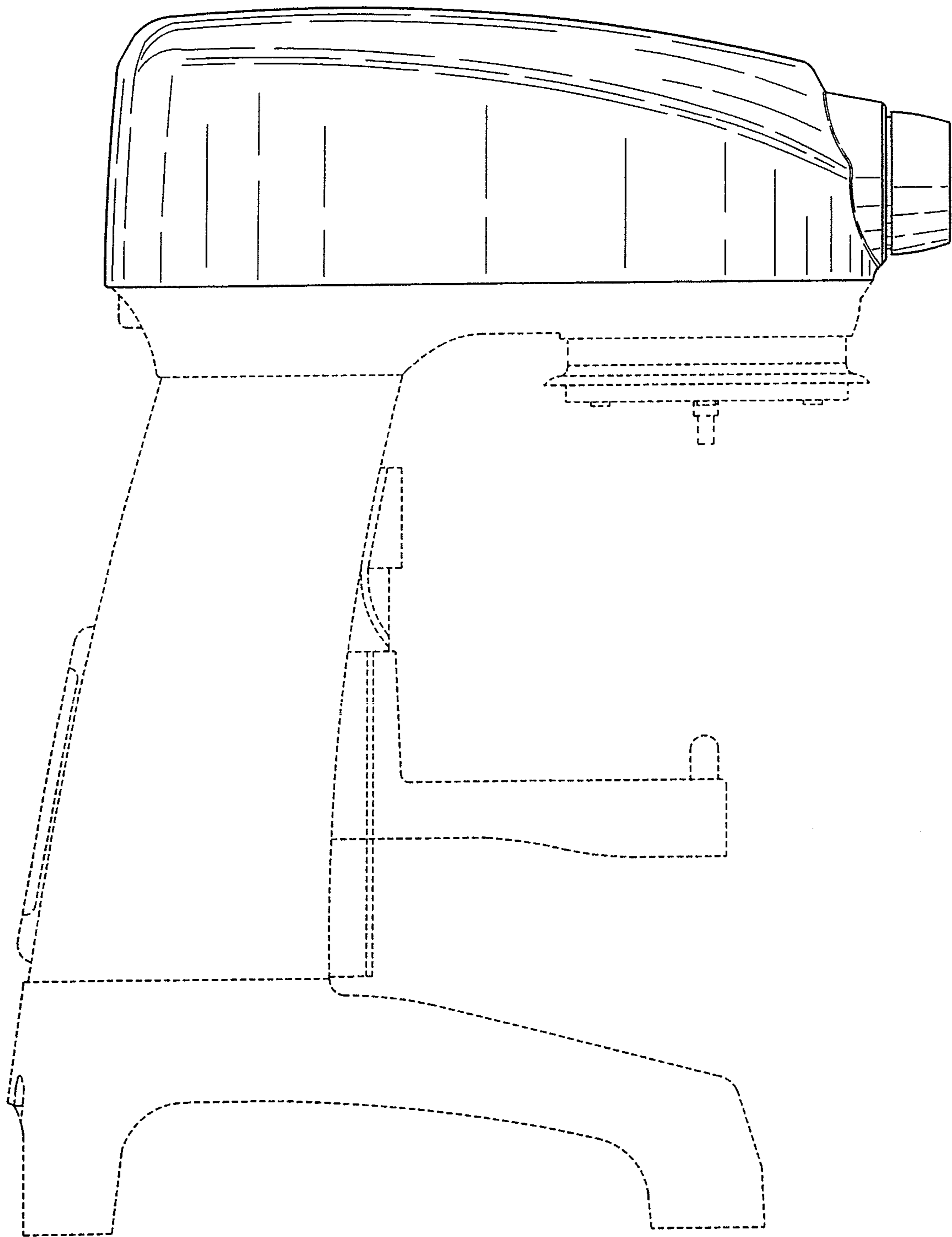


Fig. 11

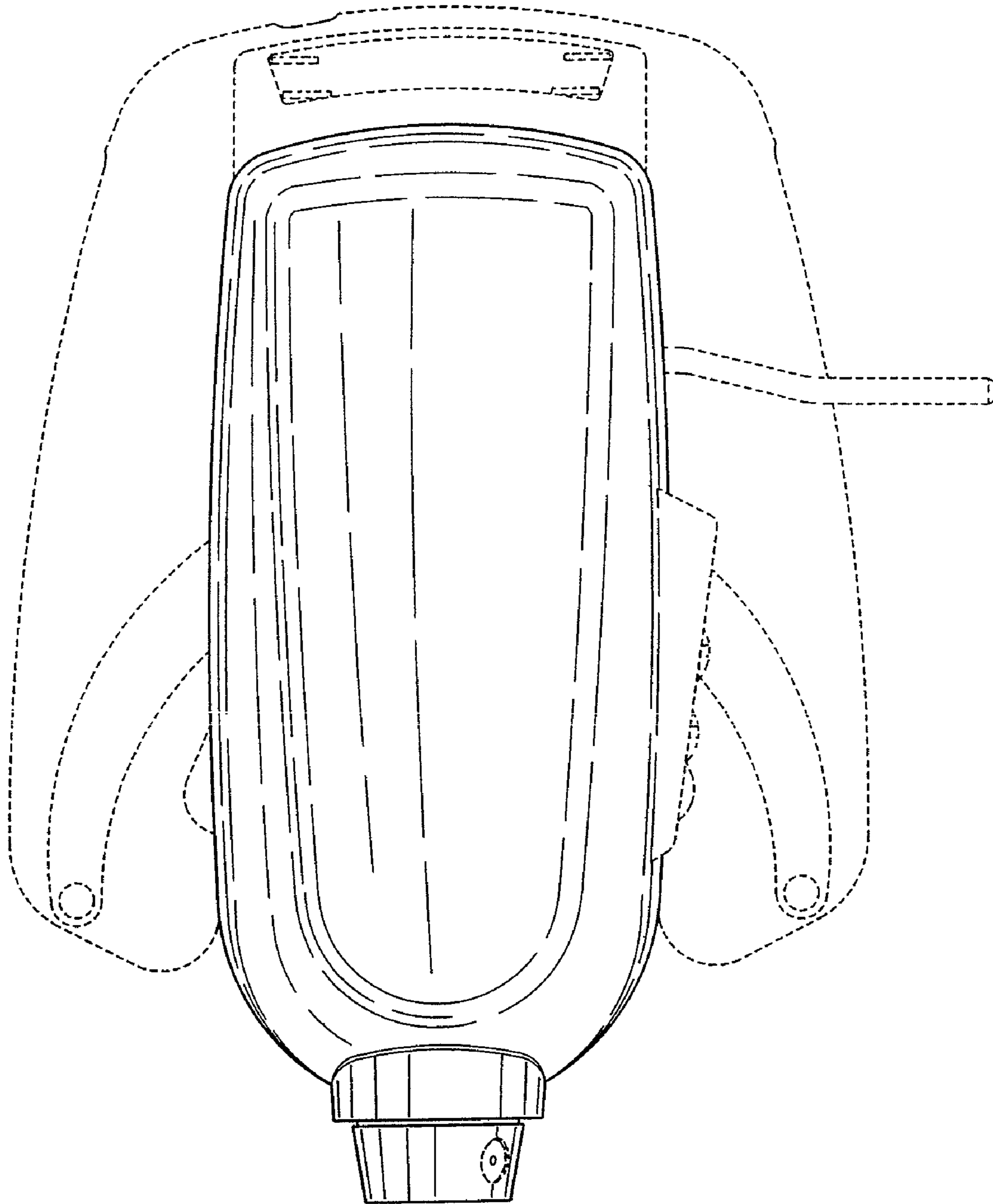


Fig. 12