



US00D564296S

(12) **United States Design Patent**
Koch et al.

(10) **Patent No.:** **US D564,296 S**
(45) **Date of Patent:** **** Mar. 18, 2008**

(54) **BURNER**

D369,517 S * 5/1996 Ferlin D7/407
D524,105 S * 7/2006 Poltronieri D7/407

(75) Inventors: **Jürgen Koch**, Attendorn (DE);
Matthias Müller, Attendorn (DE);
Robert Zink, Hagen (DE)

* cited by examiner

Primary Examiner—Robert A. Delehanty

Assistant Examiner—Mark Cavanna

(73) Assignee: **Isphording Germany GmbH**,
Attendorn (DE)

(74) *Attorney, Agent, or Firm*—Andrew Wilford

(**) Term: **14 Years**

(57) **CLAIM**

(21) Appl. No.: **29/288,972**

The ornamental design for a burner, as shown.

(22) Filed: **Jun. 28, 2007**

DESCRIPTION

(51) **LOC (8) Cl.** **07-02**

FIG. 1 is a perspective view from above of a first embodiment of the burner according to the invention;

(52) **U.S. Cl.** **D7/407**

FIG. 2 is a perspective view from below of the FIG. 1 burner;

(58) **Field of Classification Search** D7/136,
D7/402, 407; D23/129, 386, 415, 418; 126/39 E,
126/39 J; 431/264, 266

FIG. 3 is a front elevational view of the FIG. 1 burner;

FIG. 4 is a side elevational view of the FIG. 1 burner;

See application file for complete search history.

FIG. 5 is a perspective view from above of a second embodiment of the burner according to the invention;

FIG. 6 is a perspective view from below of the FIG. 5 burner;

(56) **References Cited**

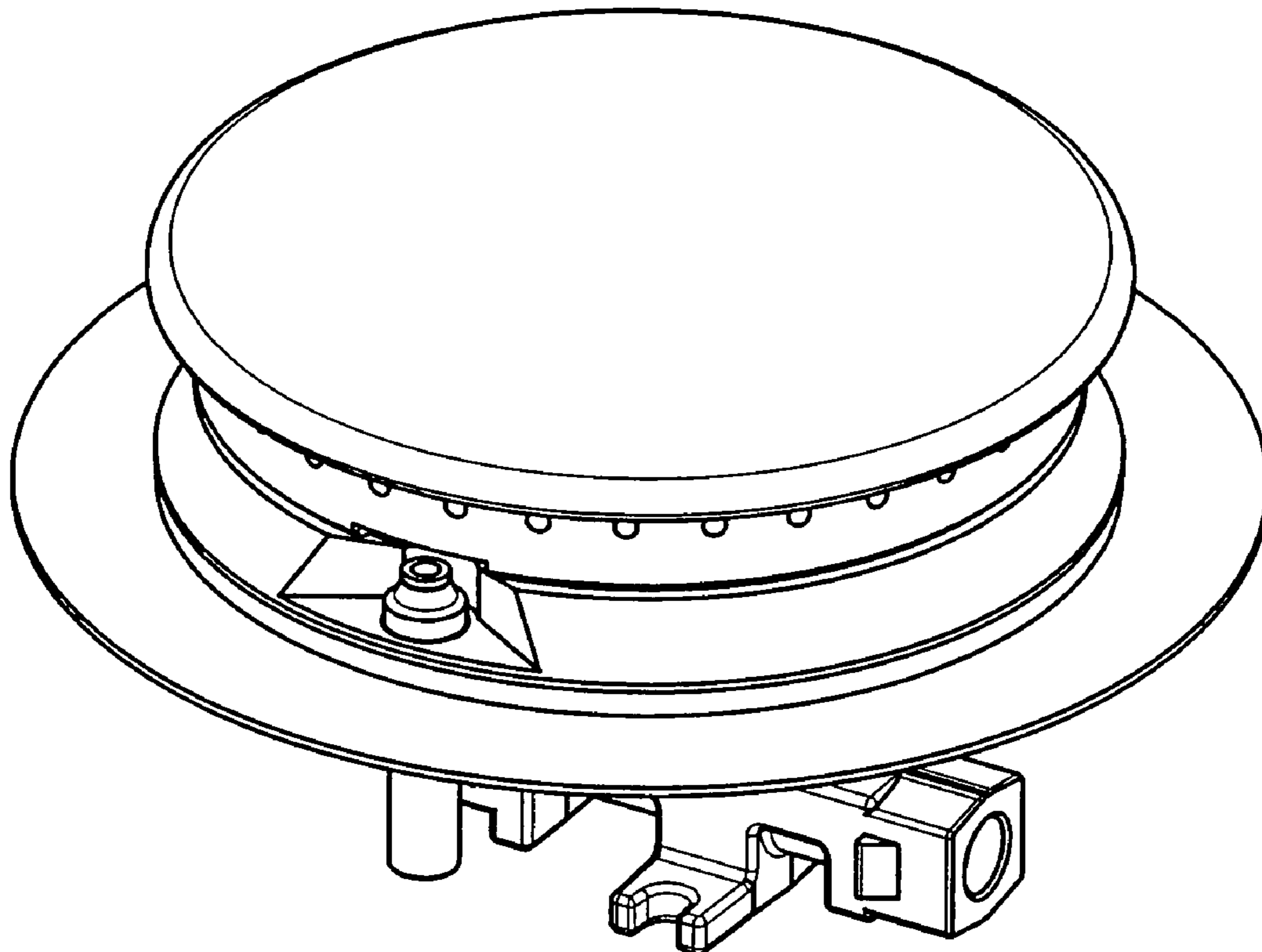
U.S. PATENT DOCUMENTS

D191,085 S * 8/1961 Kindl D7/407
D228,766 S * 10/1973 Strohrer D23/415
D236,418 S * 8/1975 Duperow et al. D7/407
4,846,671 A * 7/1989 Kwiatek 431/266
5,152,276 A * 10/1992 Brock et al. 126/39 E
5,397,234 A * 3/1995 Kwiatek 431/264

FIG. 7 is a front elevational view of the FIG. 5 burner; and,

FIG. 8 is a side elevational view of the FIG. 5 burner.

1 Claim, 8 Drawing Sheets



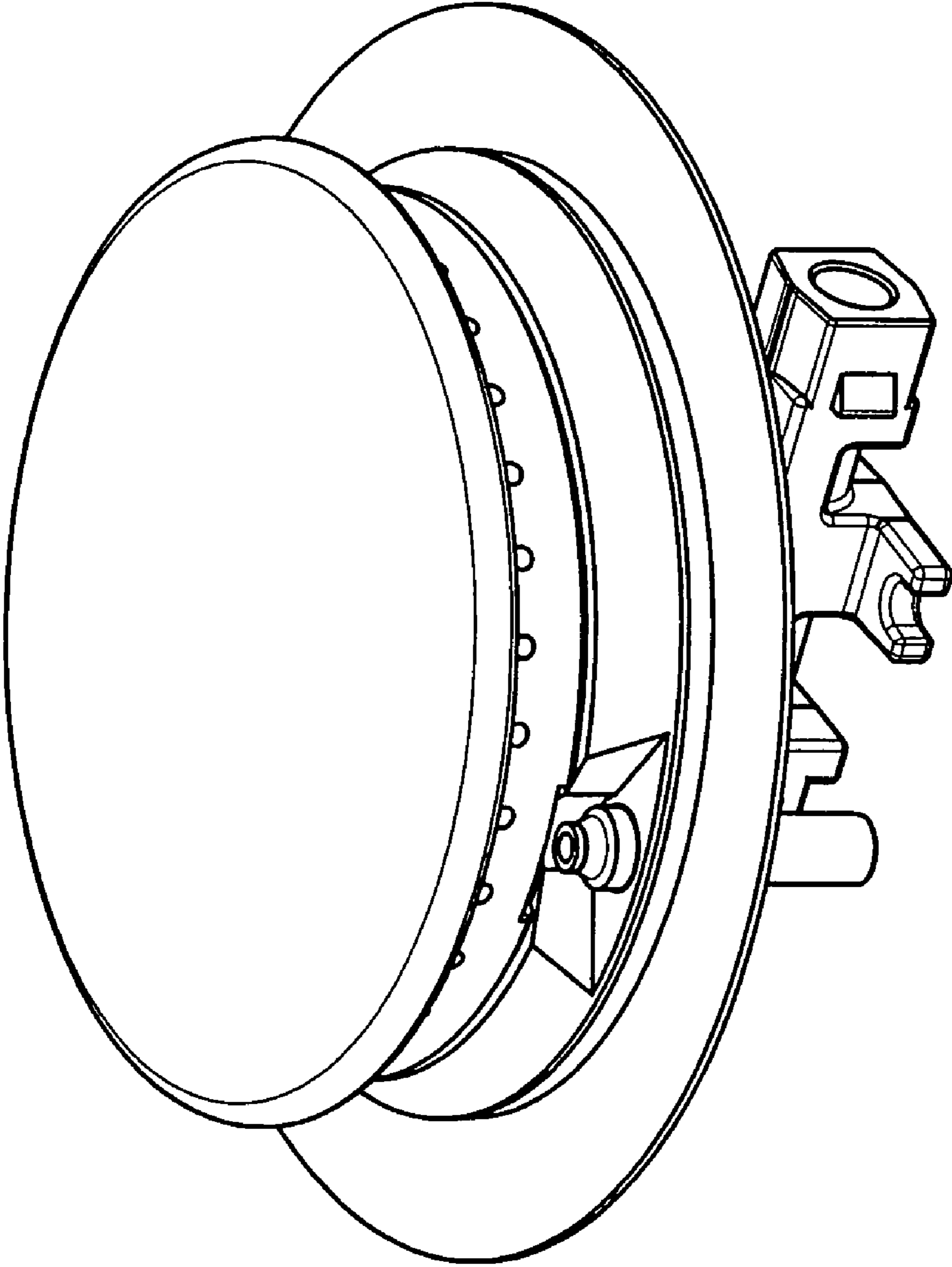


FIG.1

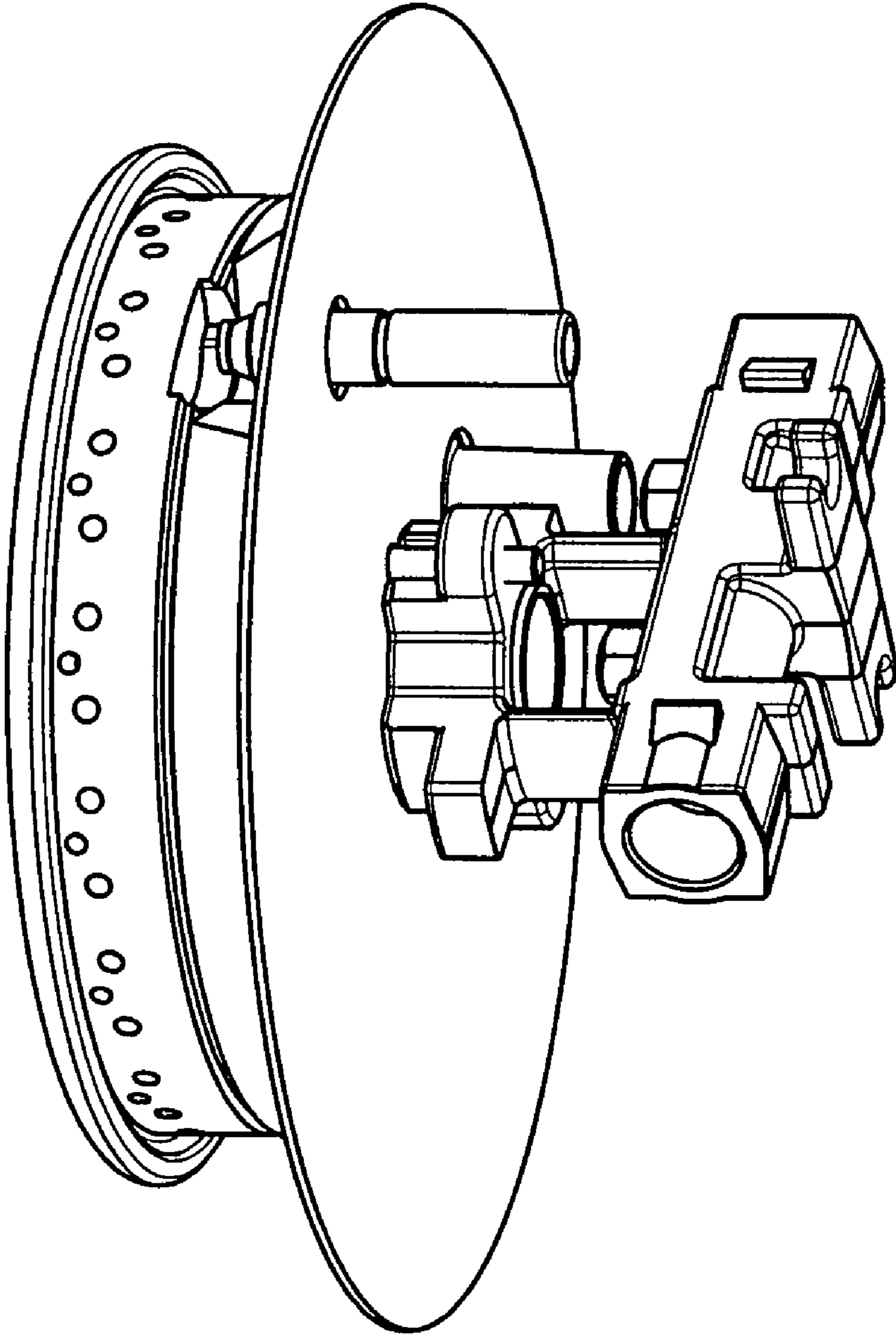


FIG.2

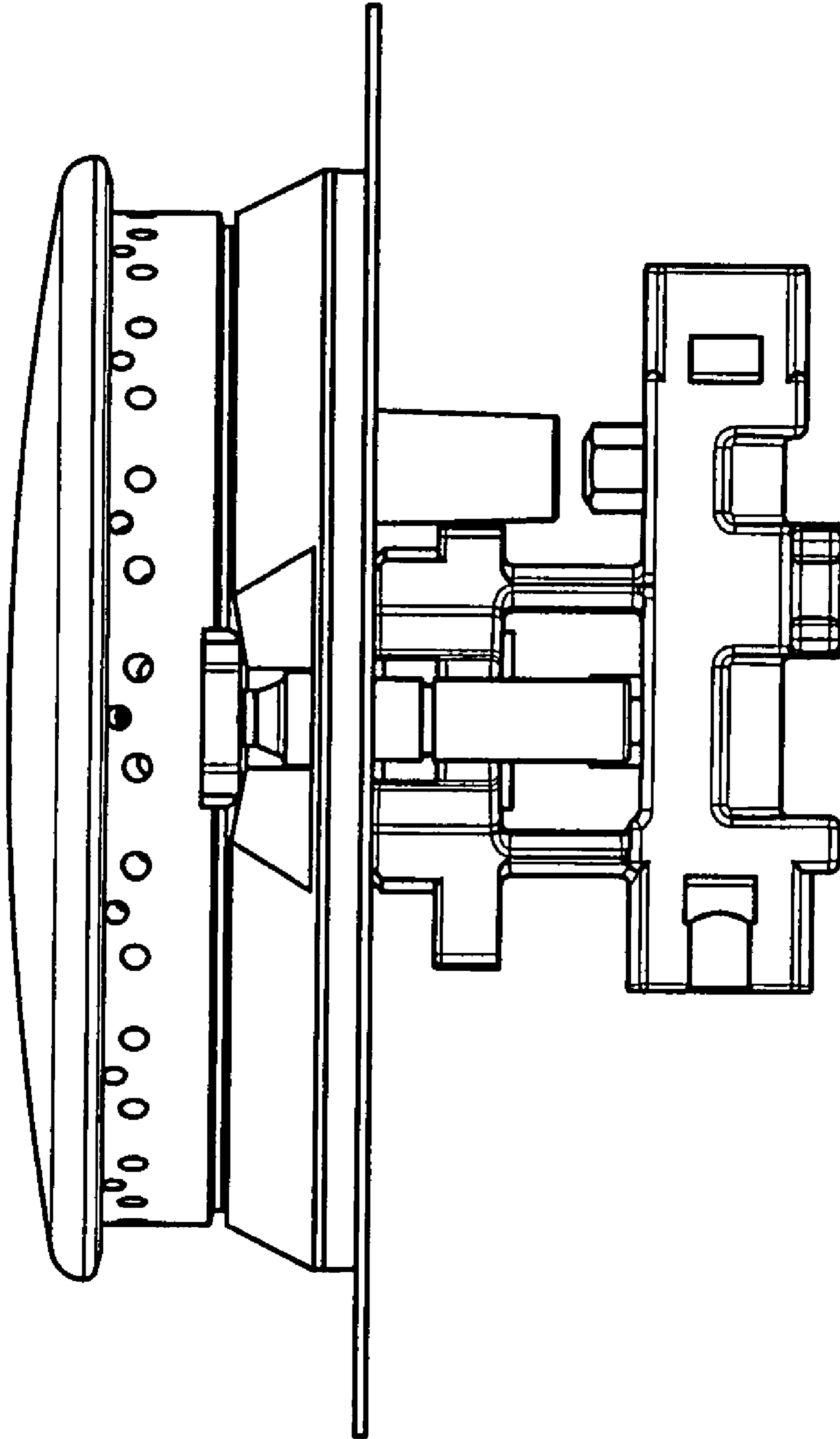


FIG. 3

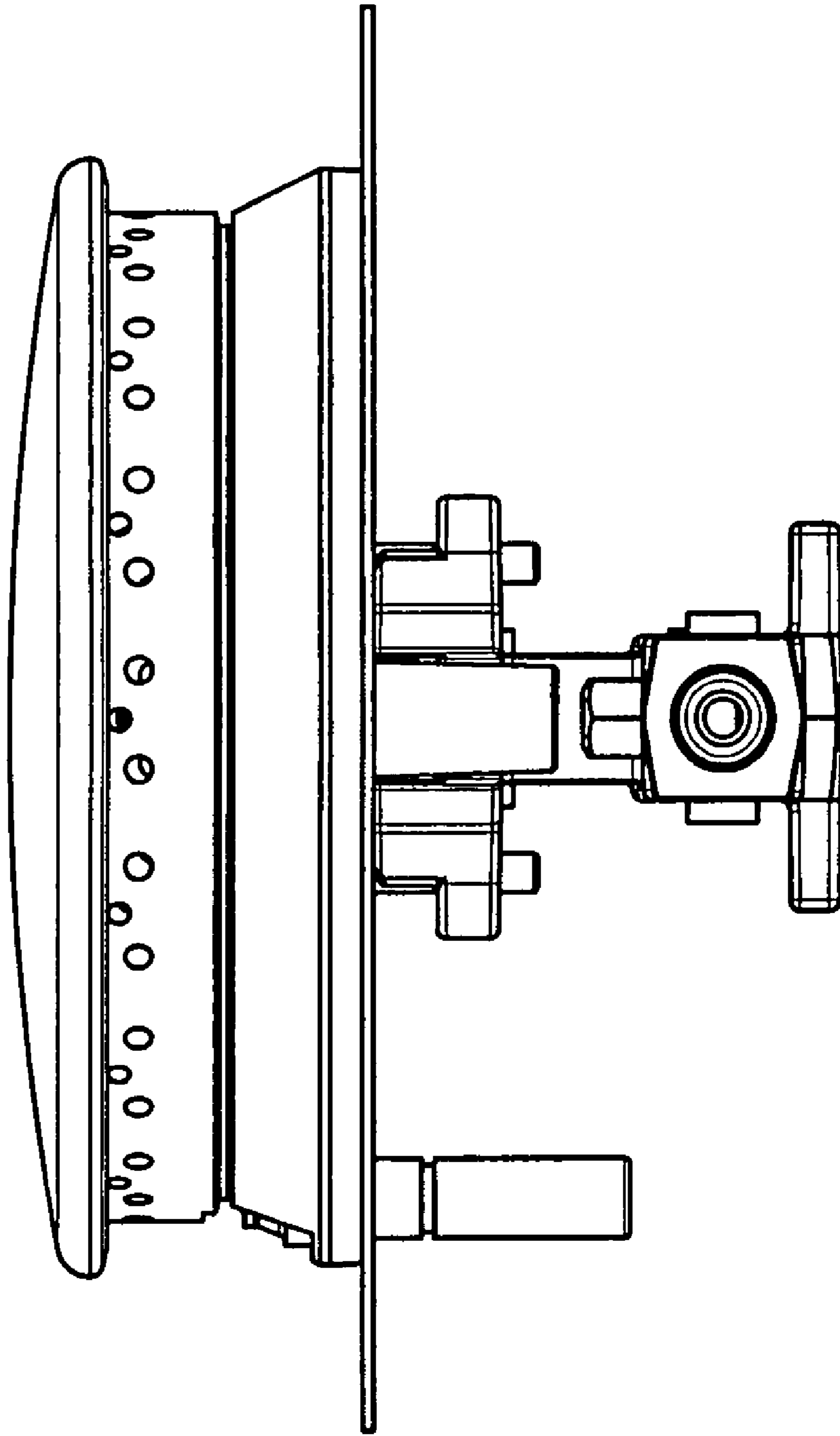


FIG. 4

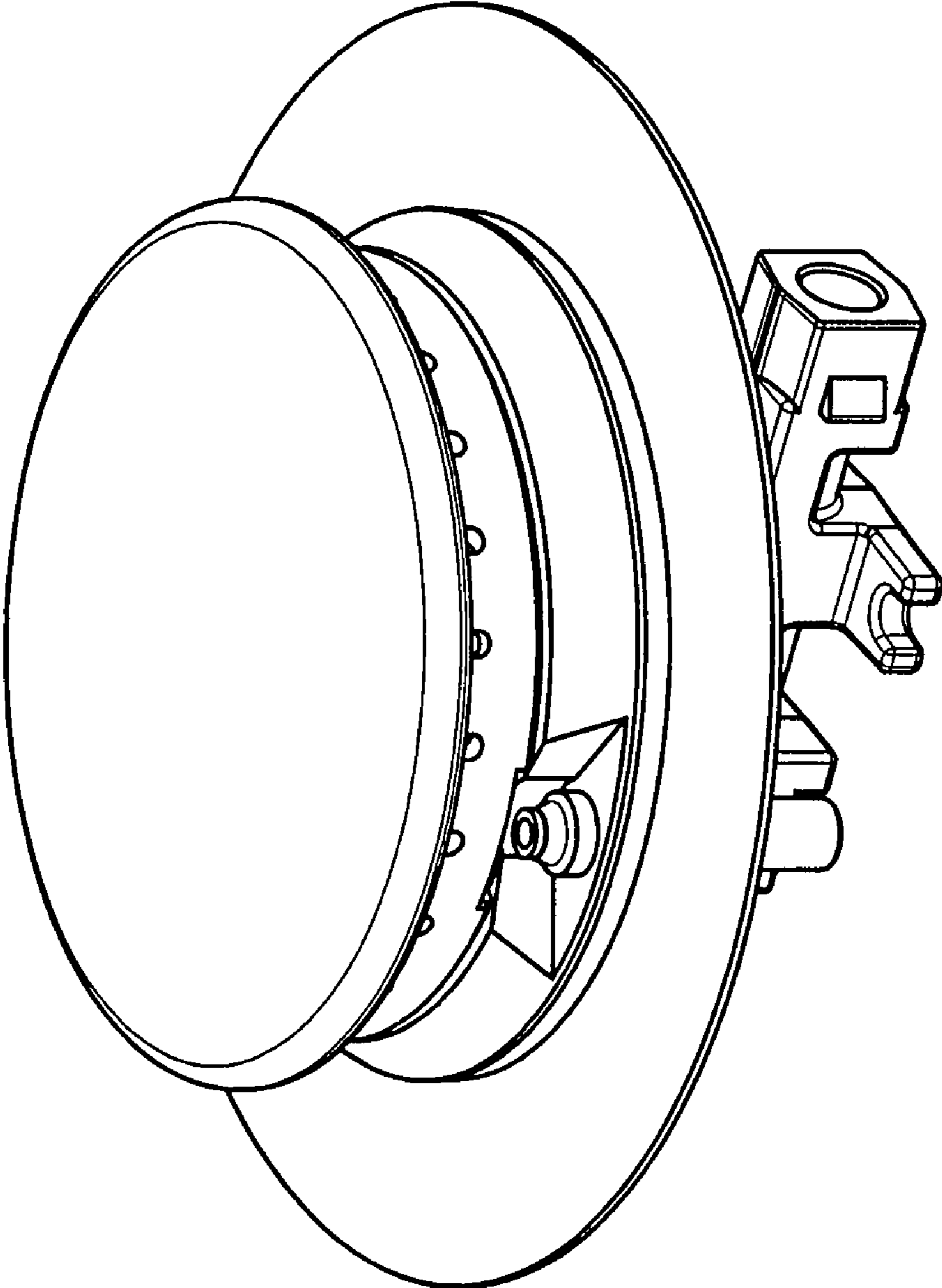


FIG. 5

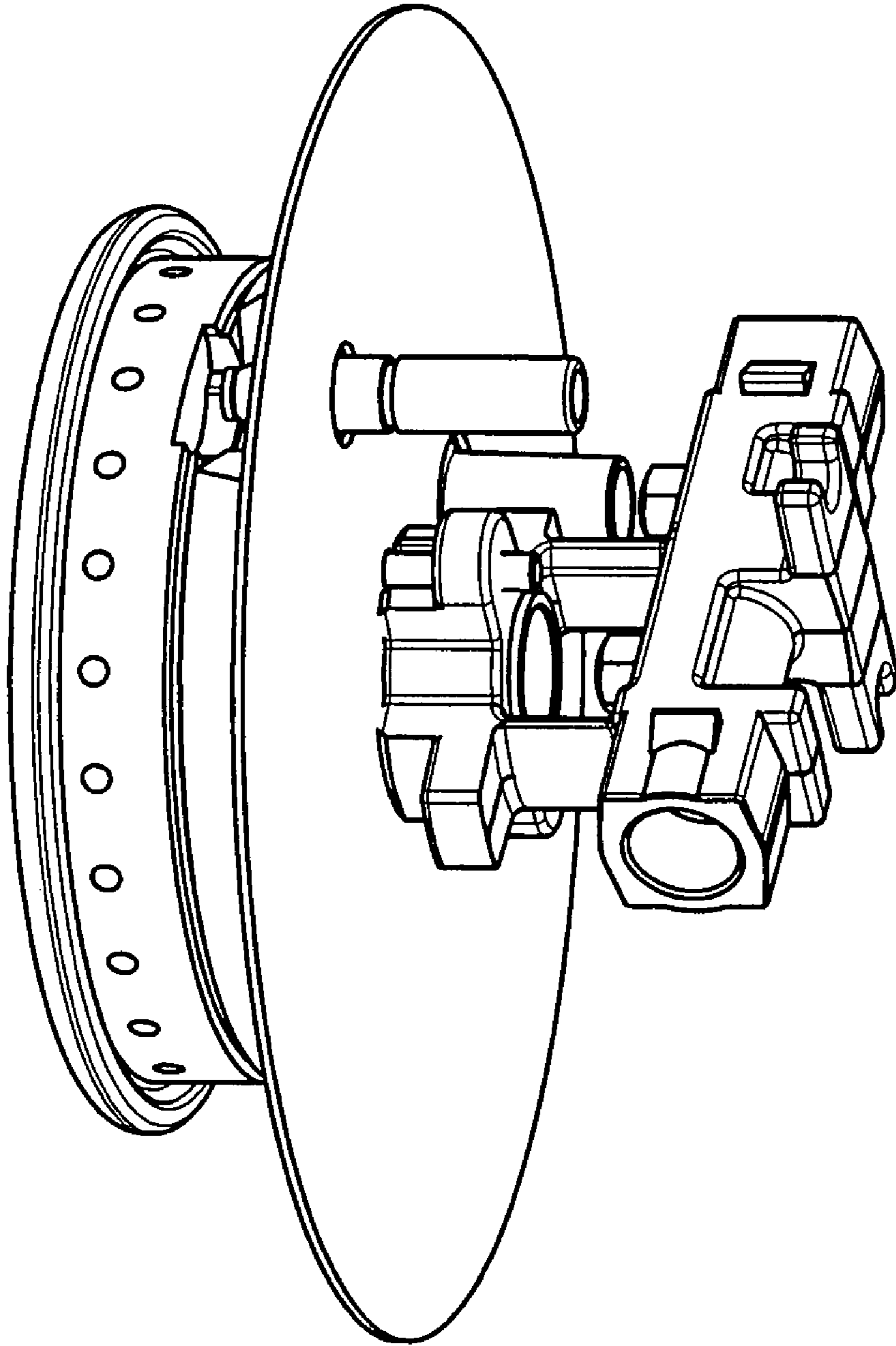


FIG.6

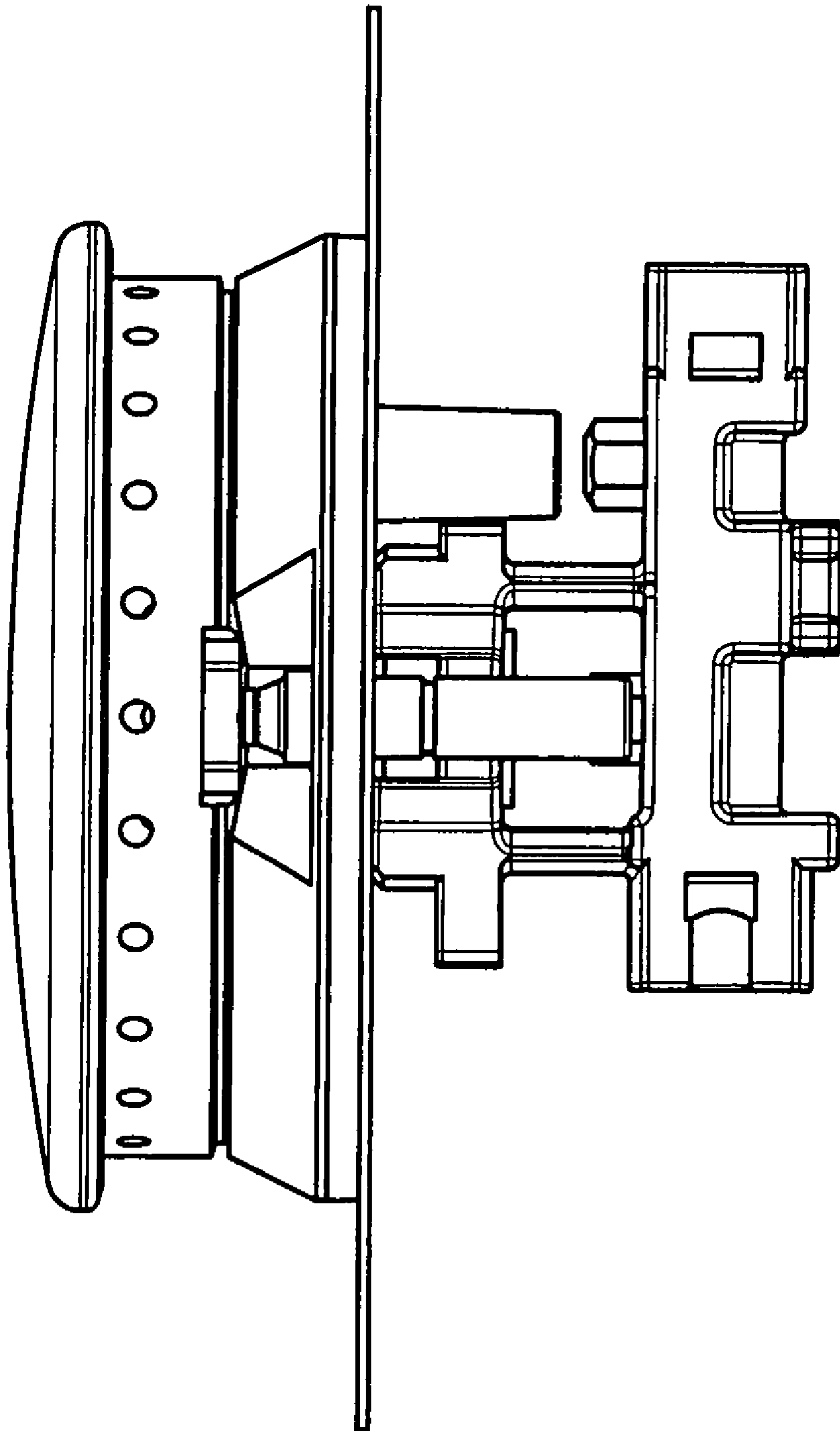


FIG. 7

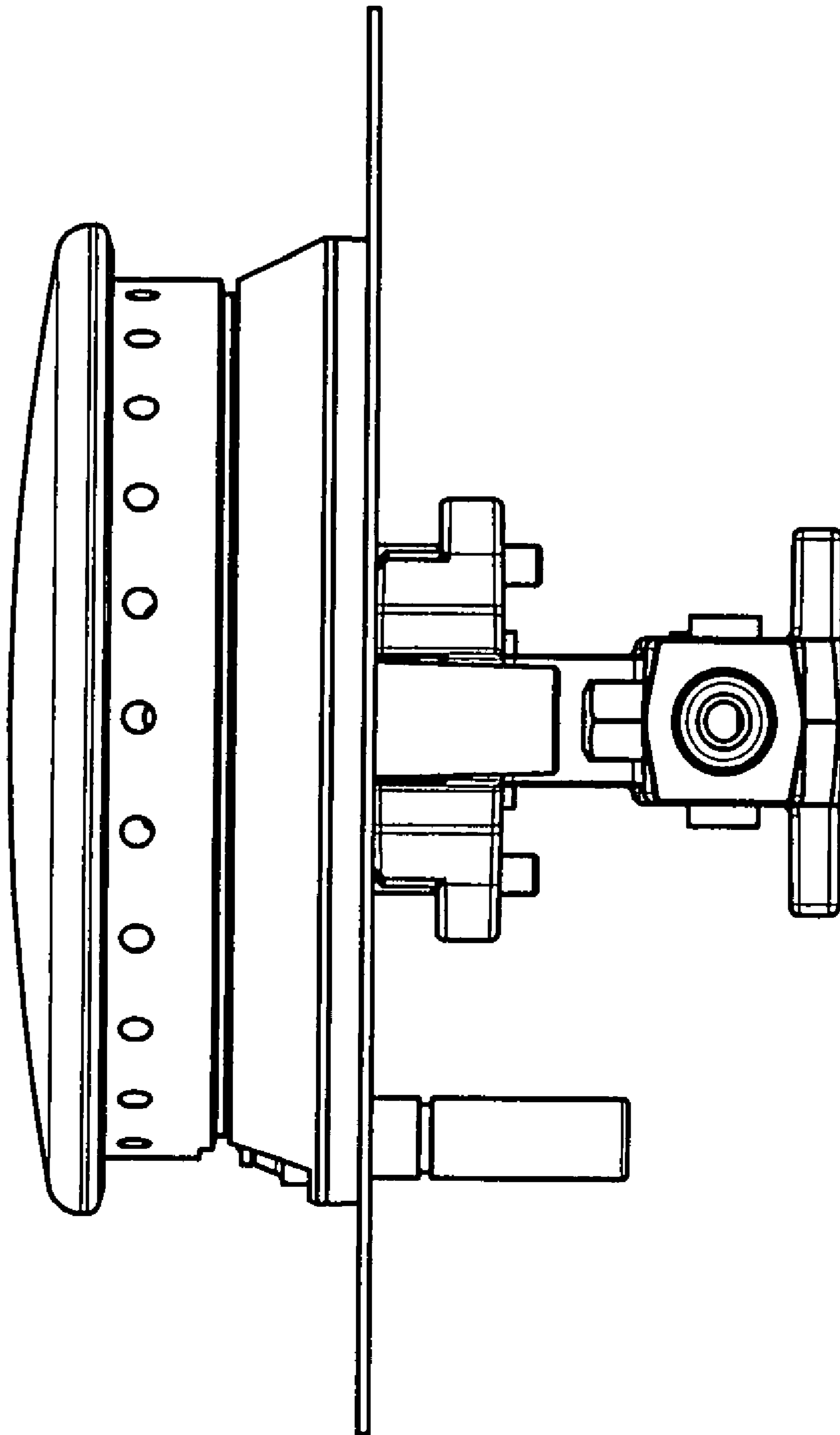


FIG. 8