

US00D564295S

(12) **United States Design Patent**
Hillmann et al.

(10) **Patent No.:** **US D564,295 S**
(45) **Date of Patent:** **** Mar. 18, 2008**

(54) **SHOWER-HEAD FOR COOKING APPLIANCE**

D430,644 S * 9/2000 Higgins D23/226

(75) Inventors: **Johannes Hillmann**, Neu-Ulm (DE);
Frank Förster, Oberkirch (DE)

(73) Assignee: **Eloma GmbH Innovative Koch- und Backtechnik**, Maisach (DE)

(**) Term: **14 Years**

(21) Appl. No.: **29/272,454**

(22) Filed: **Feb. 8, 2007**

(30) **Foreign Application Priority Data**

Aug. 8, 2006 (EM) 000572060

(51) **LOC (8) Cl.** **07-02**

(52) **U.S. Cl.** **D7/403**

(58) **Field of Classification Search** D7/213,
D7/403; D23/213, 223, 226, 499; 4/615;
137/119.04; 239/449, 525-527

See application file for complete search history.

(56) **References Cited**

U.S. PATENT DOCUMENTS

D187,904 S *	5/1960	Kellogg	D23/226
D202,757 S *	11/1965	Hitchcock	D23/226
D233,606 S *	11/1974	Rauch	D23/226
D242,352 S *	11/1976	Uyeda	D23/226
4,187,986 A *	2/1980	Petrovic	239/449
5,025,825 A *	6/1991	Gayton	137/119.04
D348,505 S *	7/1994	Bosio	D23/223
D385,949 S *	11/1997	Yang	D23/226
D390,915 S *	2/1998	Futo et al.	D23/226
D415,822 S *	10/1999	Ouyoung	D23/226

OTHER PUBLICATIONS

Unox catalog, "ChefLux," 12 pages. Date: Sep. 2004.
TCStar catalog, "AngeloPo," 8 pages. Date: Nov. 2005.
Lainox catalog, "The Mix," 24 pages. Date: Jan. 2006.
Unox catalog, "Fachhandelspreisliste 2006," 43 pages. Date: Jan. 1, 2006.
Rational catalog, "ClimaPlus Combi," 50 pages. Date: Undated.
Convotherm brochure, "Die Grill-Spieb-Version," 2 pages. Date: Undated.
Convotherm brochure, "Die Back-Version," 2 pages. Date: Undated.

* cited by examiner

Primary Examiner—Robert A. Delehanty

Assistant Examiner—Mark Cavanna

(74) *Attorney, Agent, or Firm*—Jansson Shupe & Munger Ltd.

(57) **CLAIM**

The ornamental design for a shower-head for cooking appliance, as shown and described.

DESCRIPTION

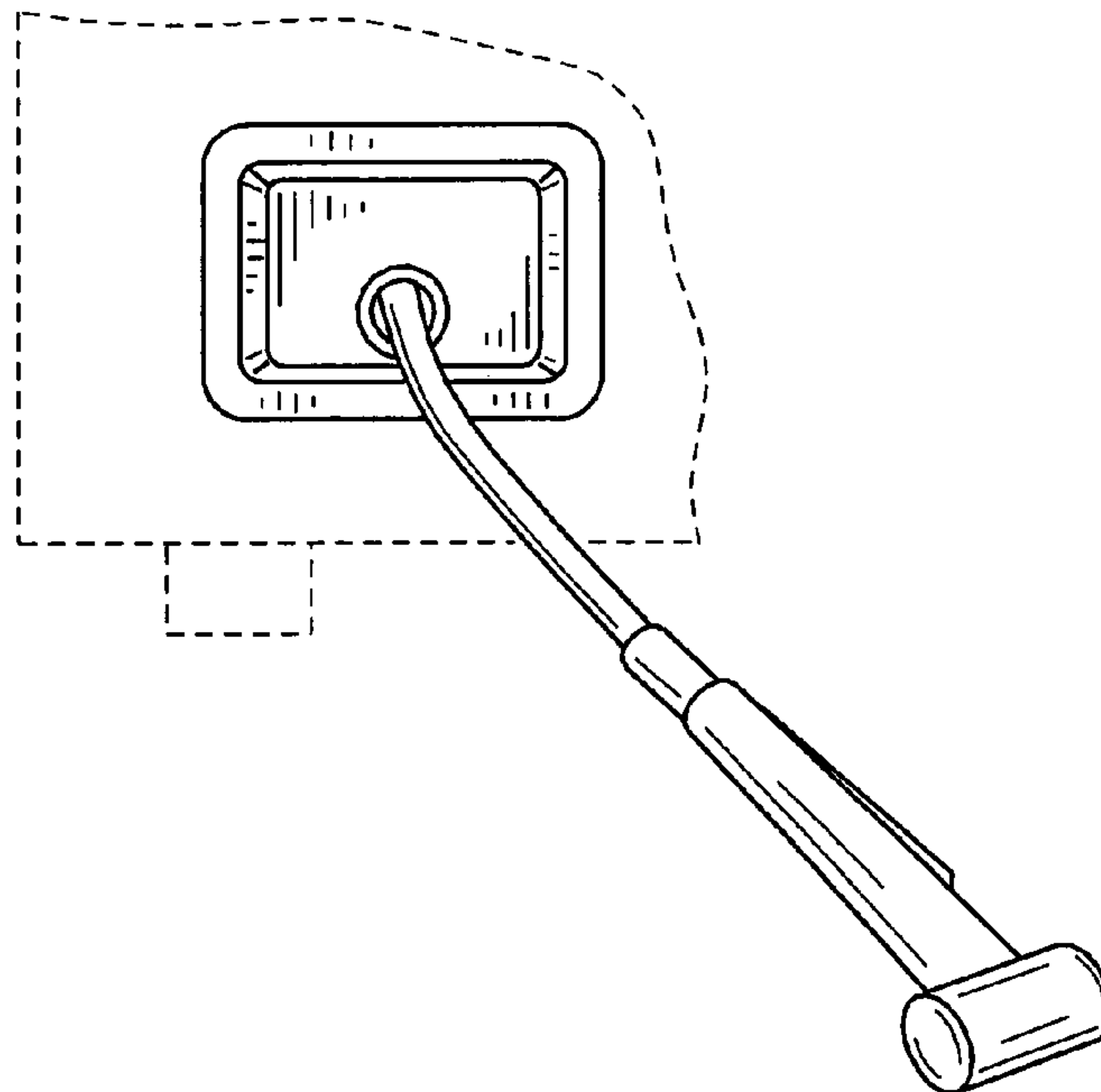
FIG. 1 is a perspective view of a shower-head for a cooking appliance in a non-use position; the cooking appliance is shown in phantom lines and forms no part of the claimed design.

FIG. 2 is a front elevation view of a shower-head of FIG. 1; and,

FIG. 3 is a perspective view showing the shower-head of FIG. 1 withdrawn from the cooking appliance.

The broken lines are provided for illustrative purposes only and form no part of the claimed design.

1 Claim, 1 Drawing Sheet



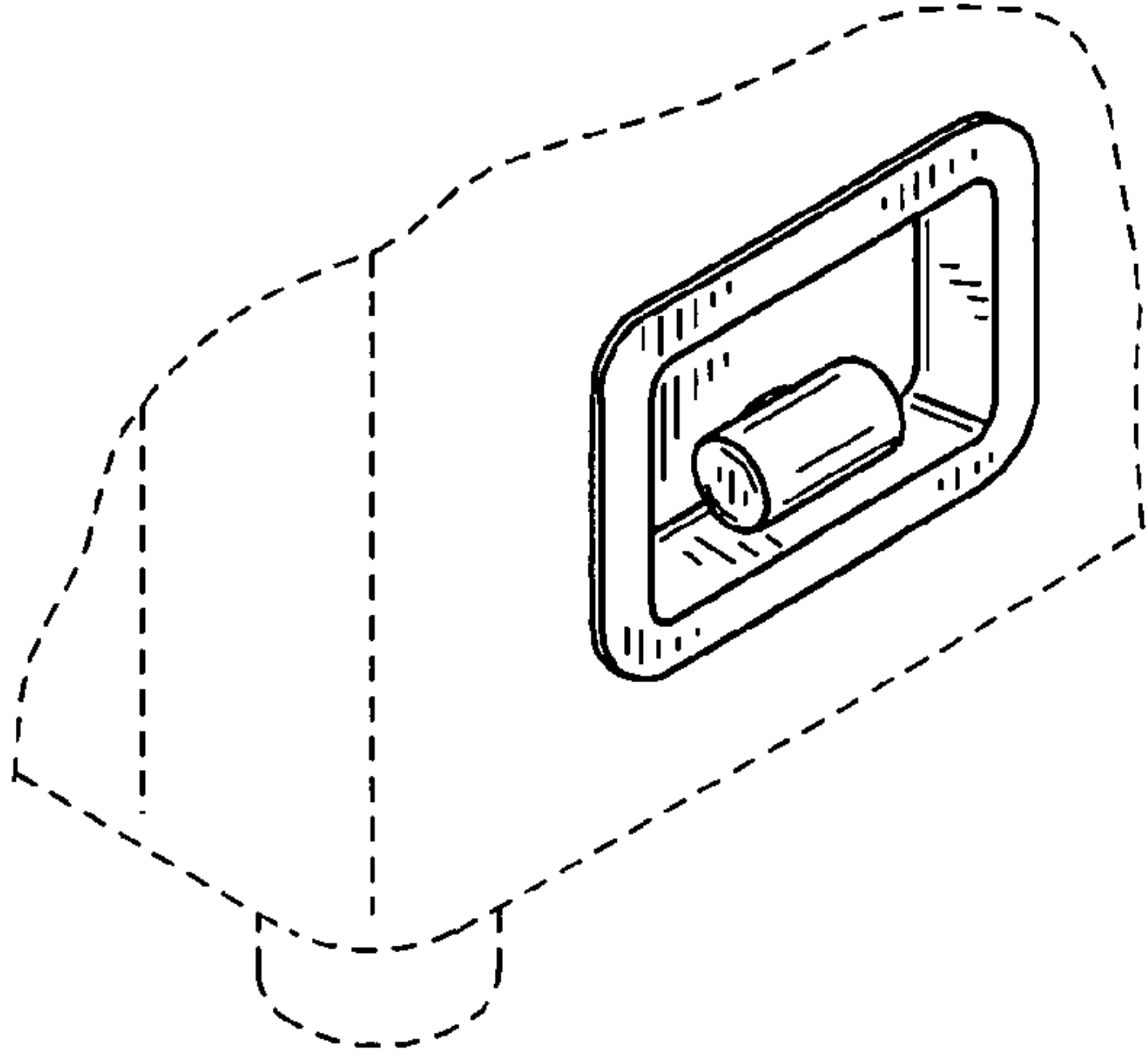


FIG. 1

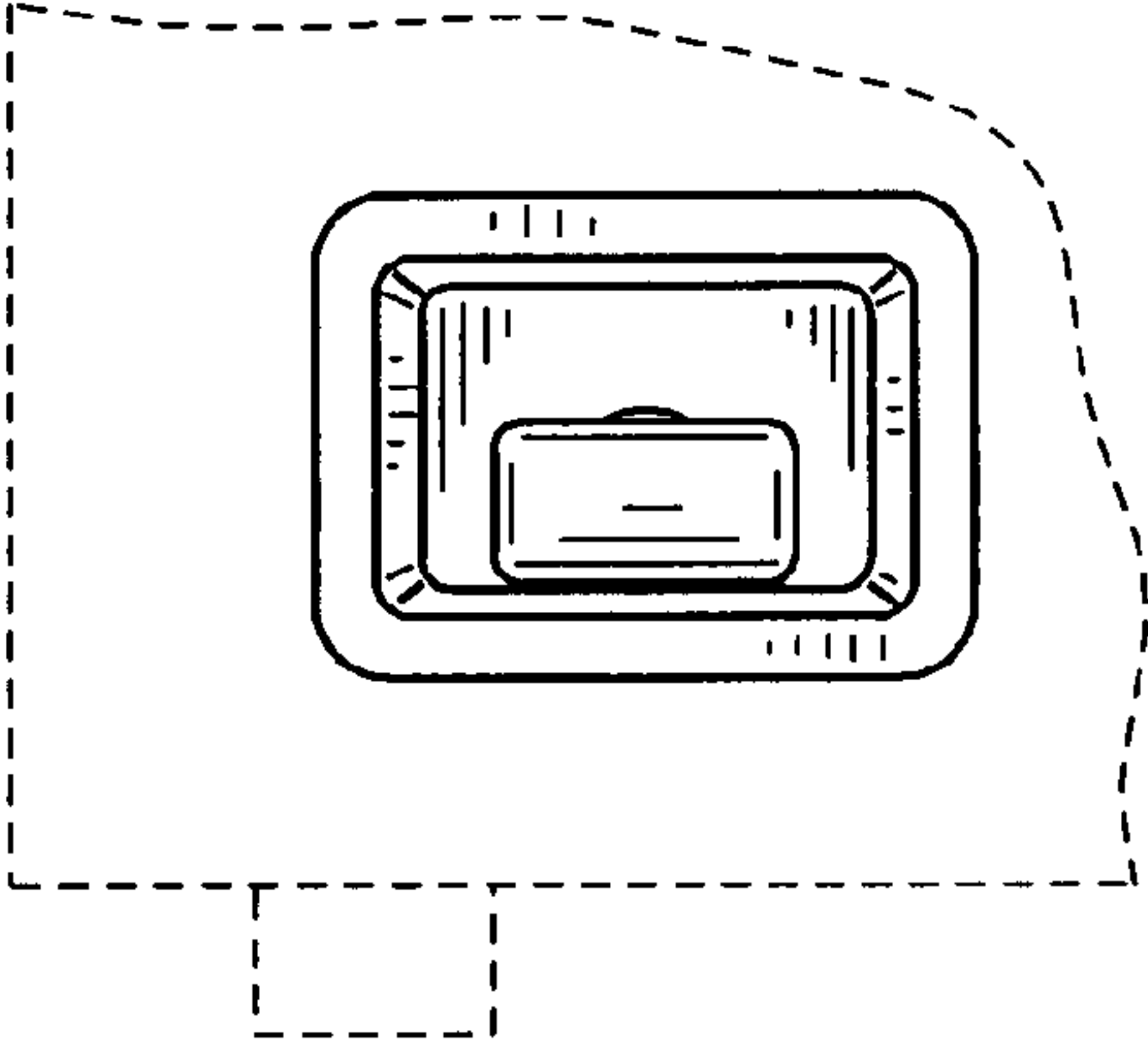


FIG. 2

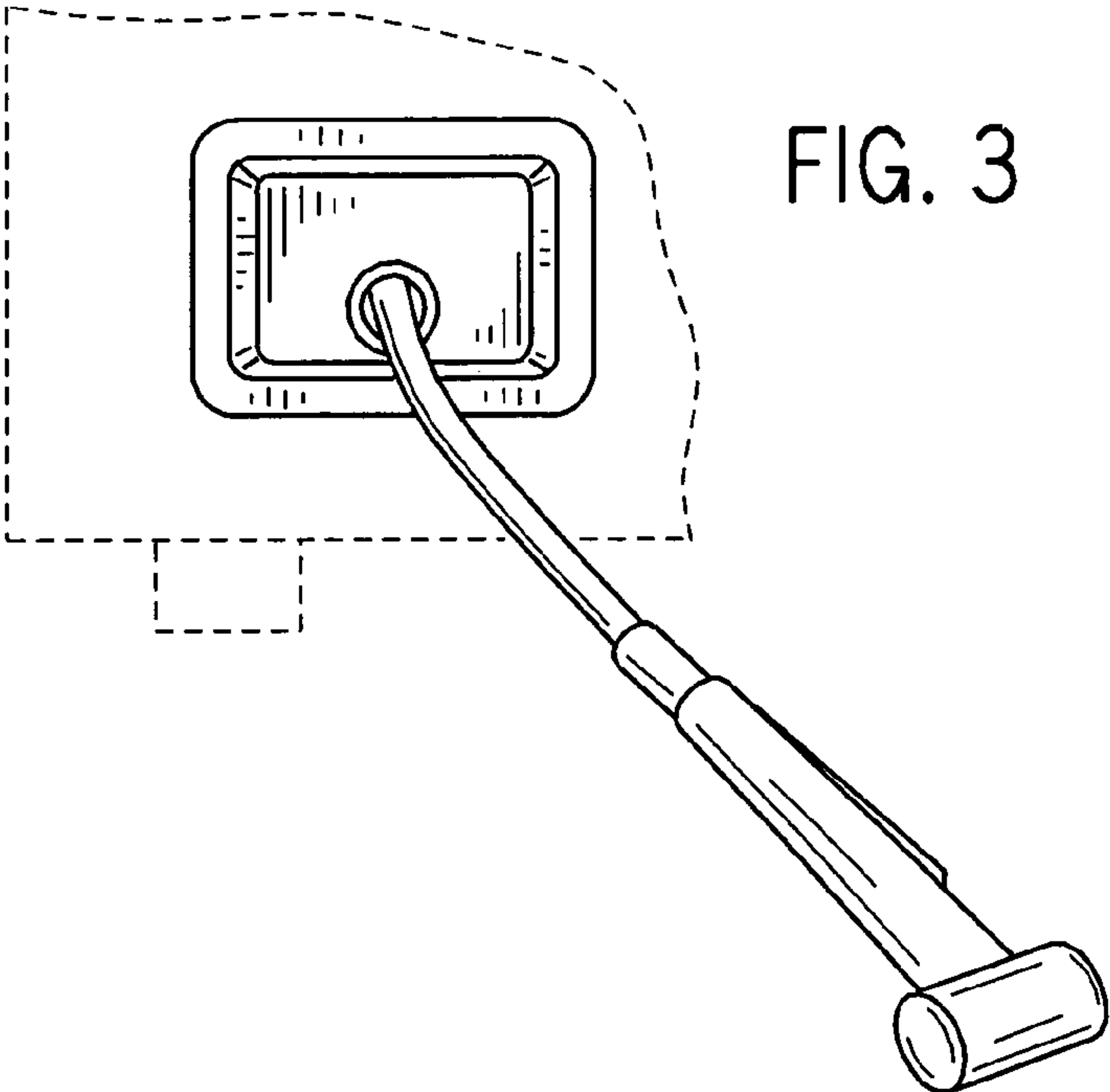


FIG. 3