

US00D564294S

(12) **United States Design Patent** (10) **Patent No.:** **US D564,294 S**  
**Wasserman et al.** (45) **Date of Patent:** **\*\* Mar. 18, 2008**

(54) **GRIP FOR PAN**

1,965,354 A 7/1934 Patock  
2,133,252 A 10/1938 Moore et al.

(75) Inventors: **David M. Wasserman**, Whitefish Bay, WI (US); **John A. Wojcik**, Sheboygan, WI (US); **Alan J. Schommer**, Fredonia, WI (US); **Mark V. LeGreve**, Two Rivers, WI (US); **Paul J. Mulhauser**, New York, NY (US); **Karl D. Kirk, III**, New York, NY (US)

(Continued)

**FOREIGN PATENT DOCUMENTS**

DE 597085 5/1934

(Continued)

**OTHER PUBLICATIONS**

All-Clad, Copper Core, 8" / 9" Skillet/Pan, believed to be publicly available before Mar. 25, 2005.

(Continued)

*Primary Examiner*—Caron D. Veynar  
*Assistant Examiner*—Ricky Pham  
(74) *Attorney, Agent, or Firm*—Foley & Lardner LLP

(73) Assignee: **The Vollrath Company, L.L.C.**, Sheboygan, WI (US)

(\*\*) Term: **14 Years**

(21) Appl. No.: **29/286,734**

(22) Filed: **May 17, 2007**

**Related U.S. Application Data**

(63) Continuation of application No. 29/254,029, filed on Feb. 16, 2006, now abandoned.

(51) **LOC (8) Cl.** ..... **07-02**

(52) **U.S. Cl.** ..... **D7/395**

(58) **Field of Classification Search** ..... D7/323, D7/354-361, 393-395, 401.2, 402; D4/129, D4/138; D8/22, 97, 107, 307; 16/110.1, 16/407, 430, 431, DIG. 18, DIG. 19; 99/324, 99/325, 339, 345, 425, 426, 445; 126/373, 126/390; 220/573.1-573.5, 752-756, 912  
See application file for complete search history.

(56) **References Cited**

**U.S. PATENT DOCUMENTS**

D21,614 S	6/1892	McLeod
1,282,552 A	10/1918	Duncan
1,482,305 A	1/1924	Hodgson
1,712,675 A	5/1929	Olsen
1,728,619 A	9/1929	Lambert
1,730,820 A	10/1929	Holden
1,837,109 A	12/1931	Burvenick

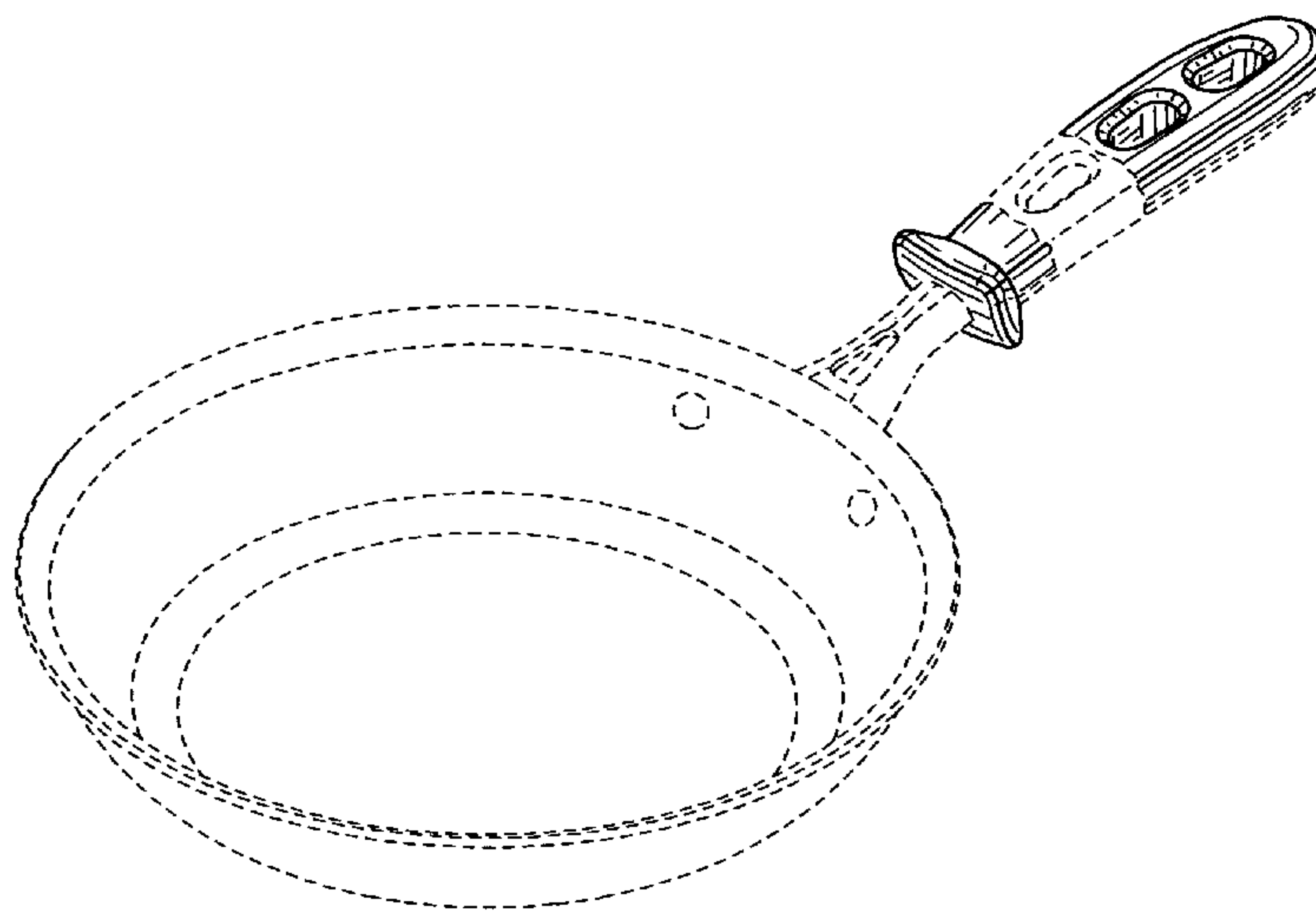
(57) **CLAIM**

We claim the ornamental design for a grip for a pan, as shown and described.

**DESCRIPTION**

FIG. 1 is a top perspective view of a grip for pan showing our new design;  
FIG. 2 is a top plan view thereof;  
FIG. 3 is a right-side elevational view thereof, the left-side elevational view being a mirror image of the right-side elevational view shown;  
FIG. 4 is a front elevational view thereof, shown with the pan portion removed for ease of illustration;  
FIG. 5 is a front elevational view thereof, shown with the pan portion for completeness of illustration;  
FIG. 6 is a rear elevational view thereof; and,  
FIG. 7 is a bottom plan view thereof.  
The broken lines in the drawings are for illustrative purposes only and form no part of the claimed design.

**1 Claim, 3 Drawing Sheets**



# US D564,294 S

Page 2

## U.S. PATENT DOCUMENTS

2,140,157 A 12/1938 Huffman  
2,144,474 A 1/1939 Woodman  
2,231,222 A 2/1941 Rosenheimer, Jr.  
2,246,393 A 6/1941 Sperry  
2,254,571 A 9/1941 Hailey  
D140,046 S \* 1/1945 Behl ..... D7/394  
2,511,786 A 6/1950 Patti  
2,520,808 A 8/1950 Miller  
2,965,405 A 12/1960 Herrick  
4,197,611 A 4/1980 Bell et al.  
D258,861 S 4/1981 Bratton et al.  
D266,895 S 11/1982 Hellinger et al.  
D266,896 S 11/1982 Hellinger et al.  
4,413,767 A 11/1983 Hellinger  
4,491,235 A 1/1985 Fournier et al.  
D283,188 S 4/1986 Pool  
4,768,427 A 9/1988 Cheng  
5,447,351 A 9/1995 Klunder  
D366,181 S \* 1/1996 Rossiaud ..... D7/361  
D377,438 S \* 1/1997 Brunianyn ..... D7/361  
D377,883 S \* 2/1997 Candianides ..... D7/361  
D392,151 S \* 3/1998 Munari ..... D7/395  
D393,776 S 4/1998 Kessler  
5,867,867 A 2/1999 Kessler  
D415,928 S \* 11/1999 Kaposi et al. .... D7/401.2  
D417,121 S \* 11/1999 Brunianyn ..... D7/395  
6,032,822 A \* 3/2000 Munari ..... 220/573.1  
D436,813 S \* 1/2001 Kobayashi et al. .... D8/22  
6,170,694 B1 1/2001 Munari  
D438,054 S \* 2/2001 Munari ..... D7/395  
D442,428 S \* 5/2001 Munari ..... D7/395  
D447,383 S \* 9/2001 Rae ..... D7/395  
D448,973 S \* 10/2001 Hay et al. .... D7/395  
D463,714 S \* 10/2002 Munari ..... D7/395  
D470,716 S \* 2/2003 Kloppsteck ..... D7/361  
D483,990 S \* 12/2003 Munari ..... D7/395  
D491,764 S \* 6/2004 Munari ..... D7/395  
D496,219 S \* 9/2004 Rae ..... D7/395  
D497,767 S \* 11/2004 Cacace ..... D7/361  
D512,266 S \* 12/2005 Munari ..... D7/395  
D518,331 S \* 4/2006 Rae ..... D7/395

D520,296 S \* 5/2006 Brownell ..... D7/395  
D523,690 S \* 6/2006 Giannone ..... D7/395  
D525,827 S \* 8/2006 Munari ..... D7/393  
D527,580 S \* 9/2006 Munari ..... D7/395  
D533,026 S \* 12/2006 Dotterman et al. .... D7/393  
2004/0060936 A1 4/2004 Logiudice

## FOREIGN PATENT DOCUMENTS

DE	295 11 144	9/1995
FR	607077	6/1926
GB	141155	4/1920
IT	246298	3/1928

## OTHER PUBLICATIONS

All-Clad, Masterchef II, 8"/9" Skillet/Pan, believed to be publicly available before Mar. 25, 2005.  
All-Clad, 8"/9" Skillet/Pan, believed to be publicly available before Mar. 25, 2005.  
Anolon Advanced, 8"/9" Skillet/Pan, believed to be publicly available before Mar. 25, 2005.  
Calphalon One, 8"/9" Skillet/Pan, believed to be publicly available before Mar. 25, 2005.  
Calphalon, 8"/9" Skillet/Pan, believed to be publicly available before Mar. 25, 2005.  
Calphalon, 8"/9" Skillet/Pan, believed to be publicly available before Mar. 25, 2005.  
Calphalon Simply 8"/9" Skillet/Pan, believed to be publicly available before Mar. 25, 2005.  
Calphalon Simply 8"/9" Skillet/Pan, believed to be publicly available before Mar. 25, 2005.  
Calphalon Contemporary 8"/9" Skillet/Pan, believed to be publicly available before Mar. 25, 2005.  
Circulon Premier, 8"/9" Skillet/Pan, believed to be publicly available before Mar. 25, 2005.  
Circulon, 8"/9" Skillet/Pan, believed to be publicly available before Mar. 25, 2005.  
Farberware Millennium Soft Touch, 8"/9" Skillet/Pan, believed to be publicly available before Mar. 25, 2005.  
European Search Report for EP 06 00 6087, date of mailing May 19, 2006, 3 pages.

\* cited by examiner

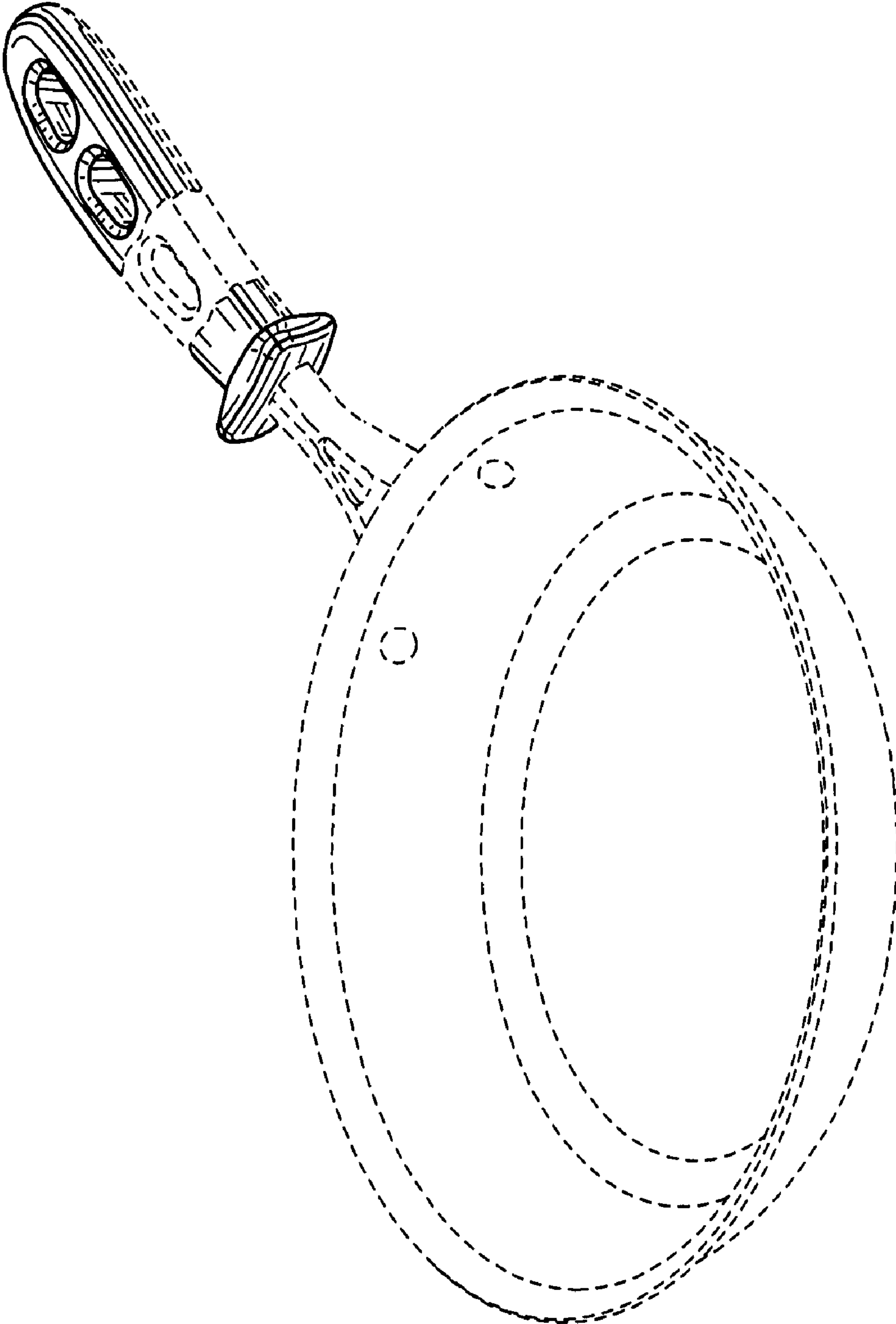


FIG. 1

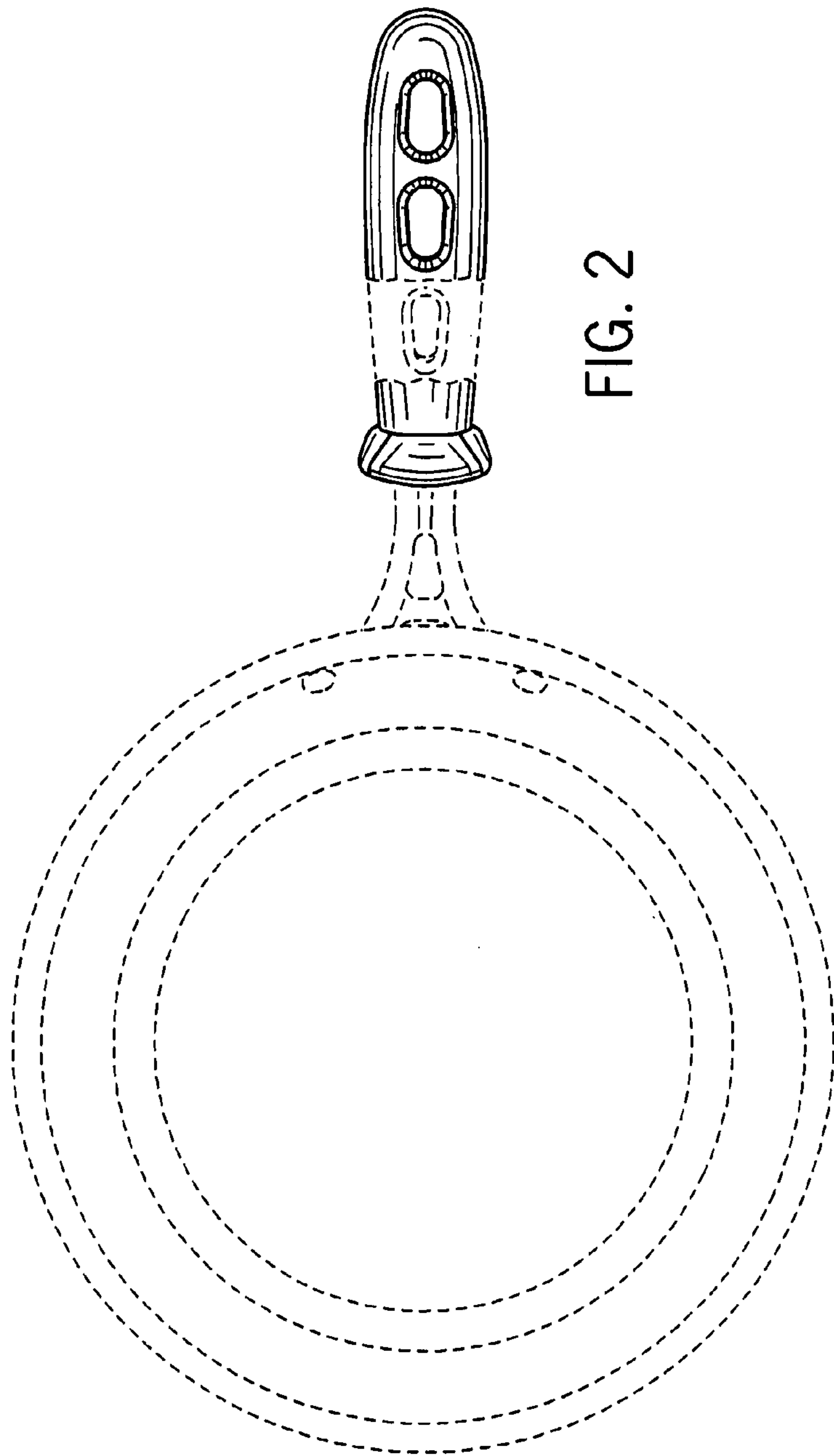


FIG. 2

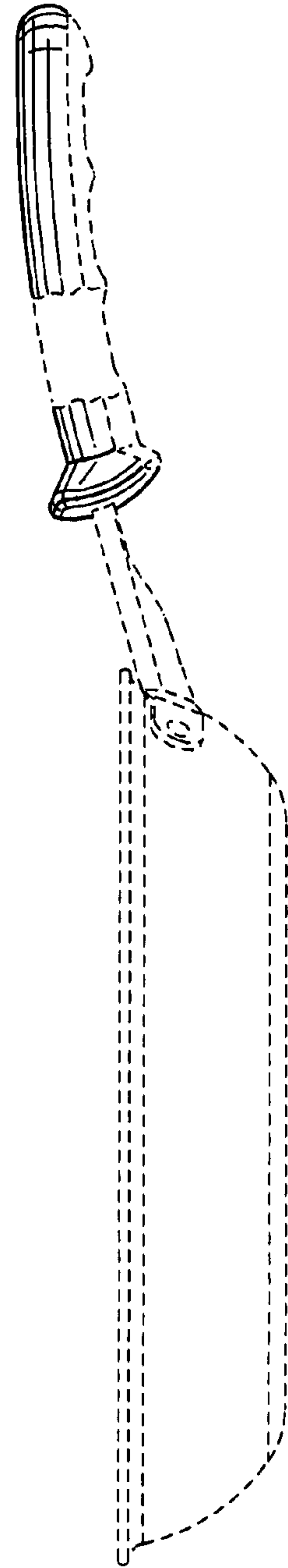


FIG. 3



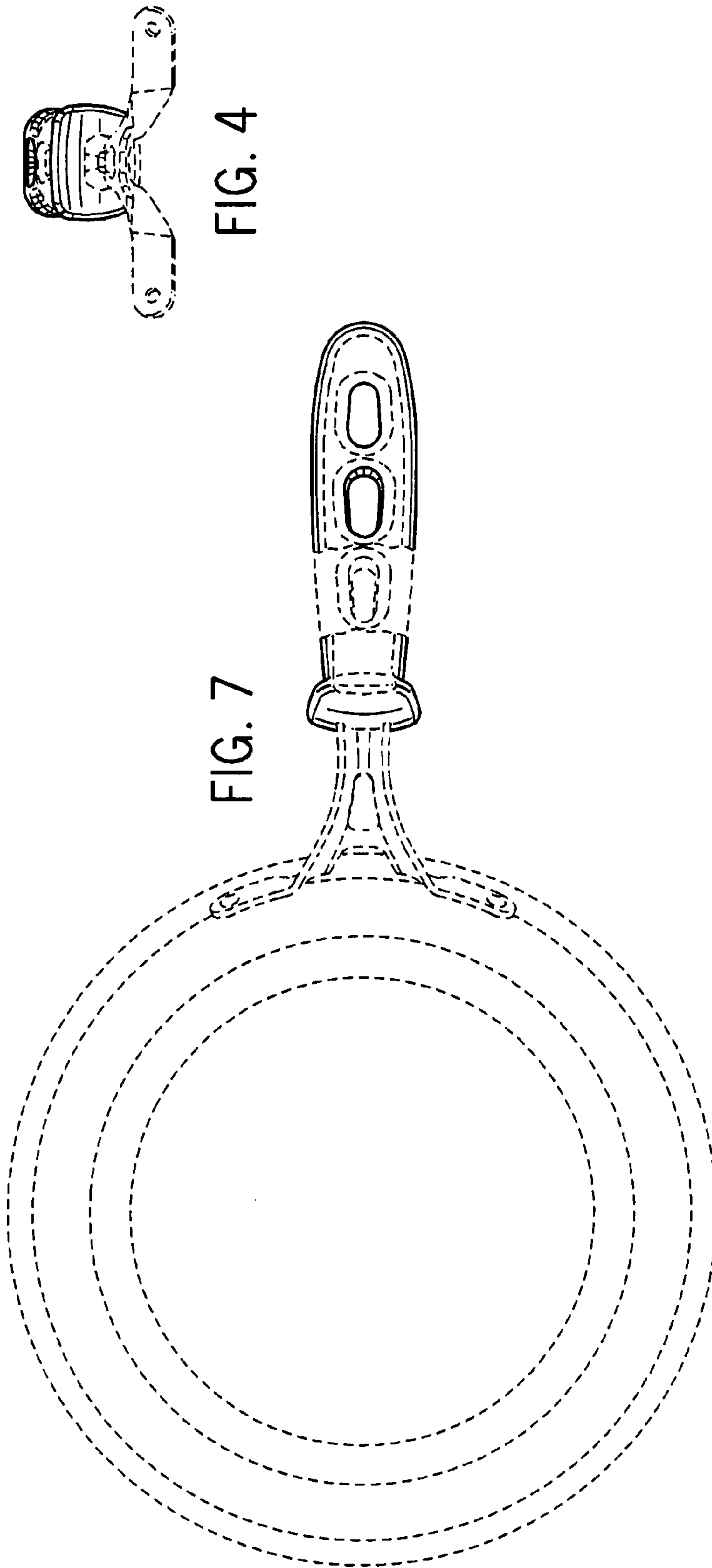


FIG. 4

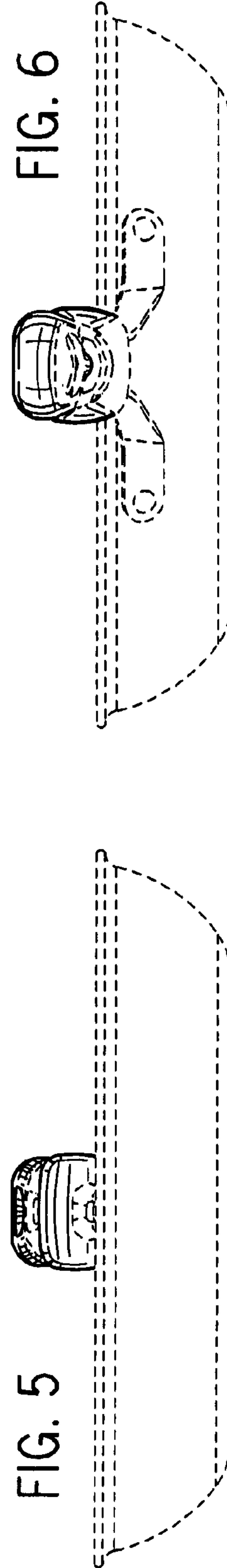
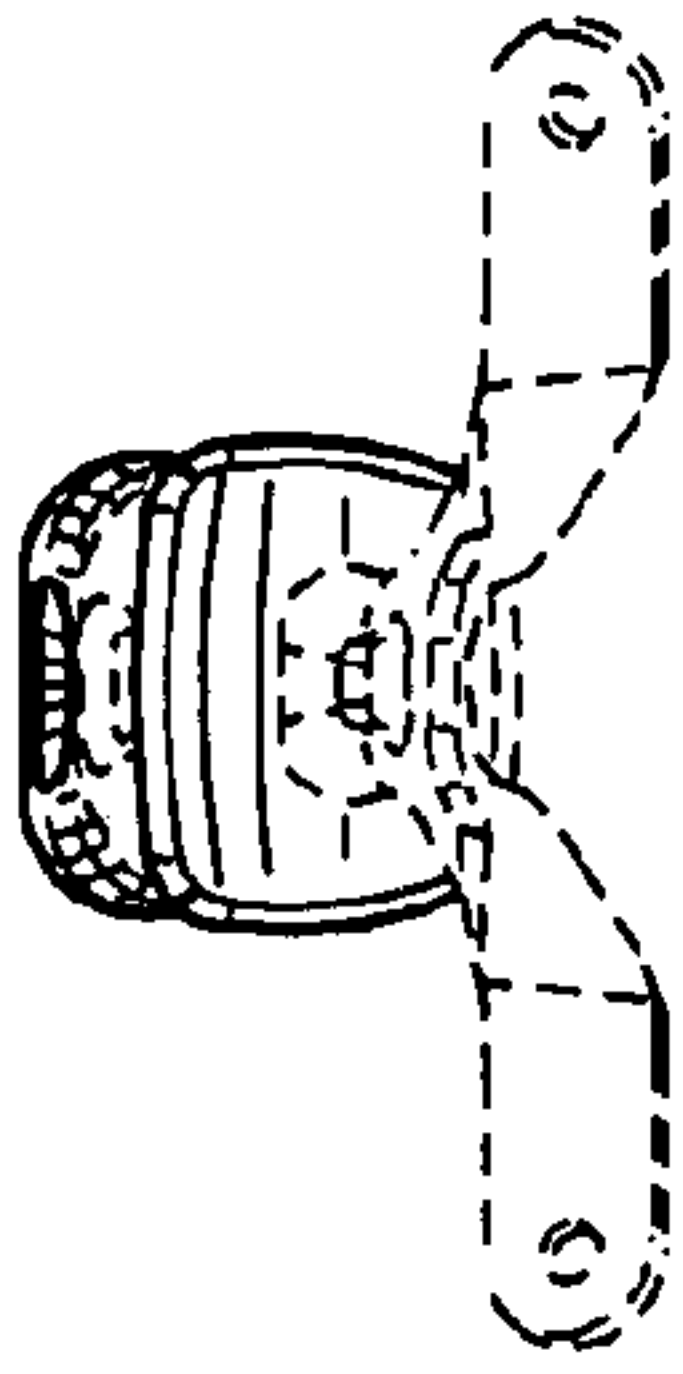


FIG. 6

FIG. 5