

US00D564293S

(12) **United States Design Patent**
Wasserman et al.

(10) **Patent No.:** **US D564,293 S**
(45) **Date of Patent:** **** Mar. 18, 2008**

(54) **PAN**
(75) Inventors: **David M. Wasserman**, Whitefish Bay, WI (US); **John A. Wojcik**, Sheboygan, WI (US); **Alan J. Schommer**, Fredonia, WI (US); **Mark V. LeGreve**, Two Rivers, WI (US); **Paul J. Mulhauser**, New York, NY (US); **Karl D. Kirk, III**, New York, NY (US)

1,730,820 A 10/1929 Holden
1,837,109 A 12/1931 Burvenick
1,965,354 A 7/1934 Patock
2,133,252 A 10/1938 Moore et al.

(Continued)

FOREIGN PATENT DOCUMENTS

DE 597085 5/1934

(Continued)

OTHER PUBLICATIONS

All-Clad, Cooper Core, 8"/9" Skillet/Pan, believed to be publicly available before Mar. 25, 2005.

(Continued)

Primary Examiner—Caron D. Veynar
Assistant Examiner—Ricky Pham
(74) *Attorney, Agent, or Firm*—Foley & Lardner LLP

(73) Assignee: **The Vollrath Company, L.L.C.**, Sheboygan, WI (US)

(**) Term: **14 Years**

(21) Appl. No.: **29/281,499**

(22) Filed: **Jun. 25, 2007**

Related U.S. Application Data

(63) Continuation of application No. 29/254,073, filed on Feb. 16, 2006, now Pat. No. Des. 545,116.

(51) **LOC (8) Cl.** **07-02**

(52) **U.S. Cl.** **D7/395**

(58) **Field of Classification Search** D7/323, D7/354-361, 393-395, 401.2, 402; D4/129, D4/138; D8/22, 97, 107, 307; 16/110.1, 16/407, 430, 431, DIG. 18, DIG. 19; 99/324, 99/325, 339, 345, 425, 426, 445; 126/373, 126/390; 220/573.1-573.5, 752-756, 912
See application file for complete search history.

(56) **References Cited**

U.S. PATENT DOCUMENTS

D21,614 S 6/1892 McLeod
1,282,552 A 10/1918 Duncan
1,482,305 A 1/1924 Hodgson
1,712,675 A 5/1929 Olsen
1,728,619 A 9/1929 Lambert

(57) **CLAIM**

We claim the ornamental design for a pan, as shown and described.

DESCRIPTION

FIG. 1 is a top perspective view of a pan showing our new design;

FIG. 2 is a top plan view thereof;

FIG. 3 is a right-side elevational view thereof, the left-side elevational view being a mirror image of the right-side elevational view shown;

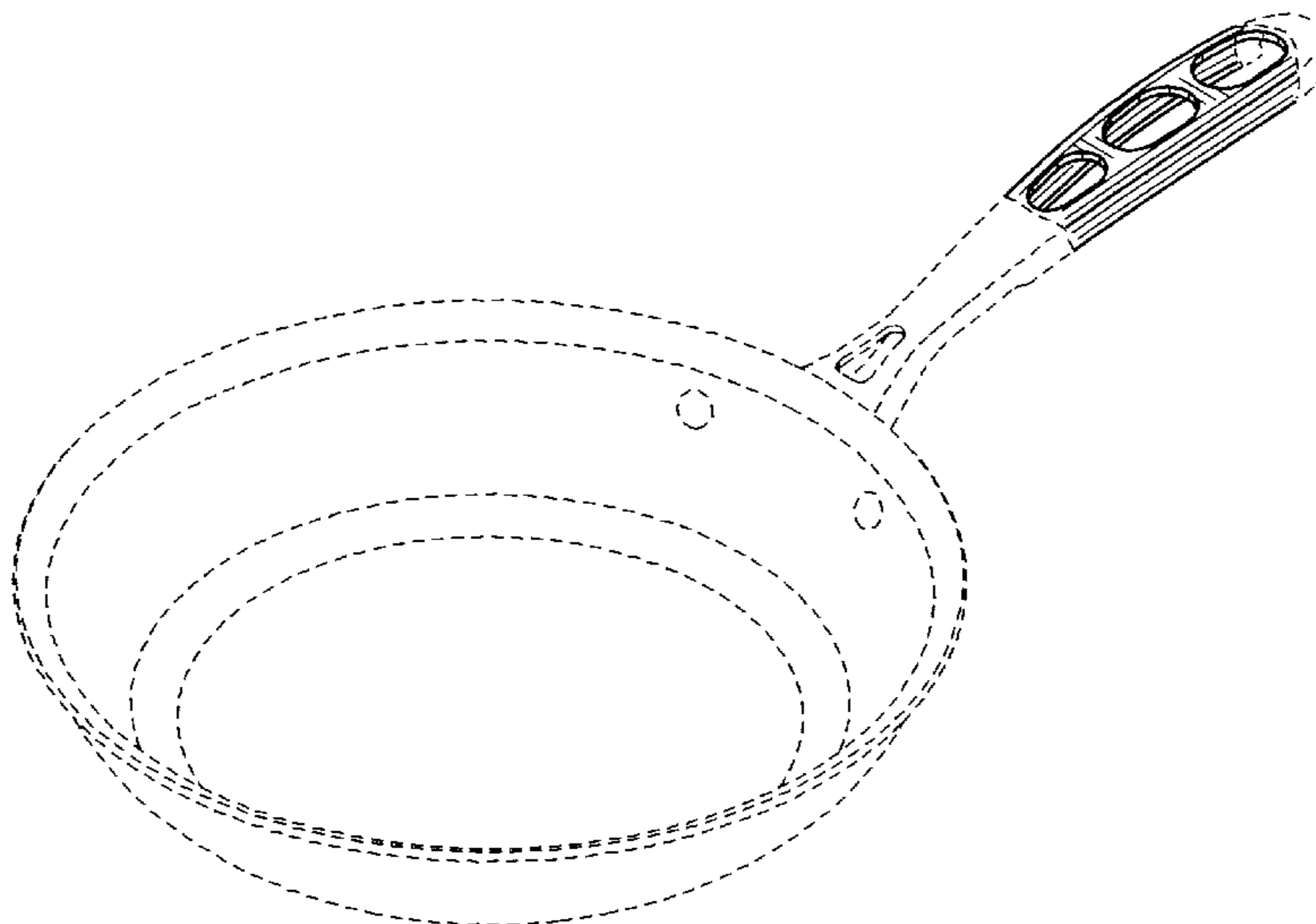
FIG. 4 is a front elevational view thereof;

FIG. 5 is a rear elevational view thereof; and,

FIG. 6 is a bottom plan view thereof.

The broken lines in the drawings are for illustrative purposes only and form no part of the claimed design.

1 Claim, 3 Drawing Sheets



US D564,293 S

Page 2

U.S. PATENT DOCUMENTS

2,140,157 A 12/1938 Huffman
 2,144,474 A 1/1939 Woodman
 2,231,222 A 2/1941 Rosenheimer, Jr.
 2,246,393 A 6/1941 Sperry
 2,254,571 A 9/1941 Hailey
 D140,046 S * 1/1945 Behl D7/394
 2,511,786 A 6/1950 Patti
 2,520,808 A 8/1950 Miller
 2,965,404 A 12/1960 Herrick
 4,197,611 A 4/1980 Bell et al.
 D258,861 S 4/1981 Bratton et al.
 D266,895 S 11/1982 Hellinger et al.
 D266,896 S 11/1982 Hellinger et al.
 4,413,767 A 11/1983 Hellinger
 4,491,235 A 1/1985 Fournier et al.
 D283,188 S 4/1986 Pool
 4,768,427 A 9/1988 Cheng
 5,447,351 A 9/1995 Klunder
 D366,181 S * 1/1996 Rossiaud D7/361
 D377,438 S * 1/1997 Brunianyn D7/361
 D377,883 S * 2/1997 Candianides D7/361
 D392,151 S * 3/1998 Munari D7/395
 D393,776 S 4/1998 Kessler
 5,867,867 A 2/1999 Kessler
 D415,928 S * 11/1999 Kaposi et al. D7/401.2
 D417,121 S * 11/1999 Brunianyn D7/395
 6,032,822 A * 3/2000 Munari 220/573.1
 D436,813 S * 1/2001 Kobayashi et al. D8/22
 6,170,694 B1 1/2001 Munari
 D438,054 S * 2/2001 Munari D7/395
 D442,428 S * 5/2001 Munari D7/395
 D447,383 S * 9/2001 Rae D7/395
 D448,973 S * 10/2001 Hay et al. D7/395
 D463,714 S * 10/2002 Munari D7/395
 D470,716 S * 2/2003 Kloppsteck D7/361
 D483,990 S * 12/2003 Munari D7/395
 D491,764 S * 6/2004 Munari D7/395
 D496,219 S * 9/2004 Rae D7/395
 D497,767 S * 11/2004 Cacace D7/361

D512,266 S * 12/2005 Munari D7/395
 D518,331 S * 4/2006 Rae D7/395
 D520,296 S * 5/2006 Brownell D7/395
 D523,690 S * 6/2006 Giannone D7/395
 D525,827 S * 8/2006 Munari D7/393
 D527,580 S * 9/2006 Munari D7/395
 D533,026 S * 12/2006 Dotterman et al. D7/393
 2004/0060936 A1 4/2004 Logiudice

FOREIGN PATENT DOCUMENTS

DE	295 11 144	9/1995
FR	607077	6/1926
GB	141155	4/1920
IT	246298	3/1928

OTHER PUBLICATIONS

All-Clad, Masterchef II, 8"/9" Skillet/Pan, believed to be publicly available before Mar. 25, 2005.
 All-Clad, 8"/9" Skillet/Pan, belived to be publicly available before Mar. 25, 2005.
 Anolon Advanced, 8"/9" Skillet/Pan, believed to be publicly available before Mar. 25, 2005.
 Calphalon One, 8"/9" Skillet/Pan, believed to be publicly available before Mar. 25, 2005.
 Calphalon, 8"/9" Skillet/Pan, believed to be publicly available before Mar. 25, 2005.
 Calphalon Simply 8"/9" Skillet/Pan, believed to be publicly available before Mar. 25, 2005.
 Calphalon Contemporary 8"/9" Skillet/Pan, believed to be publicly available before Mar. 25, 2005.
 Circulon Premier, 8"/9" Skillet/Pan, believed to be publicly available before Mar. 25, 2005.
 Circulon, 8"/9" Skillet/Pan, believed to be publicly available before Mar. 25, 2005.
 Farberware Millennium Soft Touch, 8"/9" Skillet/Pan, believed to be publicly available before Mar. 25, 2005.
 European Search Report for EP 06 00 6087, date of mailing May 19, 2006, 3 pages.

* cited by examiner

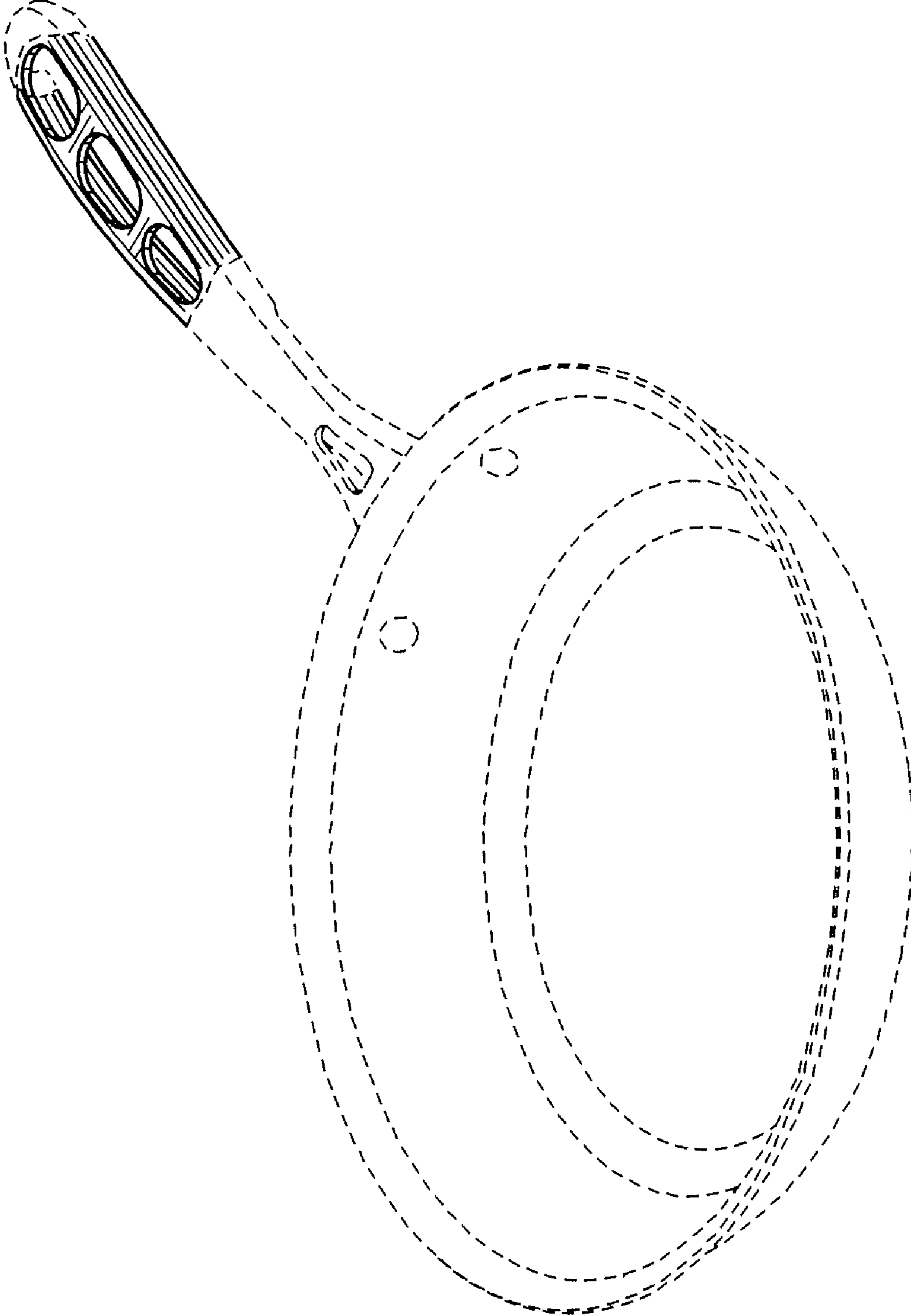


FIG. 1

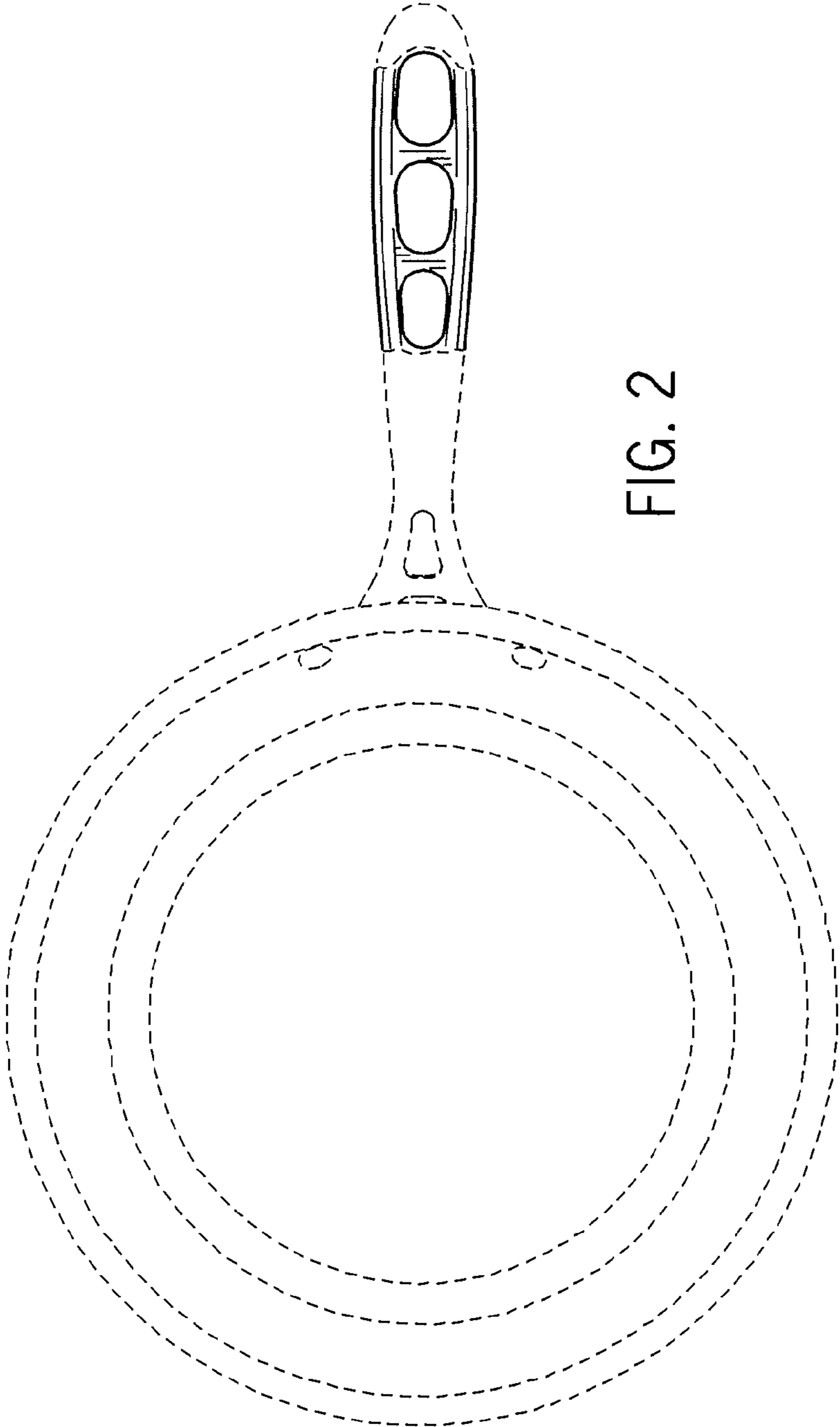


FIG. 2

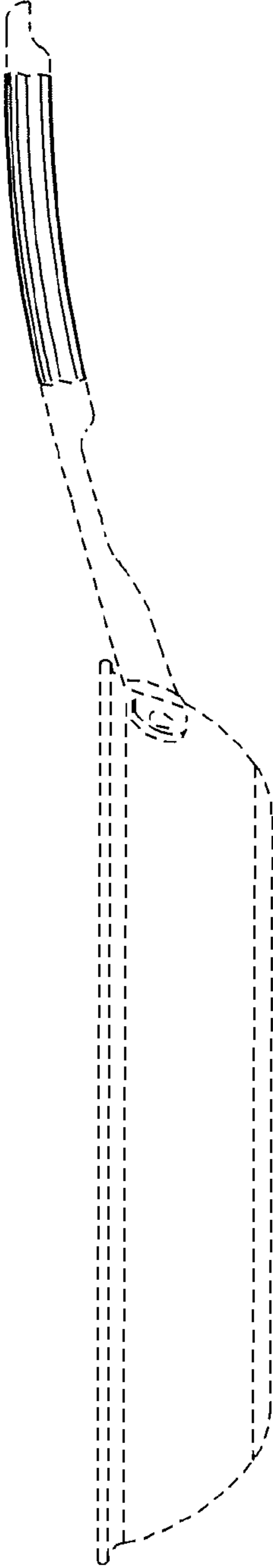


FIG. 3

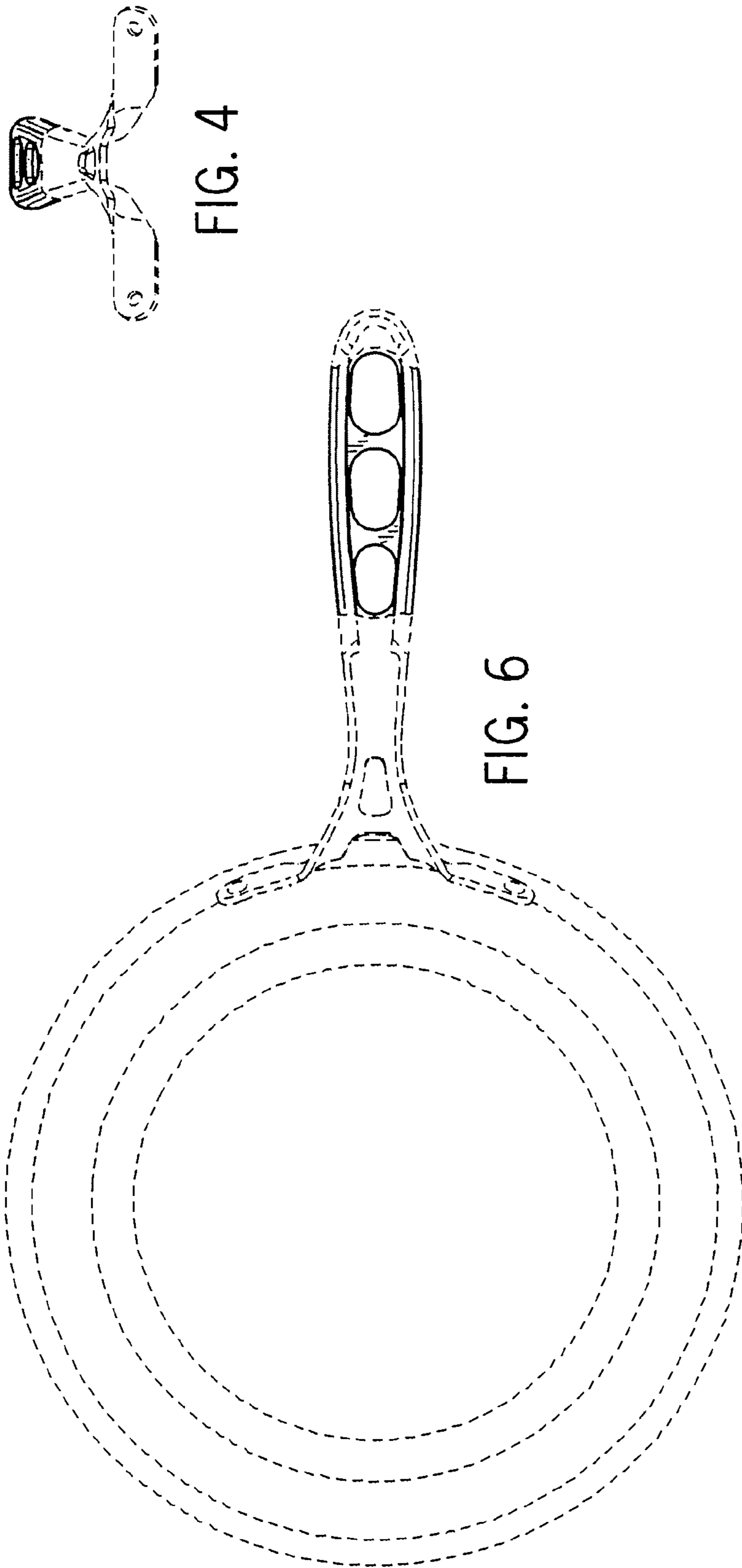


FIG. 4

FIG. 6

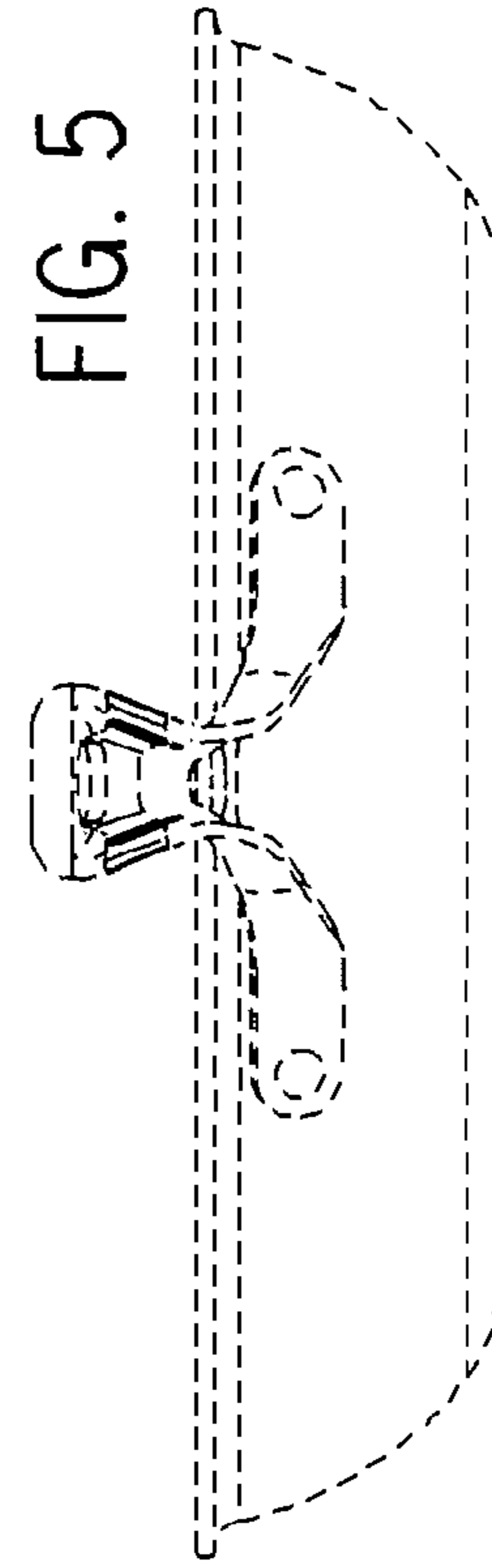


FIG. 5