



US00D564290S

(12) **United States Design Patent**  
**Zemel**

(10) **Patent No.:** **US D564,290 S**  
(45) **Date of Patent:** **\*\* Mar. 18, 2008**

(54) **BARBECUE TOOL**

D519,332 S \* 4/2006 Sanchez ..... D7/686  
D529,333 S 10/2006 Zemel  
D535,853 S \* 1/2007 Zemel ..... D7/393

(75) Inventor: **Marc Zemel**, Melville, NY (US)

(73) Assignee: **Mr. Bar-B-Q-, Inc.**, Old Bethpage, NY (US)

\* cited by examiner

(\*\*) Term: **14 Years**

*Primary Examiner*—Holly H. Baynham

*Assistant Examiner*—Cynthia M. Chin

(74) *Attorney, Agent, or Firm*—Seth Natter; Natter & Natter

(21) Appl. No.: **29/279,627**

(57) **CLAIM**

(22) Filed: **May 4, 2007**

The ornamental design for a barbecue tool, as shown and described.

(51) **LOC (8) Cl.** ..... **07-02**

(52) **U.S. Cl.** ..... **D7/393**

(58) **Field of Classification Search** ..... D7/393–395,  
D7/683–687, 688; D8/4, 39, 52, 107, 300;  
294/3, 8.5, 11, 16, 99.1–99.2, 119  
See application file for complete search history.

**DESCRIPTION**

(56) **References Cited**

**U.S. PATENT DOCUMENTS**

D149,464 S	5/1948	Adler	
3,270,368 A	9/1966	Cook	
D253,511 S	11/1979	Bogosian	
D254,767 S *	4/1980	Christen, Jr.	..... D7/686
5,206,998 A	5/1993	Oriente	
D351,329 S	10/1994	Harris	
D362,588 S	9/1995	Cohen	
D362,589 S	9/1995	Cohen	
D381,556 S	7/1997	Cohen	
D384,279 S	9/1997	Hepworth	
D419,825 S	2/2000	Derington	
D426,136 S	6/2000	Yu	
D450,532 S	11/2001	Shen	
D463,952 S	10/2002	Zemel	
D476,535 S	7/2003	Garon	
D481,587 S	11/2003	Harris	
D481,915 S *	11/2003	Mezger-Boehringer	..... D7/686

FIG. 1 is a perspective view of a barbecue tool showing my new design;

FIG. 2 is a left side elevational view thereof;

FIG. 3 is a right side elevational view thereof;

FIG. 4 is a front elevational view thereof;

FIG. 5 is the opposite side view of the handle on the left side of FIG. 4 shown separately for the clarity of illustration, the opposite side of the handle on the right side of FIG. 4 being a mirror image thereof;

FIG. 6 is a top plan view thereof;

FIG. 7 is a bottom view thereof; and,

FIG. 8 is the top view of the handle on the left side of FIG. 4 shown separately for the clarity of illustration, the top view of the handle on the right side of FIG. 4 being a mirror image thereof.

The broken lines are for illustrative purposes only and form no part of the claimed design.

**1 Claim, 2 Drawing Sheets**

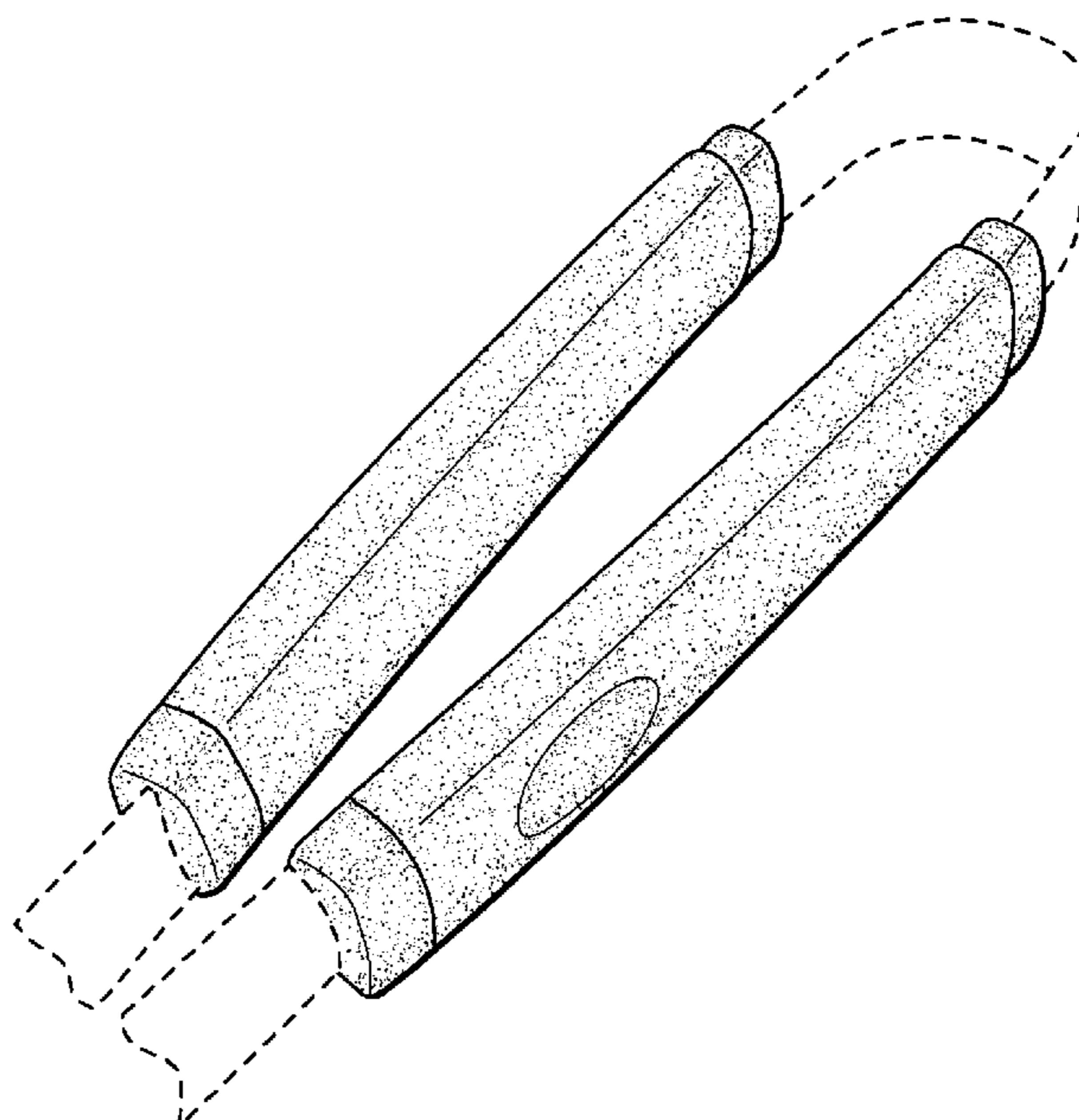


Fig. 1

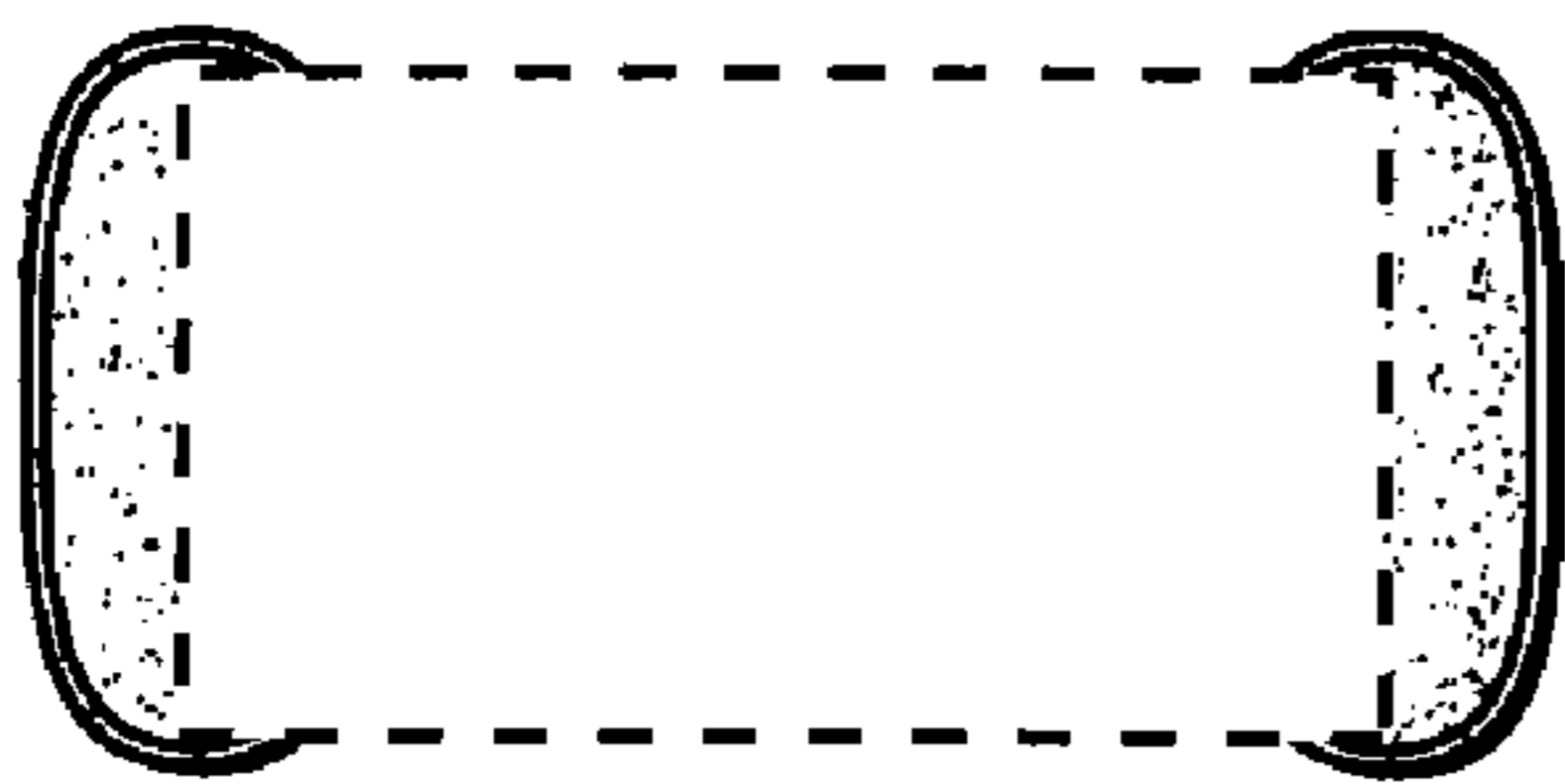
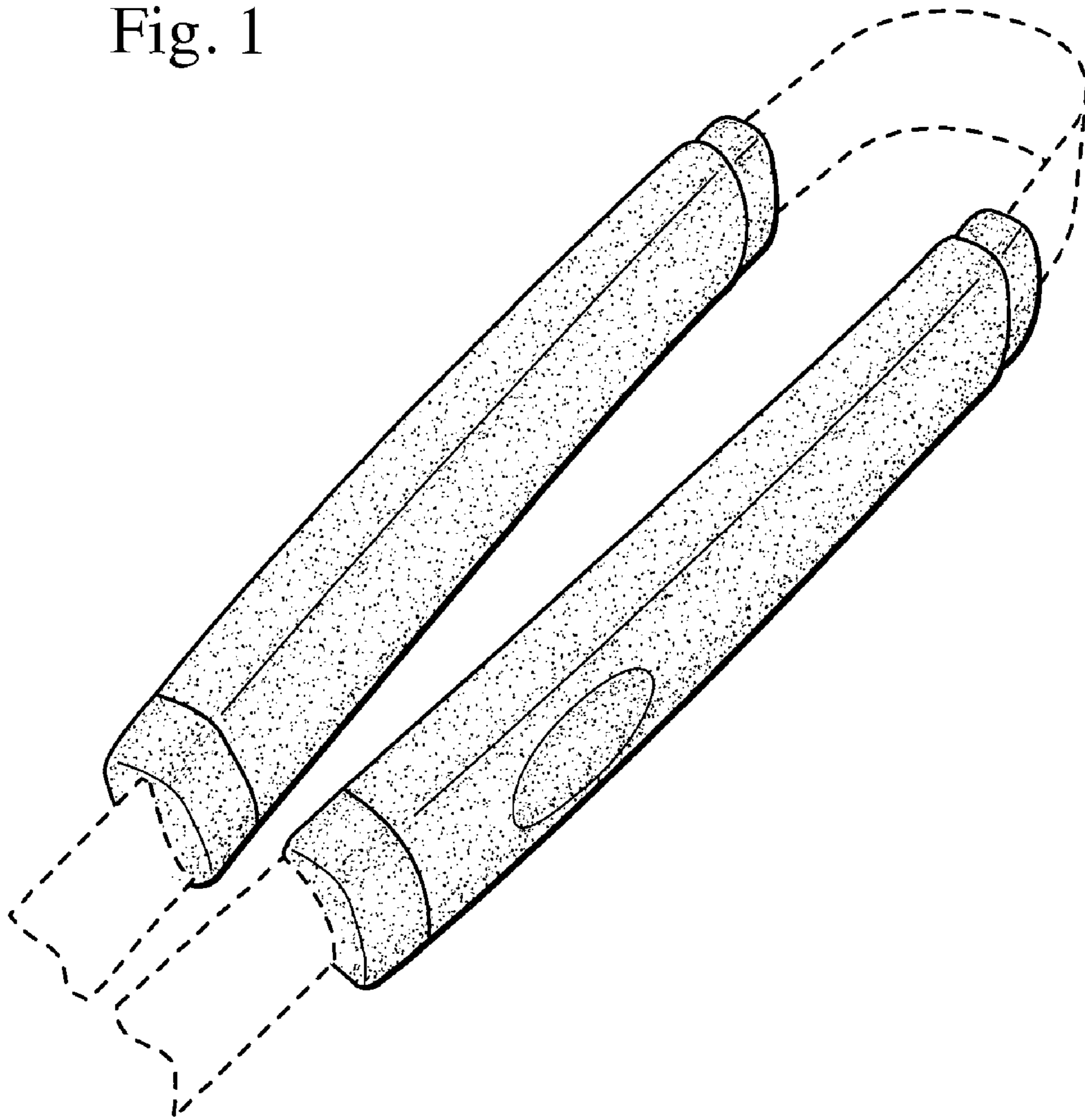


Fig. 6

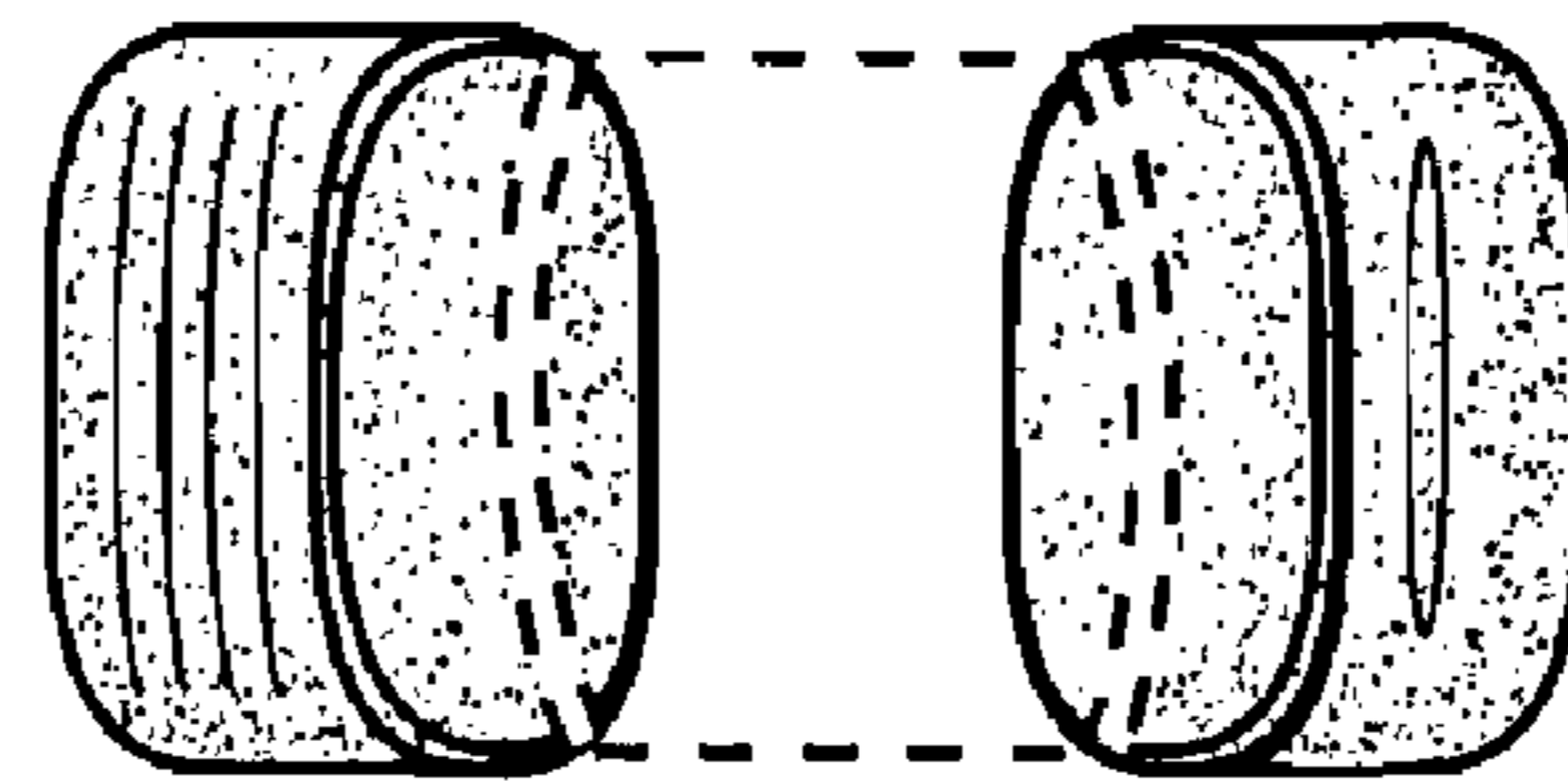


Fig. 7

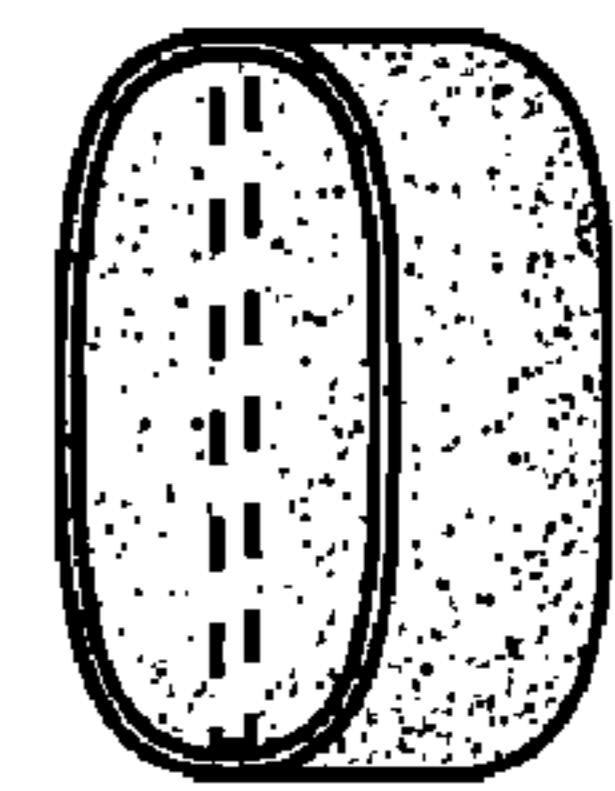


Fig. 8

Fig. 4

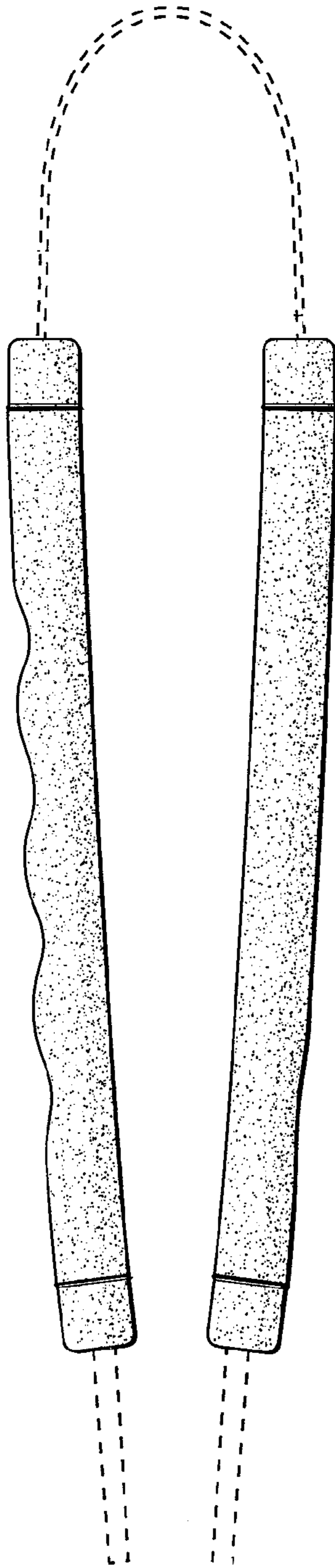


Fig. 2

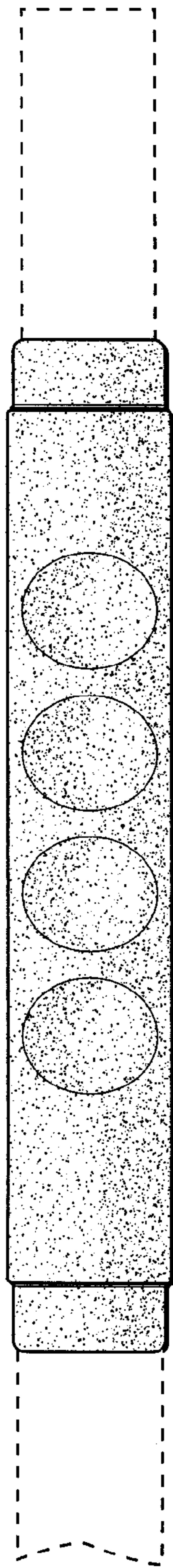


Fig. 3

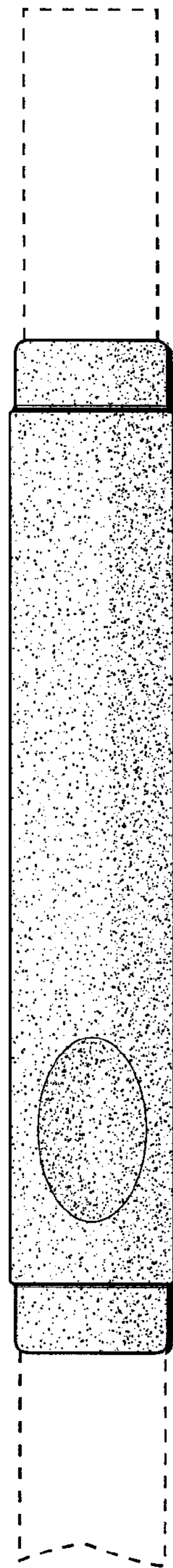


Fig. 5

