

US00D564287S

(12) **United States Design Patent**
Bouveret et al.

(10) **Patent No.:** **US D564,287 S**
(45) **Date of Patent:** **** Mar. 18, 2008**

(54) **LID FOR CONTAINER**

(75) Inventors: **Nicolas Bouveret**, Mirabel (CA);
Jean-Pierre Lacroix, Bois d'Amont
(FR)

(73) Assignee: **North America I.M.L. Containers**,
St-Placide (CA)

(**) Term: **14 Years**

(21) Appl. No.: **29/248,387**

(22) Filed: **Aug. 14, 2006**

(51) **LOC (8) Cl.** **07-02**

(52) **U.S. Cl.** **D7/392.1**

(58) **Field of Classification Search** D7/391,
D7/392, 392.1, 629, 538, 542; D9/435, 436,
D9/443, 452, 454, 503, 504; 220/700, 701,
220/780, 793, 315; 215/200, 224; 206/508
See application file for complete search history.

(56) **References Cited**

U.S. PATENT DOCUMENTS

D354,655 S *	1/1995	Daenen et al.	D7/392.1
D420,548 S *	2/2000	Loew et al.	D7/392.1
D429,640 S *	8/2000	Nielsen et al.	D9/435
D465,382 S *	11/2002	Wolf et al.	D7/392.1
D485,468 S *	1/2004	Roth et al.	D7/392.1
D502,049 S *	2/2005	Munson et al.	D7/392.1
D526,840 S *	8/2006	Carlson	D7/392.1

* cited by examiner

Primary Examiner—Holly H. Baynham

Assistant Examiner—Cynthia M. Chin

(74) *Attorney, Agent, or Firm*—Ogilvy Renault LLP

(57) **CLAIM**

The ornamental design for a lid for container, as shown and described.

DESCRIPTION

FIG. 1 is a top perspective view of a first embodiment of the lid for container;

FIG. 2 is a bottom perspective view thereof;

FIG. 3 is a side elevation view thereof;

FIG. 4 is an end elevation view thereof;

FIG. 5 is a top plan view thereof;

FIG. 6 is a bottom plan view thereof;

FIG. 7 is a top perspective view of a second embodiment of the lid for container;

FIG. 8 is a bottom perspective view thereof;

FIG. 9 is a side elevation view thereof;

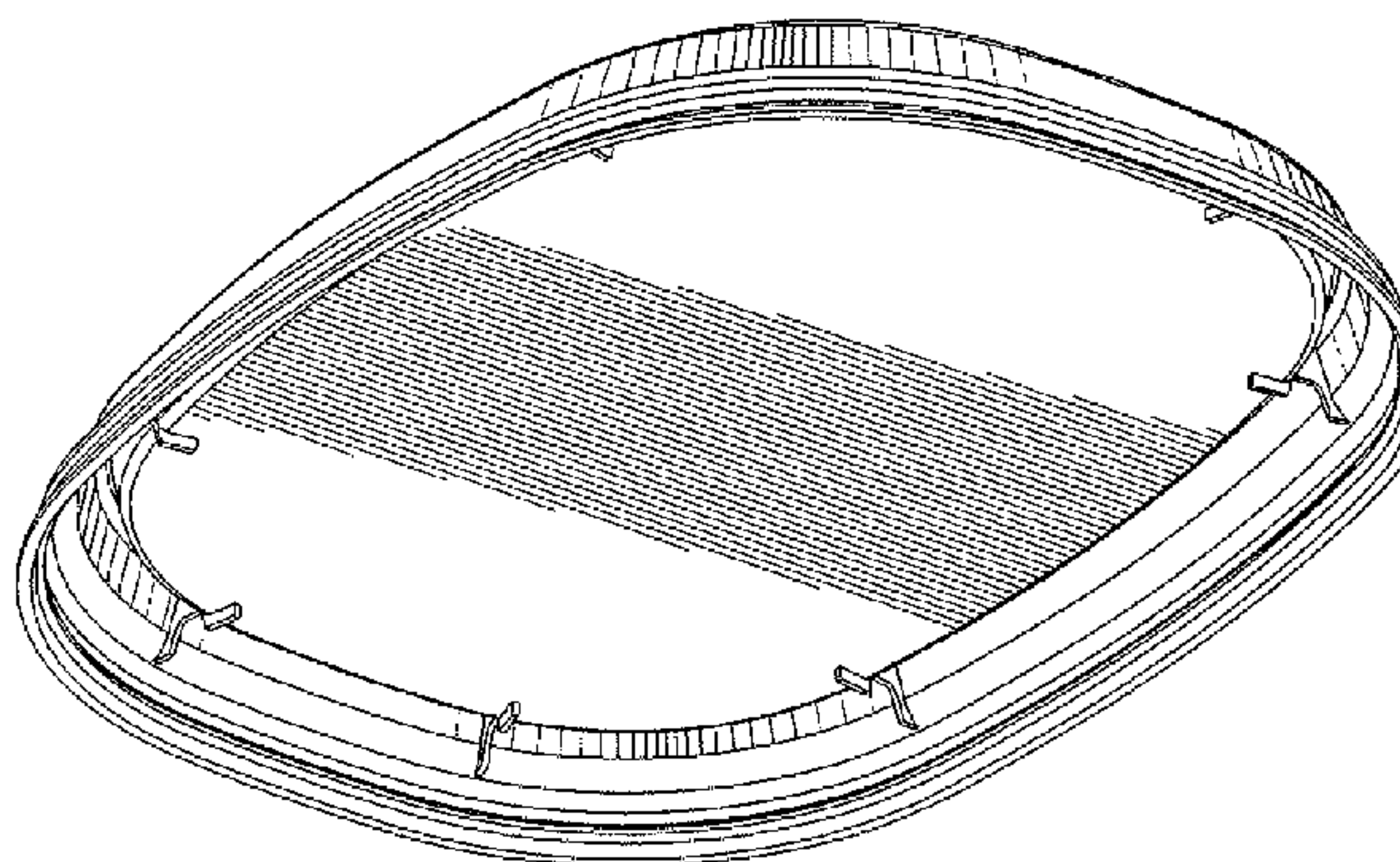
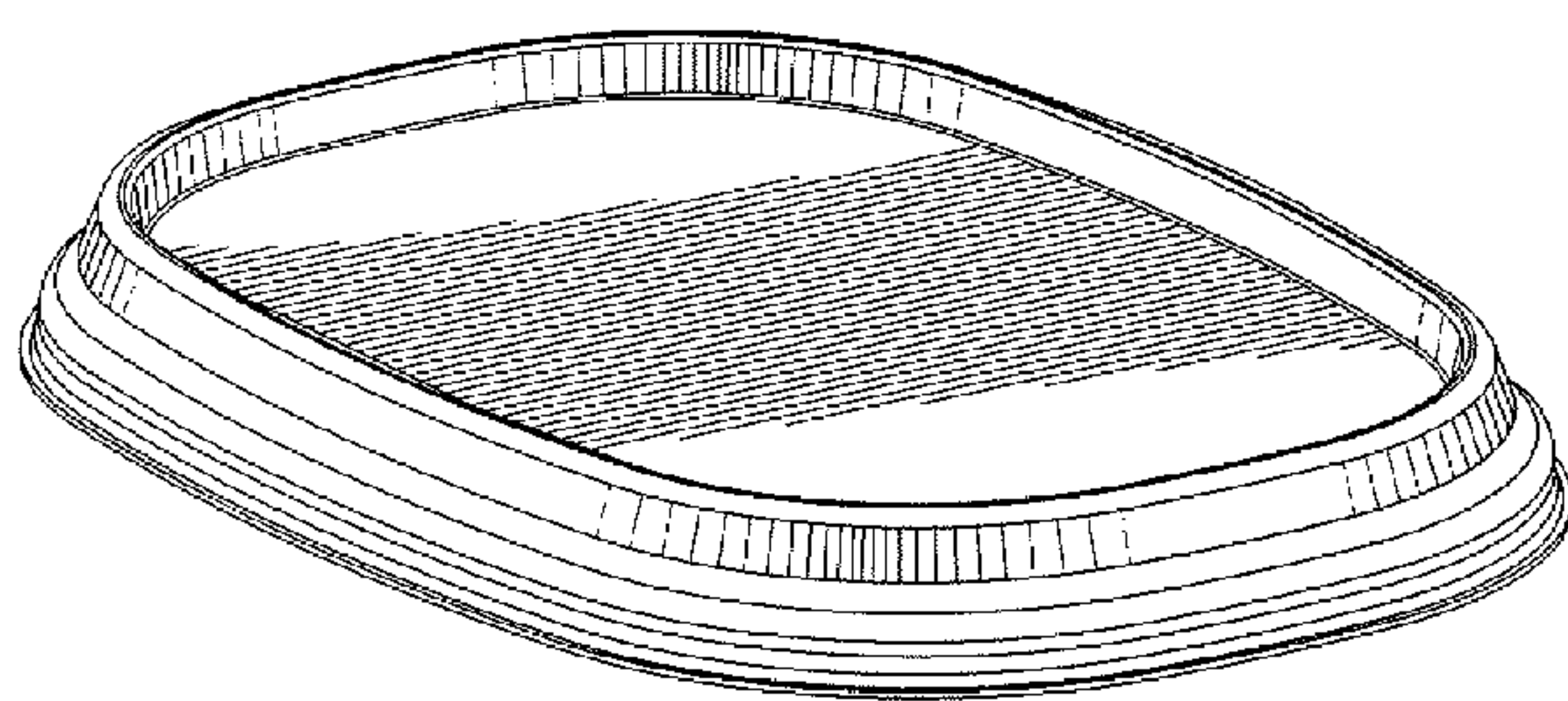
FIG. 10 is an end elevation view thereof;

FIG. 11 is a top plan view thereof; and,

FIG. 12 is a bottom plan view thereof

The broken lines in some figures are for illustrative purposes only and form no part of the claimed design.

1 Claim, 8 Drawing Sheets



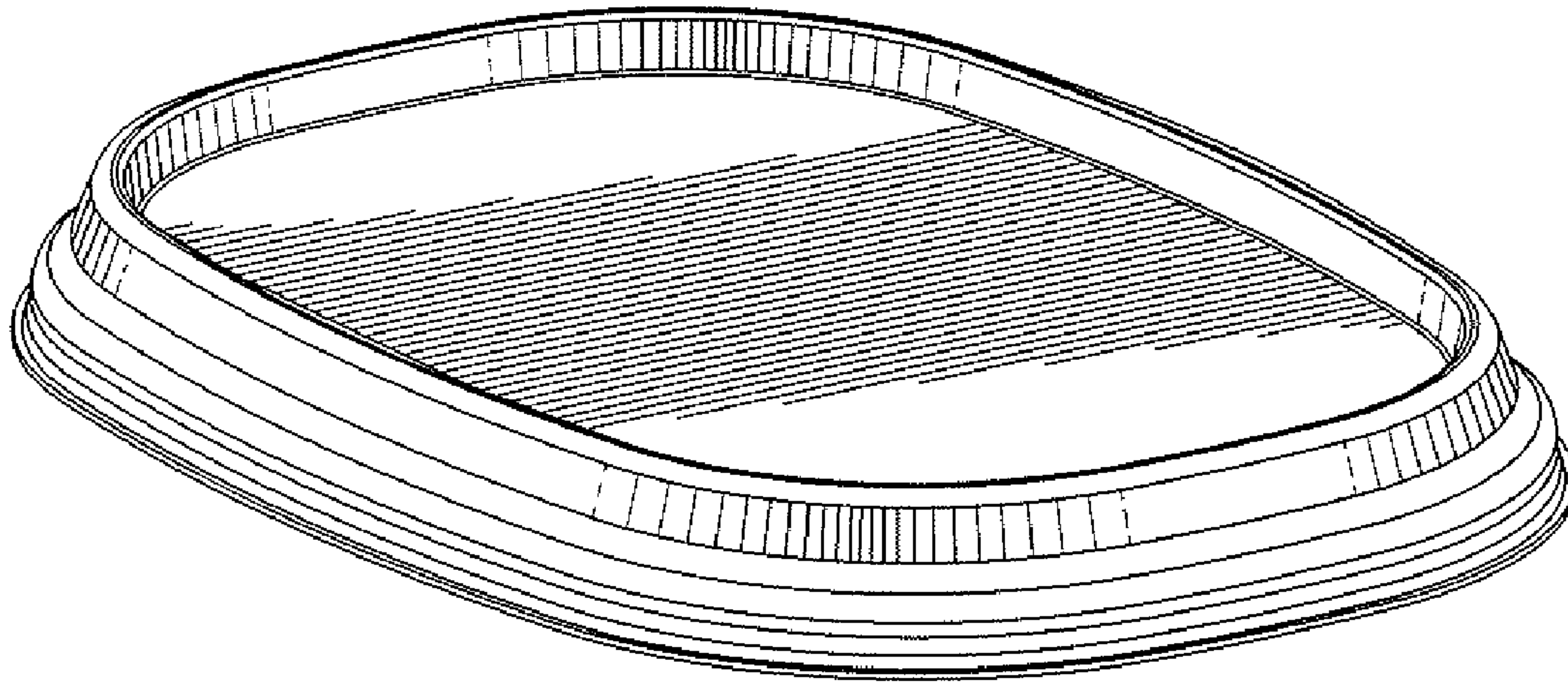


FIG-1

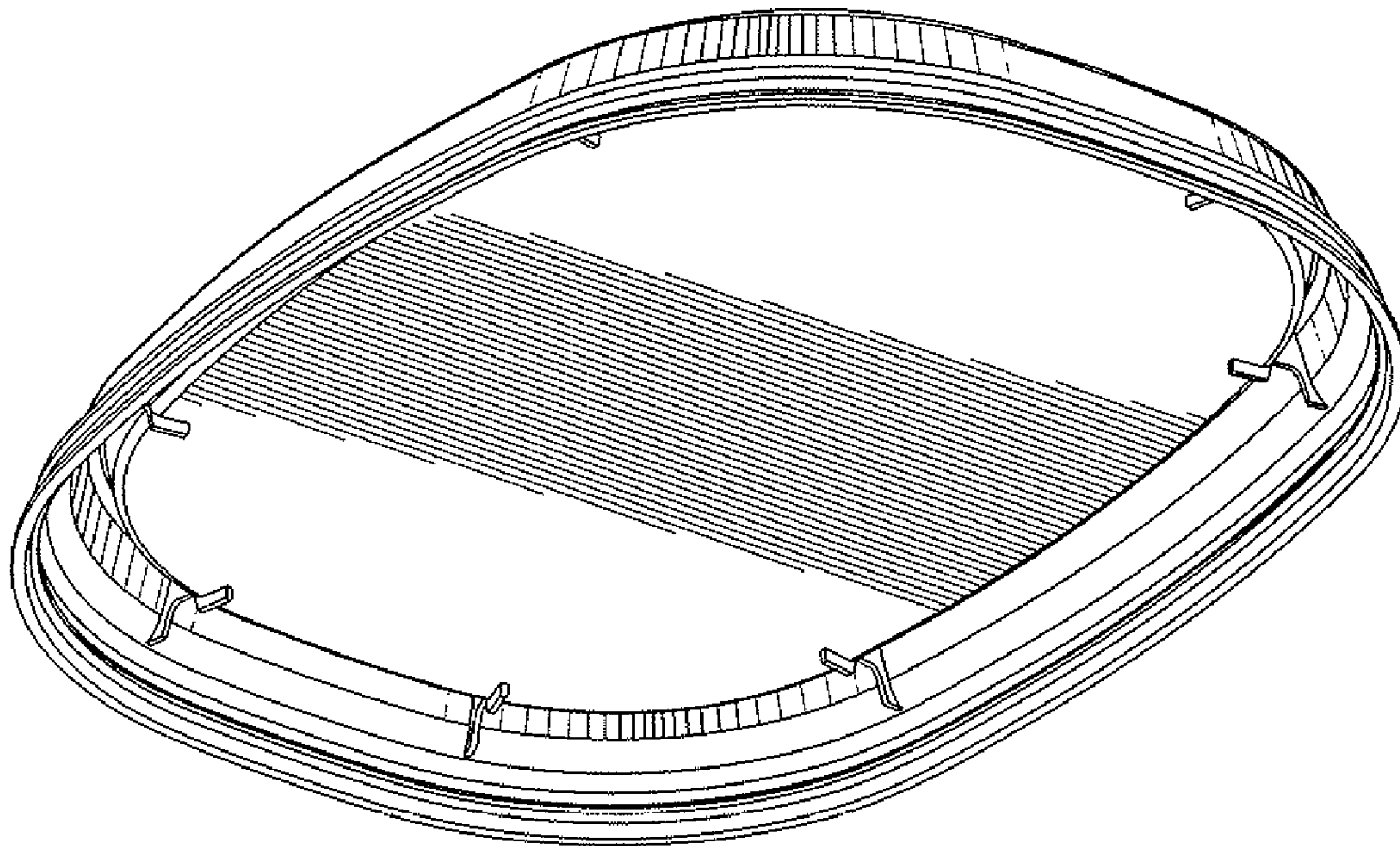


FIG-2

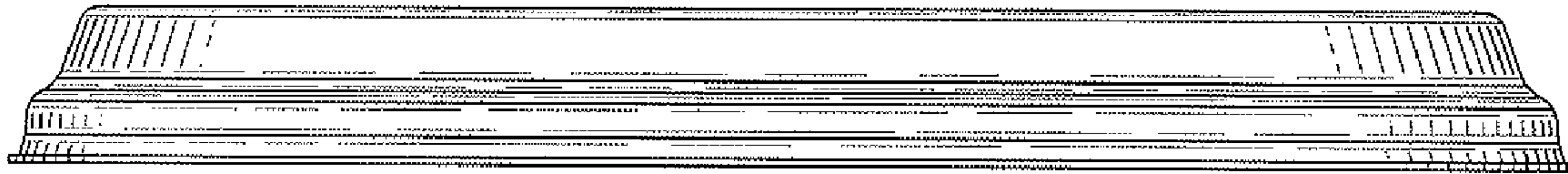


Fig-3

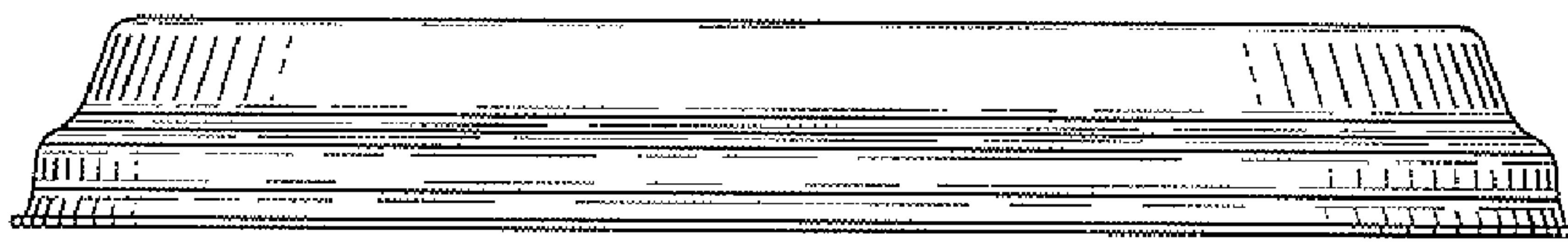


Fig-4

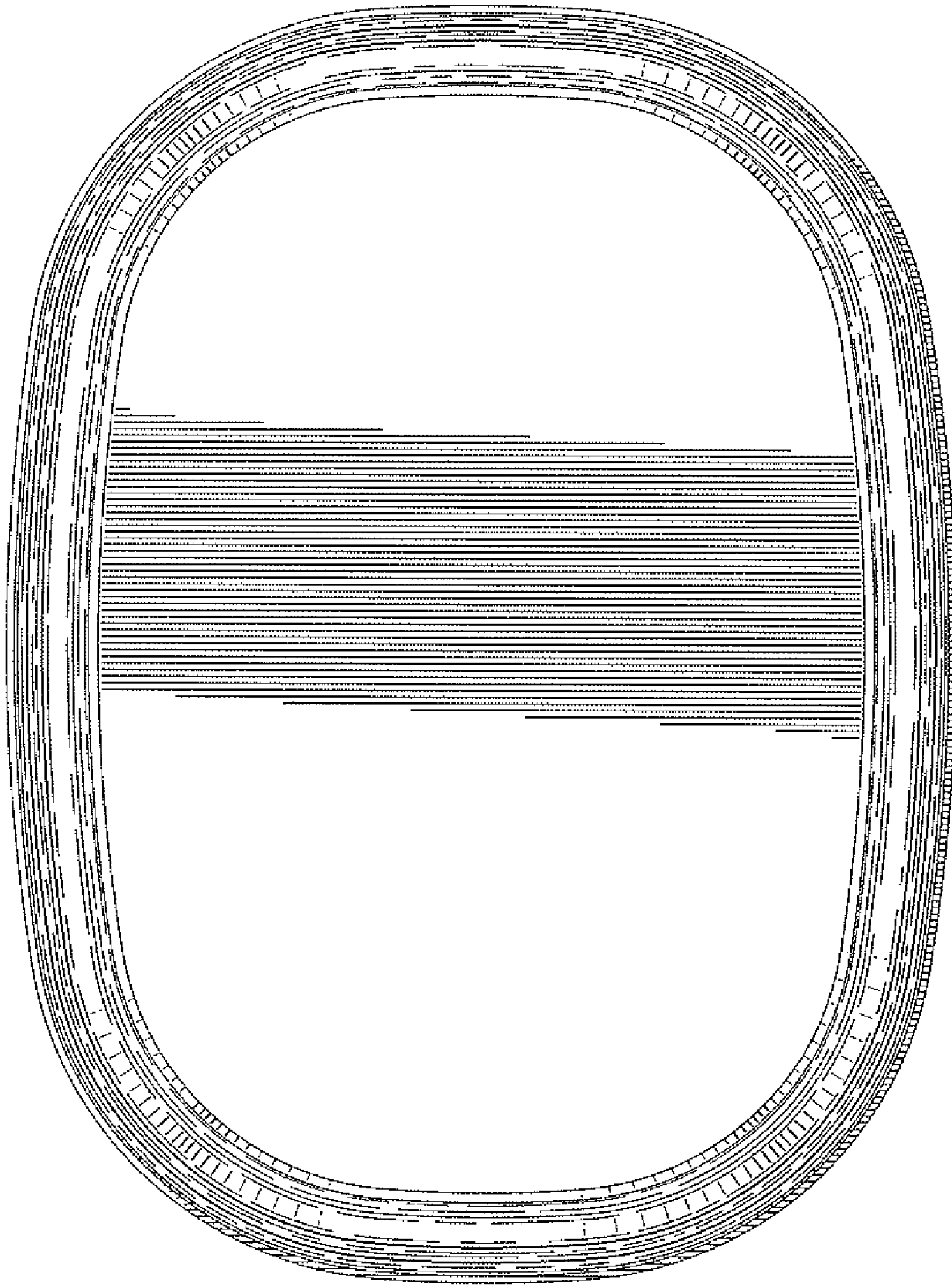


Fig. 5

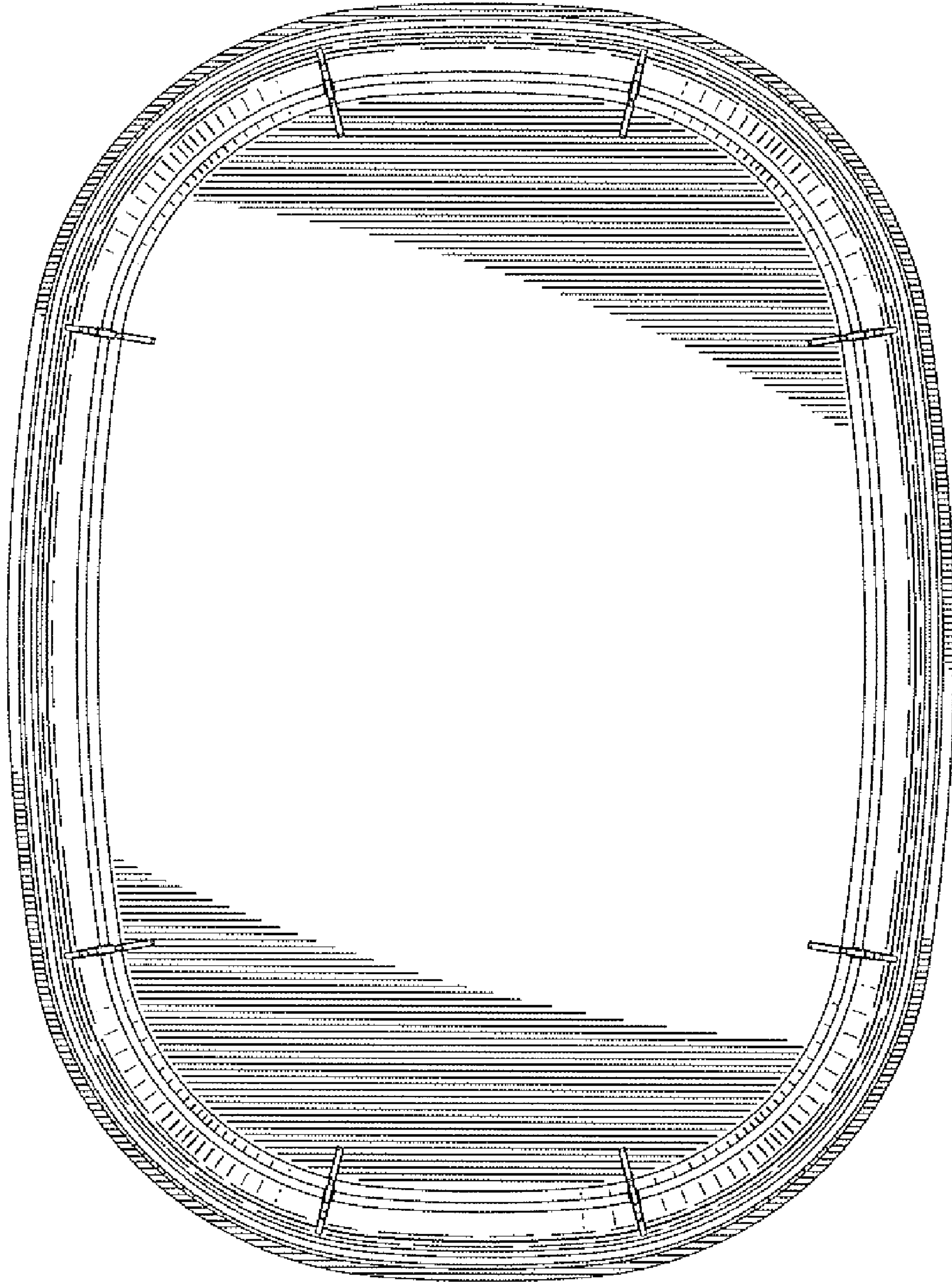


Fig. 6

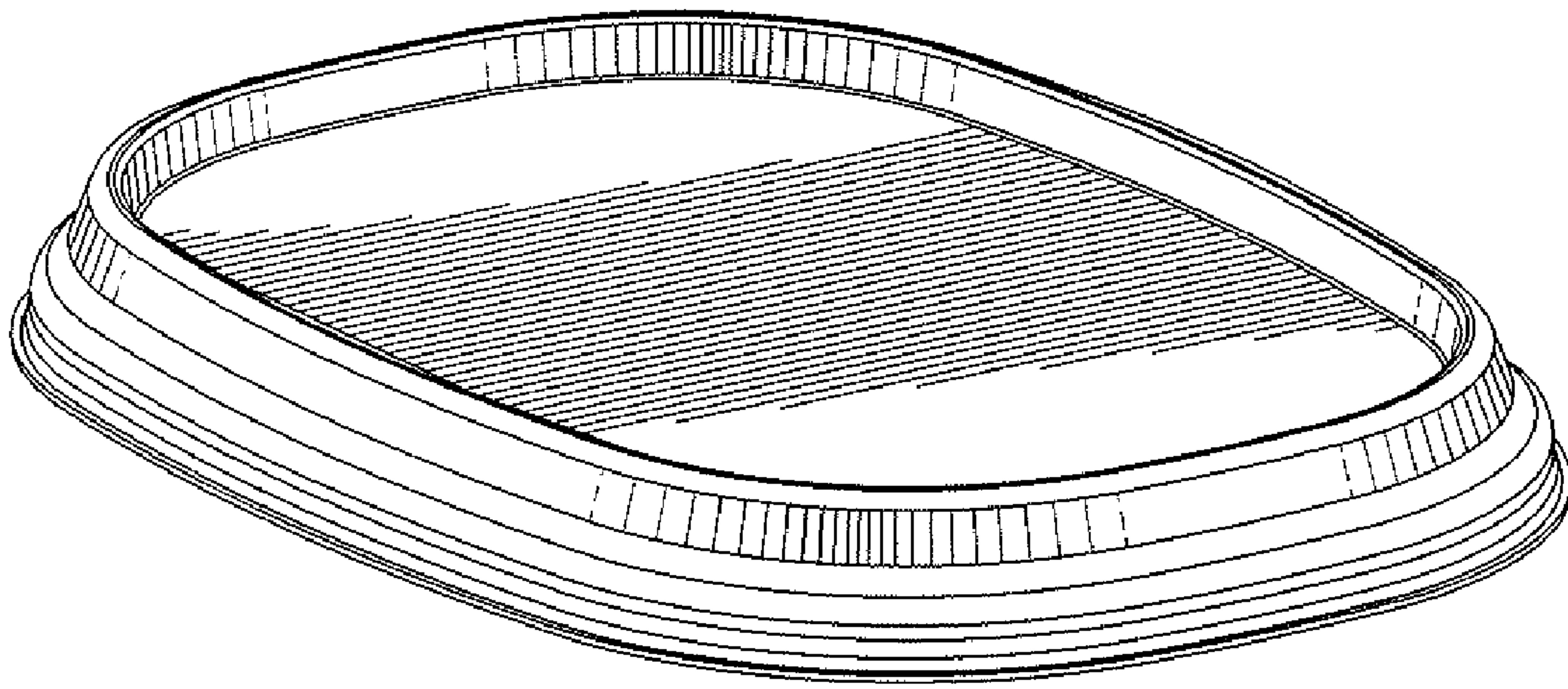


FIG-7

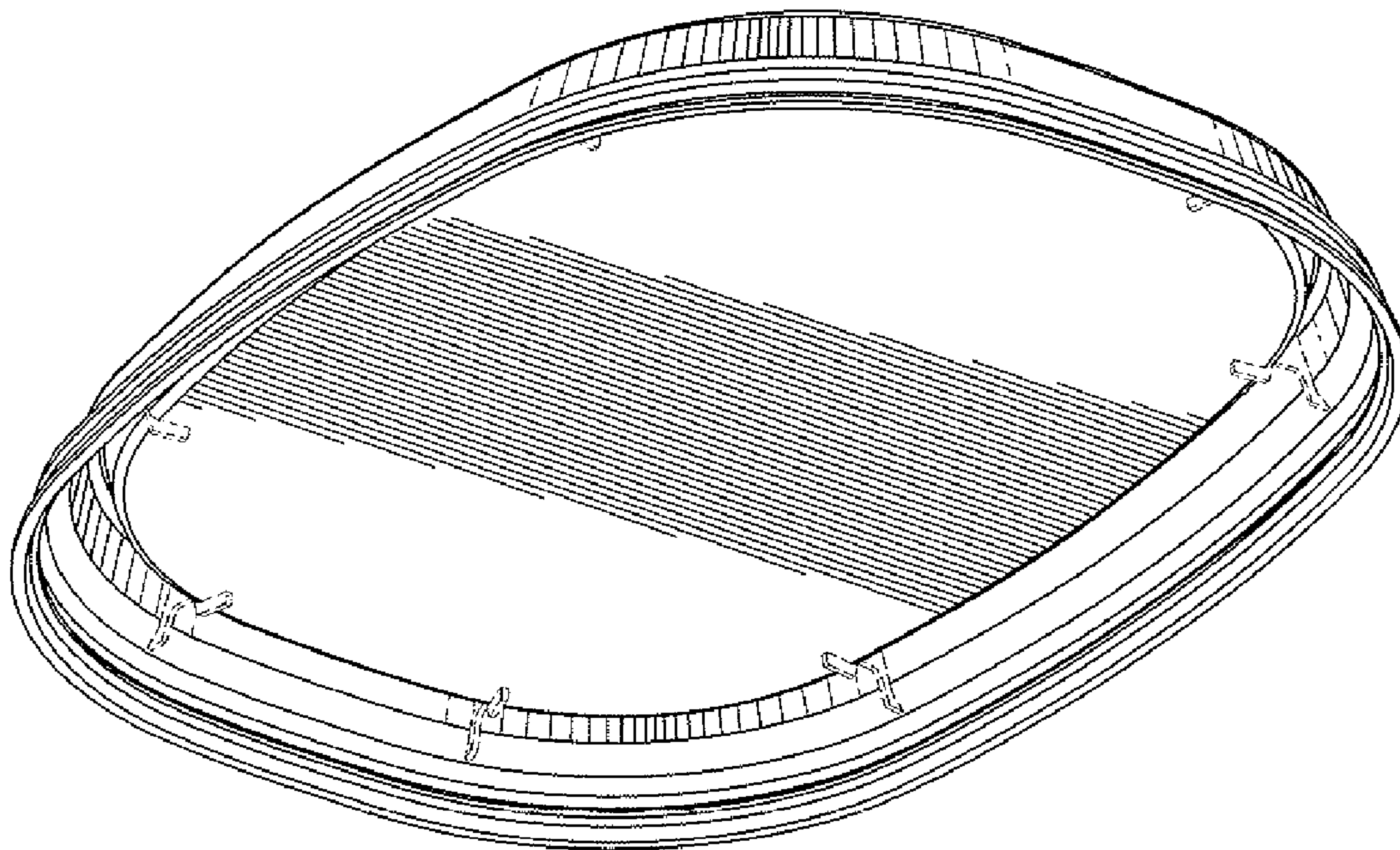


FIG-8

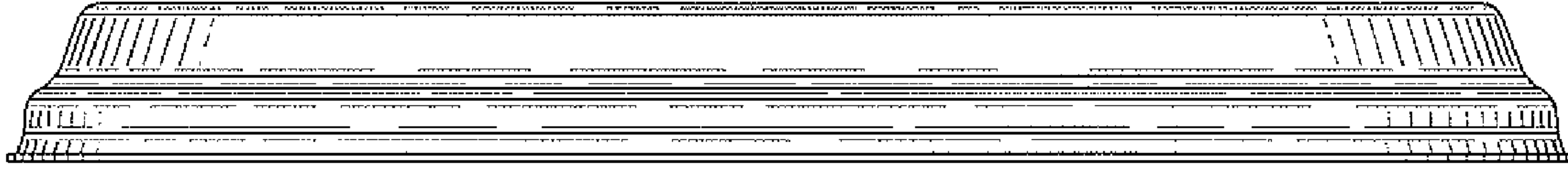


FIG. 9

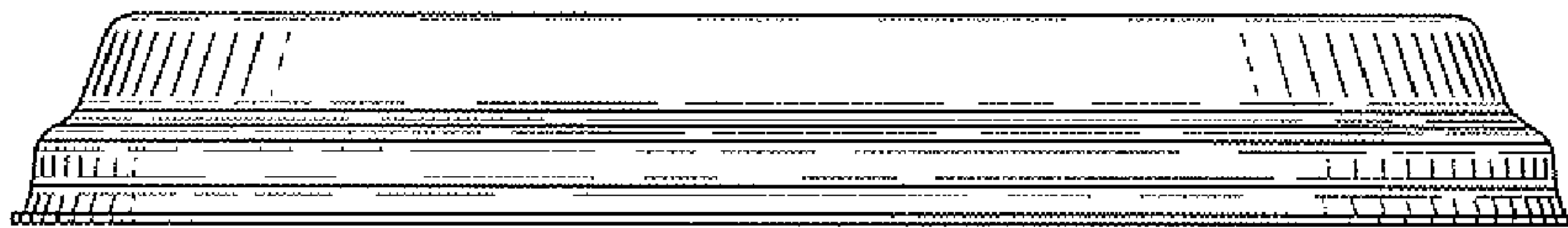


FIG. 10

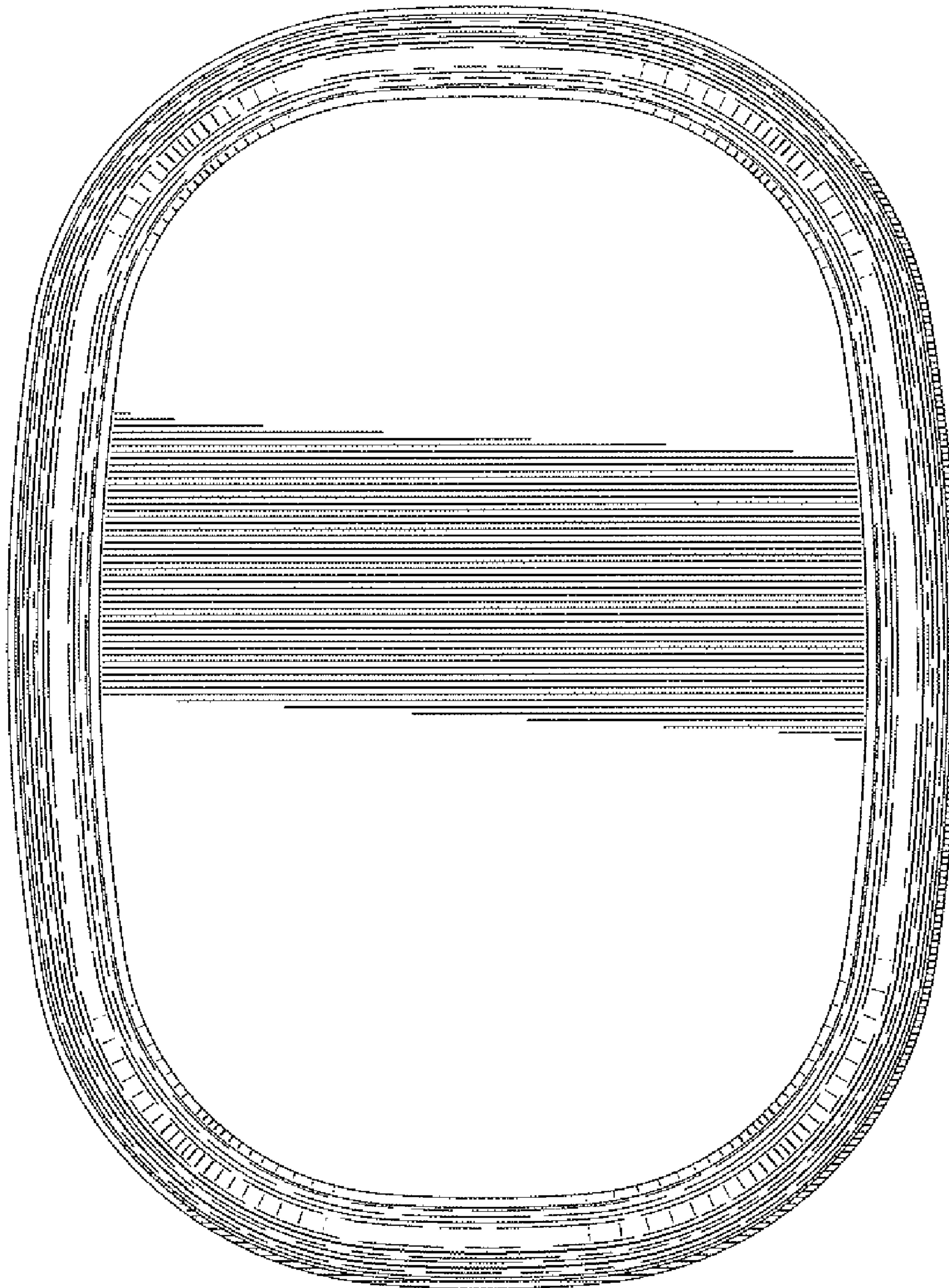


FIG-11

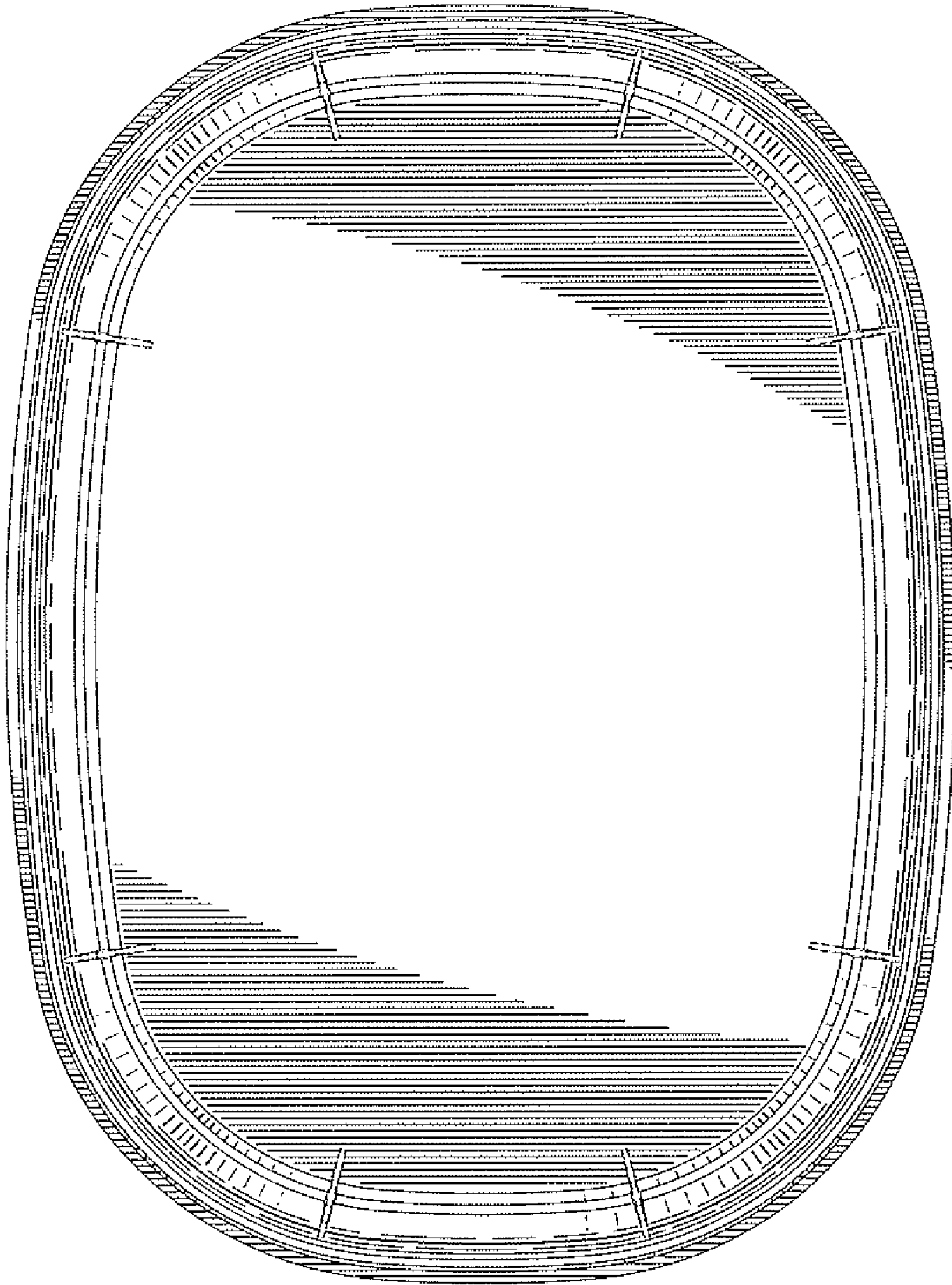


Fig-12