



US00D564286S

(12) **United States Design Patent**
Zemel

(10) **Patent No.: US D564,286 S**
(45) **Date of Patent: ** *Mar. 18, 2008**

(54) **COOKING DEVICE**

(75) Inventor: **Marc Zemel**, Melville, NY (US)

(73) Assignee: **Mr. Bar-B-Q-, Inc.**, Old Bethpage, NY (US)

(*) Notice: This patent is subject to a terminal disclaimer.

(**) Term: **14 Years**

(21) Appl. No.: **29/296,655**

(22) Filed: **Oct. 25, 2007**

Related U.S. Application Data

(63) Continuation-in-part of application No. 29/246,884, filed on May 18, 2006, now Pat. No. Des. 558,519.

(51) **LOC (8) Cl.** **07-02**

(52) **U.S. Cl.** **D7/354**

(58) **Field of Classification Search** D7/323,
D7/354-361, 387, 409, 553.6; D11/152;
D23/261; 99/340-347, 419-427, 449, 450;
220/573.1, 485, 491-494, 752, 759, 769,
220/912; 426/132, 523

See application file for complete search history.

(56) **References Cited**

U.S. PATENT DOCUMENTS

1,339,625	A	5/1920	Holloway	
2,362,921	A	11/1944	Palensky	
2,821,904	A	2/1958	Arcabosso	
3,392,665	A *	7/1968	Harnest	99/426
D322,911	S *	1/1992	Schmengler	D7/359
D327,534	S	6/1992	Manville	
5,301,602	A	4/1994	Ryczek	
5,575,198	A	11/1996	Lowery	
D377,028	S	12/1996	Monday	
5,893,320	A	4/1999	Demaree	
D412,297	S *	7/1999	Roach	D11/152
6,062,131	A	5/2000	Holland	
6,119,585	A	9/2000	Guidry	

6,119,588	A *	9/2000	Tiemann	99/426
6,125,739	A	10/2000	Jernigan	
6,192,792	B1	2/2001	Gremillion	
6,216,586	B1	4/2001	Burgin	
D444,676	S *	7/2001	Murphy	D7/553.6
6,276,000	B1	8/2001	Saman	
D453,488	S *	2/2002	McCauley	D11/152
6,349,632	B1	2/2002	Beck, Jr.	
6,427,582	B1 *	8/2002	Measom	99/342
6,460,452	B1	10/2002	Hester	
6,467,399	B1	10/2002	Boutte	
6,487,964	B2	12/2002	Snoke	
6,502,501	B1	1/2003	Simon	
6,503,551	B1	1/2003	Hester	

(Continued)

OTHER PUBLICATIONS

Clever Gear Early Holiday 2004 □ □ Vertical Grilling Wok, p. 24.*

Primary Examiner—Caron D. Veynar

Assistant Examiner—Ricky Pham

(74) *Attorney, Agent, or Firm*—Seth Natter; Natter & Natter

(57) **CLAIM**

The ornamental design for a cooking device, as shown and described.

DESCRIPTION

FIG. 1 is a perspective view of a cooking device showing my new design;

FIG. 2 is a top plan view thereof;

FIG. 3 is a bottom view thereof;

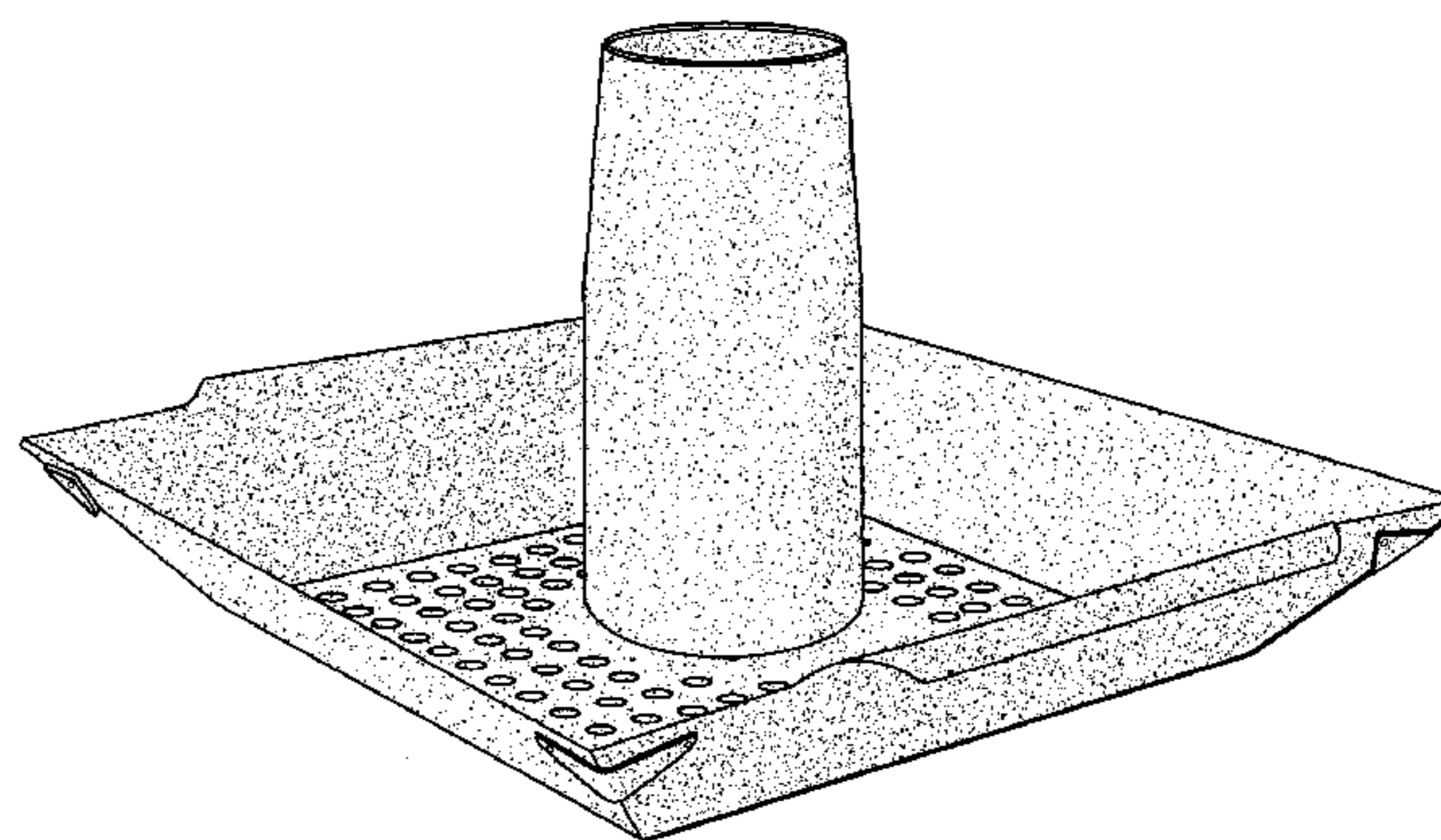
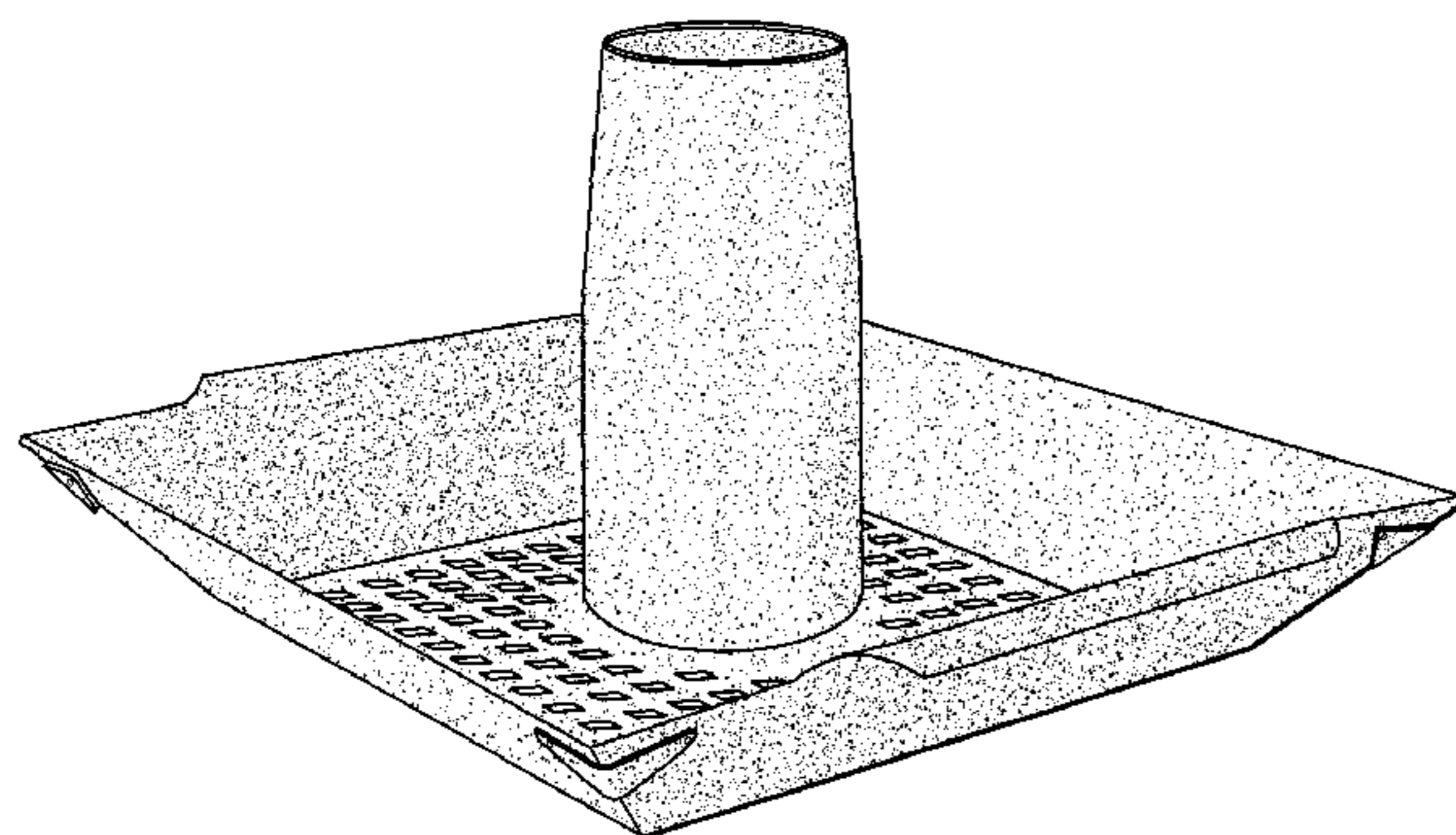
FIG. 4 is a side elevational view thereof;

FIG. 5 is a front view thereof; and,

FIG. 6 is a perspective view of an alternate embodiment.

The side not illustrated is identical to the side illustrated in FIG. 4; the rear is identical to the front view of FIG. 5; the top, bottom, sides, front and rear of the alternate embodiment are identical to the respective views of FIG. 2, FIG. 3, FIG. 4 and FIG. 5, substituting circular apertures for the quadrilateral apertures.

1 Claim, 4 Drawing Sheets



US D564,286 S

Page 2

U.S. PATENT DOCUMENTS

6,553,896 B1	4/2003	Heide	D506,352 S	6/2005	Dow	
6,557,460 B2	5/2003	Hester	D513,930 S *	1/2006	Novi	D7/409
6,575,082 B1	6/2003	Liao	D522,807 S	6/2006	Dow	
6,622,616 B1	9/2003	Measom	7,063,007 B2	6/2006	Citrynell	
D486,991 S *	2/2004	Lee	D558,519 S *	1/2008	Zemel	D7/409
D493,256 S	7/2004	Kim	2002/0100371 A1 *	8/2002	Snoke et al.	99/419
6,779,438 B1	8/2004	Citrynell	2002/0195001 A1 *	12/2002	Hester	99/345

* cited by examiner

Fig. 1

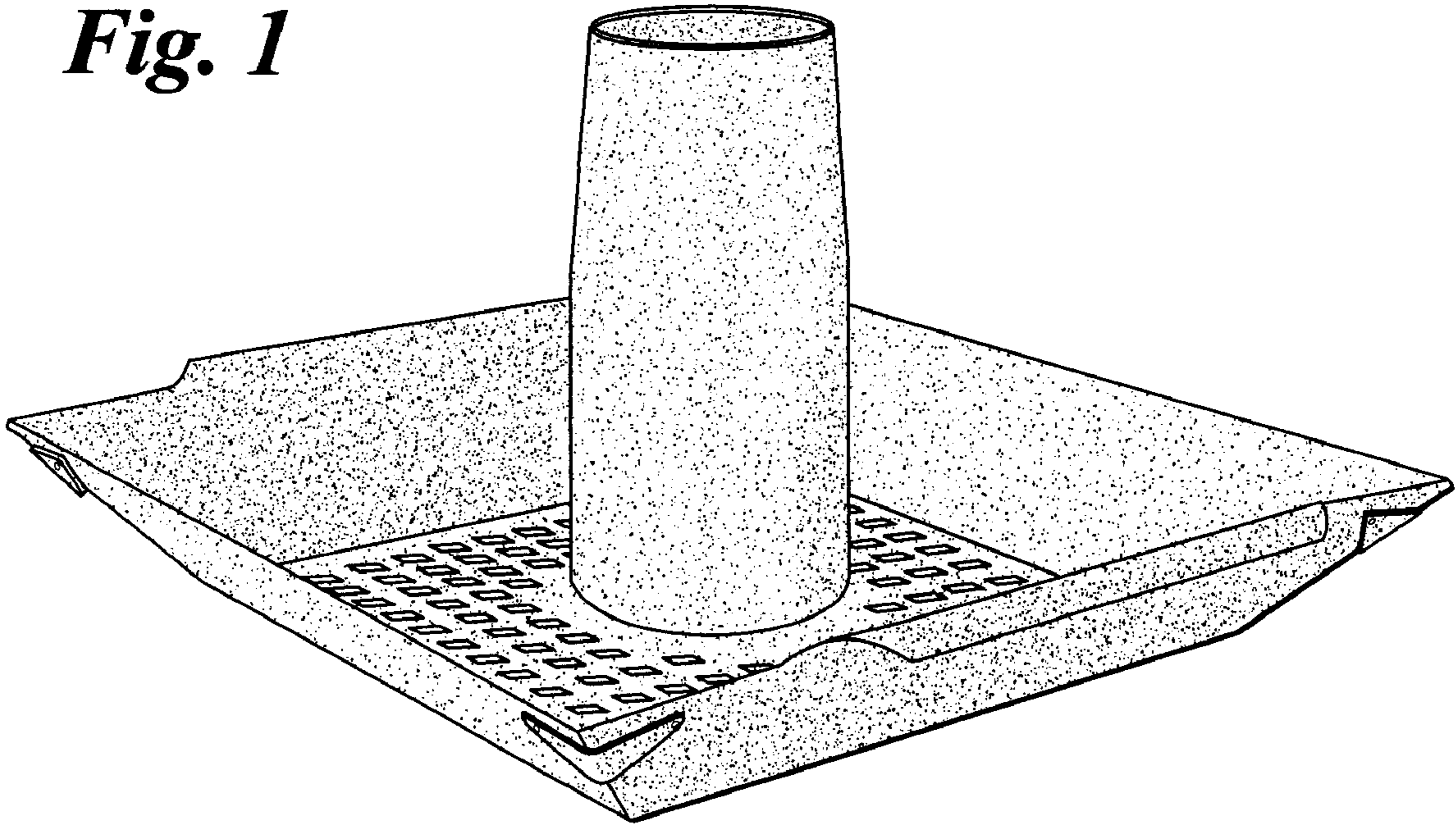


Fig. 2

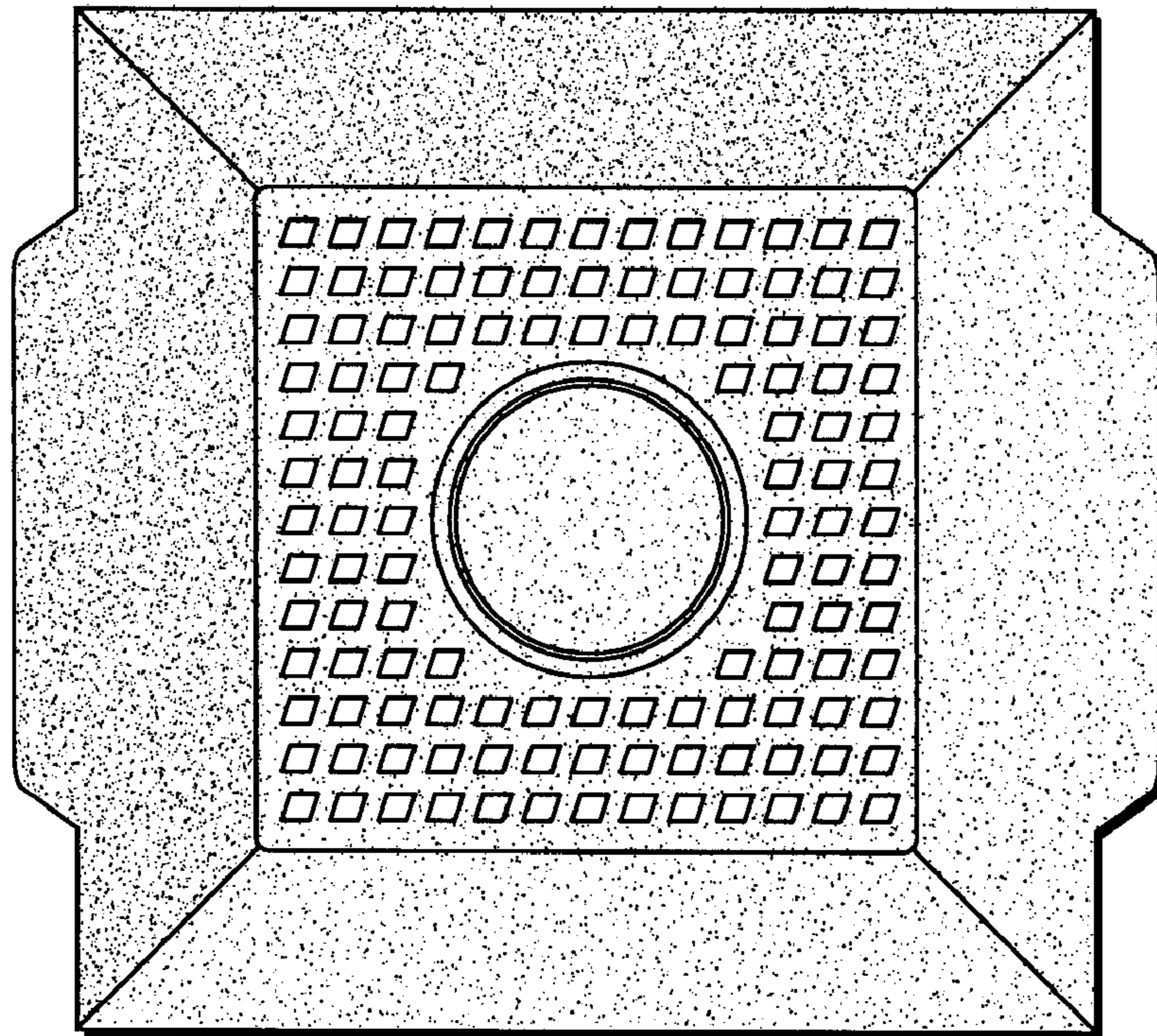


Fig. 3

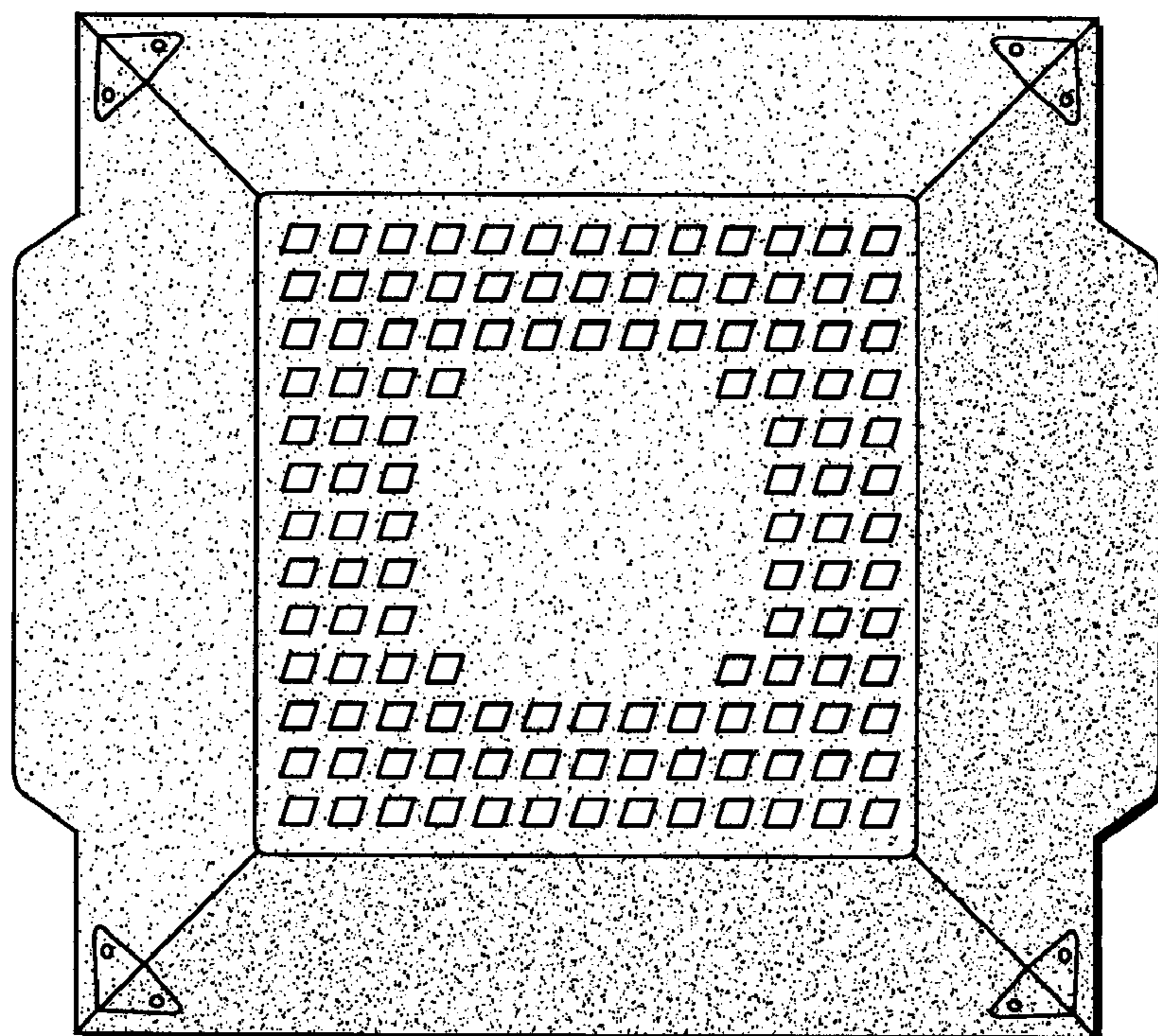


Fig. 4

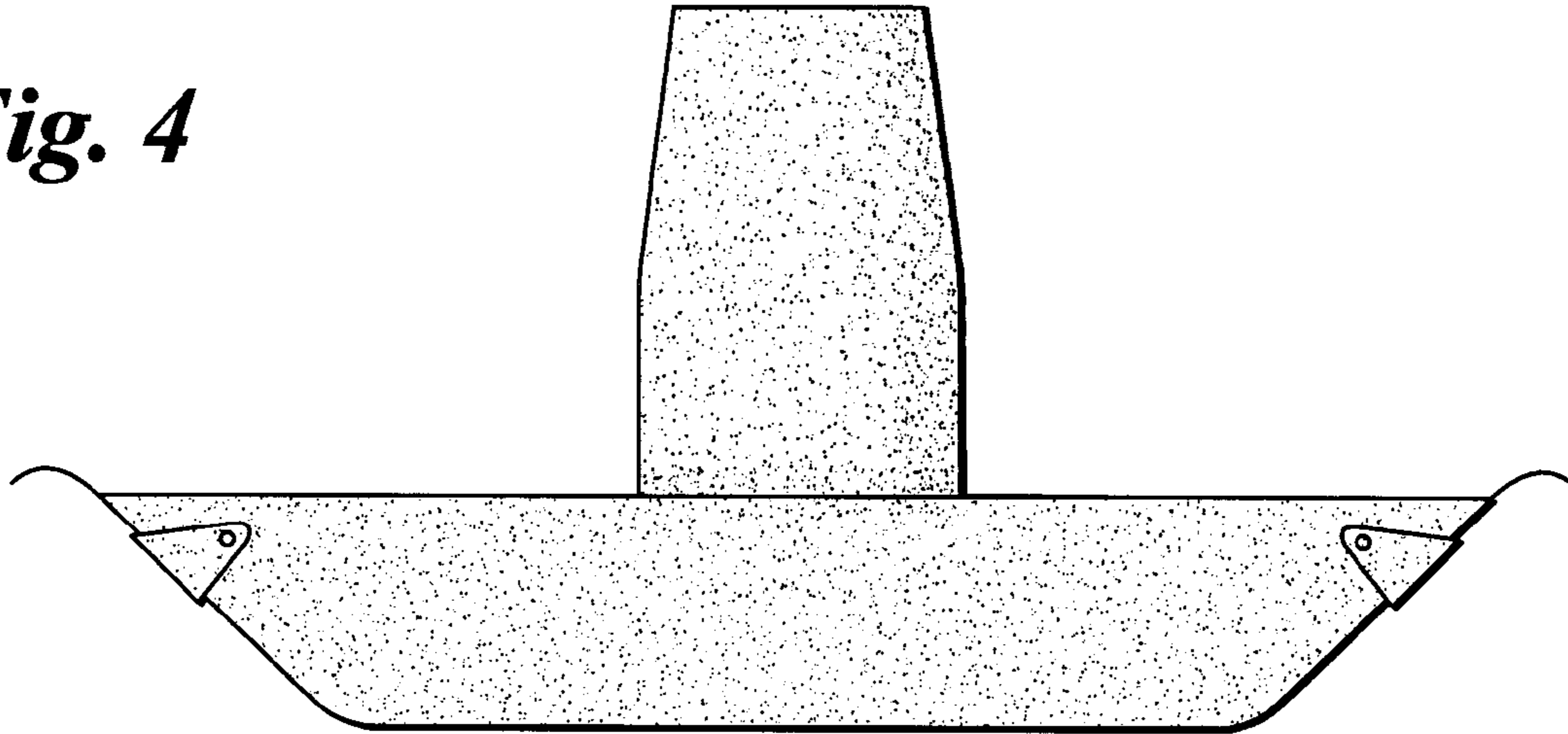


Fig. 5

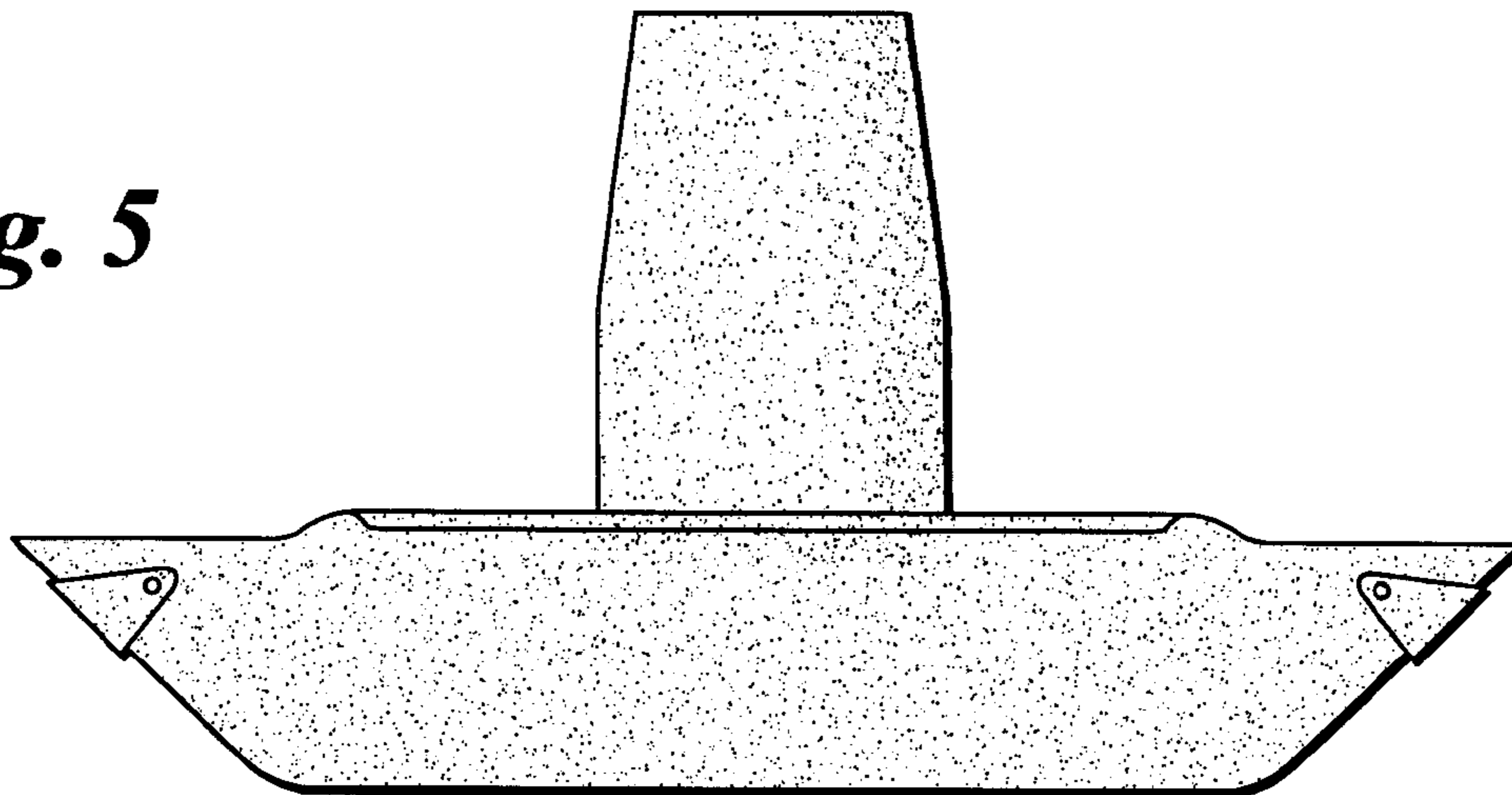


Fig. 6

