



US00D564284S

(12) **United States Design Patent**
Leung et al.

(10) **Patent No.:** **US D564,284 S**
(45) **Date of Patent:** **** Mar. 18, 2008**

(54) **TOASTER OVEN**

(75) Inventors: **Philip Leung**, Cambridge, MA (US);
Carl Betterley, Boston, MA (US);
Evan Grant, Medford, MA (US);
Augusto Picozza, Boca Raton, FL (US)

(73) Assignee: **Sunbeam Products, Inc.**, Boca Raton, FL (US)

(**) Term: **14 Years**

(21) Appl. No.: **29/271,894**

(22) Filed: **Jan. 26, 2007**

(51) **LOC (8) Cl.** **07-02**

(52) **U.S. Cl.** **D7/350.1**

(58) **Field of Classification Search** D7/350.1,
D7/350.3-350.4, 351, 402, 405, 339-340,
D7/348-349; 126/19 M, 21 R, 275 E, 273 A;
219/756-758

See application file for complete search history.

(56) **References Cited**

U.S. PATENT DOCUMENTS

D481,582 S	*	11/2003	Seum et al.	D7/350.1
D489,934 S	*	5/2004	Sagawa et al.	D7/351
D522,800 S	*	6/2006	Lee et al.	D7/351
D525,075 S	*	7/2006	Jeon	D7/350.1
D525,477 S	*	7/2006	Kim	D7/351
D527,572 S	*	9/2006	Lee et al.	D7/350.1

D530,561 S	*	10/2006	Kim	D7/351
D539,073 S	*	3/2007	Kanza	D7/351
D540,106 S	*	4/2007	Jeon	D7/351
D540,613 S	*	4/2007	Jeon	D7/350.1
D541,578 S	*	5/2007	Jeon	D7/350.1

* cited by examiner

Primary Examiner—Ruth McInroy

(74) *Attorney, Agent, or Firm*—Lawrence J. Shurupoff

(57) **CLAIM**

The ornamental design for a toaster oven, as shown and described.

DESCRIPTION

FIG. 1 is a front right top perspective view of the toaster oven showing the new design;

FIG. 2 is a left side elevation view thereof;

FIG. 3 is a front elevation view thereof;

FIG. 4 is a right side elevation view thereof;

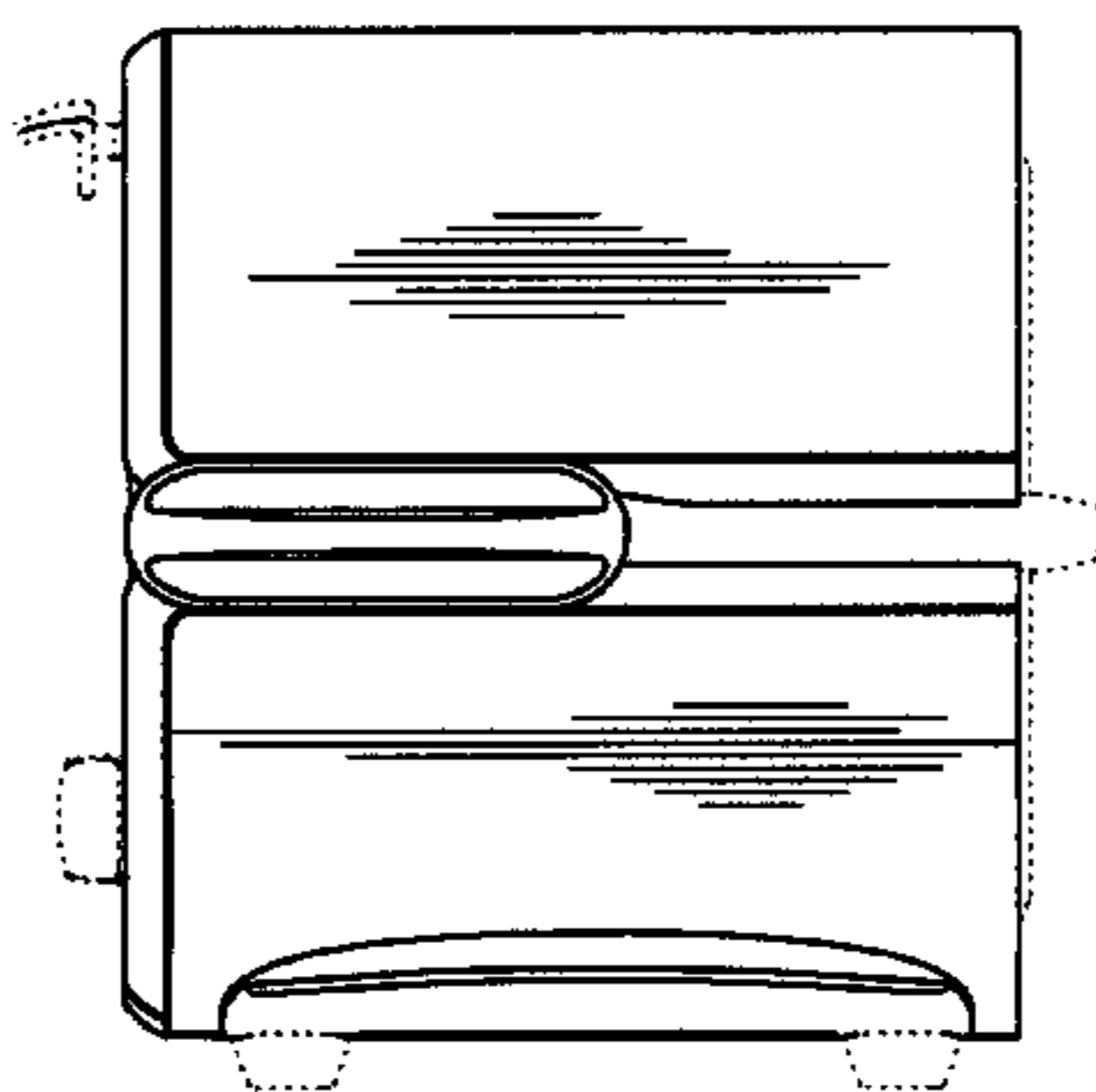
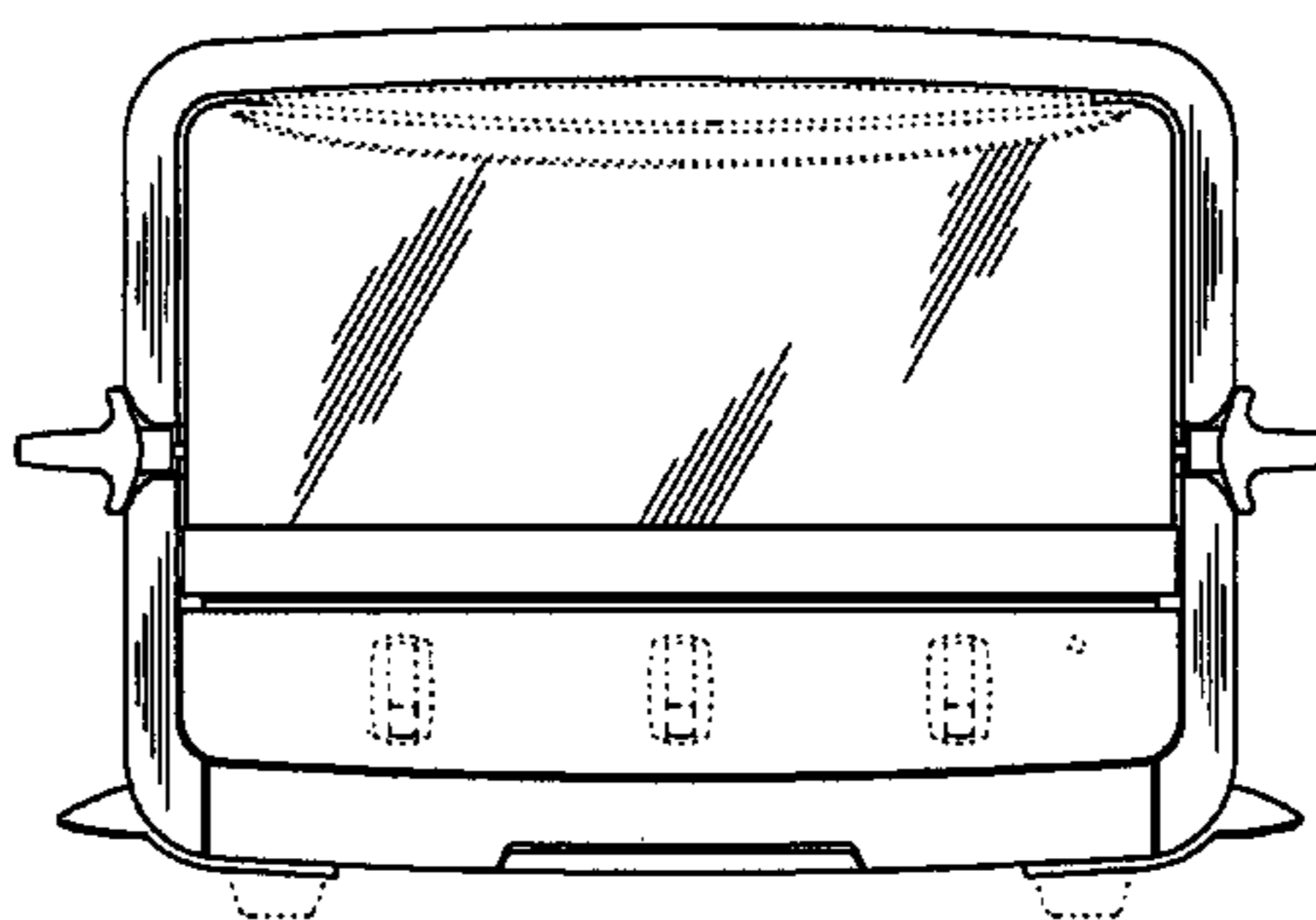
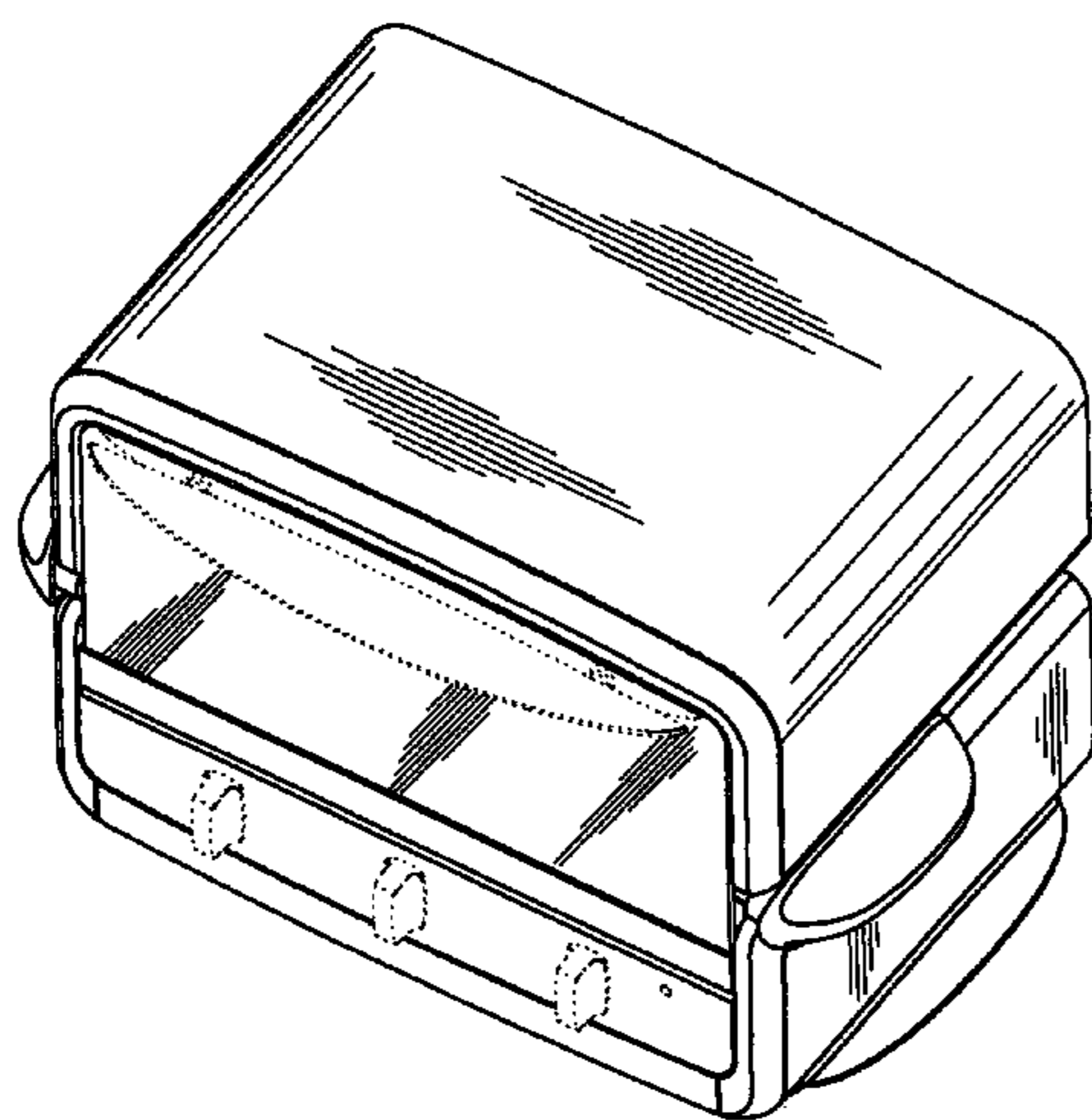
FIG. 5 is a back elevation view thereof; and,

FIG. 6 is a top plan view thereof.

The details shown in broken lines form no part of the claimed design.

The broken lines in the drawings are for illustrative purposes only and form no part of the claimed design.

1 Claim, 6 Drawing Sheets



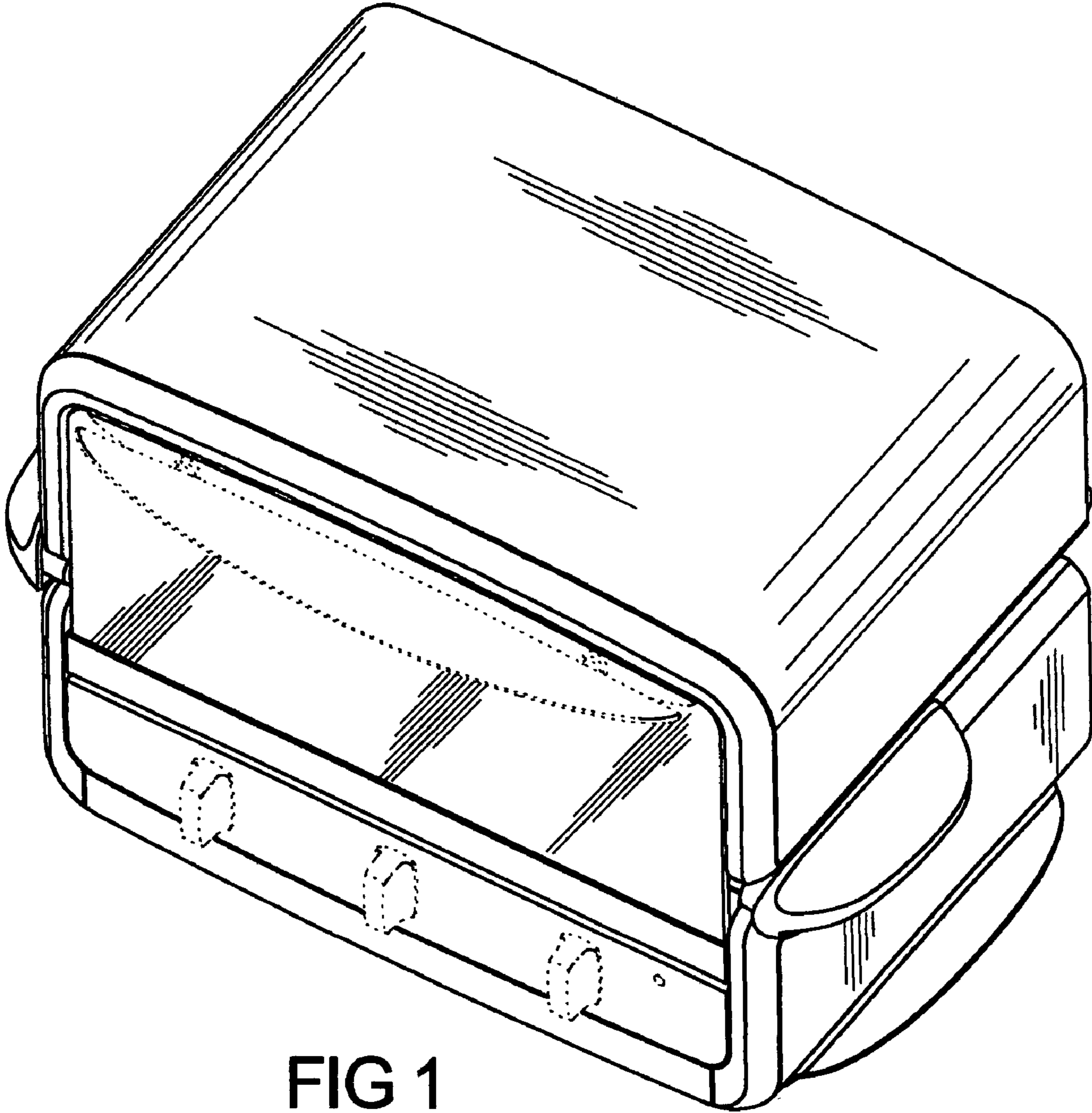


FIG 1

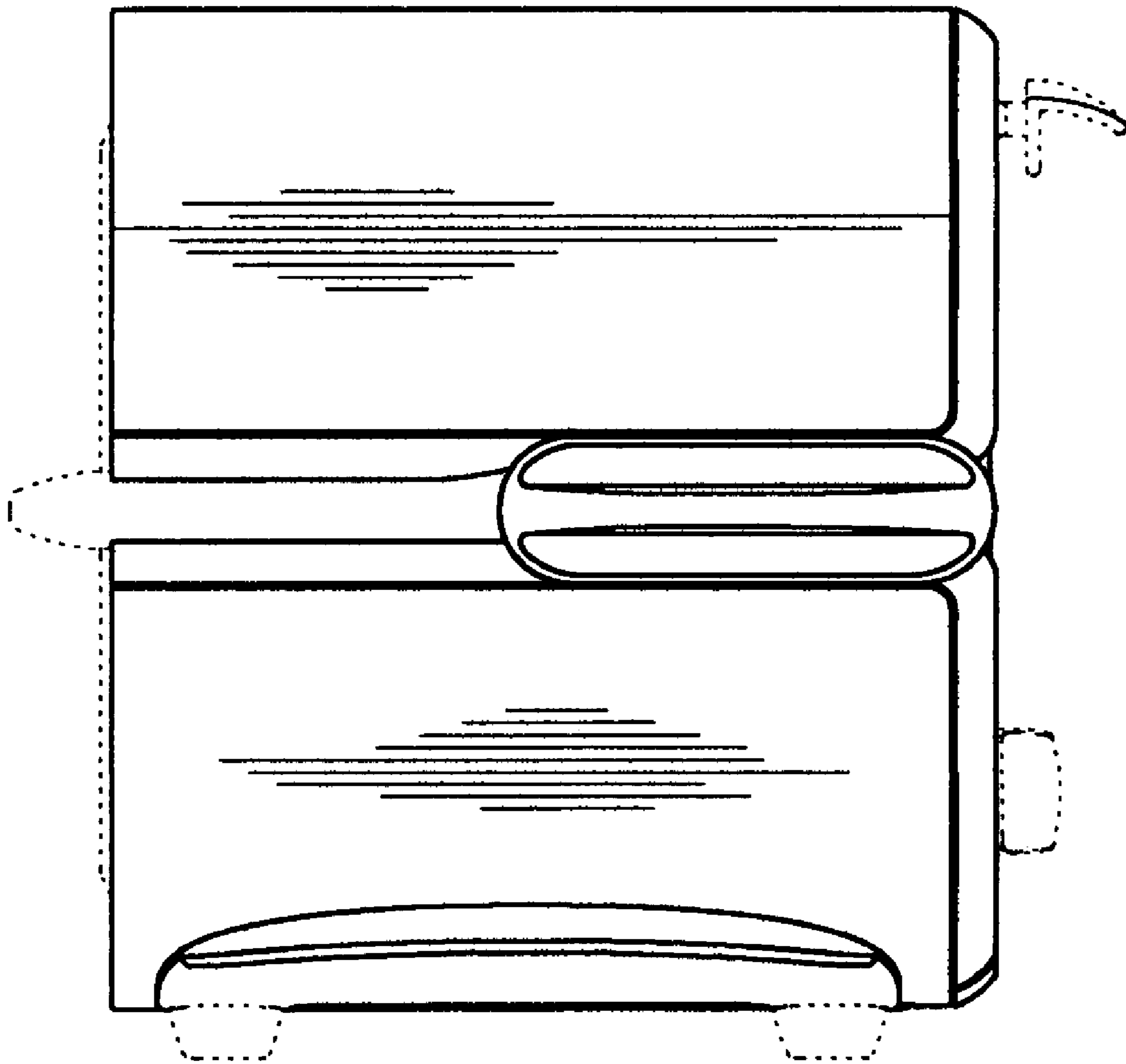


FIG 2

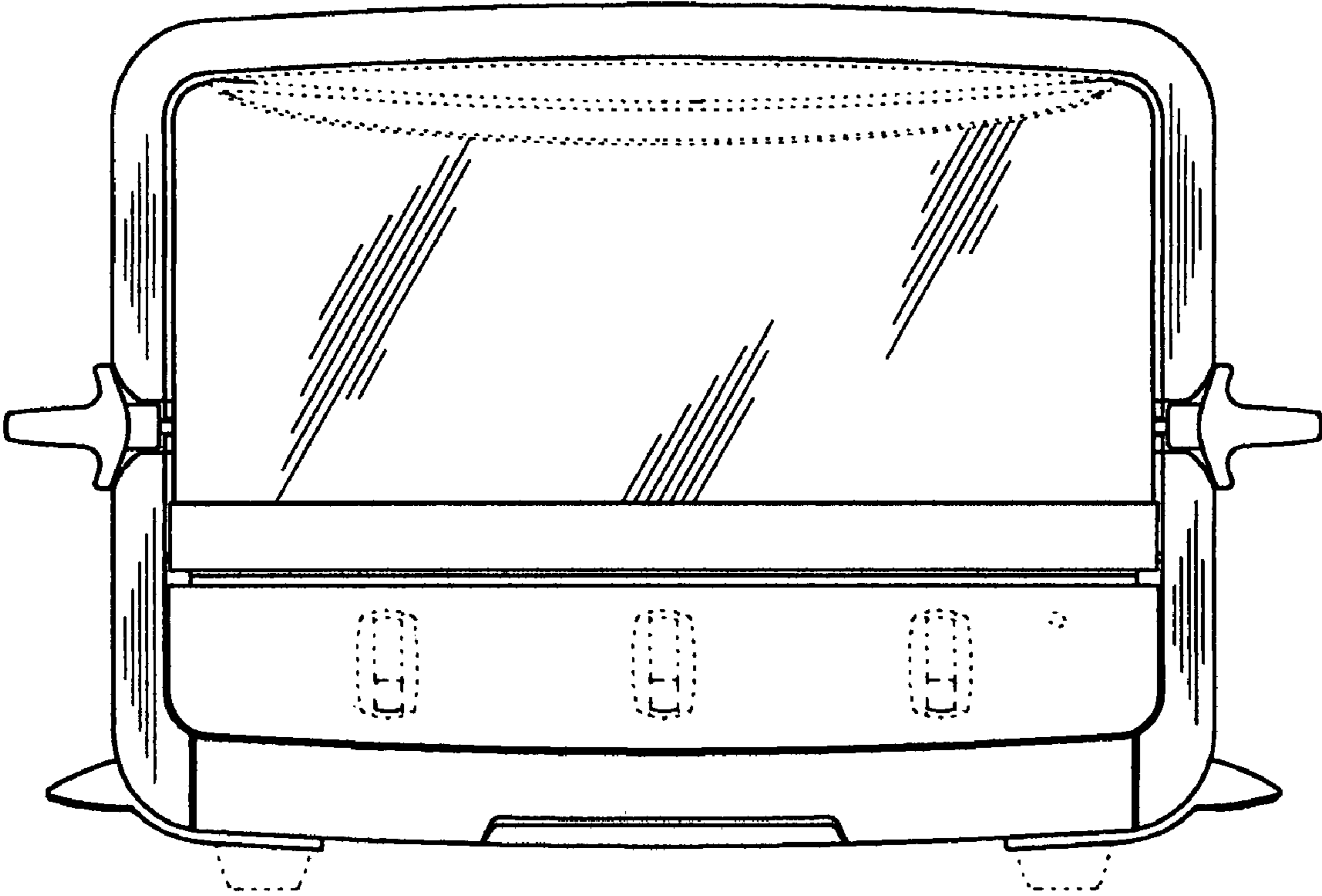


FIG 3

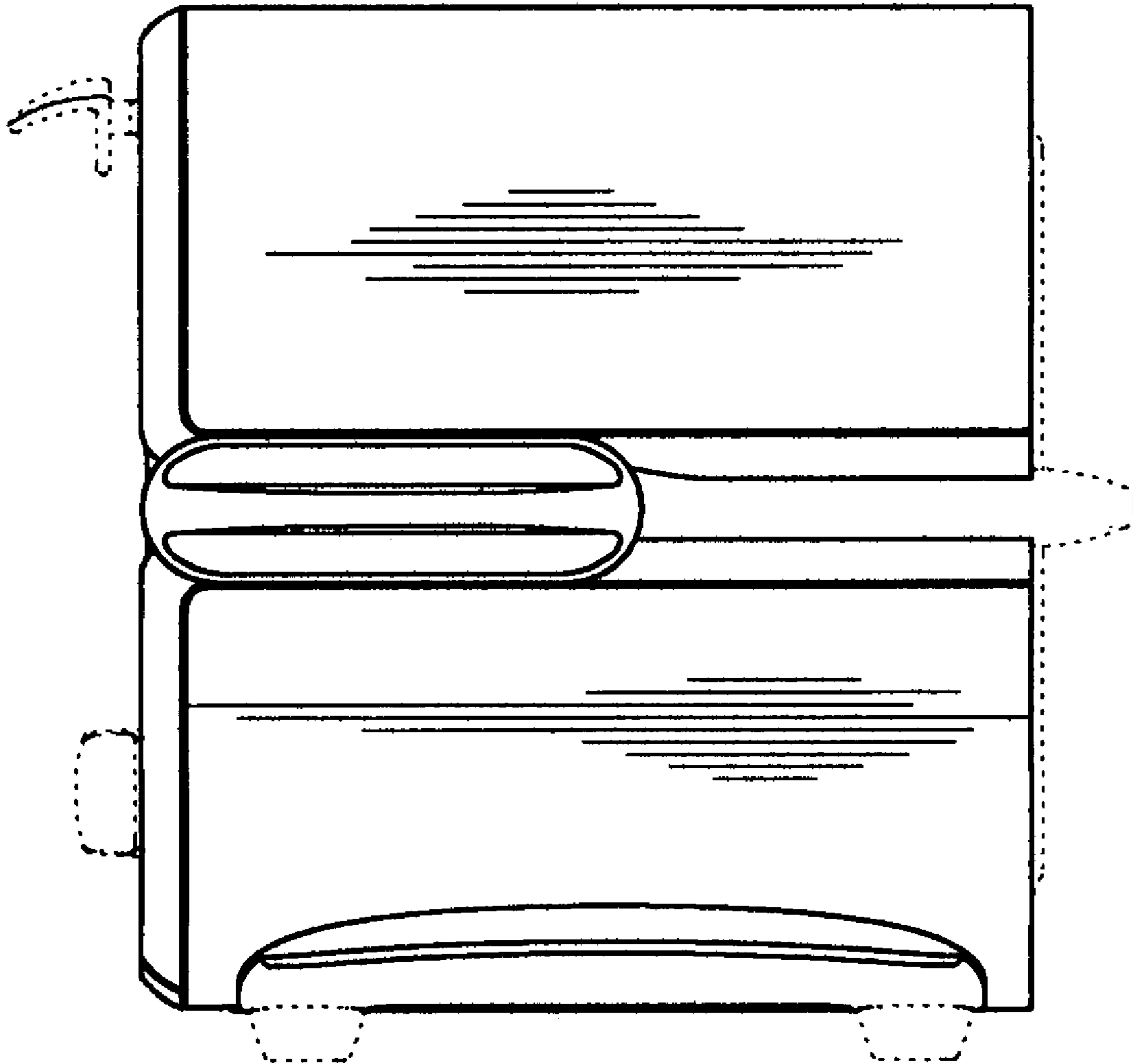


FIG 4

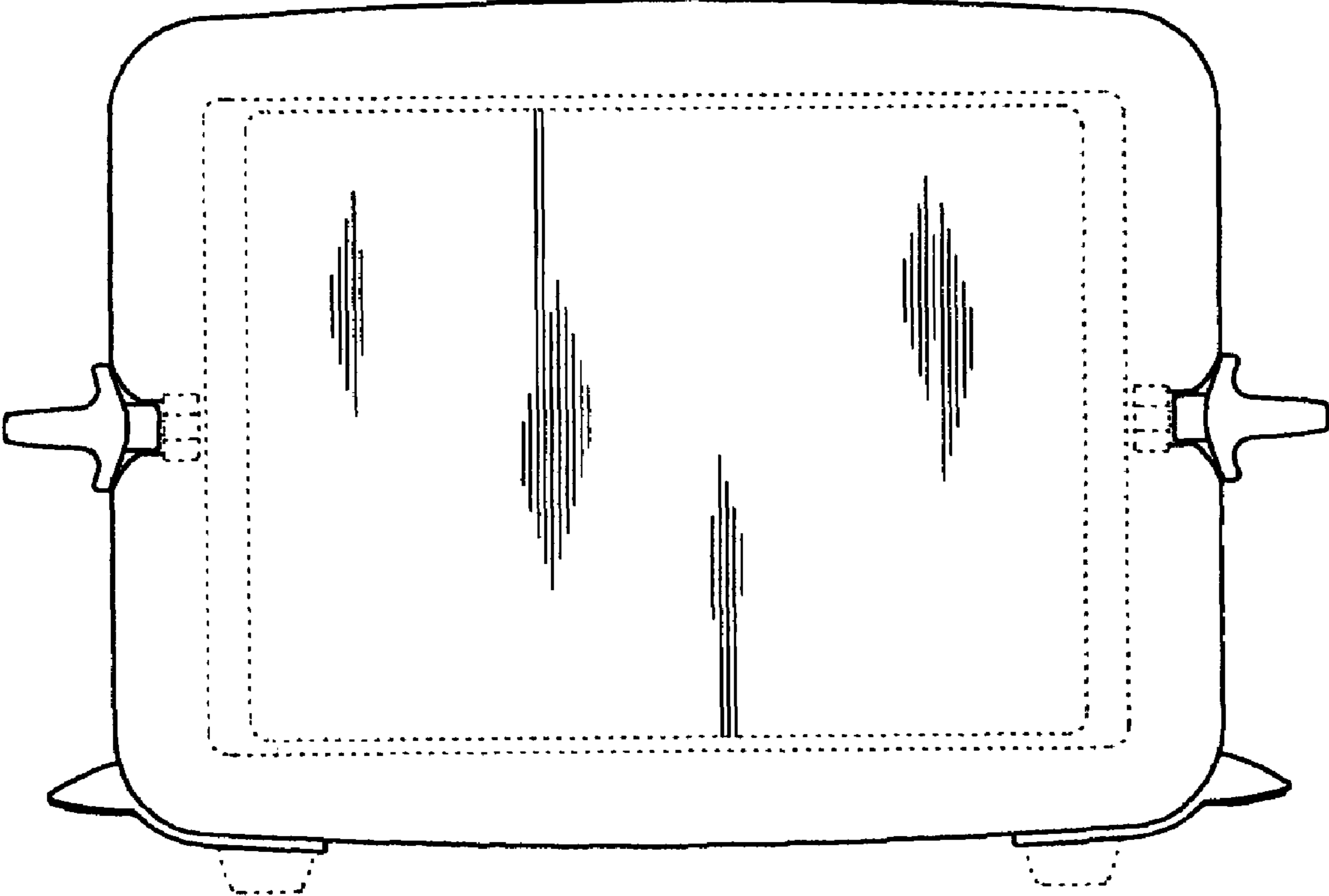


FIG 5

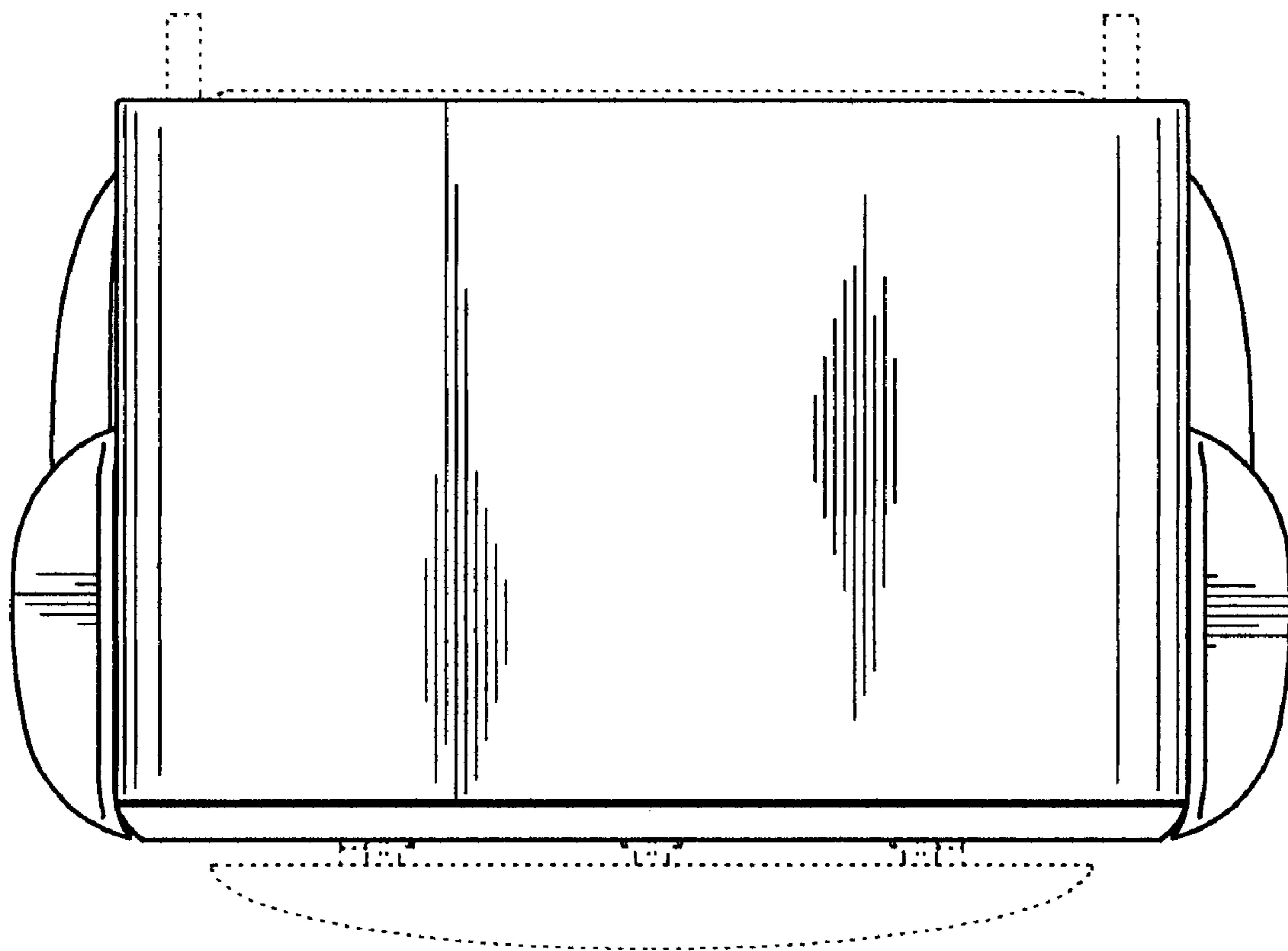


FIG 6