

US00D564283S

(12) **United States Design Patent**
Leung et al.

(10) **Patent No.:** **US D564,283 S**
(45) **Date of Patent:** **** Mar. 18, 2008**

(54) **TOASTER OVEN**

(75) Inventors: **Philip Leung**, Cambridge, MA (US);
Carl Betterley, Boston, MA (US); **Jen Linnane**, Melrose, MA (US); **Augusto Picozza**, Boca Raton, FL (US); **Tom Guyett**, Boynton Beach, FL (US)

(73) Assignee: **Sunbeam Products, Inc.**, Boca Raton, FL (US)

(**) Term: **14 Years**

(21) Appl. No.: **29/271,715**

(22) Filed: **Jan. 24, 2007**

(51) **LOC (8) Cl.** **07-02**

(52) **U.S. Cl.** **D7/350.1**

(58) **Field of Classification Search** D7/350.1,
D7/350.3-350.4, 351, 402, 405, 339-340,
D7/348-349; 126/19 M, 21 R, 275 E, 273 A;
219/756-758

See application file for complete search history.

(56) **References Cited**

U.S. PATENT DOCUMENTS

- D481,582 S * 11/2003 Seum et al. D7/350.1
- D489,934 S * 5/2004 Sagawa et al. D7/351
- D522,800 S * 6/2006 Lee et al. D7/351
- D525,075 S * 7/2006 Jeon D7/350.1

- D525,477 S * 7/2006 Kim D7/351
- D527,572 S * 9/2006 Lee et al. D7/350.1
- D530,561 S * 10/2006 Kim D7/351
- D539,073 S * 3/2007 Kanza D7/351
- D540,106 S * 4/2007 Jeon D7/351
- D540,613 S * 4/2007 Jeon D7/350.1
- D541,578 S * 5/2007 Jeon D7/350.1

* cited by examiner

Primary Examiner—Ruth McInroy

(74) *Attorney, Agent, or Firm*—Lawrence J. Shurupoff

(57) **CLAIM**

The ornamental design for a toaster oven, as shown and described.

DESCRIPTION

FIG. 1 is a front right top perspective view of the toaster oven showing the new design;

FIG. 2 is a left side plan view thereof;

FIG. 3 is a front plan view thereof;

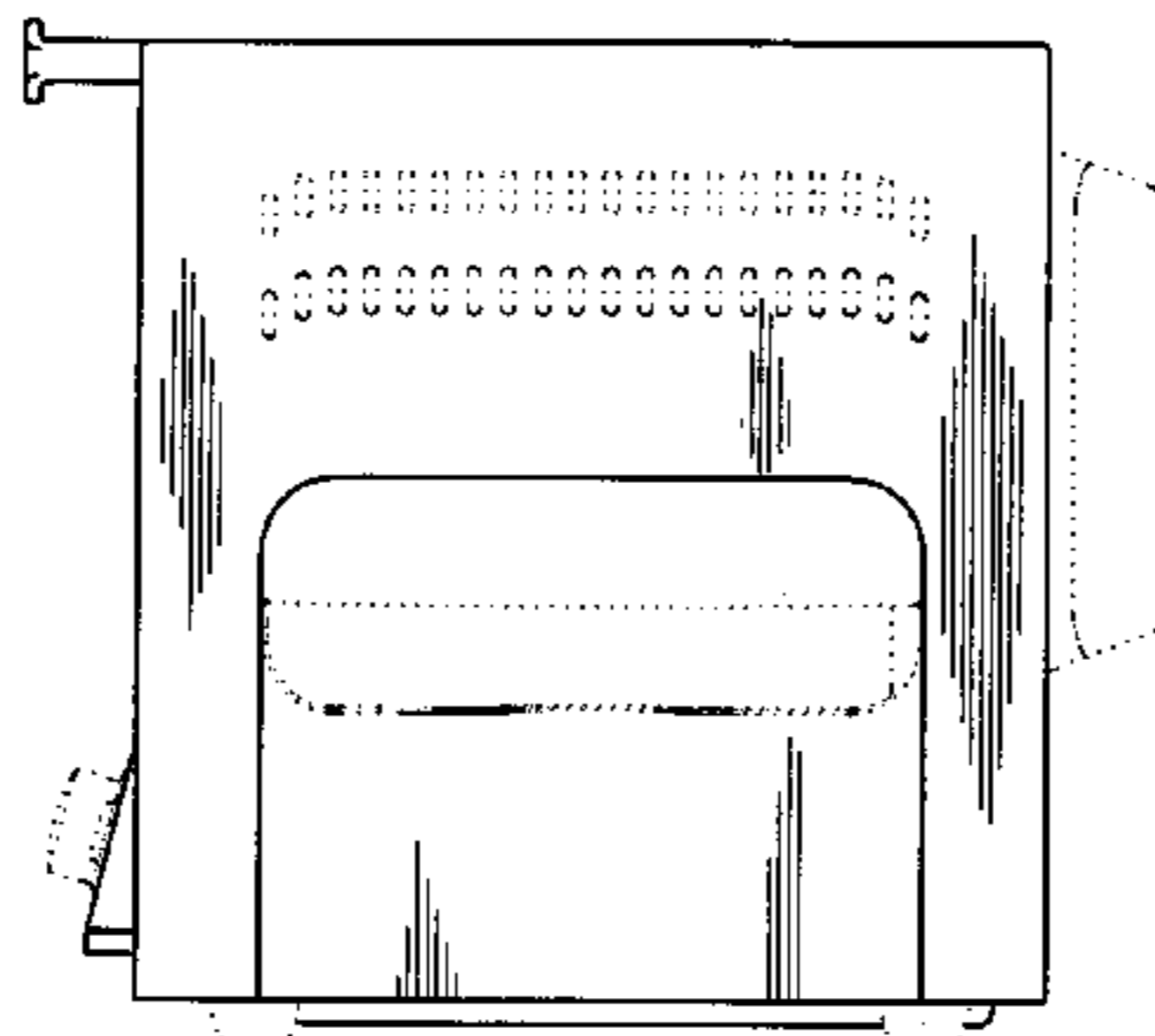
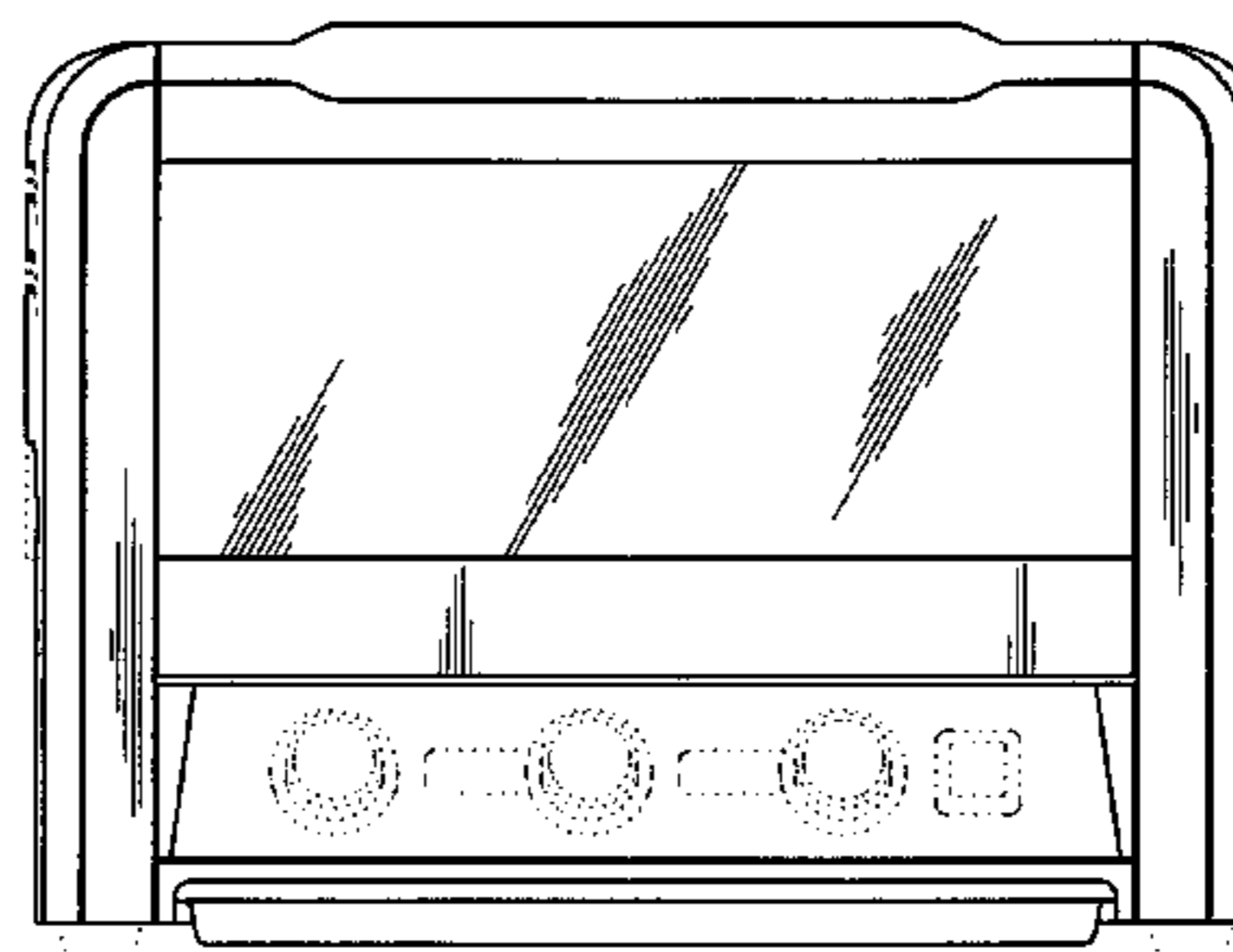
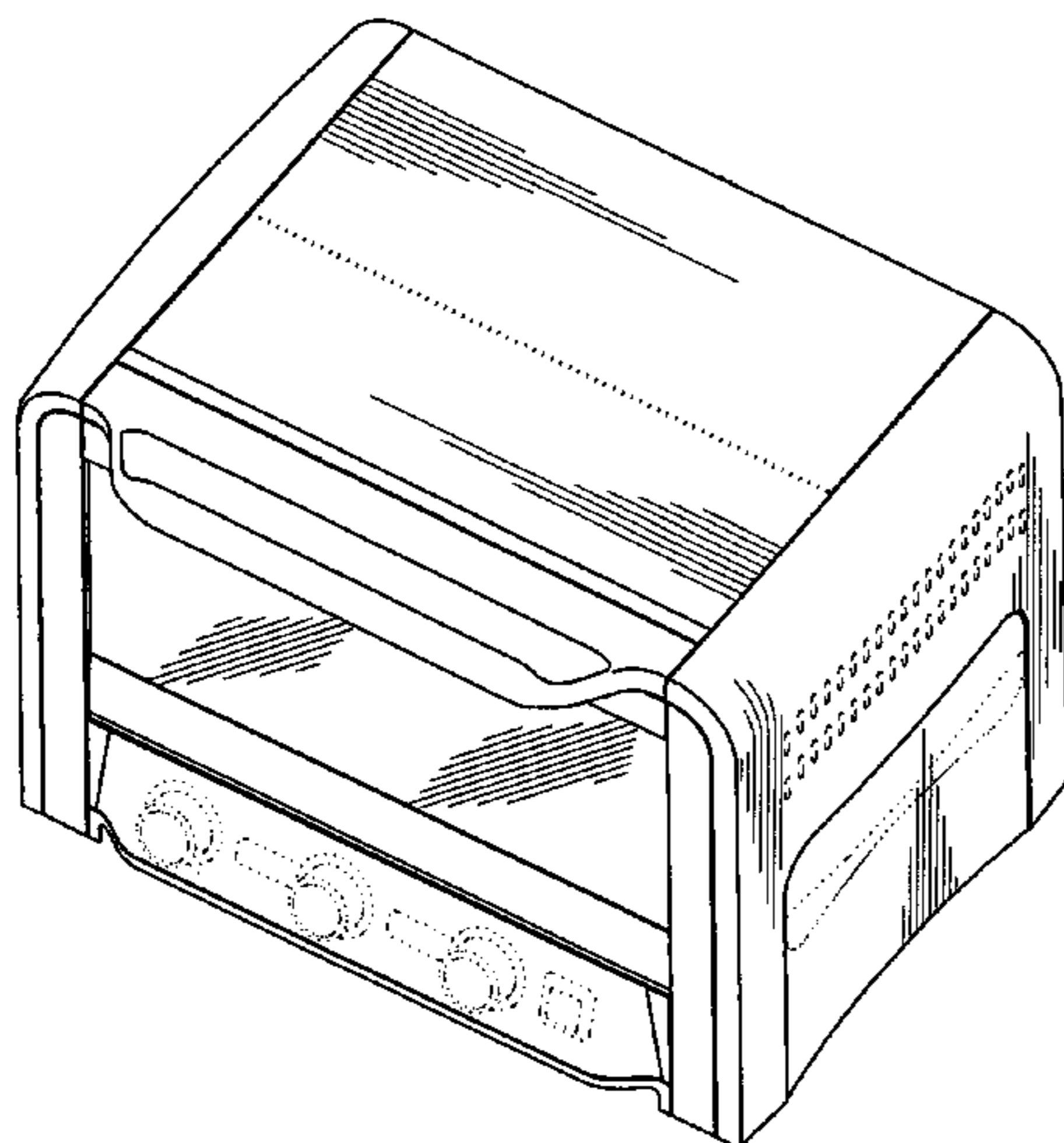
FIG. 4 is a right side plan view thereof;

FIG. 5 is a back plan view thereof; and,

FIG. 6 is a top elevational view thereof.

The details shown in broken lines form no part of the claimed design.

1 Claim, 6 Drawing Sheets



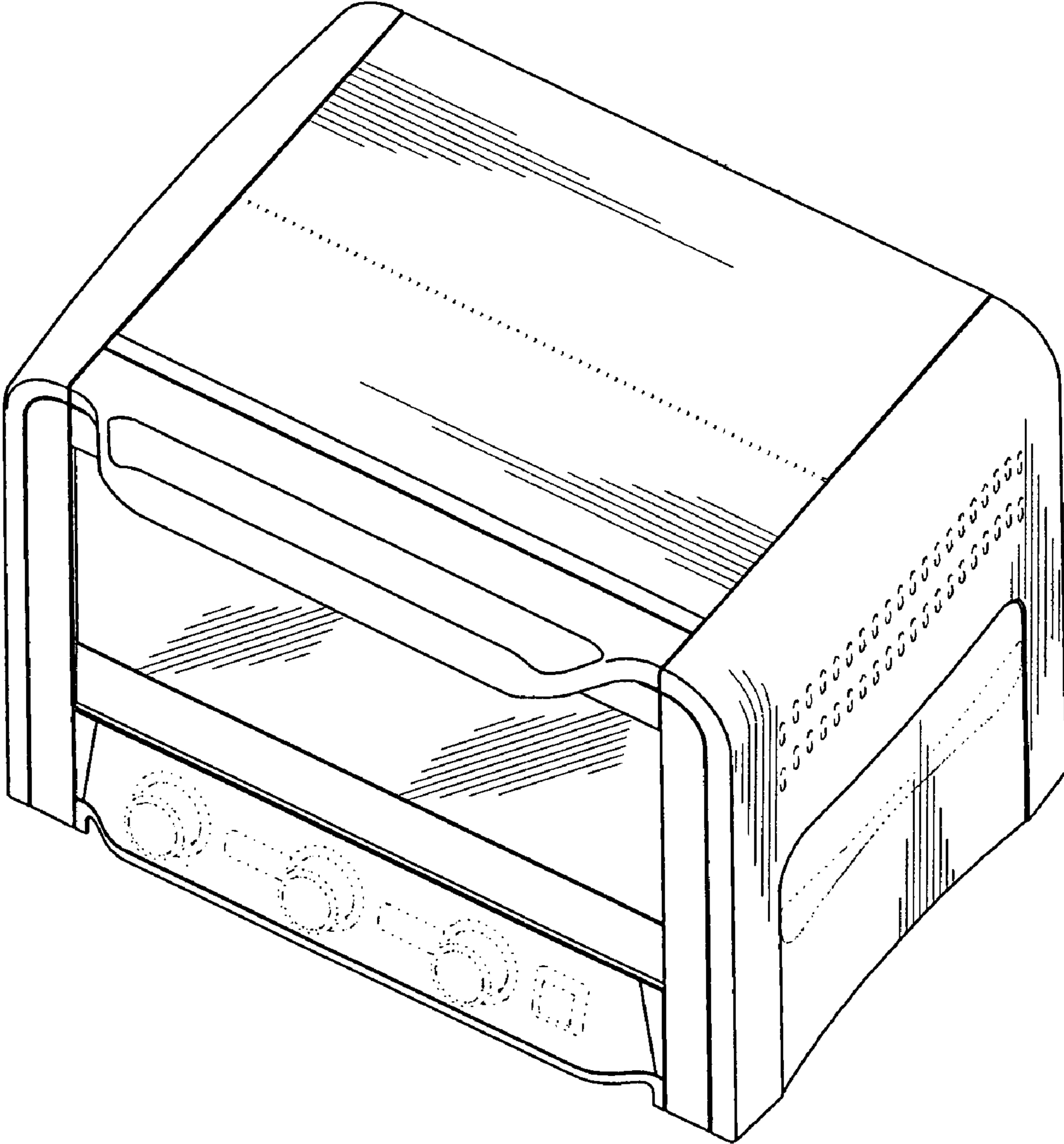


FIG 1

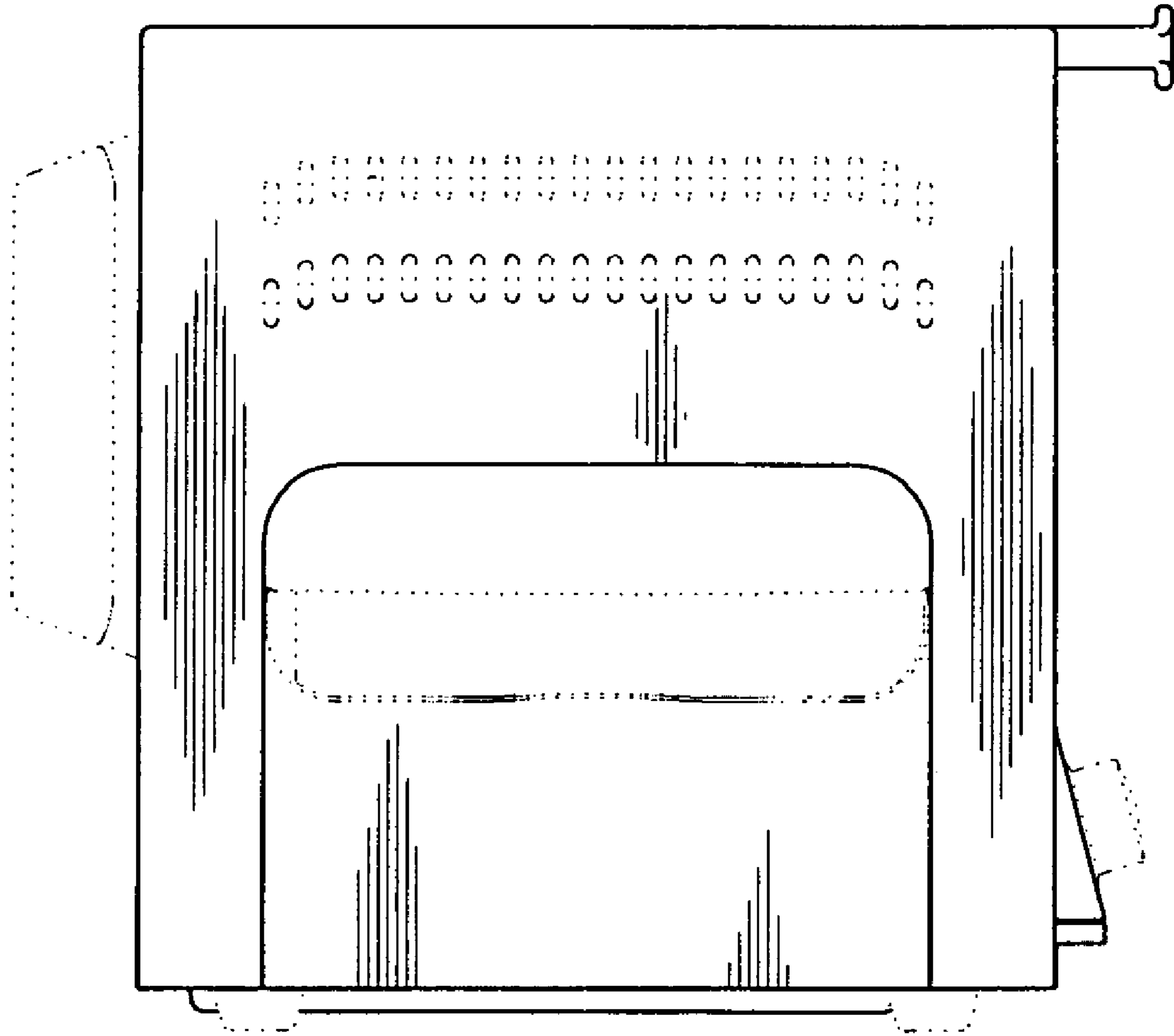


FIG 2

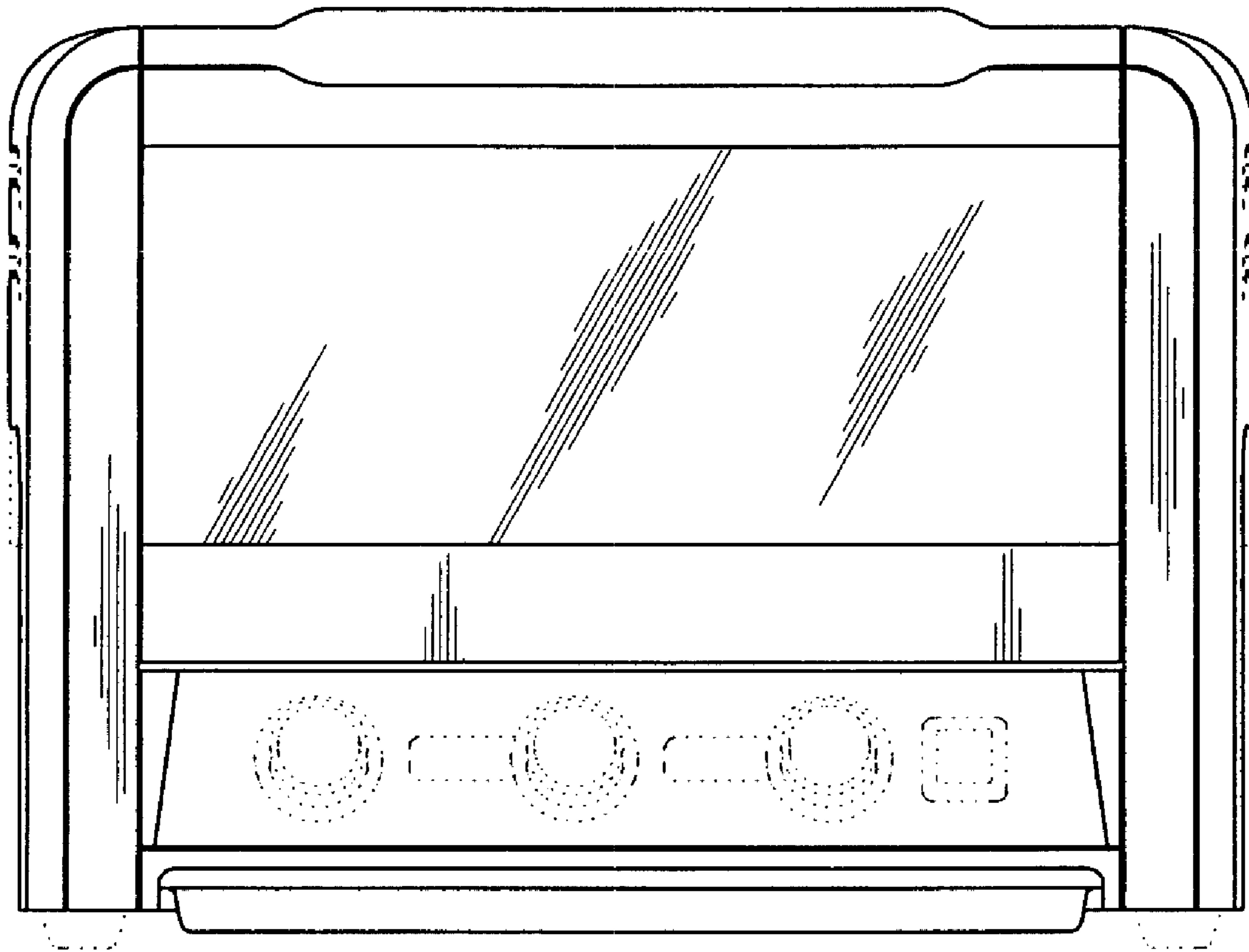


FIG 3

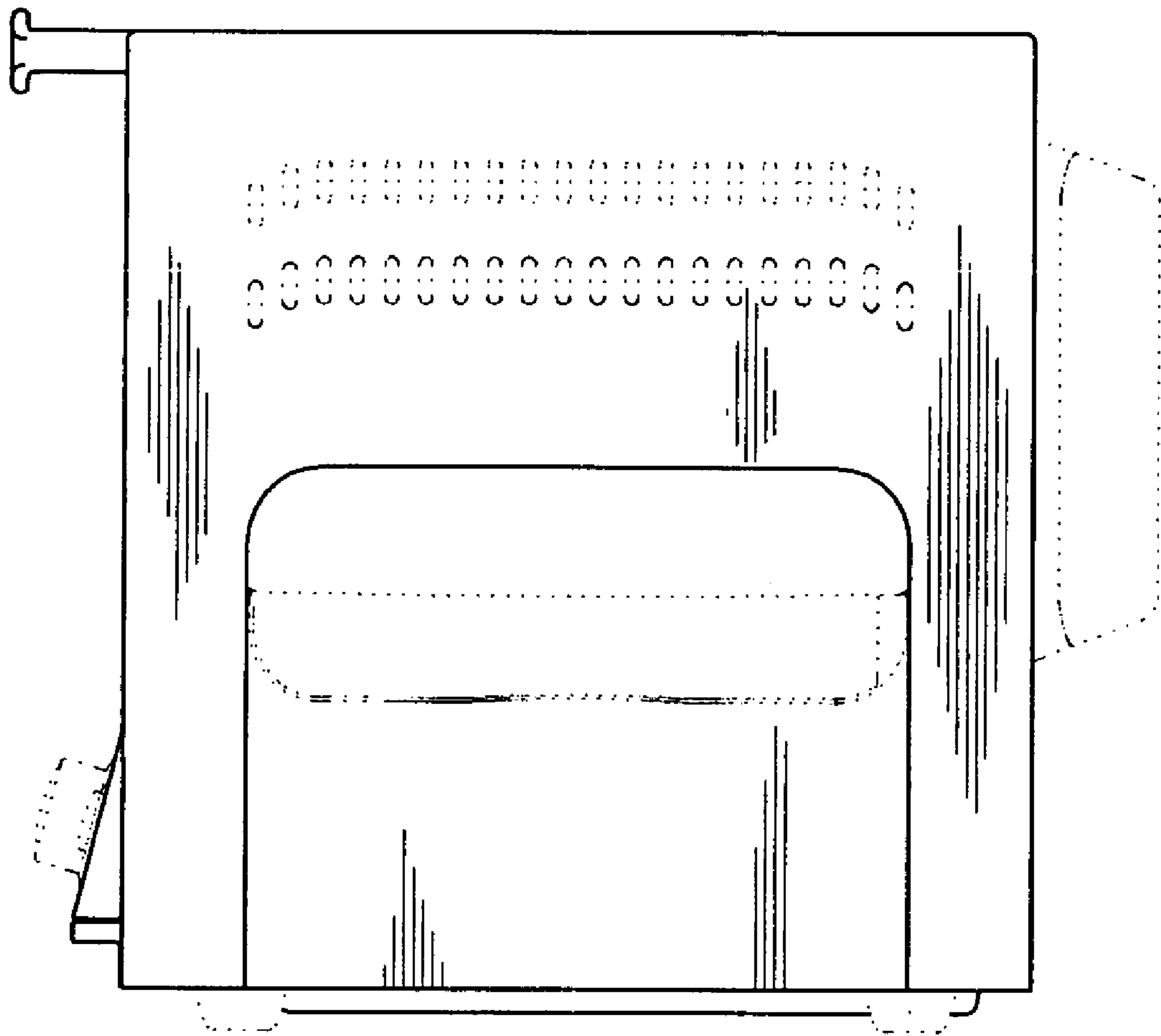


FIG 4

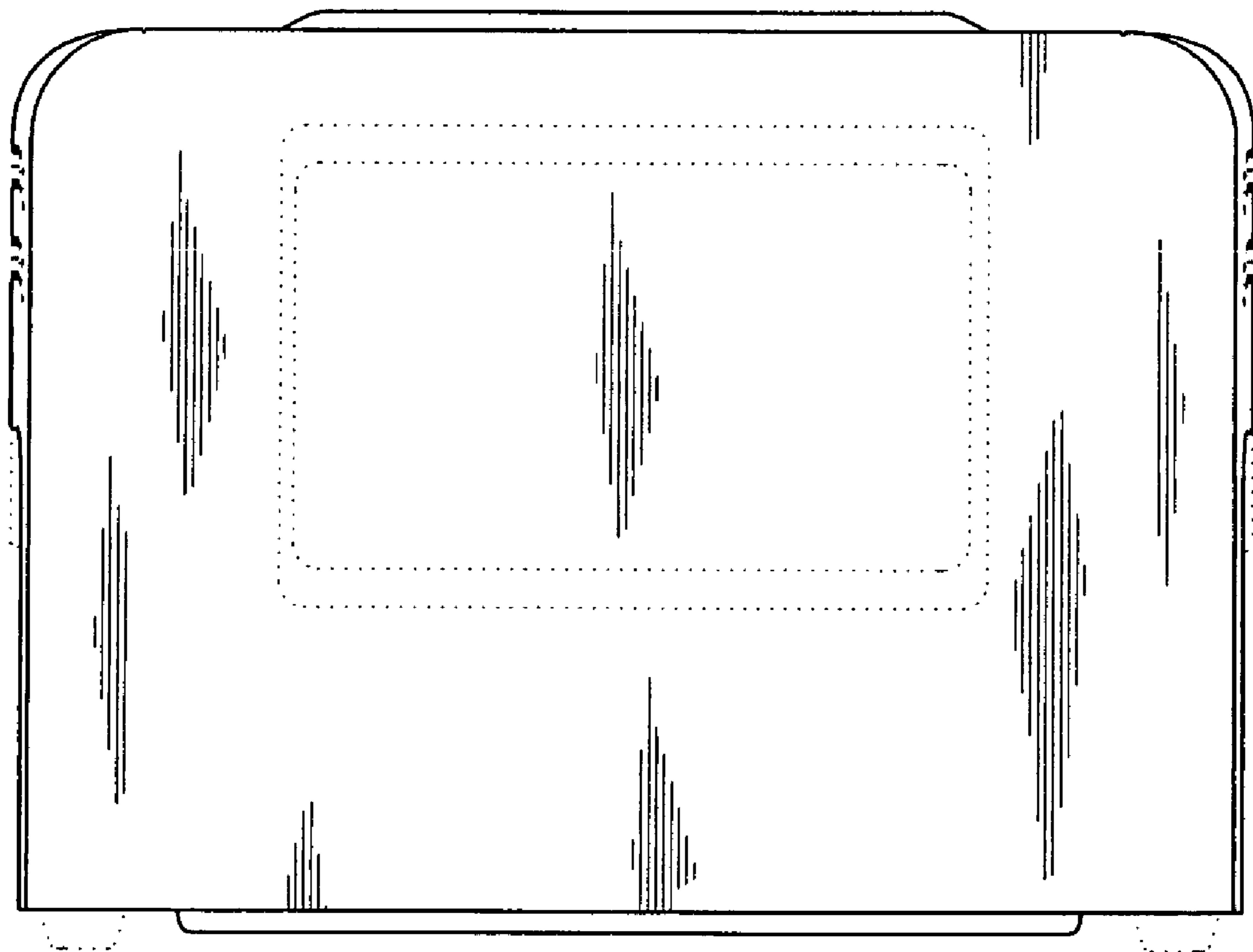


FIG 5

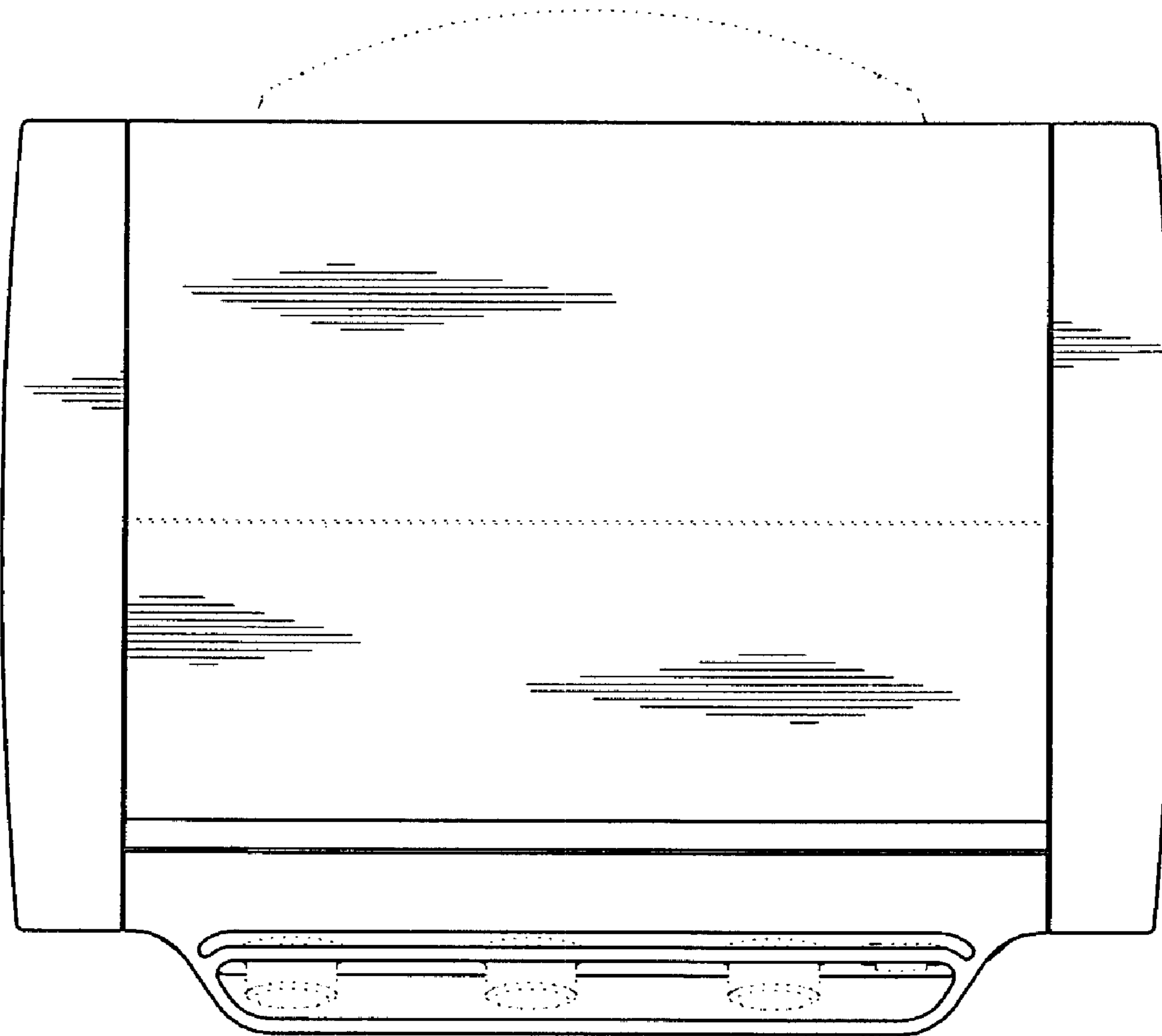


FIG 6