



US00D564281S

(12) **United States Design Patent**  
**Kim**

(10) **Patent No.:** **US D564,281 S**

(45) **Date of Patent:** **\*\* Mar. 18, 2008**

(54) **OVEN**

D511,926 S \* 11/2005 Baldwin ..... D7/340  
D530,972 S \* 10/2006 Park ..... D7/340

(75) Inventor: **Kang Doo Kim**, Seoul (KR)

\* cited by examiner

(73) Assignee: **Samsung Electronics Co., Ltd.**, Suwon (KR)

*Primary Examiner*—Catherine R. Oliver

(74) *Attorney, Agent, or Firm*—Ladas and Parry LLP

(\*\*) Term: **14 Years**

(57) **CLAIM**

(21) Appl. No.: **29/289,572**

I claim the ornamental design for oven, as shown.

(22) Filed: **Jul. 25, 2007**

**DESCRIPTION**

(51) **LOC (8) Cl.** ..... **07-02**

(52) **U.S. Cl.** ..... **D7/340**

(58) **Field of Classification Search** ..... D7/340,  
D7/323, 339–341, 346–349; 126/19 R, 39 B,  
126/211, 214 R, 39 C, 39 R, 273 R; 219/391,  
219/392, 458, 460, 464, 538, 552  
See application file for complete search history.

FIG. 1 is a front/left-side/top perspective view of a oven showing my new design;

FIG. 2 is a front elevational view thereof;

FIG. 3 is a rear elevational view thereof;

FIG. 4 is a left-side elevational view thereof;

FIG. 5 is a right-side elevational view thereof;

FIG. 6 is a top-plan view thereof; and,

FIG. 7 is a bottom-plan view thereof.

(56) **References Cited**

**U.S. PATENT DOCUMENTS**

D375,867 S \* 11/1996 Sparks ..... D7/340

**1 Claim, 6 Drawing Sheets**

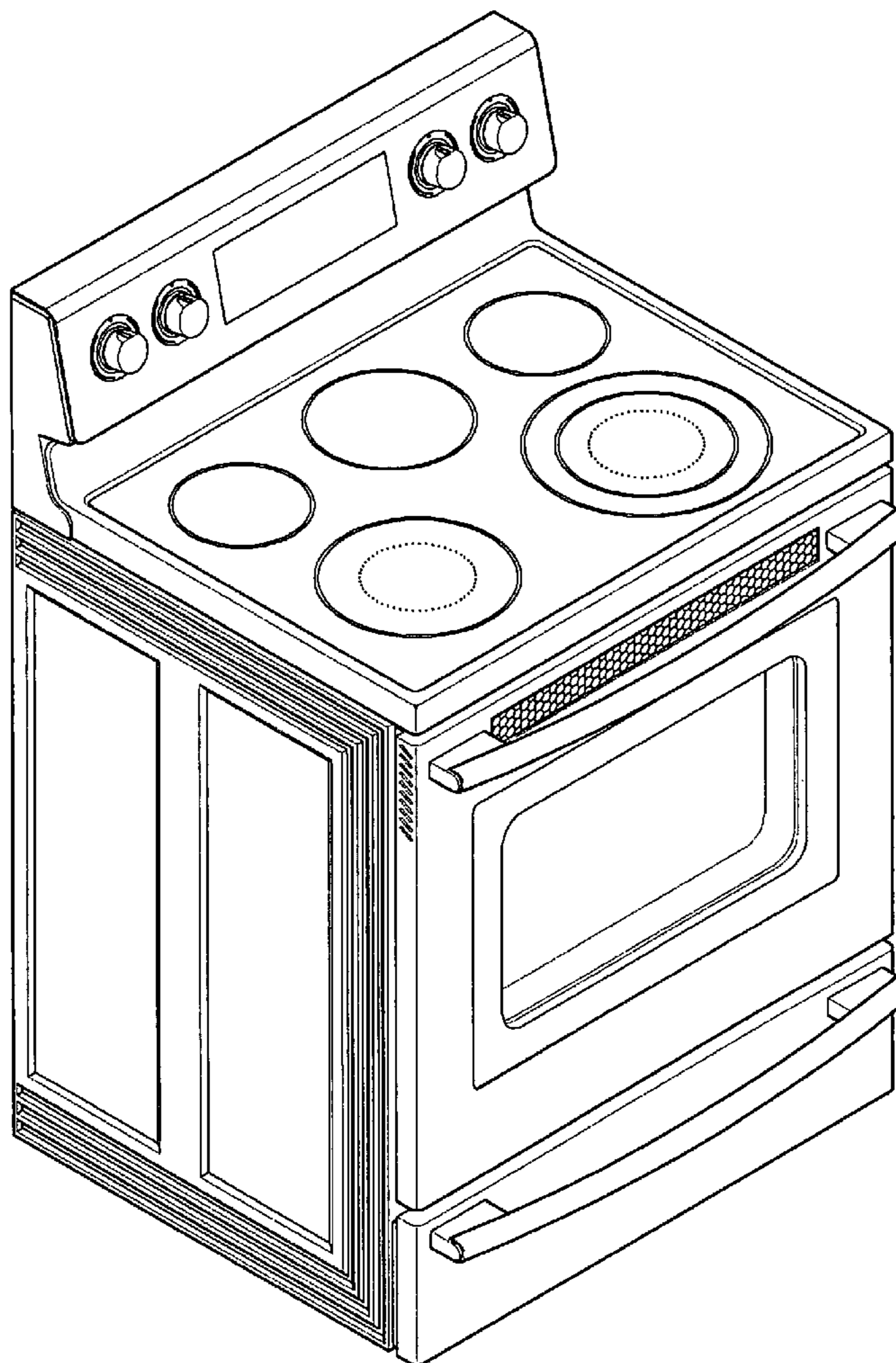


FIG. 1

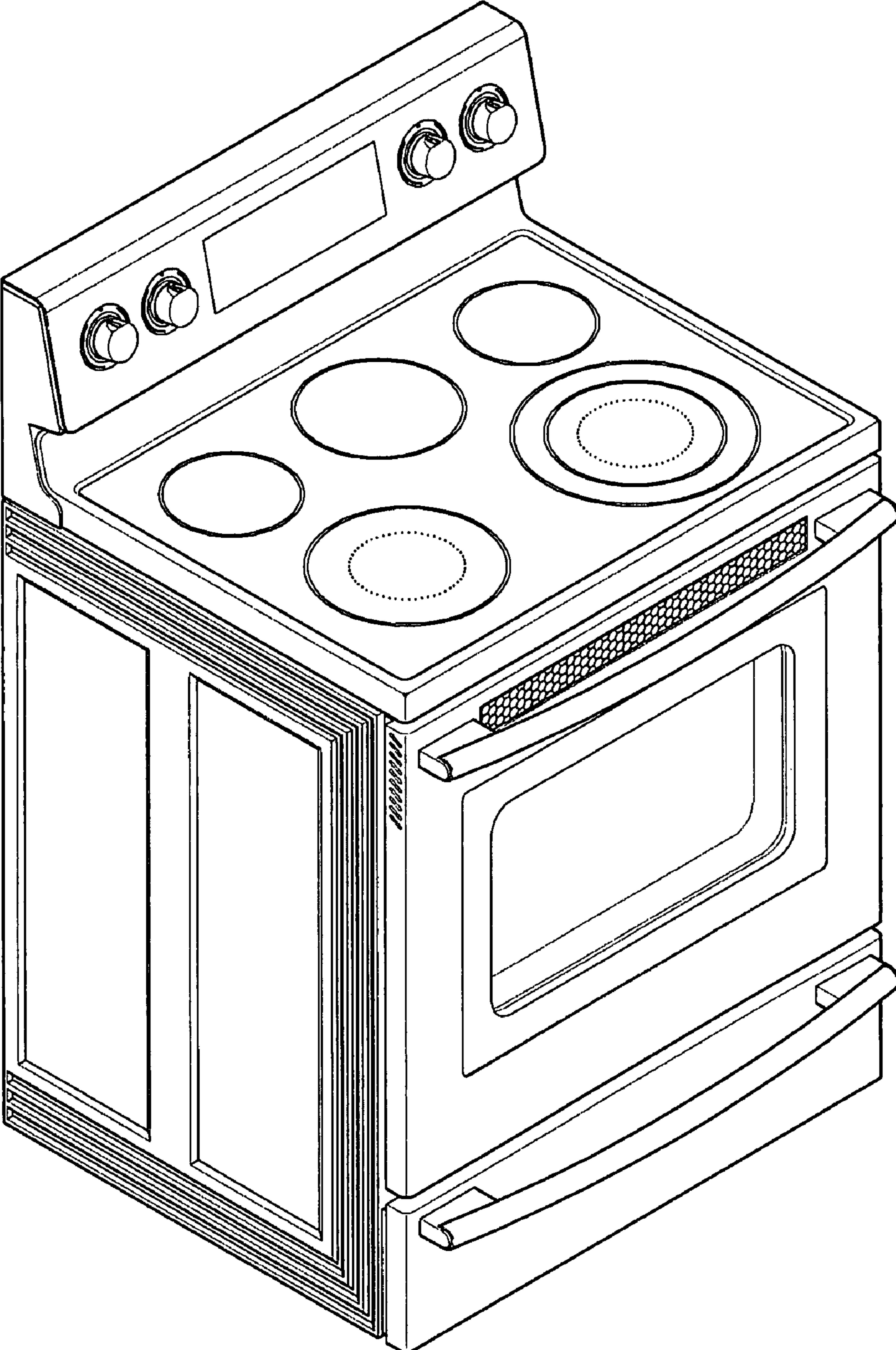
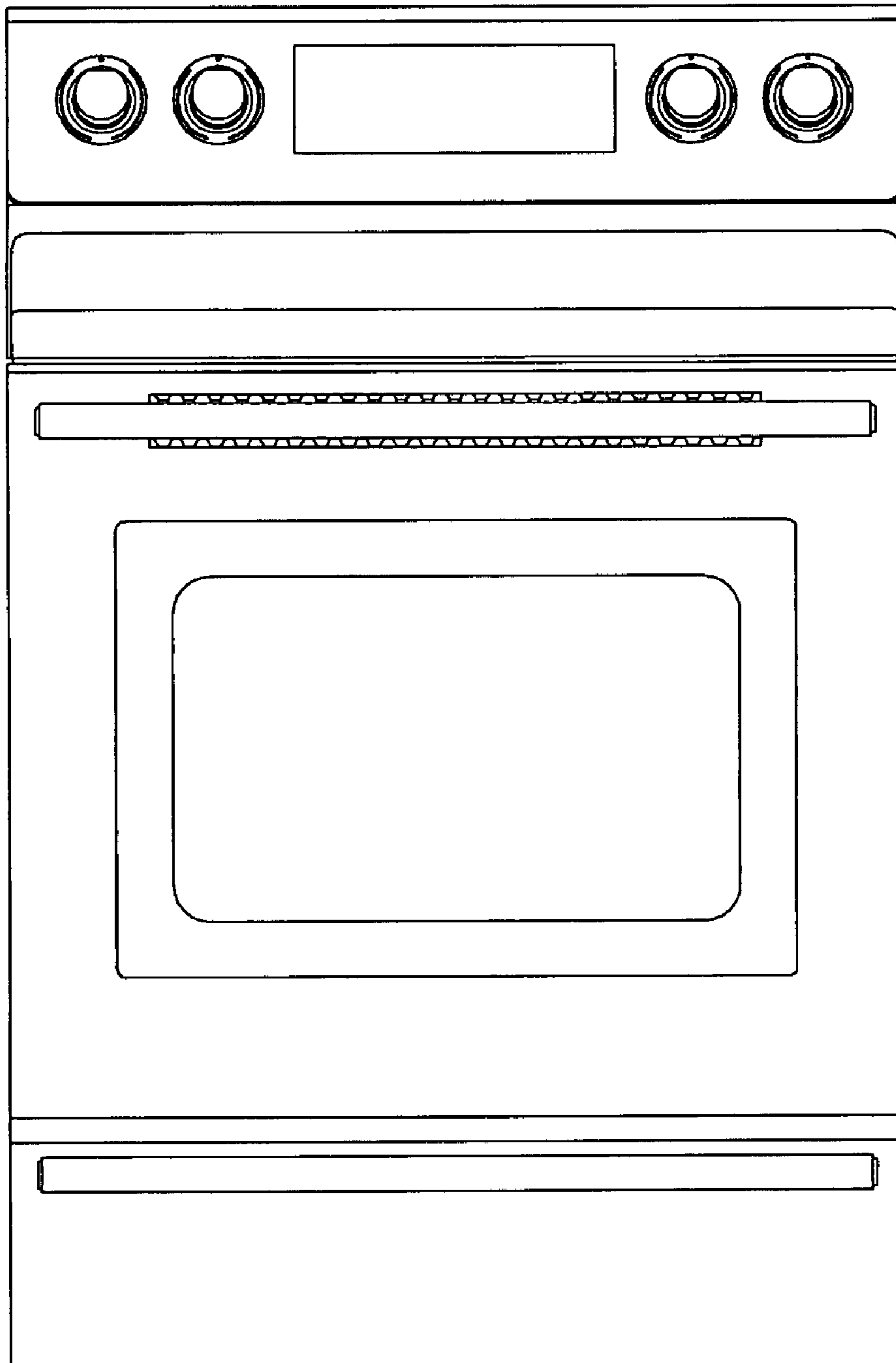


FIG. 2



**FIG. 3**

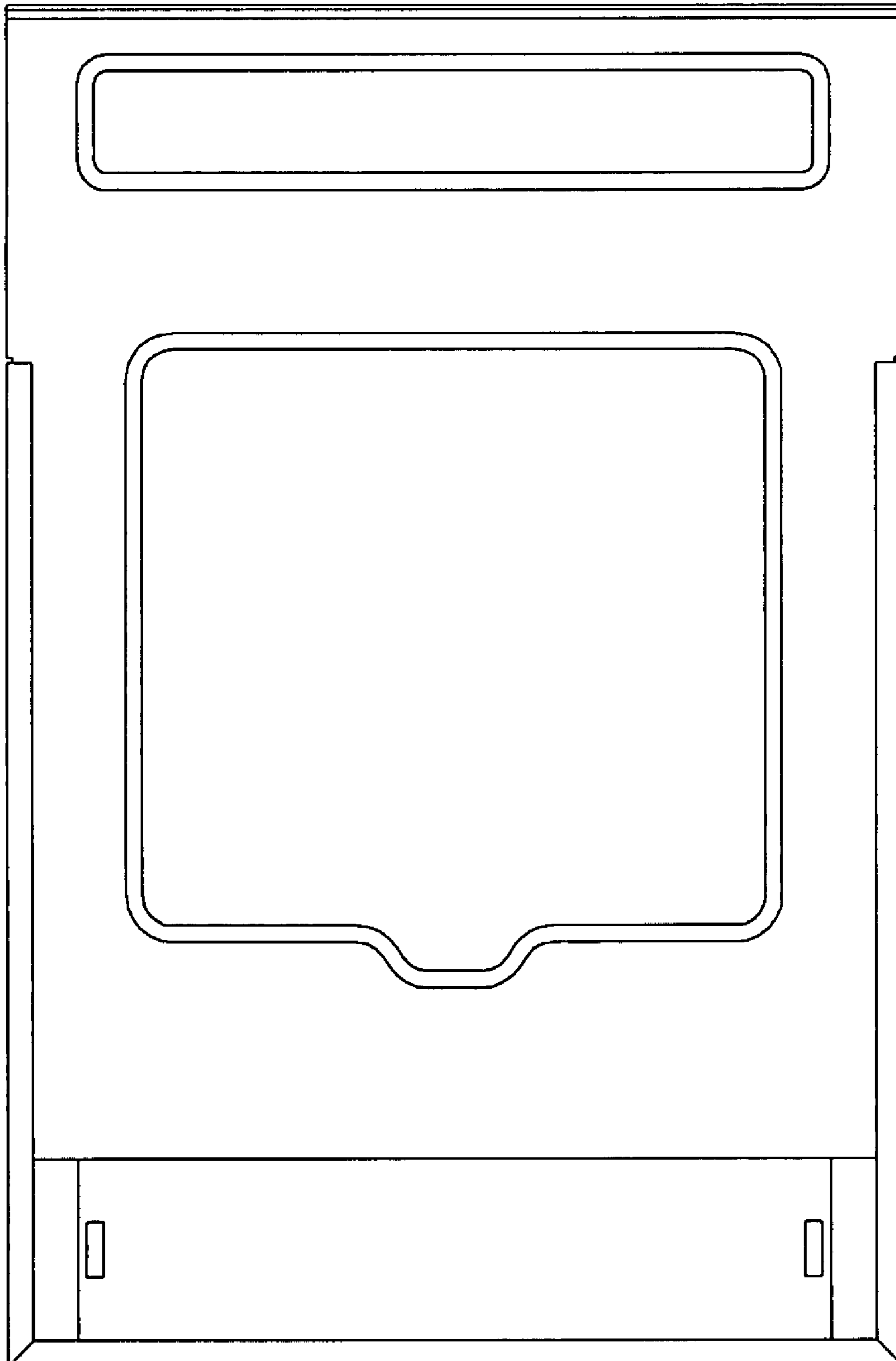


FIG. 4

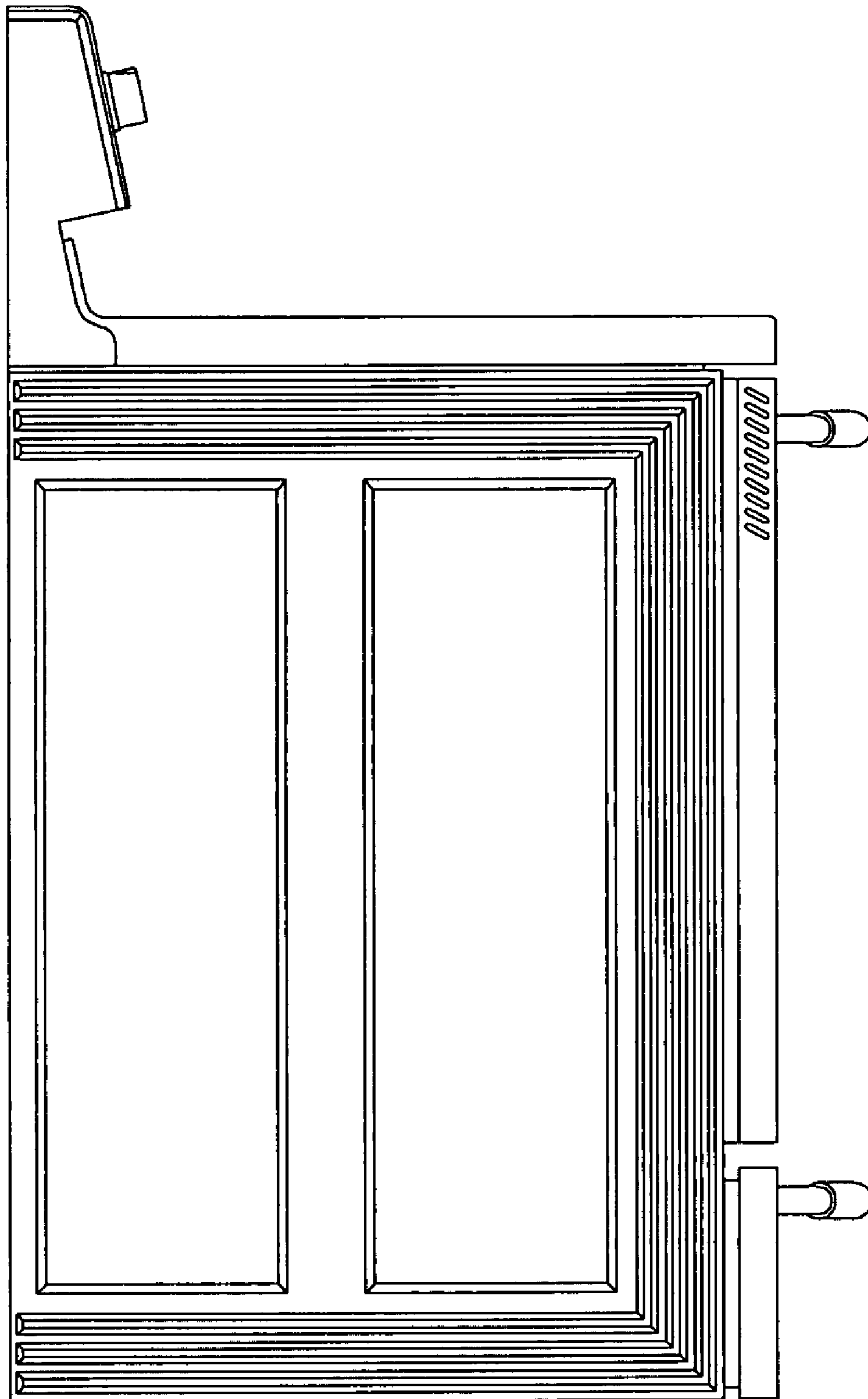


FIG. 5

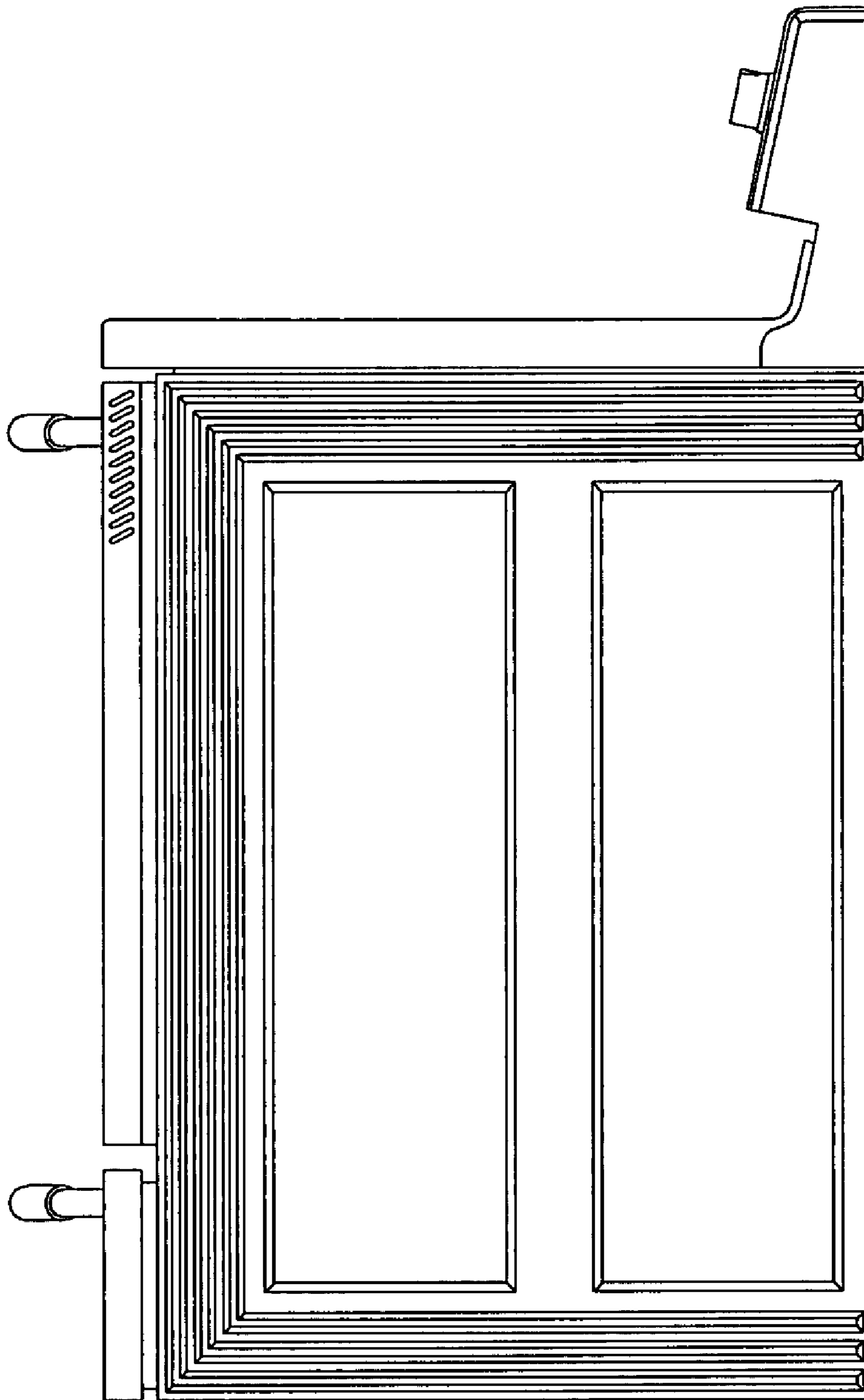


FIG. 6

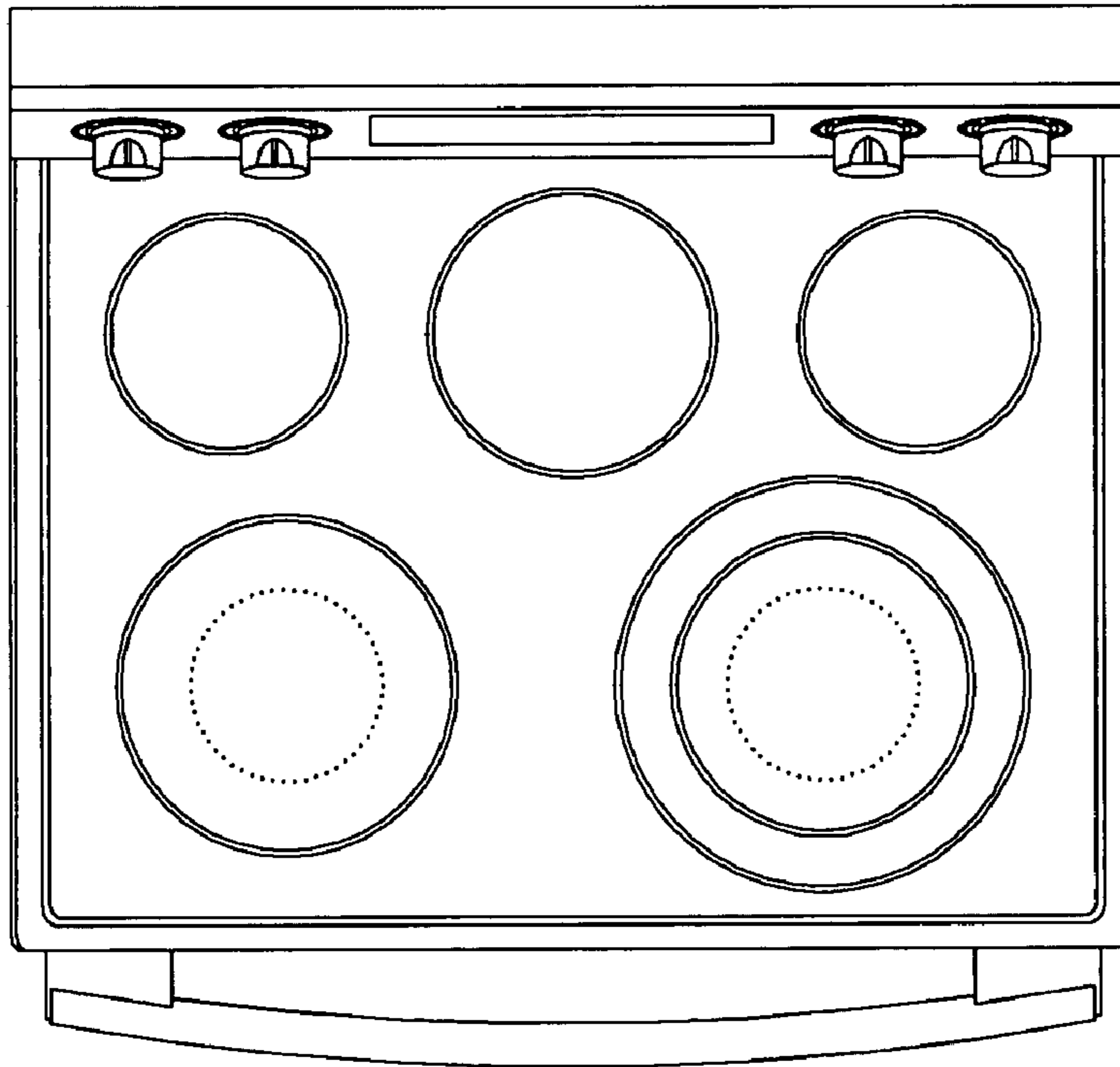


FIG. 7

