

US00D564272S

(12) **United States Design Patent**
Quach

(10) **Patent No.:** **US D564,272 S**
(45) **Date of Patent:** **** Mar. 18, 2008**

(54) **TOOTHBRUSH AND RAZOR HOLDER**

D547,582 S * 7/2007 Lukan D6/526

(76) Inventor: **Trung Quach**, 520 - 15th Ave. East,
Seattle, WA (US) 98112

* cited by examiner

(**) Term: **14 Years**

Primary Examiner—Brian N Vinson
(74) *Attorney, Agent, or Firm*—Dean A. Craine

(21) Appl. No.: **29/285,047**

(57) **CLAIM**

(22) Filed: **Mar. 19, 2007**

The ornamental design for a toothbrush and razor holder, as shown and described.

(51) **LOC (8) Cl.** **28-03**

(52) **U.S. Cl.** **D6/526; D6/528**

(58) **Field of Classification Search** D6/524–528,
D6/534, 540, 553, 567; D8/373; 206/228,
206/208, 209, 209.1, 361, 362.1, 362.2, 362.3;
211/13.1, 70.6, 87.01, 89.01; 248/200, 205.5,
248/309.1, 314

See application file for complete search history.

DESCRIPTION

FIG. 1 is a perspective view of the toothbrush and razor holder.

FIG. 2 is a top plan view of the invention.

FIG. 3 is a front elevational view of the invention.

FIG. 4 is a bottom plan view of the invention.

FIG. 5 is a back elevational view of the invention.

FIG. 6 is a right side view of the invention; and,

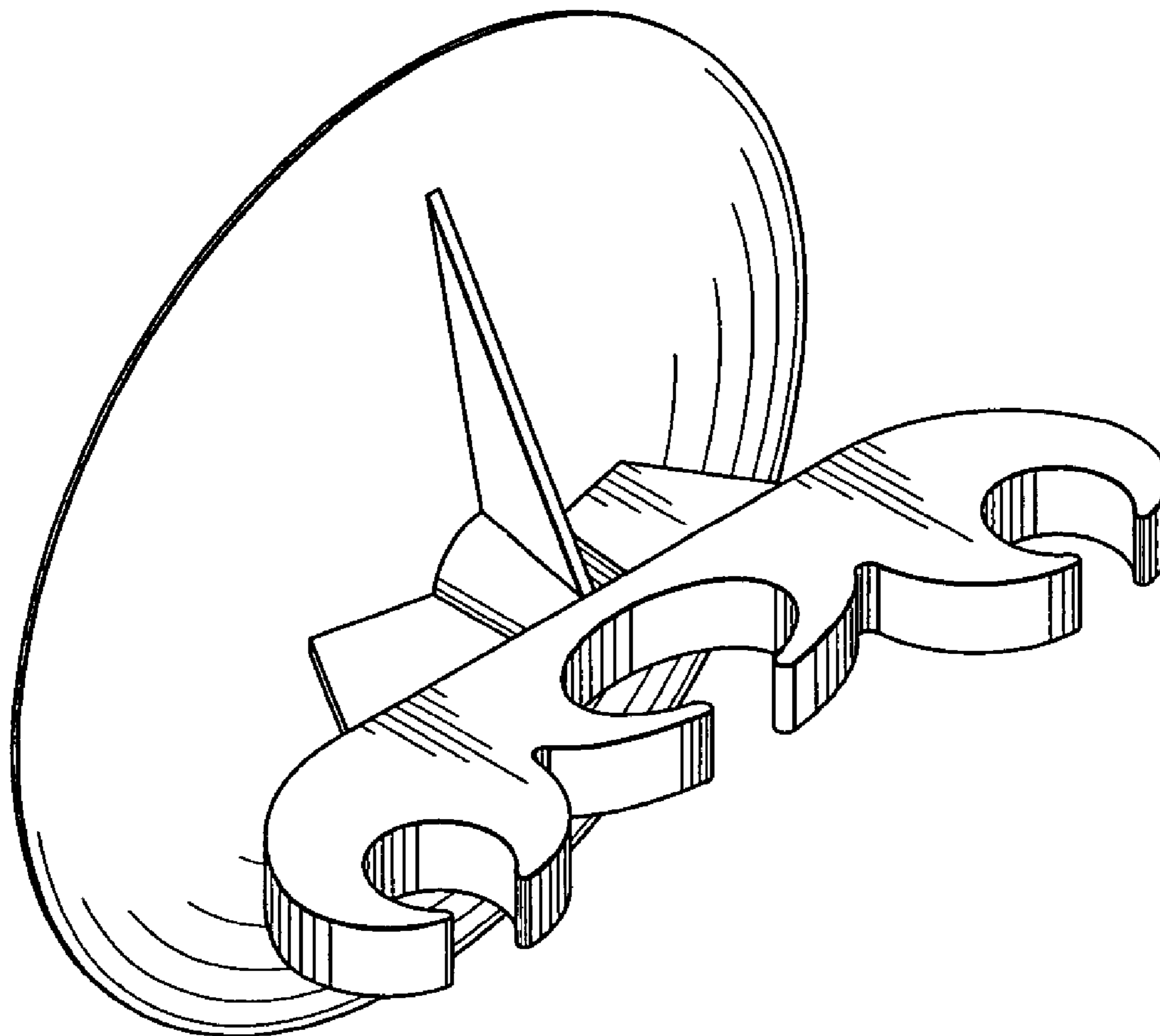
FIG. 7 is a left side view of the invention.

(56) **References Cited**

U.S. PATENT DOCUMENTS

D480,245 S * 10/2003 Johansson et al. D6/528
6,776,296 B2 * 8/2004 Herren 211/87.01
D544,737 S * 6/2007 Nagoya D6/526

1 Claim, 2 Drawing Sheets



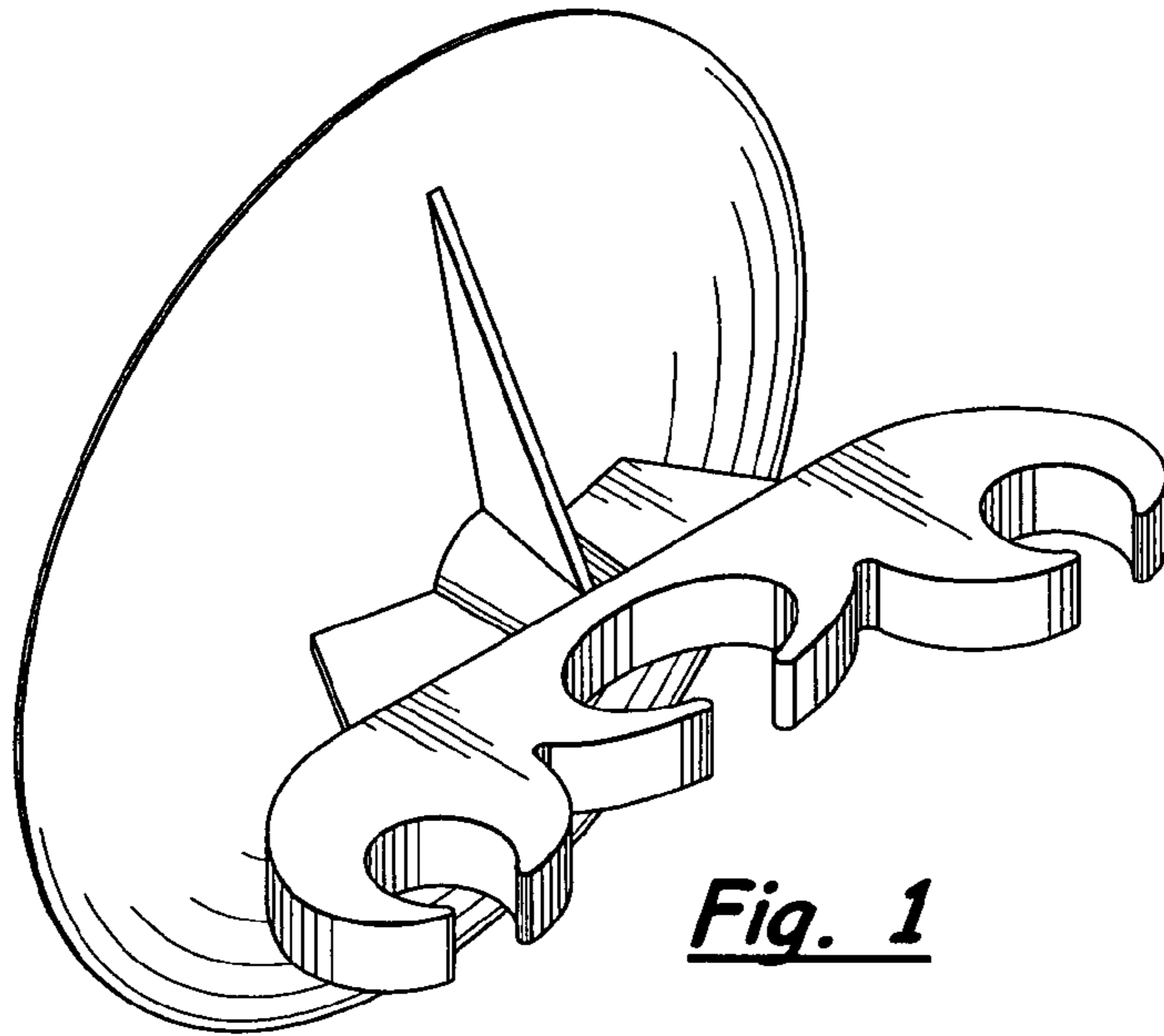


Fig. 1

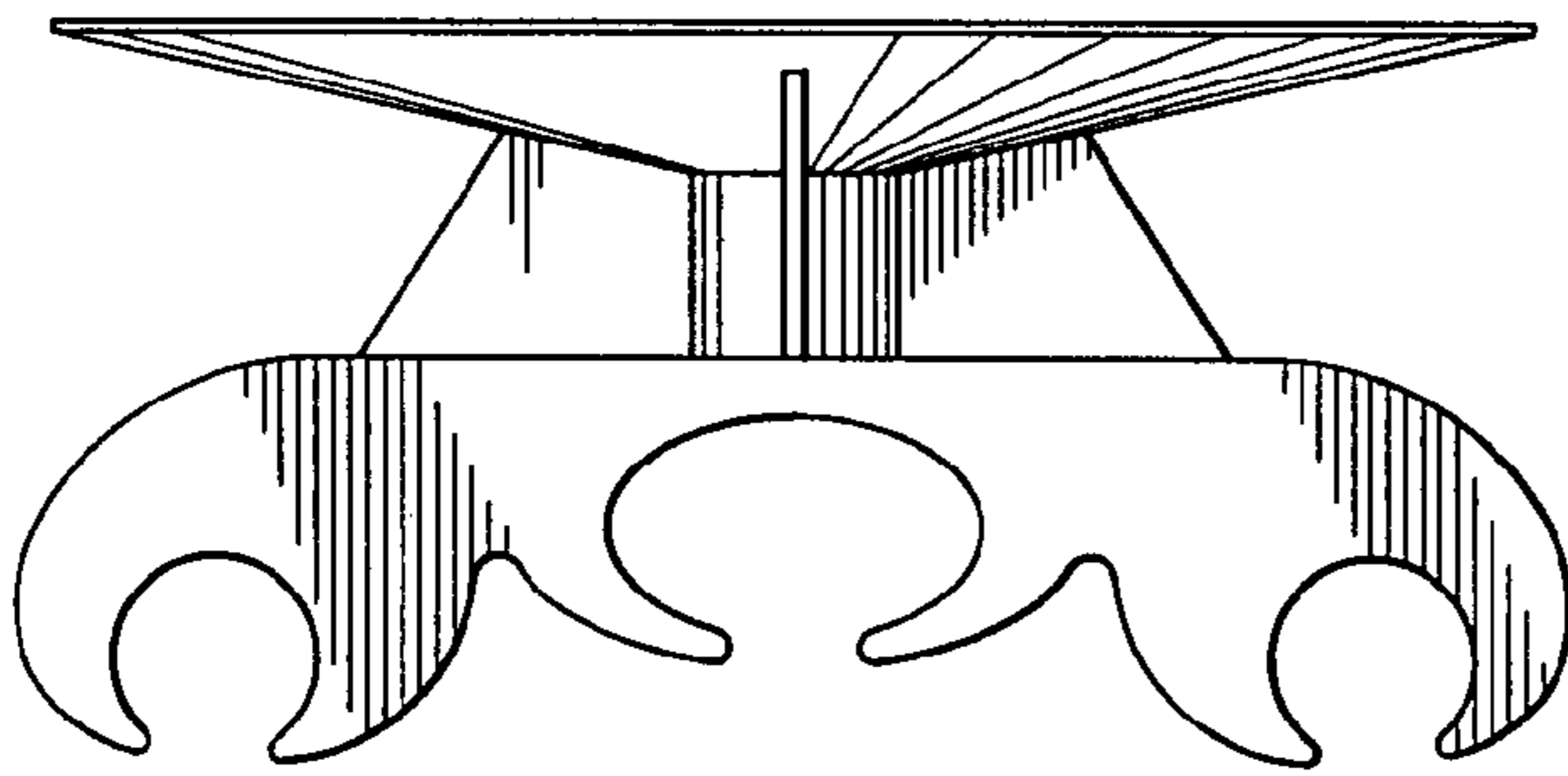


Fig. 2

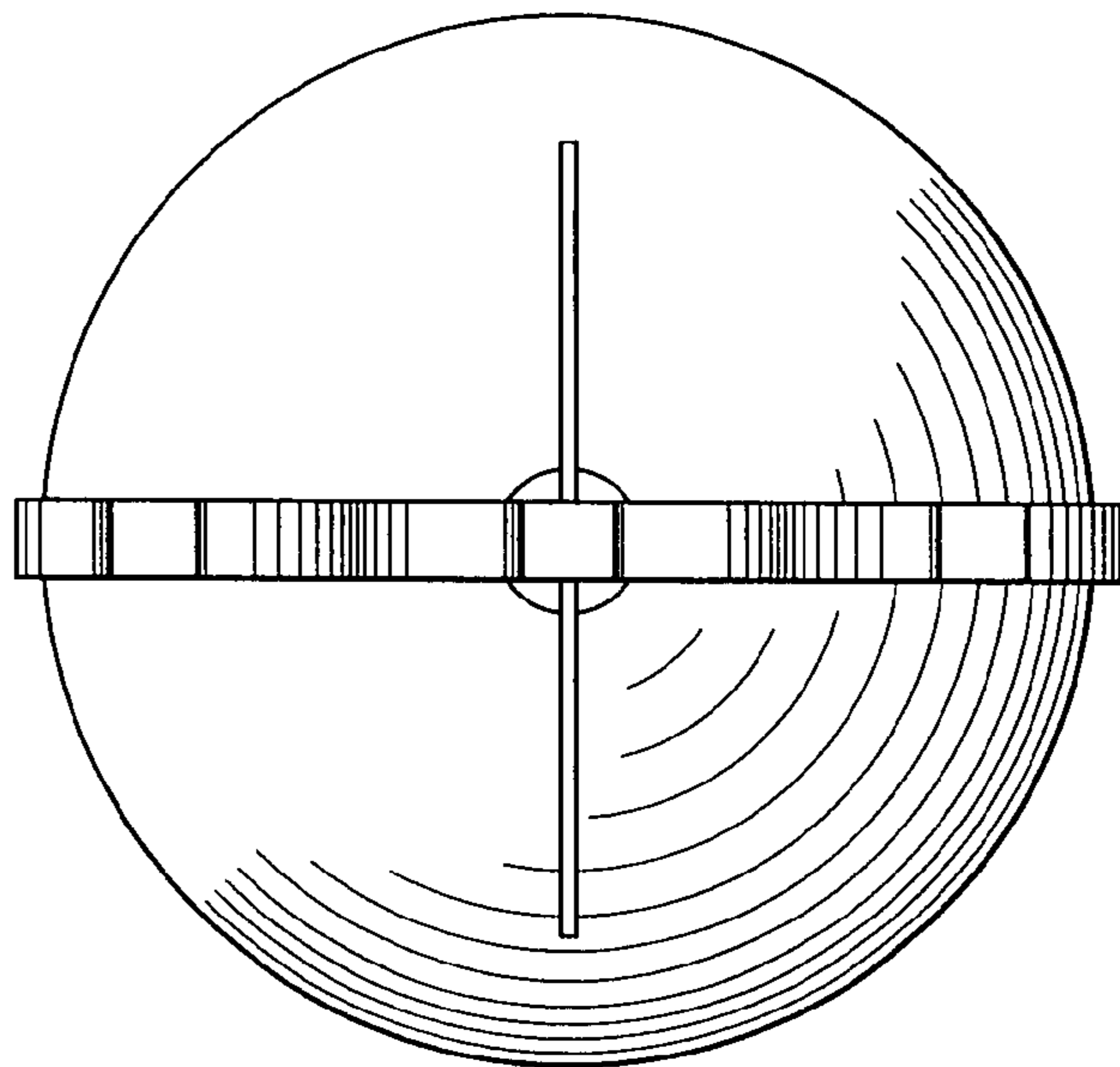


Fig. 3

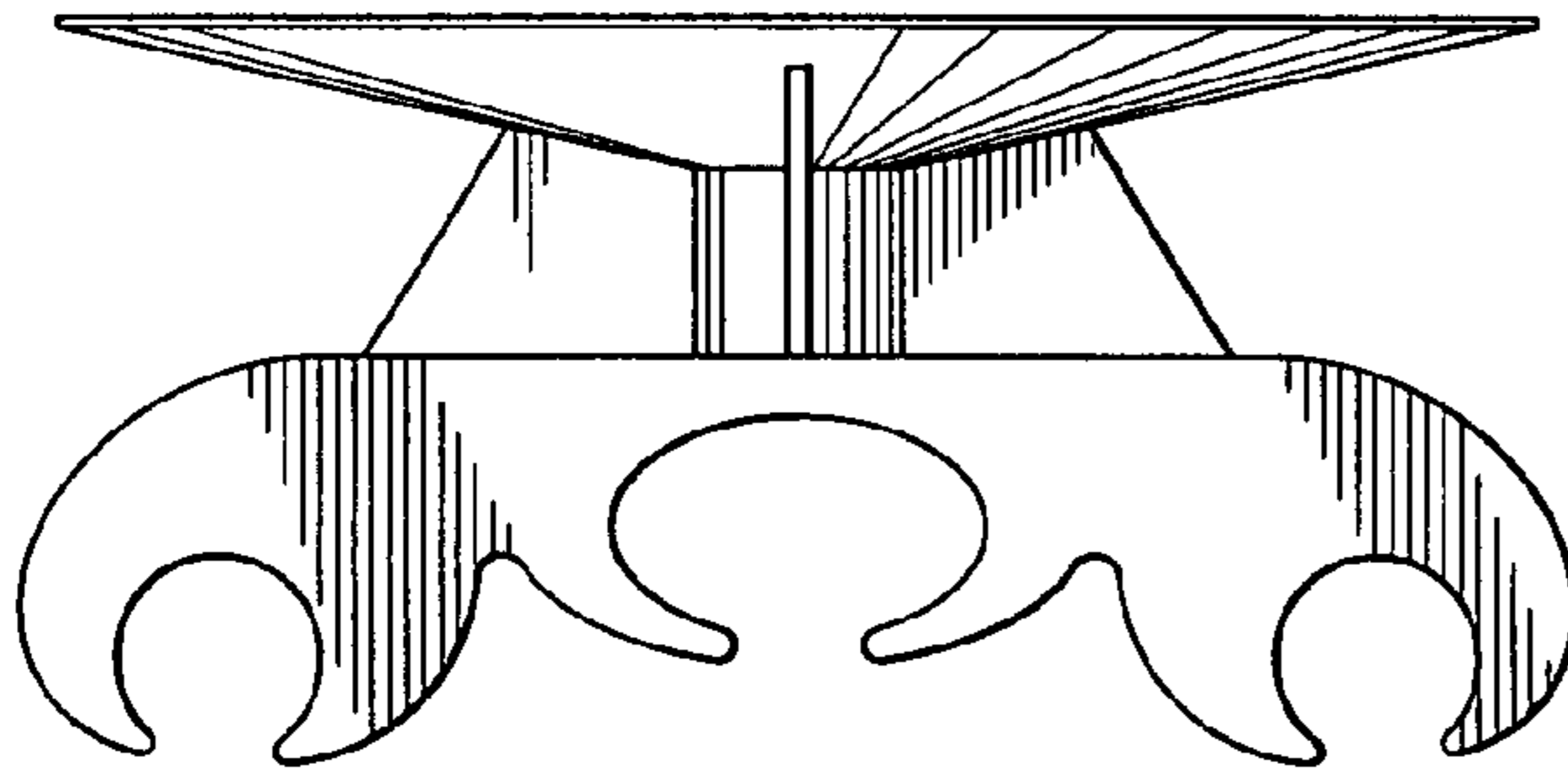


Fig. 4

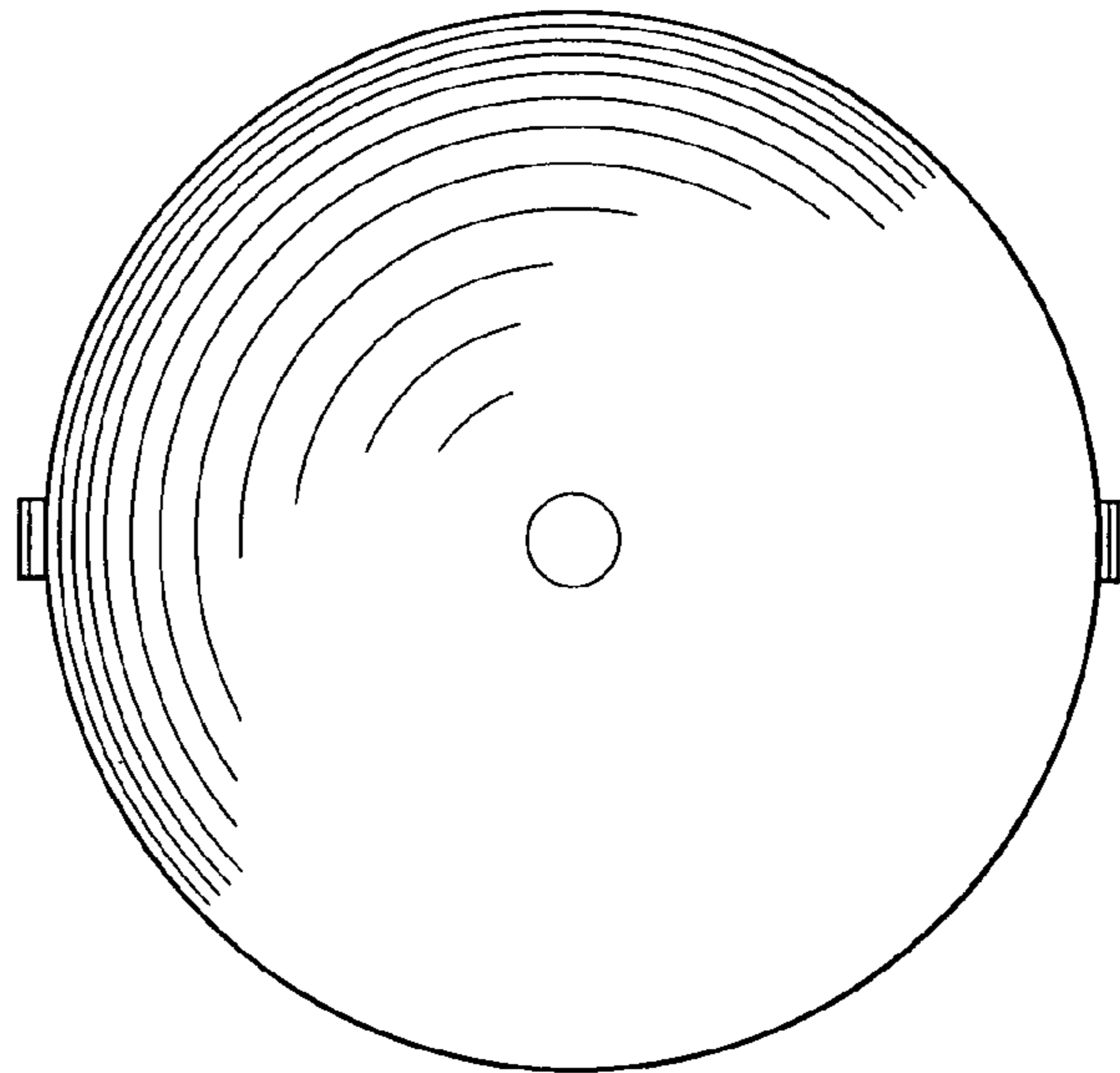


Fig. 5

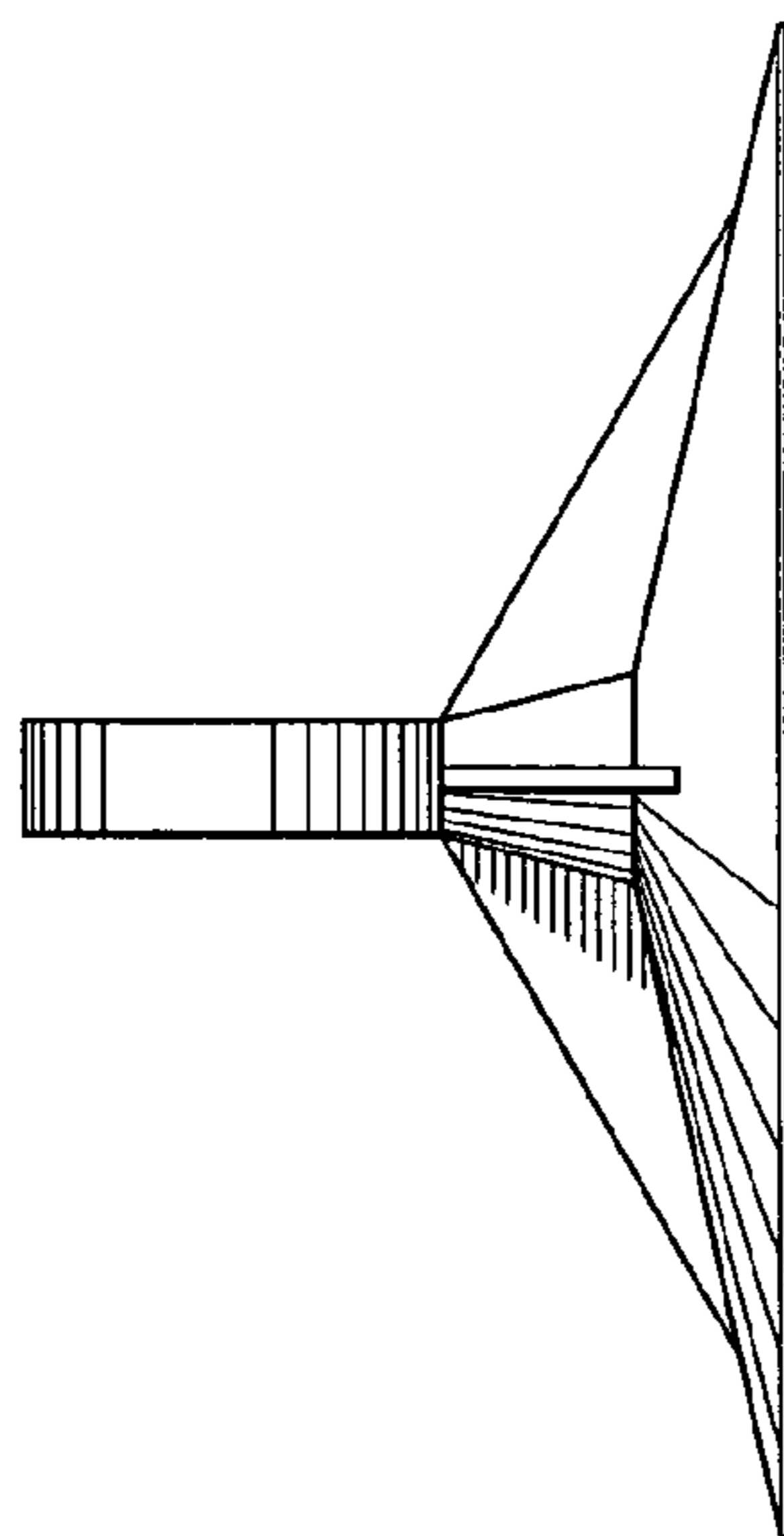


Fig. 6

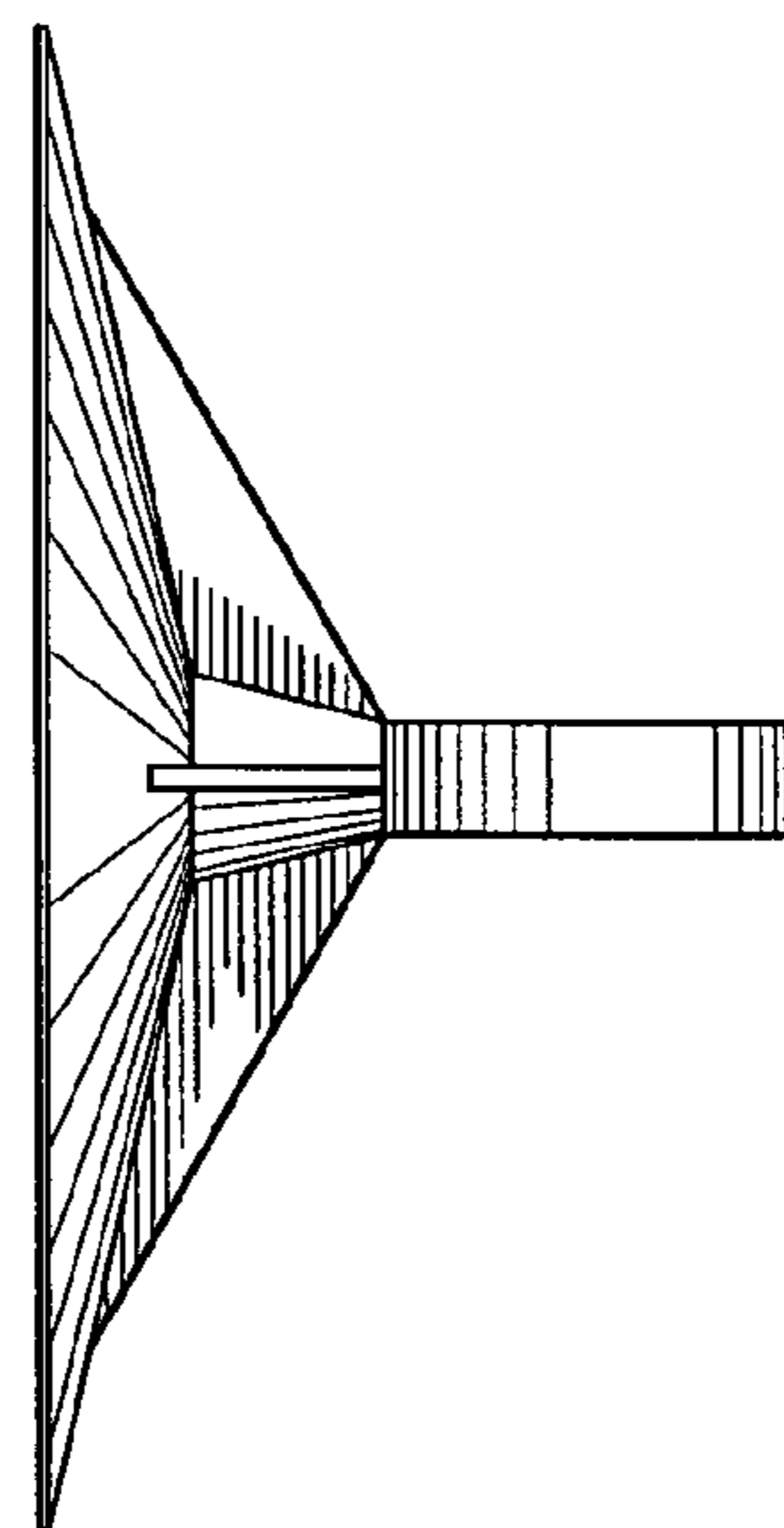


Fig. 7