

US00D564271S

(12) **United States Design Patent**
Snider

(10) **Patent No.: US D564,271 S**
(45) **Date of Patent: ** Mar. 18, 2008**

(54) **SHOWER CADDY WITH MESH WALLS**

D498,102 S * 11/2004 Snell D6/525
D512,861 S * 12/2005 Rosen D6/525
D530,551 S * 10/2006 Snell D6/525
D530,948 S * 10/2006 Snell D6/525

(75) Inventor: **Martin Snider**, New City, NY (US)

(73) Assignee: **MSA Products, Inc.**, Nyack, NY (US)

(**) Term: **14 Years**

(21) Appl. No.: **29/285,968**

(22) Filed: **Apr. 18, 2007**

(51) **LOC (8) Cl.** **23-02**

(52) **U.S. Cl.** **D6/525**

(58) **Field of Classification Search** D6/524,
D6/525, 566, 536, 540; 211/13.1, 74, 71.01,
211/86.01, 75, 88.01, 90.01, 90.03, 106, 119,
211/126.1, 133.5, 181.1, 134
See application file for complete search history.

(56) **References Cited**

U.S. PATENT DOCUMENTS

D351,750 S * 10/1994 Sweeney D6/525
D396,157 S * 7/1998 Hofman D6/525
D446,670 S * 8/2001 Emery et al. D6/525
6,520,351 B1 * 2/2003 Zadro 211/119
D473,084 S * 4/2003 Suero, Jr. D6/525
D473,411 S * 4/2003 Walker D6/525
D477,947 S * 8/2003 Snell D6/525
D479,074 S * 9/2003 Snell D6/525
D489,207 S * 5/2004 Rosen D6/525

* cited by examiner

Primary Examiner—Brian N Vinson

(74) *Attorney, Agent, or Firm*—Gerald E. Hespos; Anthony J. Casella

(57) **CLAIM**

The ornamental design for a shower caddy with mesh walls, as shown and described.

DESCRIPTION

FIG. 1 is a perspective view of a shower caddy with mesh walls in accordance with my design;

FIG. 2 is a top plan view of the shower caddy with mesh walls of FIG. 1;

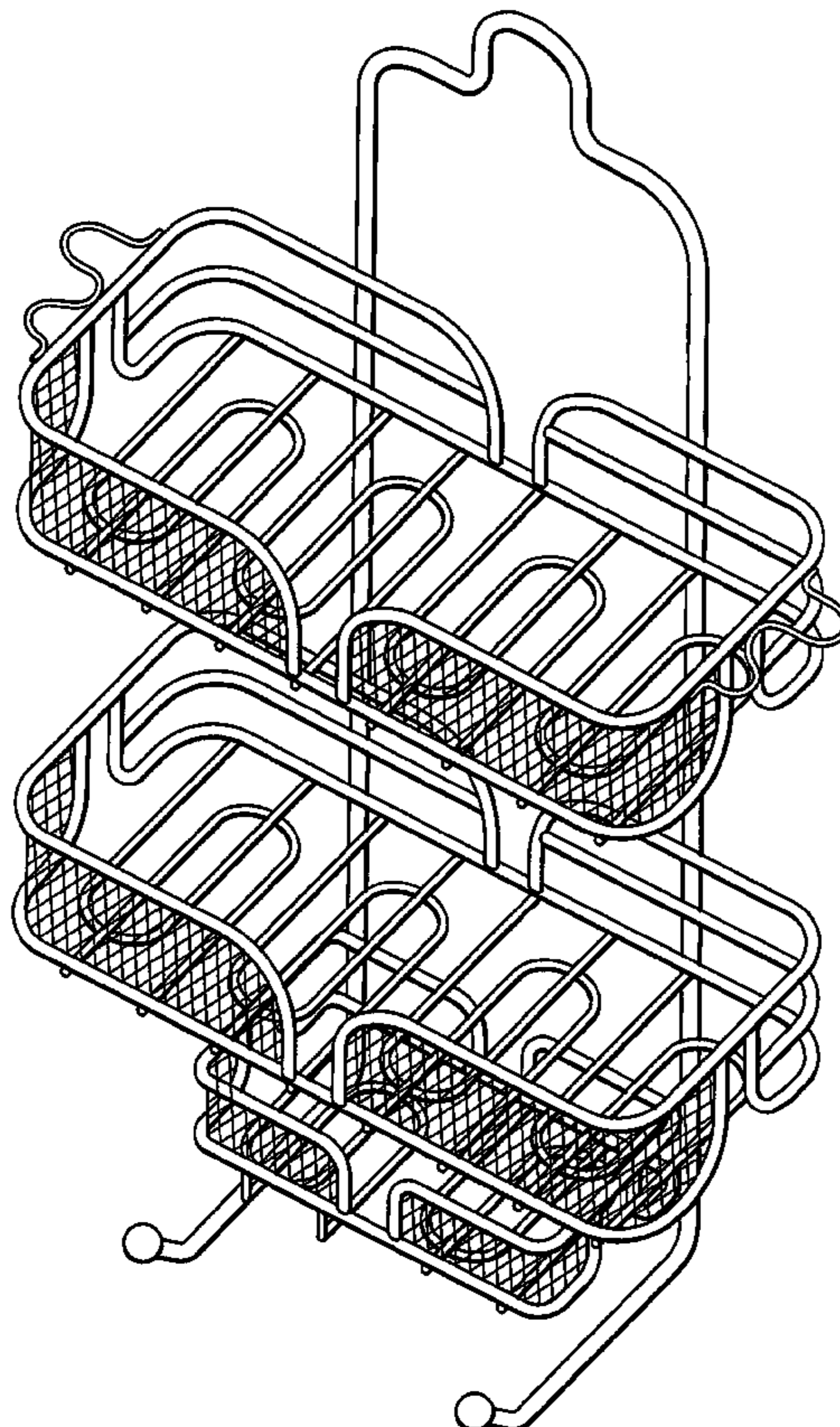
FIG. 3 is a front elevational view thereof;

FIG. 4 is a right side elevational view thereof, with the left side elevational view being a substantial mirror image thereof;

FIG. 5 is a rear elevational view thereof; and,

FIG. 6 is a bottom plan view thereof.

1 Claim, 5 Drawing Sheets



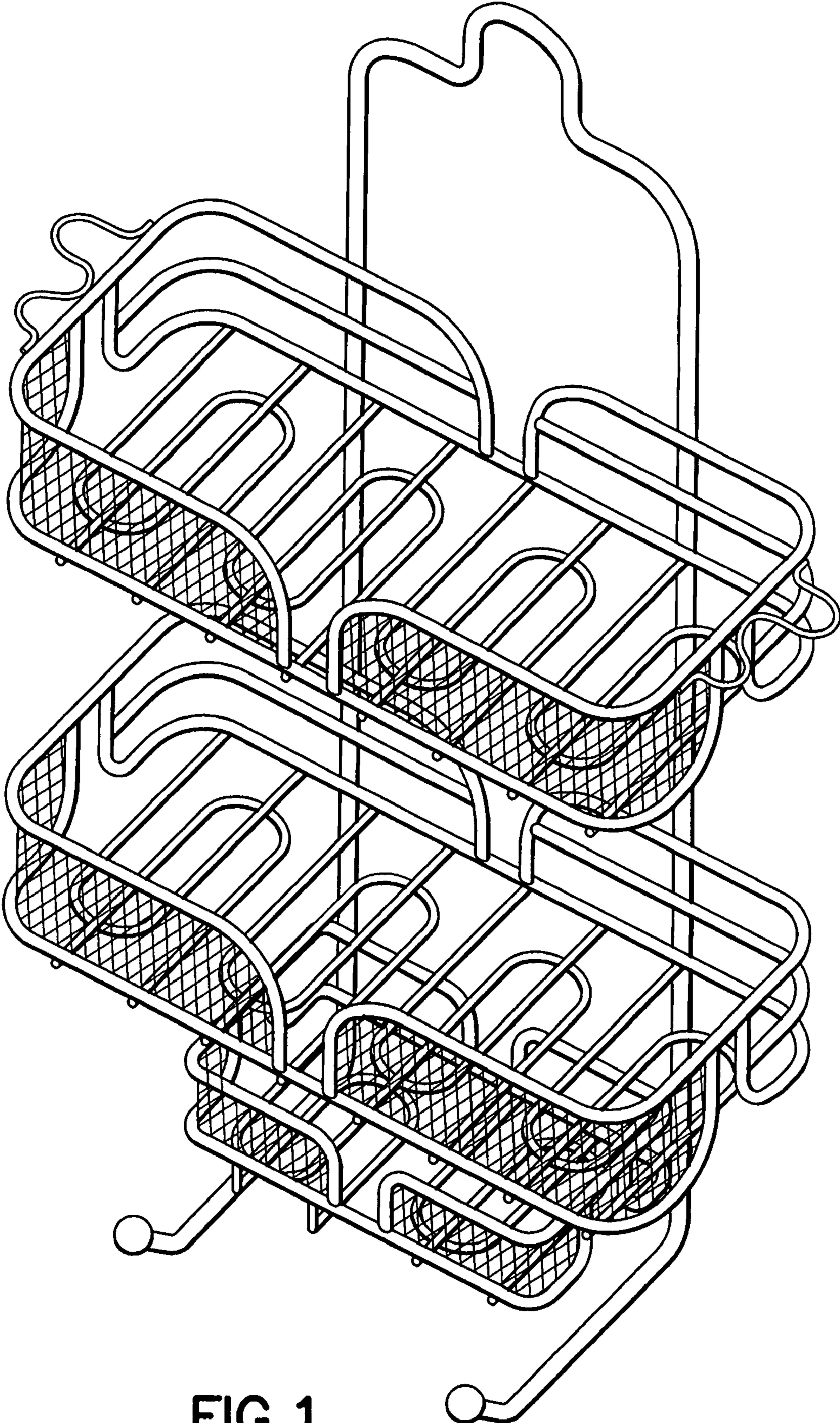


FIG. 1

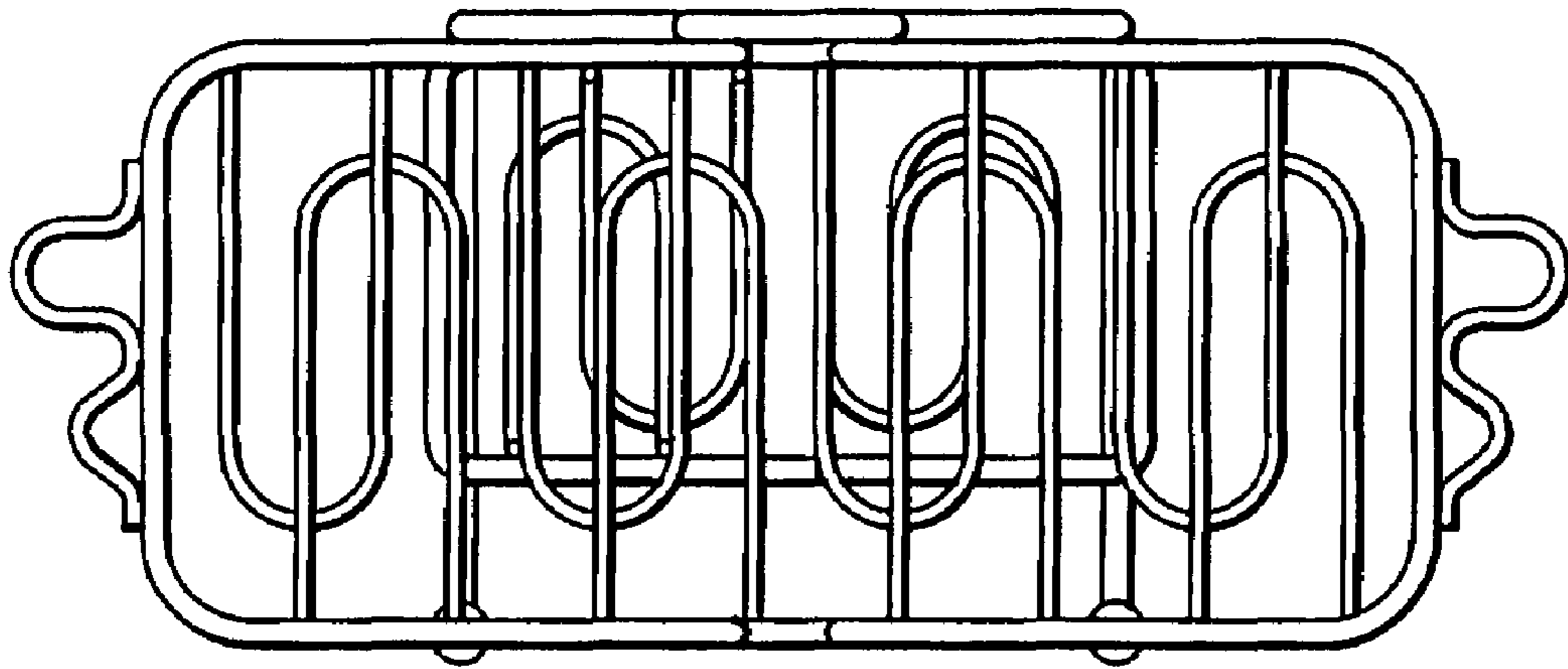


FIG. 2

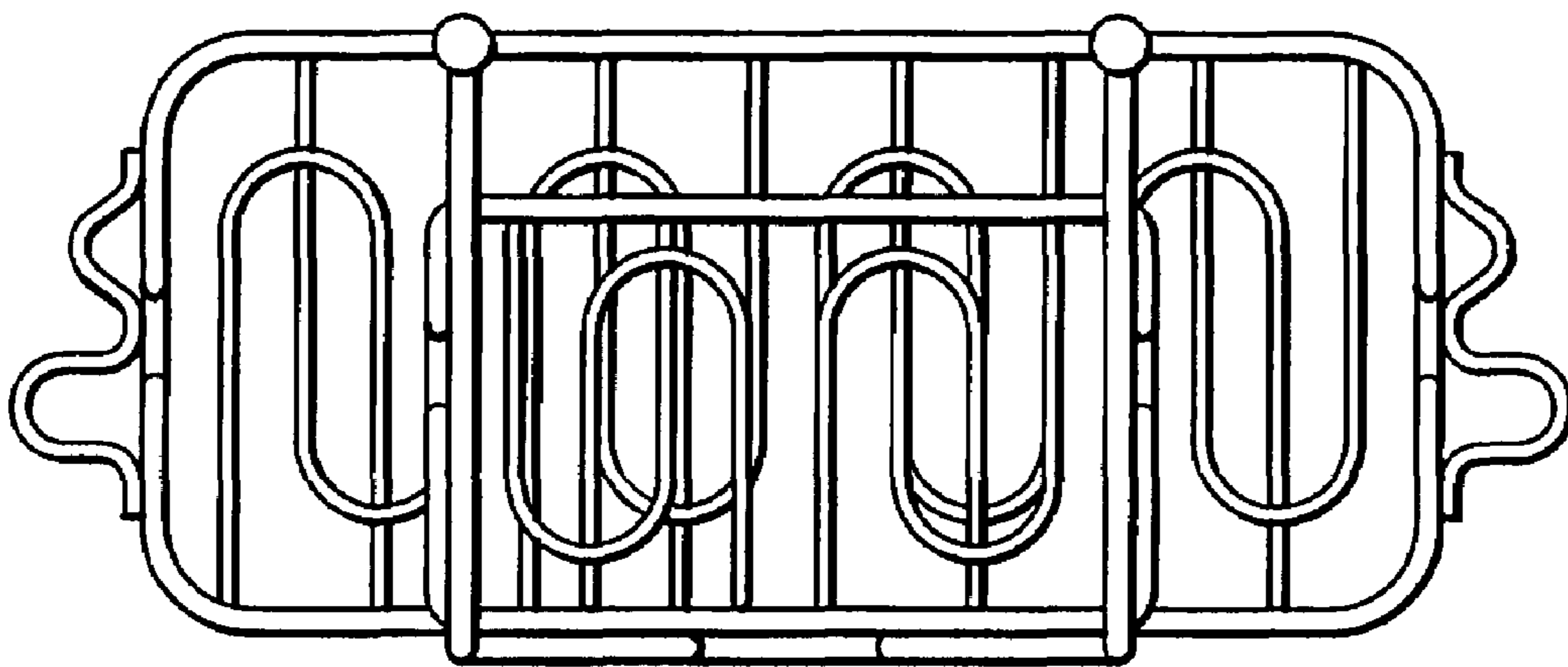


FIG. 6

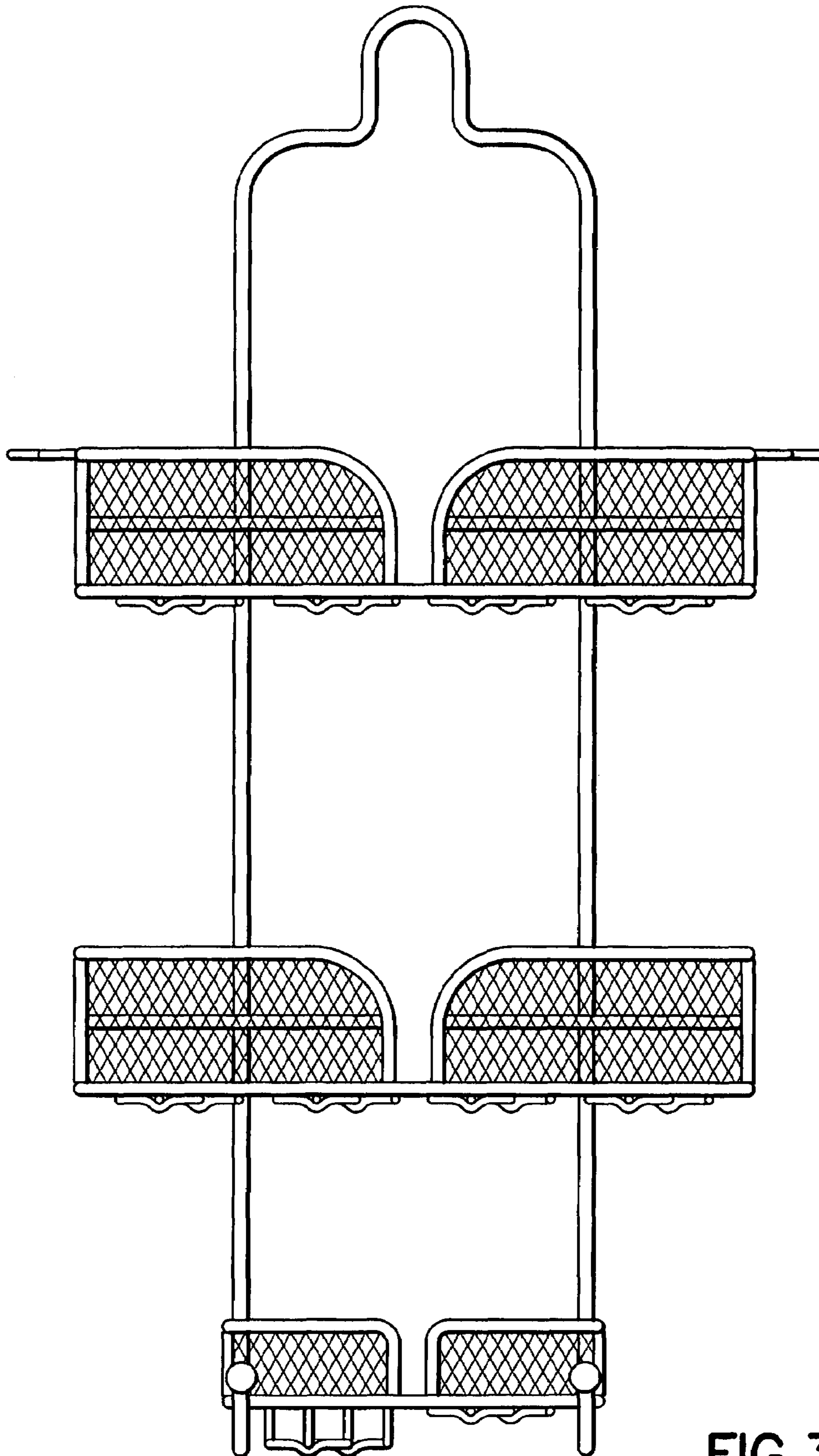


FIG.3

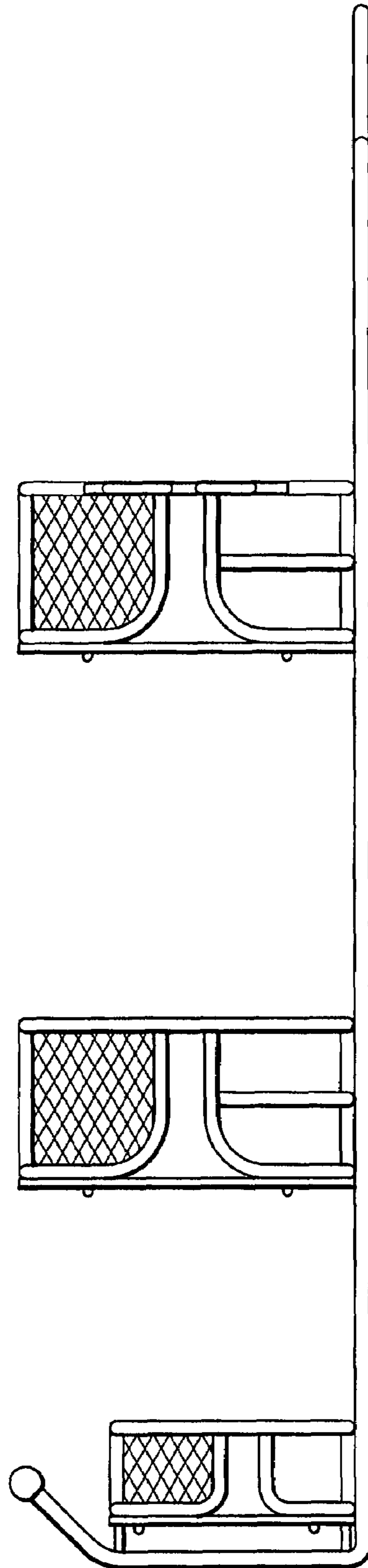


FIG.4

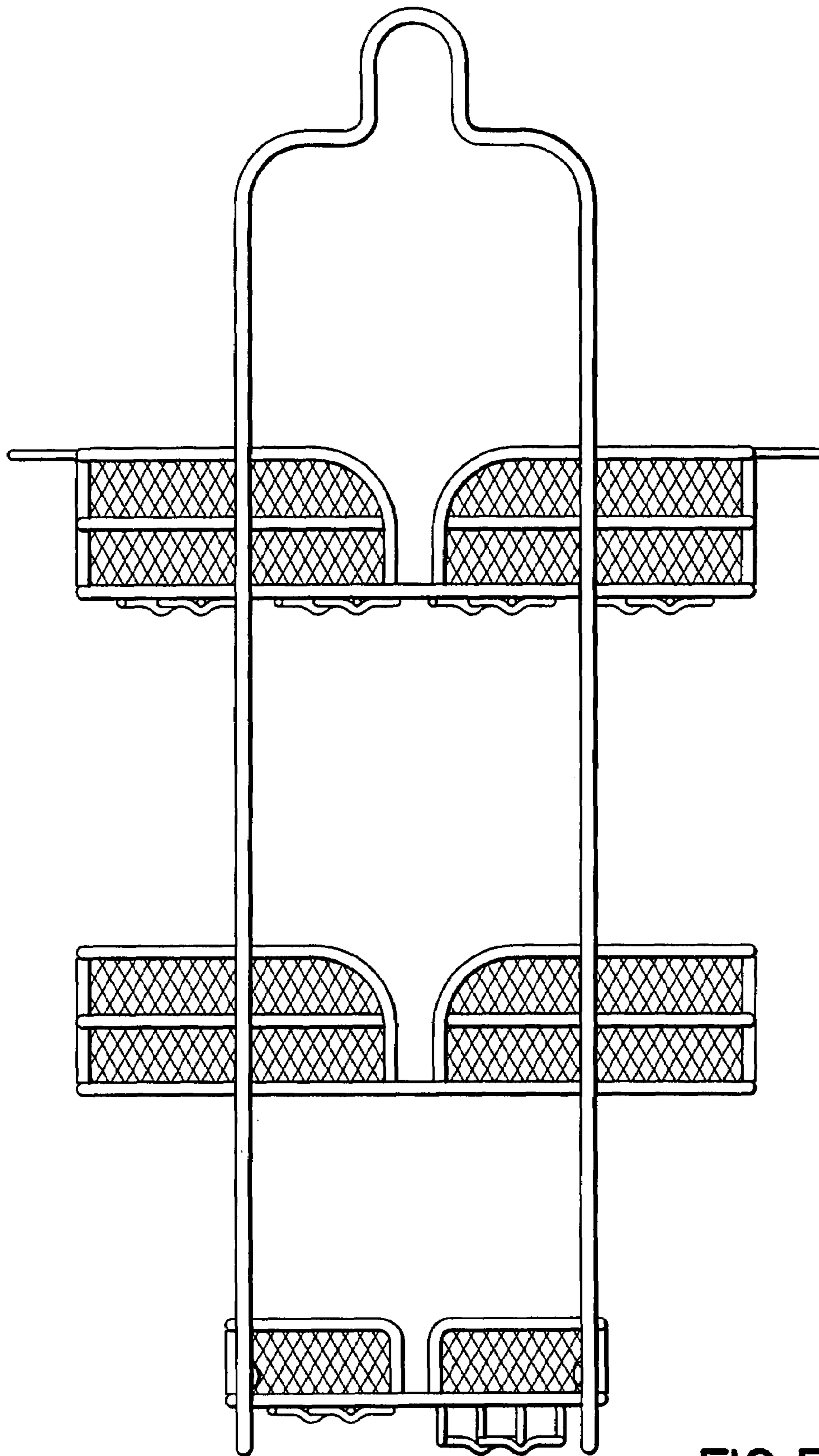


FIG.5