



US00D564270S

(12) **United States Design Patent**  
**Gilbert**

(10) **Patent No.:** **US D564,270 S**

(45) **Date of Patent:** **\*\* Mar. 18, 2008**

(54) **POST**

(75) **Inventor:** **Christopher Jon Gilbert**, Moreland Hills, OH (US)

(73) **Assignee:** **Moen Incorporated**, North Olmsted, OH (US)

(\*\*) **Term:** **14 Years**

(21) **Appl. No.:** **29/286,667**

(22) **Filed:** **May 16, 2007**

(51) **LOC (8) Cl.** ..... **23-02**

(52) **U.S. Cl.** ..... **D6/524; D6/550**

(58) **Field of Classification Search** ..... D6/518-524, D6/548-550; D8/300, 303, 315-321, 349, D8/354, 363, 373, 380; 108/28-29; 211/13.1, 211/16, 60.1, 100, 86.01, 87.01, 88.01, 88.04, 211/105.1-105.2, 123, 182, 181.1; 248/176, 248/176.1, 251, 302, 309.1; 16/110.1, 412, 16/415; 242/570, 590, 595-598

See application file for complete search history.

(56) **References Cited**

**U.S. PATENT DOCUMENTS**

D33,860 S	1/1901	Glauber
D76,713 S	10/1928	Smith
D162,273 S	2/1951	Young
2,885,123 A	5/1959	Turpin
D280,543 S	9/1985	Paul
D285,597 S	9/1986	Miller et al.
D287,395 S	12/1986	Piesco
D300,653 S	4/1989	Paul
D320,335 S	10/1991	Bengtson
D321,039 S	10/1991	Robbins
D337,014 S	7/1993	Wang
D337,230 S	7/1993	Wang
D348,509 S	7/1994	Bollenbacher
D391,831 S	3/1998	Doughty et al.
D405,508 S	2/1999	Doughty et al.
5,873,387 A	2/1999	Weber et al.
5,947,149 A	9/1999	Mark
D429,521 S	8/2000	Doughty et al.

D433,738 S	11/2000	Lord
D436,775 S	1/2001	Ming-Hsiao
D438,602 S	3/2001	Milrud et al.
D452,101 S	12/2001	Yeh
6,345,643 B1	2/2002	Ko
D455,195 S	4/2002	McKeone
D455,196 S	4/2002	Caplow
D455,308 S	4/2002	Ou-Young
D456,063 S	4/2002	McKeone
6,378,912 B1	4/2002	Condon et al.
D461,530 S	8/2002	Moll
D461,536 S	8/2002	Singtoroj
D463,142 S	9/2002	Chou
D464,812 S	10/2002	Yen
D464,834 S	10/2002	Yen
D465,265 S	11/2002	Czerwinski et al.
D465,557 S	11/2002	Antoniello et al.
D468,405 S	1/2003	McKeone
D470,701 S	2/2003	Kuo
D472,417 S	4/2003	Hunt

(Continued)

*Primary Examiner*—Brian N Vinson

(74) *Attorney, Agent, or Firm*—Calfee, Halter & Griswold LLP

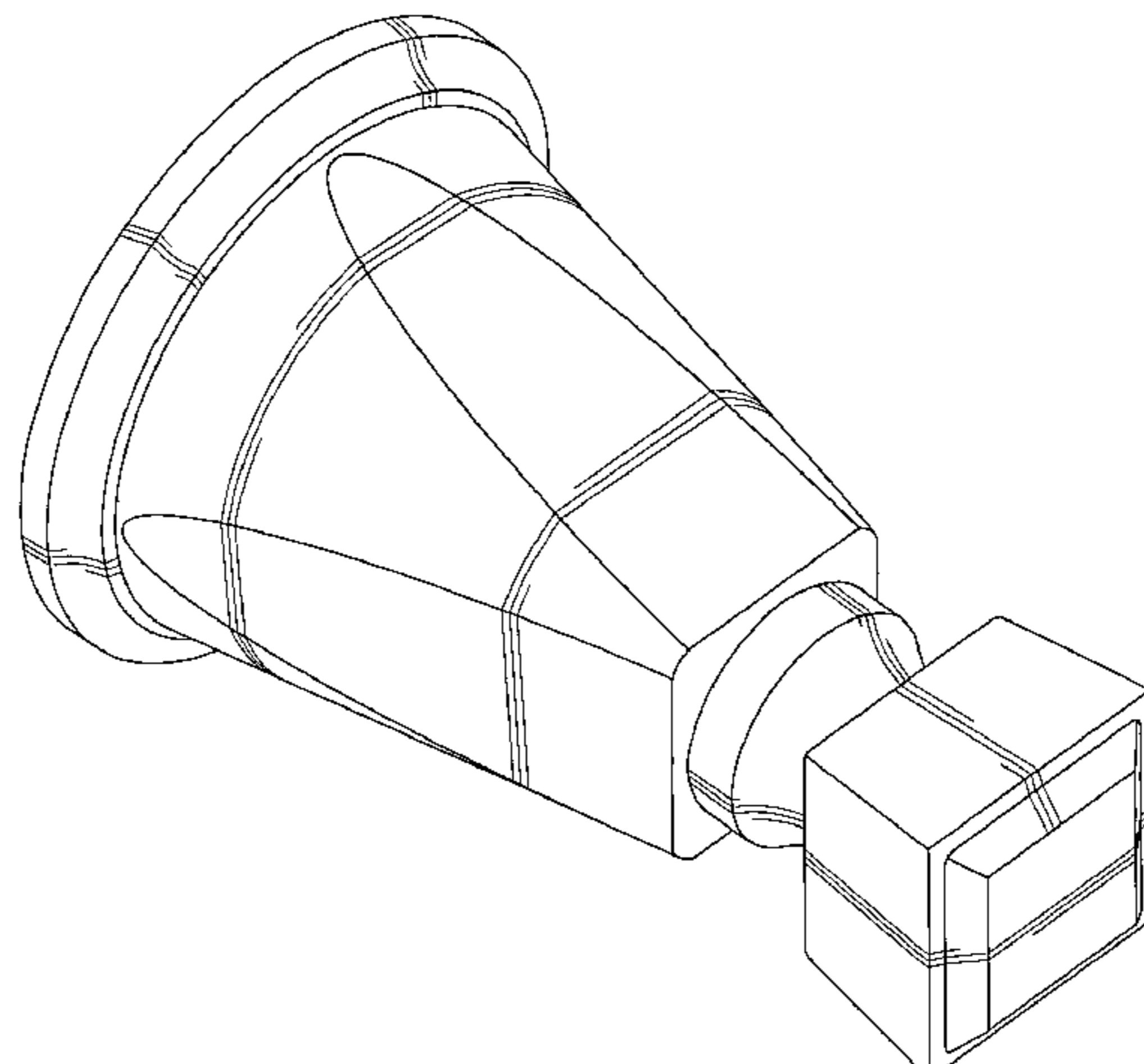
(57) **CLAIM**

The ornamental design for a post, as shown and described.

**DESCRIPTION**

FIG. 1 is a perspective view of a post of the new design; FIG. 2 is a front elevational view of the post of FIG. 1; FIG. 3 is a left side elevational view of the post of FIG. 1, the top plan view and the bottom plan view being a mirror image thereof; and, FIG. 4 is a right side elevational view of the post of FIG. 1. The portions of the Figures shown in broken lines are not part of the claimed design and are for illustration only.

**1 Claim, 2 Drawing Sheets**



# US D564,270 S

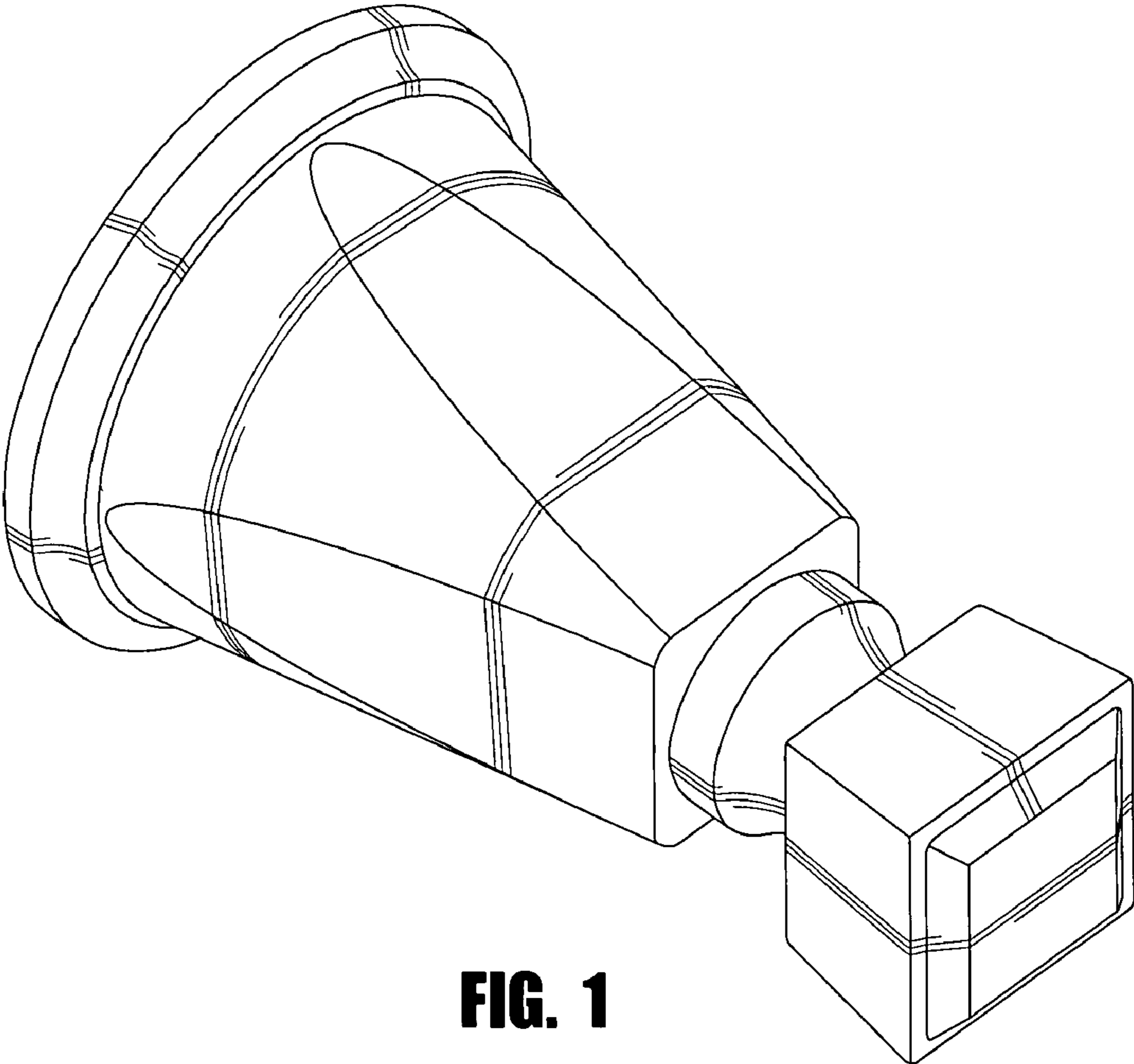
Page 2

---

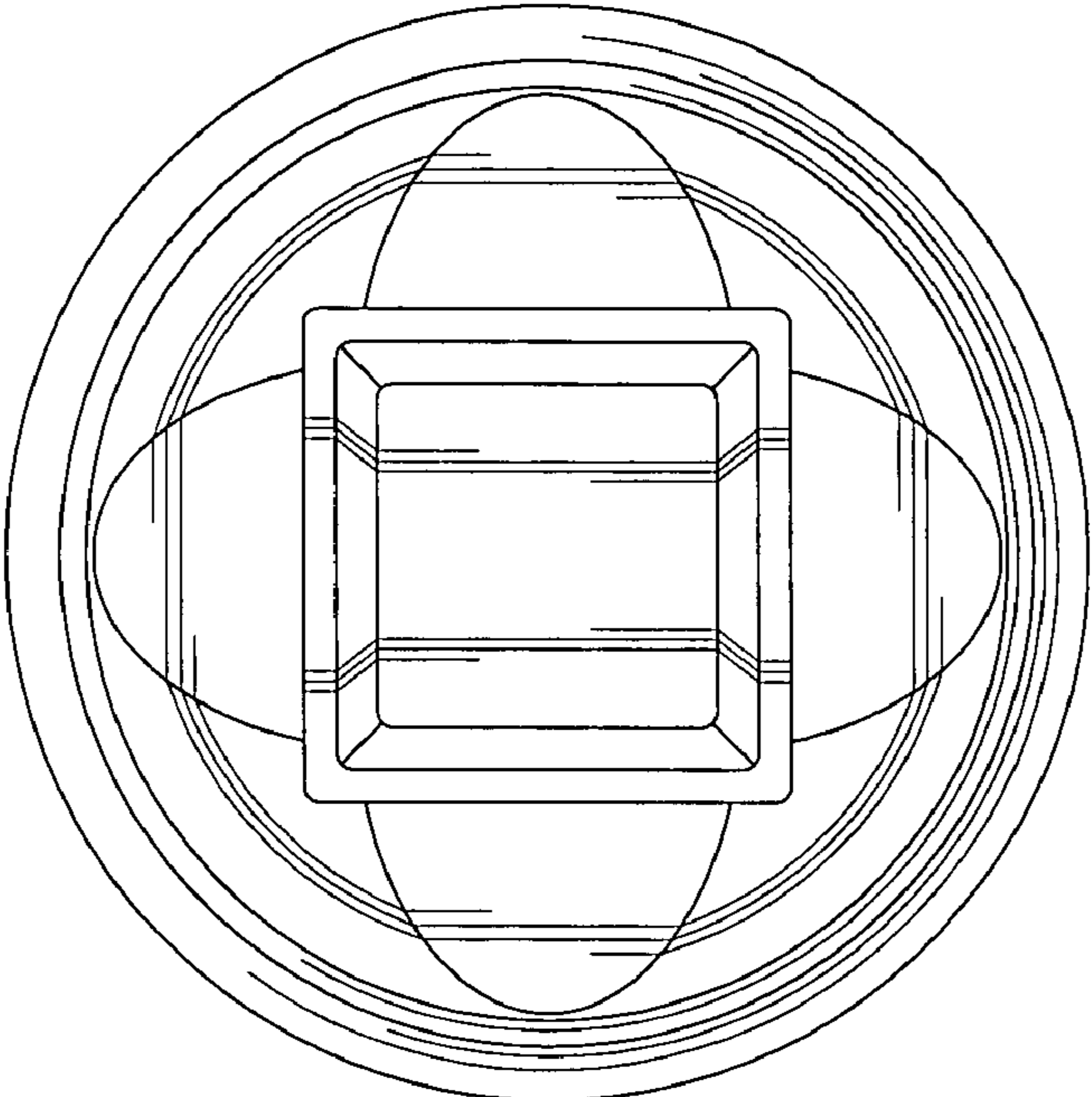
## U.S. PATENT DOCUMENTS

D477,386 S	7/2003	Schonherr et al.		D511,811 S	11/2005	Lord	
D479,739 S	9/2003	Citterio		D516,357 S *	3/2006	Gilbert et al. ....	D6/550
D483,585 S *	12/2003	Chen .....	D6/524	D517,653 S	3/2006	Ito	
D484,951 S	1/2004	Lin		D518,557 S	4/2006	Thun	
D486,563 S	2/2004	Hsieh		D520,791 S *	5/2006	Solowiej .....	D6/550
D496,717 S	9/2004	Svendsen et al.		D520,793 S *	5/2006	Gilbert .....	D6/550
D497,198 S	10/2004	Painter et al.		D533,642 S *	12/2006	Gilbert et al. ....	D6/524
D497,751 S *	11/2004	Roberts et al. ....	D6/524	D550,009 S *	9/2007	Rexach .....	D6/524
D501,746 S *	2/2005	Gilbert .....	D6/550	D551,886 S *	10/2007	Berberet .....	D6/524
6,854,920 B2	2/2005	Romero					

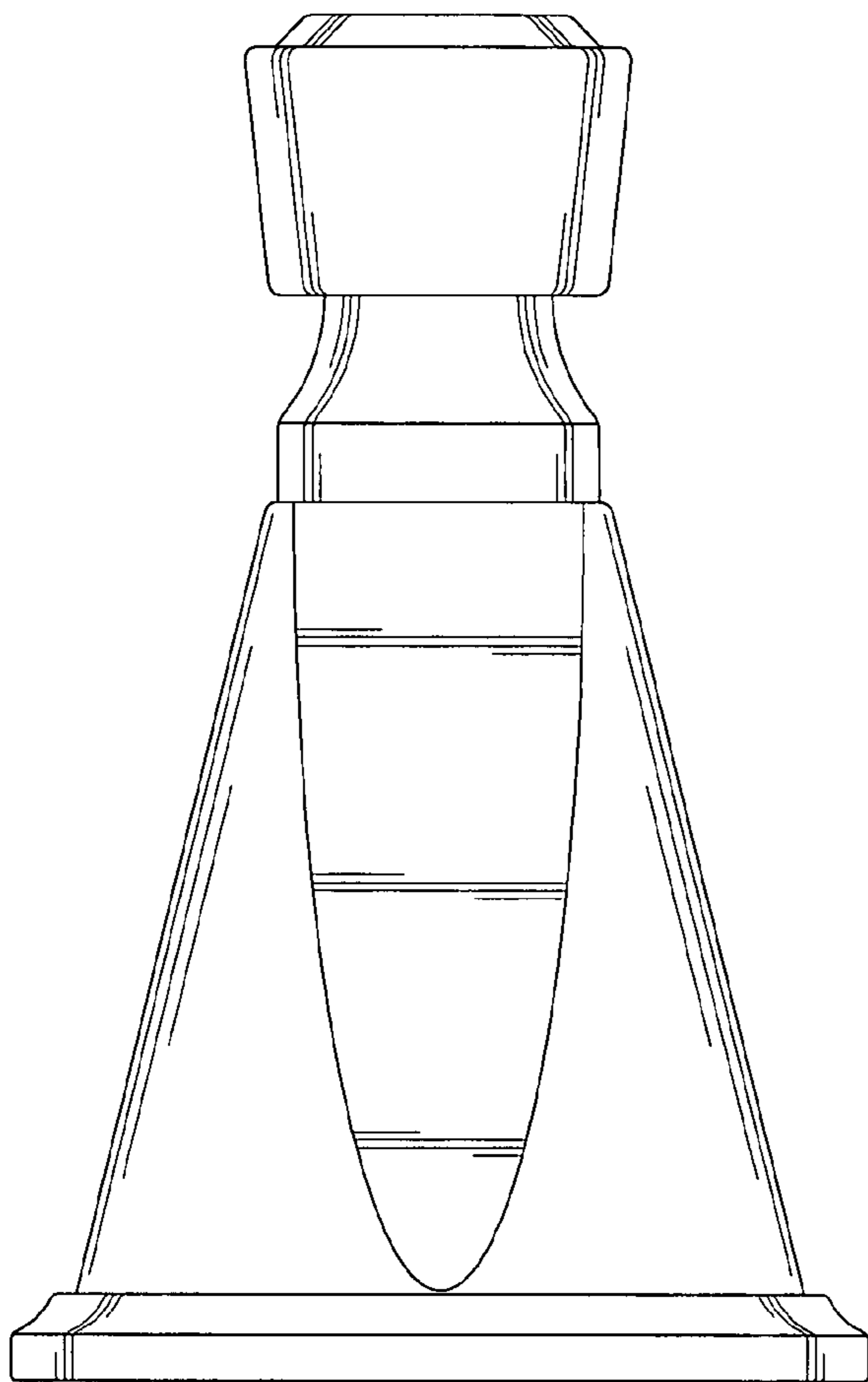
\* cited by examiner



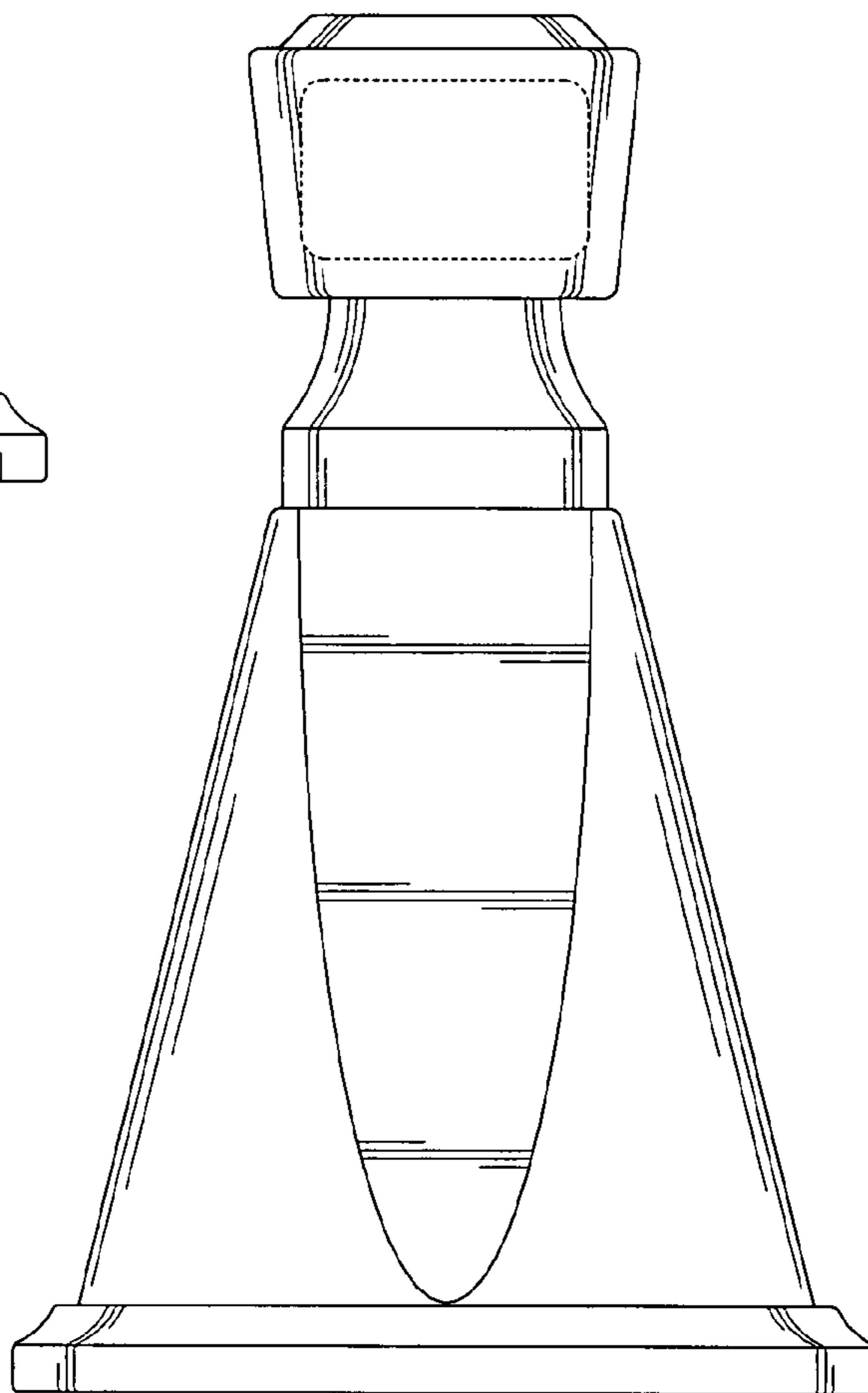
**FIG. 1**



**FIG. 2**



**FIG. 3**



**FIG. 4**