



US00D564269S

(12) **United States Design Patent**  
**Paal et al.**

(10) **Patent No.:** **US D564,269 S**  
(45) **Date of Patent:** **\*\* Mar. 18, 2008**

(54) **SHEET PRODUCT DISPENSER**  
(75) Inventors: **Alan P. Paal**, New Franken, WI (US);  
**James B. Christensen**, Green Bay, WI (US)

D473,142 S 4/2003 Beaver ..... D9/530  
D476,898 S 7/2003 Schuller et al. .... D9/529  
D478,753 S \* 8/2003 Hall et al. .... D6/523  
6,607,514 B2 8/2003 Reese  
D480,312 S 10/2003 Mungur et al. .... D9/506

(73) Assignee: **Georgia-Pacific Consumer Products LP**, Atlanta, GA (US)

(Continued)

(\*\*) Term: **14 Years**

(21) Appl. No.: **29/282,195**

(22) Filed: **Jul. 13, 2007**

(51) **LOC (8) Cl.** ..... **20-02**

(52) **U.S. Cl.** ..... **D6/518**

(58) **Field of Classification Search** ..... D6/515-523;  
D3/201; 206/389, 391, 407, 409; 312/34.1,  
312/34.8; 211/16, 85.5, 59.2; 221/92, 97,  
221/185, 282-284; 242/159, 160.2, 550,  
242/560, 590, 595, 588, 598

See application file for complete search history.

(56) **References Cited**

**U.S. PATENT DOCUMENTS**

D224,644 S 8/1972 Mascia et al. .... D9/216  
3,843,017 A 10/1974 Harrison  
D284,941 S 8/1986 Porteous ..... D9/378  
D293,058 S 12/1987 Iwarsson  
D316,789 S 5/1991 McLaughlin  
D326,203 S 5/1992 Butler  
D327,798 S 7/1992 Addison et al.  
D327,799 S 7/1992 Addison et al.  
D328,011 S 7/1992 Rickabaugh ..... D7/629  
D370,153 S 5/1996 Chaney et al. .... D7/511  
D370,850 S 6/1996 Beaver ..... D9/543  
D372,615 S 8/1996 Owens  
D377,902 S 2/1997 Marucci ..... D9/534  
5,803,249 A 9/1998 Harsanyi, Jr. et al.  
D462,012 S 8/2002 Manderfield, Jr. .... D9/530  
D462,270 S 9/2002 Renz ..... D9/537  
D464,879 S 10/2002 Meeker et al. .... D9/424  
D465,153 S 11/2002 Meeker et al. .... D9/424  
D467,106 S \* 12/2002 Bohay ..... D6/523

**OTHER PUBLICATIONS**

Trademark Serial No. 77195162. Filed Jun. 1, 2007. Sellars Absorbent Materials, Inc. (owner).  
Trademark Serial No. 77195179. filed Jun. 1, 2007. Sellars Absorbent Materials, Inc. (owner).  
Trademark Serial No. 77203519. filed Jun. 12,2007. Sellars Absorbent Materials, Inc. (owner).  
Trademark Serial No. 77203521. filed Jun. 12, 2007. Sellars Absorbent Materials, Inc. (owner).

(Continued)

*Primary Examiner*—Brian N Vinson  
(74) *Attorney, Agent, or Firm*—Joel T. Charlton

(57) **CLAIM**

The ornamental design for a sheet product dispenser, as shown and described.

**DESCRIPTION**

FIG. 1 is a perspective view of the sheet product dispenser, the sheet product dispenser including broken lines, which are used in the present drawing and throughout the drawings to represent environment and which form no part of the claimed invention;

FIG. 2 is a front view of the sheet product dispenser;

FIG. 3 is a rear view of the sheet product dispenser;

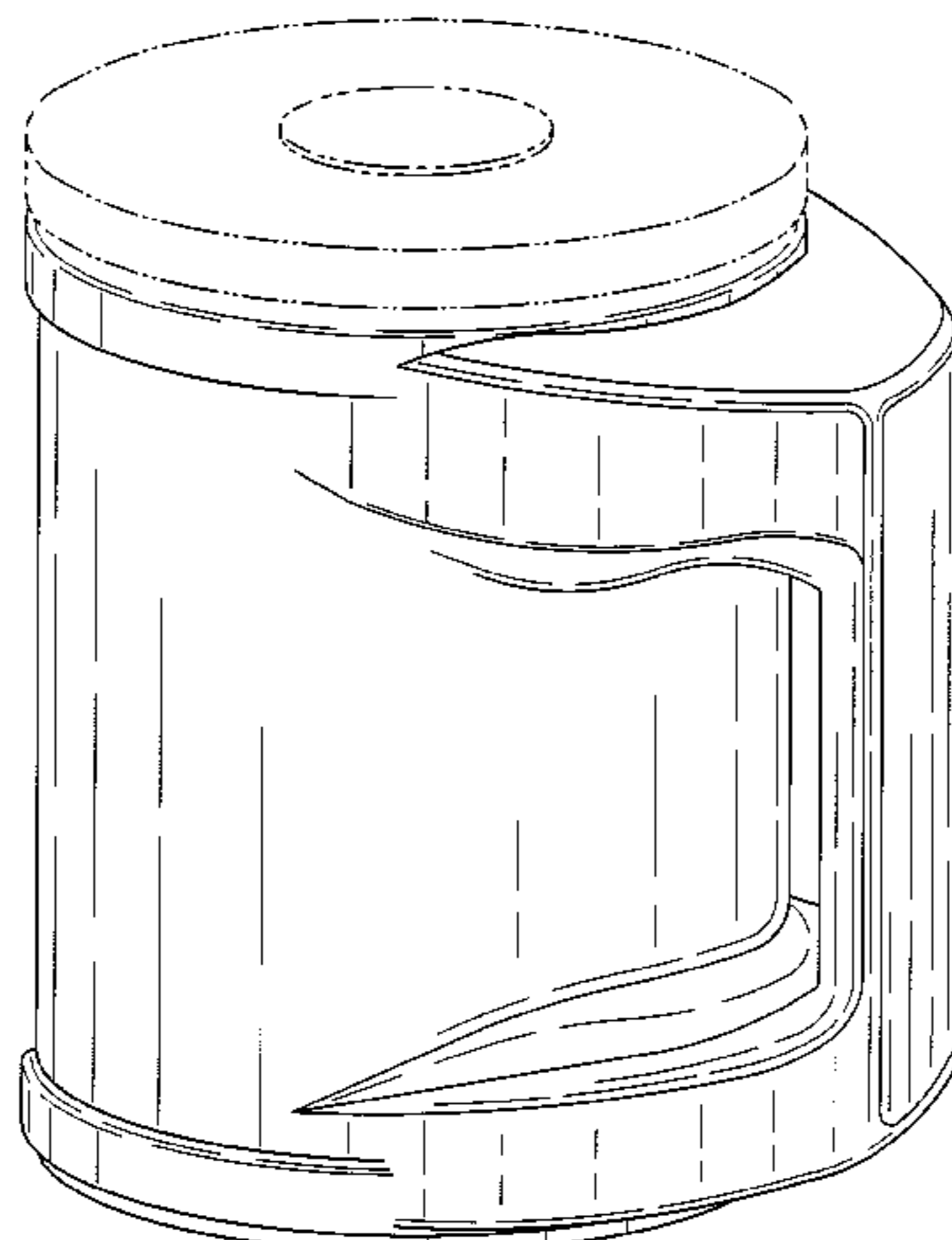
FIG. 4 is a left side view of the sheet product dispenser;

FIG. 5 is a right side view of the sheet product dispenser;

FIG. 6 is a top plan view of the sheet product dispenser; and,

FIG. 7 is a bottom plan view of the sheet product dispenser.

**1 Claim, 4 Drawing Sheets**



# US D564,269 S

Page 2

---

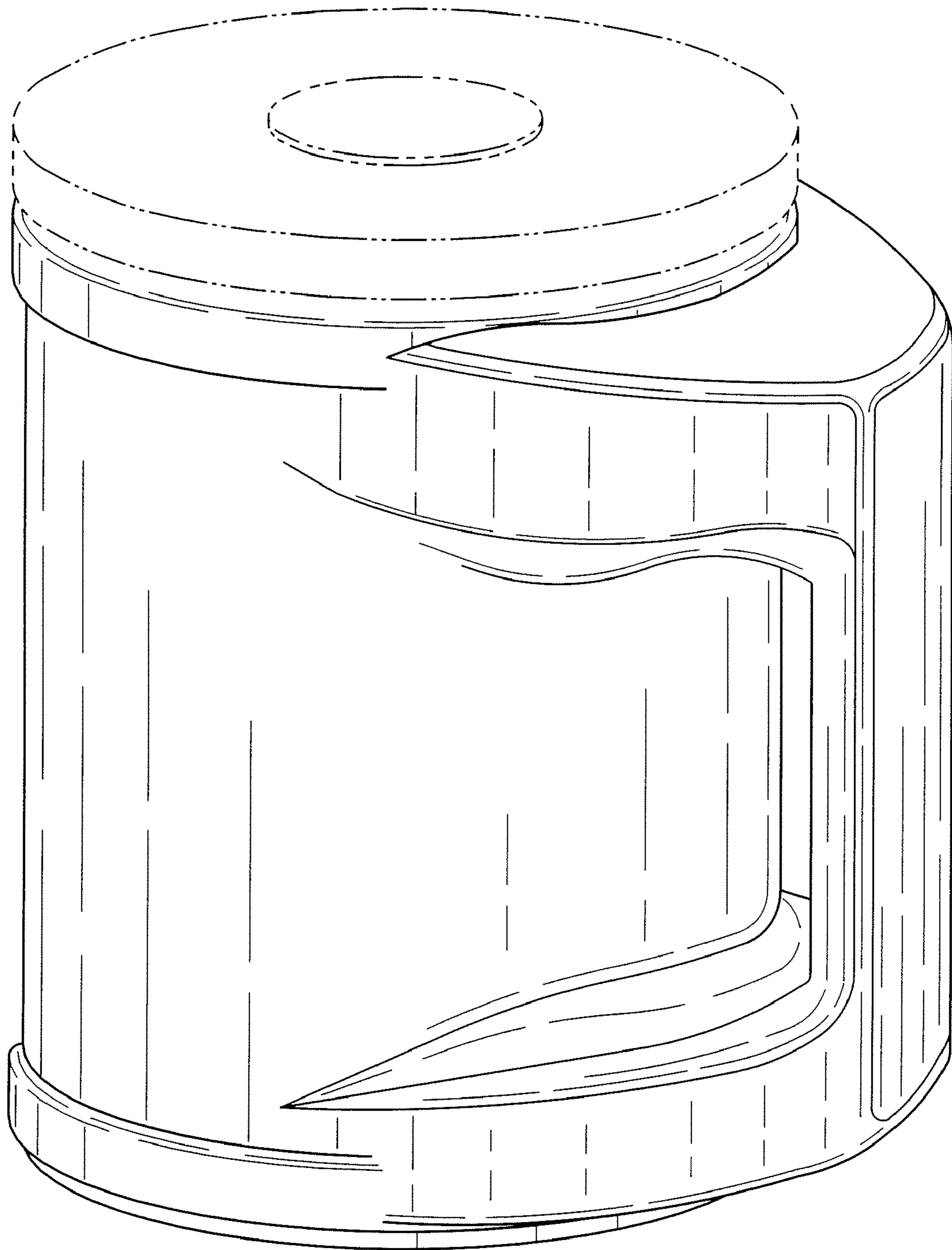
## U.S. PATENT DOCUMENTS

D482,973 S 12/2003 Nottingham et al. .... D9/531  
D500,679 S 1/2005 Walsh et al. .... D9/522  
D504,794 S \* 5/2005 Sellars ..... D6/522  
D511,101 S 11/2005 Nottingham et al. .... D9/531  
D518,735 S 4/2006 Clamage ..... D9/551  
D520,371 S 5/2006 Clamage ..... D9/540  
D522,780 S \* 6/2006 Sellars ..... D6/518  
D528,919 S 9/2006 Kipperman et al. .... D9/529  
D529,400 S 10/2006 Sellars  
D530,224 S 10/2006 Mattesky  
7,169,418 B2 1/2007 Dalton et al. .... 426/110  
D551,477 S \* 9/2007 Kikuchi ..... D6/522  
2003/0010787 A1 1/2003 Dalton et al. .... 220/912  
2003/0116582 A1 6/2003 Tosdale  
2005/0046314 A1 3/2005 Sellars et al.

## OTHER PUBLICATIONS

Trademark Serial No. 77203523. filed Jun. 12, 2007. Sellars Absorbent Materials, Inc. (owner).  
Trademark Serial No. 78436640. filed Feb. 28, 2006. Sellars Absorbent Materials, Inc. (owner).  
Trademark Serial No. 78647842. filed Oct. 31, 2006. Sellars Absorbent Materials, Inc. (owner).  
Trademark Serial No. 78977978. filed Feb. 28, 2006. Sellars Absorbent Materials, Inc. (owner).  
Wypall Wipers, [online]; [retrieved on Dec. 5, 2007]; retrieved from the Internet; Kimberly-Clark Professional; 2007; <http://www.keprofessional.com/us/product-details.asp>; 3 pages.

\* cited by examiner



*Fig. 1*

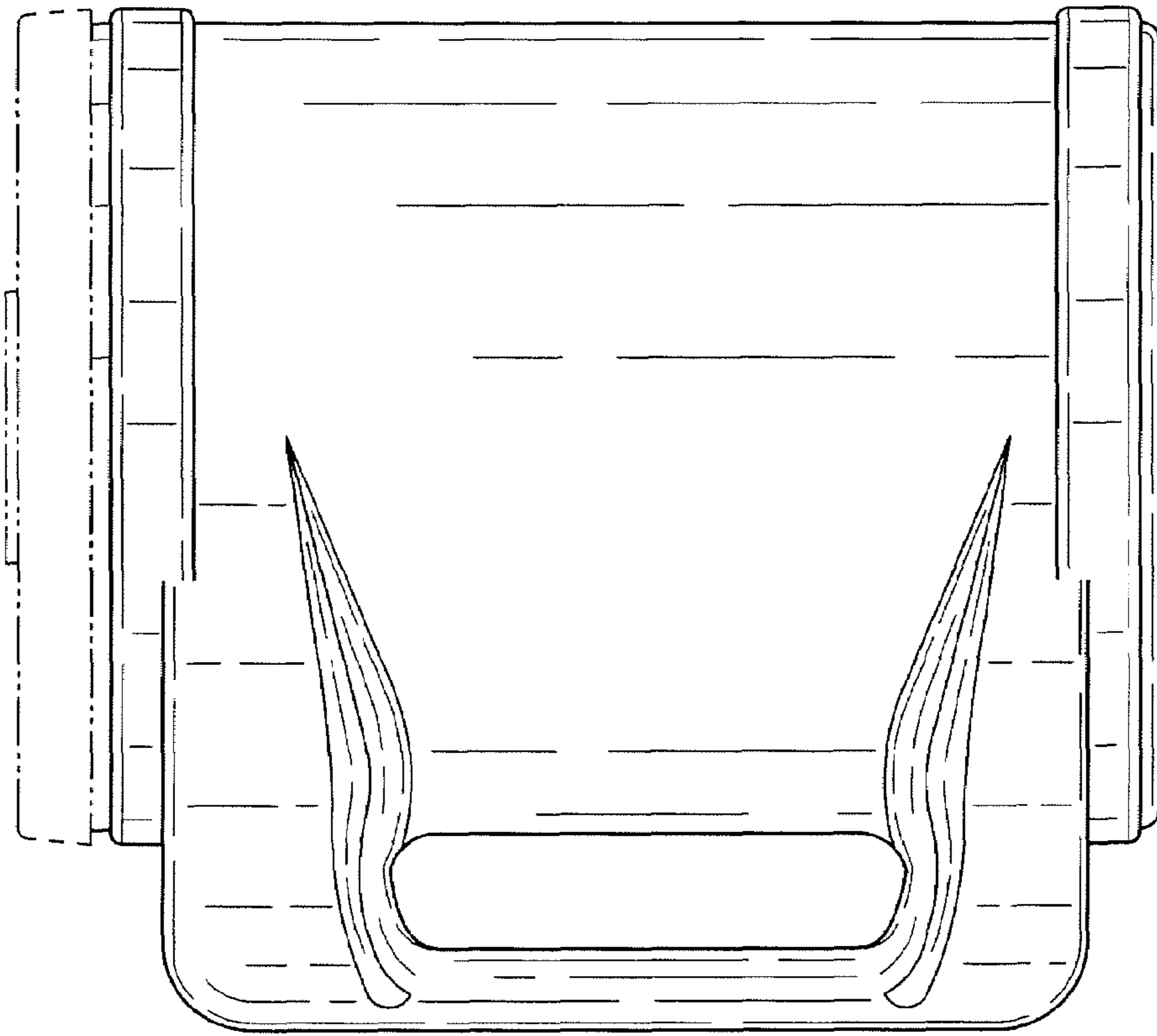


Fig. 3

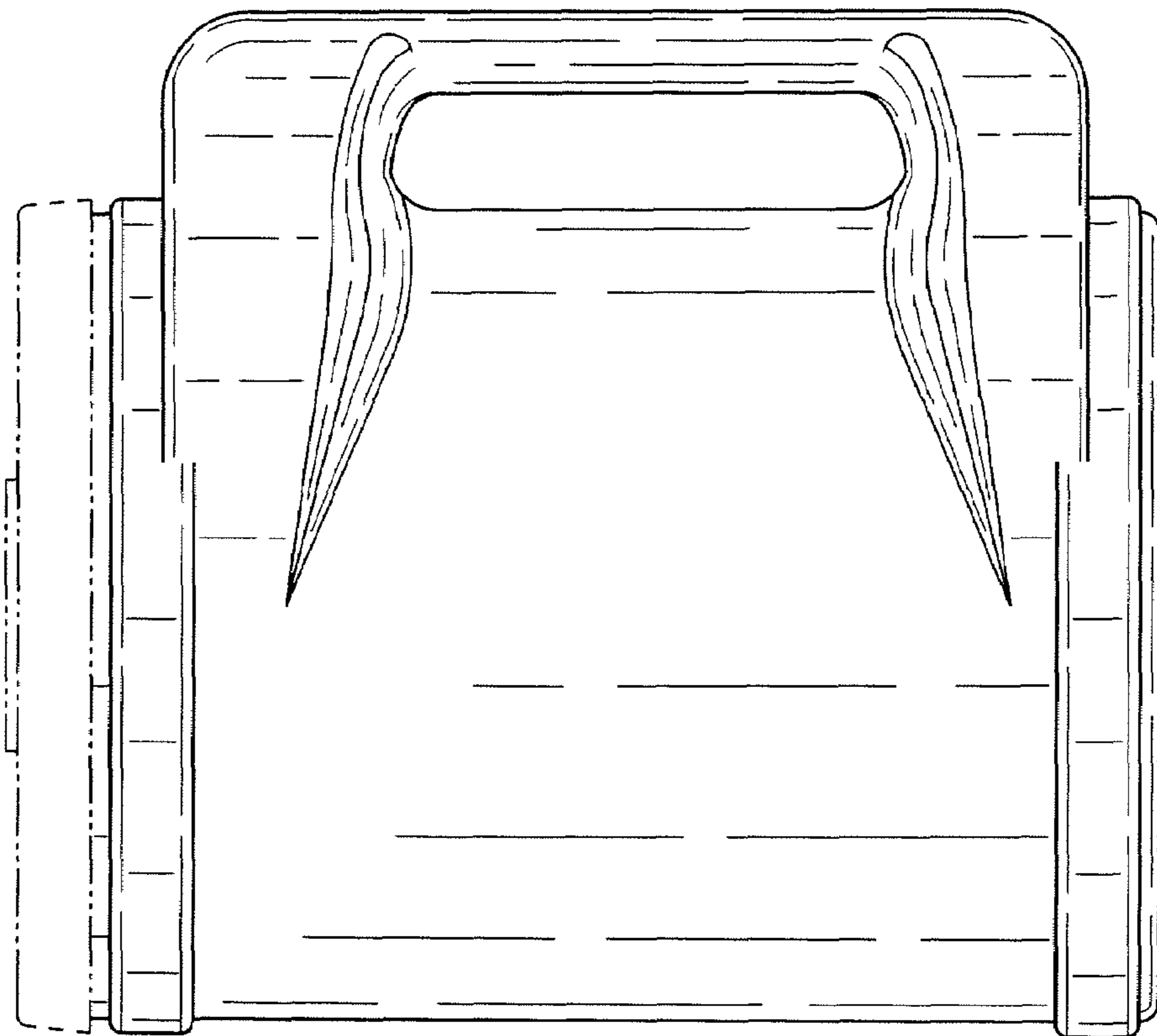
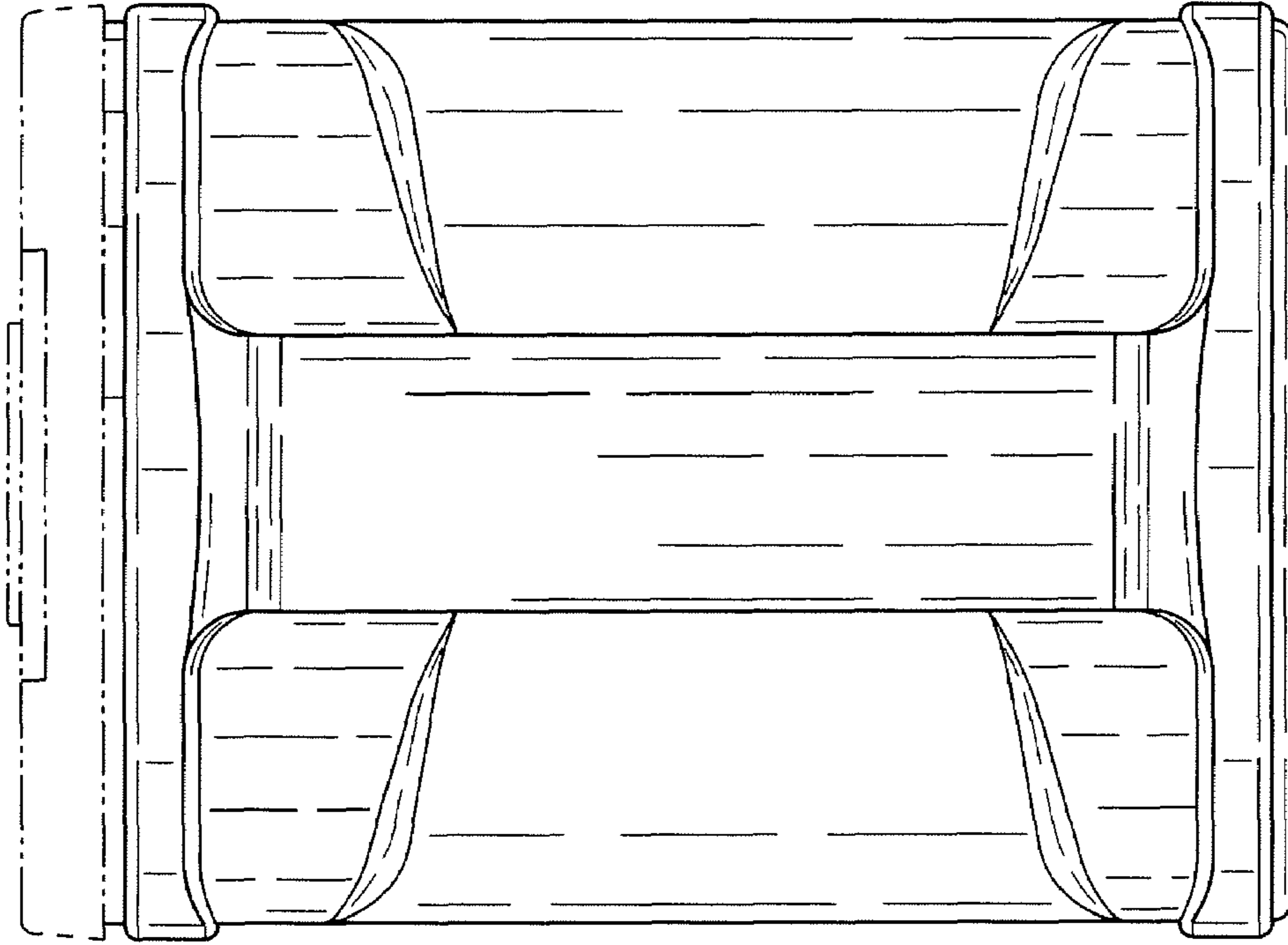
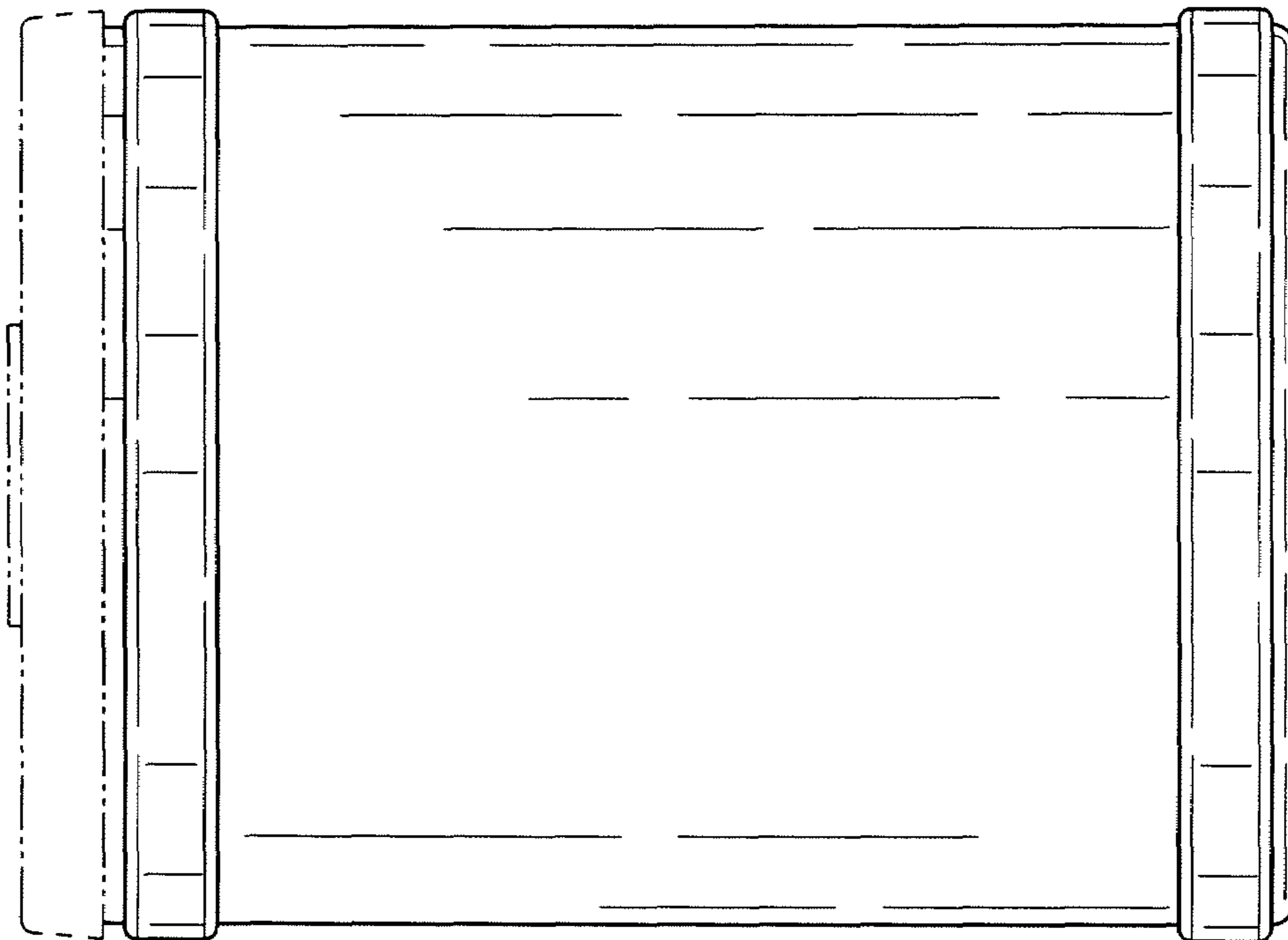


Fig. 2



*Fig. 5*



*Fig. 4*

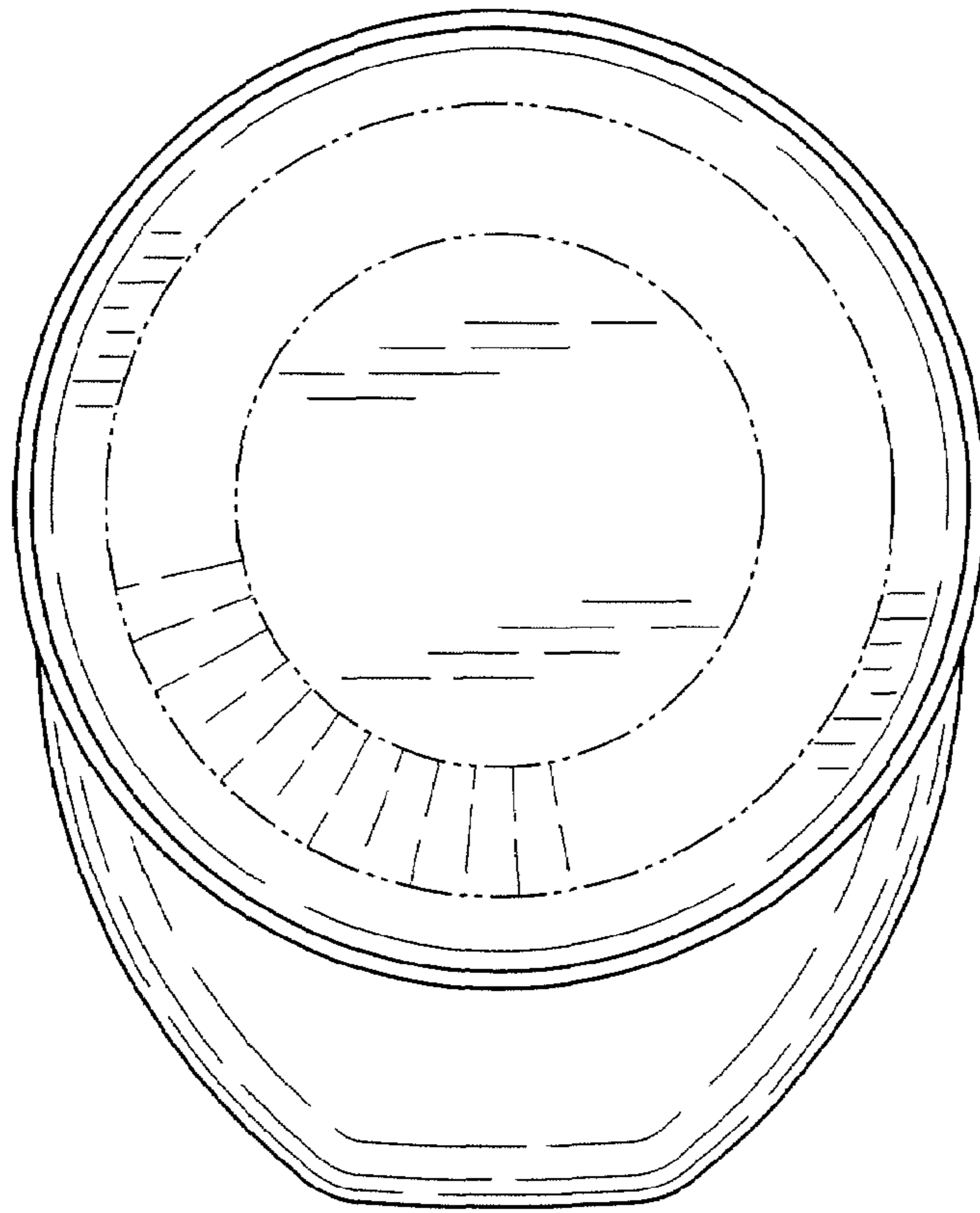


Fig. 7

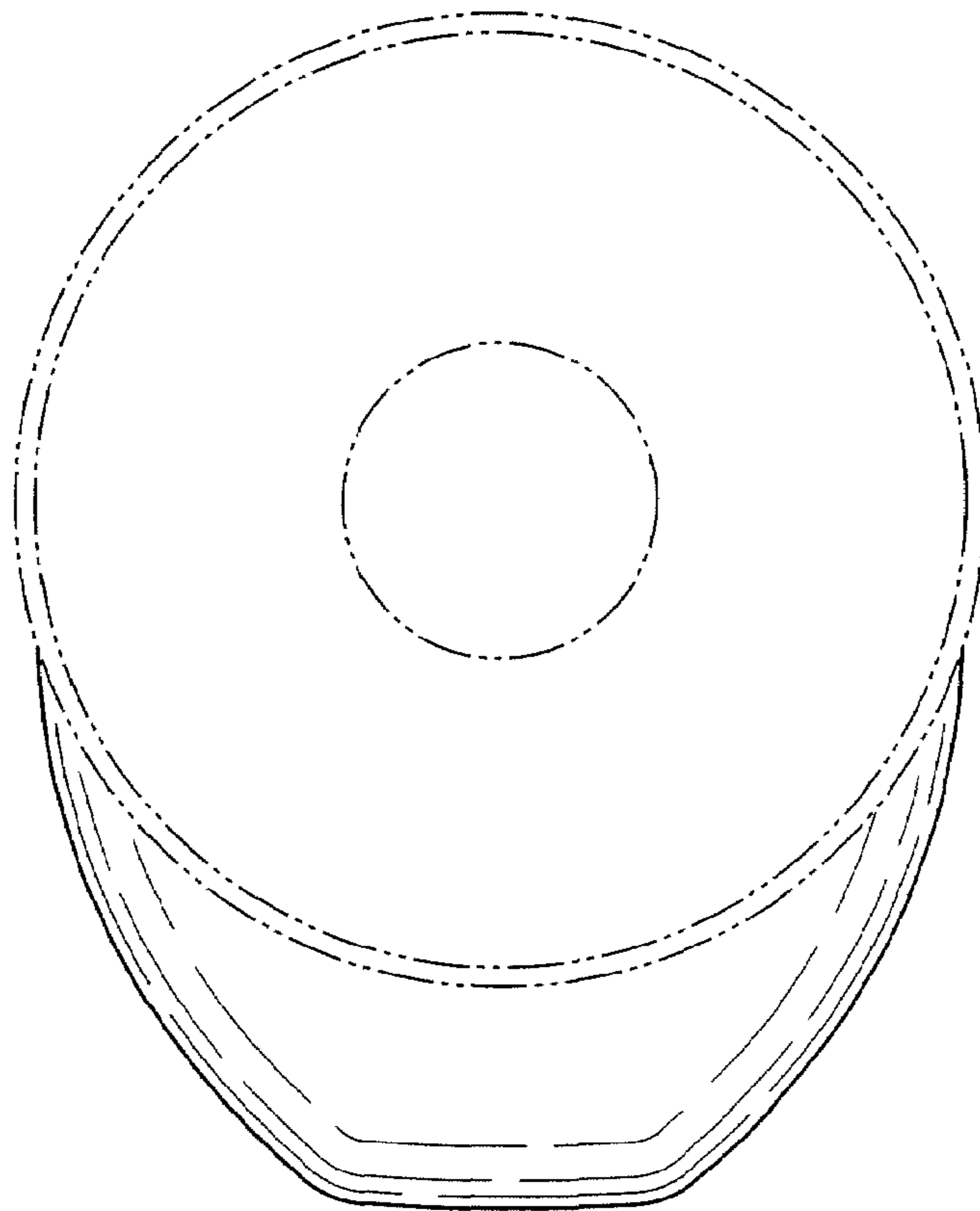


Fig. 6