

US00D564267S

(12) **United States Design Patent**  
**Tomic et al.**

(10) **Patent No.:** **US D564,267 S**  
(45) **Date of Patent:** **\*\* Mar. 18, 2008**

(54) **AUTOMATIC TOWEL DISPENSER**

(75) Inventors: **Dejan Tomic**, Gothenburg (SE); **Kent Zeiron**, Gothenburg (SE)

(73) Assignee: **SCA Hygiene Products AB**, Gothenburg (SE)

(\*\*) Term: **14 Years**

(21) Appl. No.: **29/274,185**

(22) Filed: **Apr. 3, 2007**

(30) **Foreign Application Priority Data**

Oct. 3, 2006 (EM) ..... 000598701-0001/0005

(51) **LOC (8) Cl.** ..... **20-02**

(52) **U.S. Cl.** ..... **D6/518**

(58) **Field of Classification Search** ..... D6/518-523;  
206/389; 221/282-283; 312/34.8; 242/570,  
242/590, 560, 598

See application file for complete search history.

(56) **References Cited**

**U.S. PATENT DOCUMENTS**

D447,373 S \* 9/2001 Fisscher ..... D6/518  
D448,222 S \* 9/2001 Fisscher ..... D6/518

D449,475 S \* 10/2001 Ehrensperger ..... D6/522  
D457,368 S \* 5/2002 Omdoll et al. .... D6/522  
D522,781 S \* 6/2006 Wieser et al. .... D6/518  
D525,465 S \* 7/2006 Omdoll et al. .... D6/518  
D550,999 S \* 9/2007 Formon et al. .... D6/518

\* cited by examiner

*Primary Examiner*—Brian N Vinson  
(74) *Attorney, Agent, or Firm*—Young & Thompson

(57) **CLAIM**

The ornamental design for an automatic towel dispenser, as shown.

**DESCRIPTION**

FIG. 1 is a top, front and side perspective view of an automatic towel dispenser, showing our new design;

FIG. 2 is a front elevational view thereof;

FIG. 3 is a view thereof from the left of FIG. 2;

FIG. 4 is a top plan view thereof;

FIG. 5 is a rear elevational view thereof;

FIG. 6 is a bottom plan view thereof; and,

FIG. 7 is a view thereof from the left of FIG. 5.

**1 Claim, 3 Drawing Sheets**

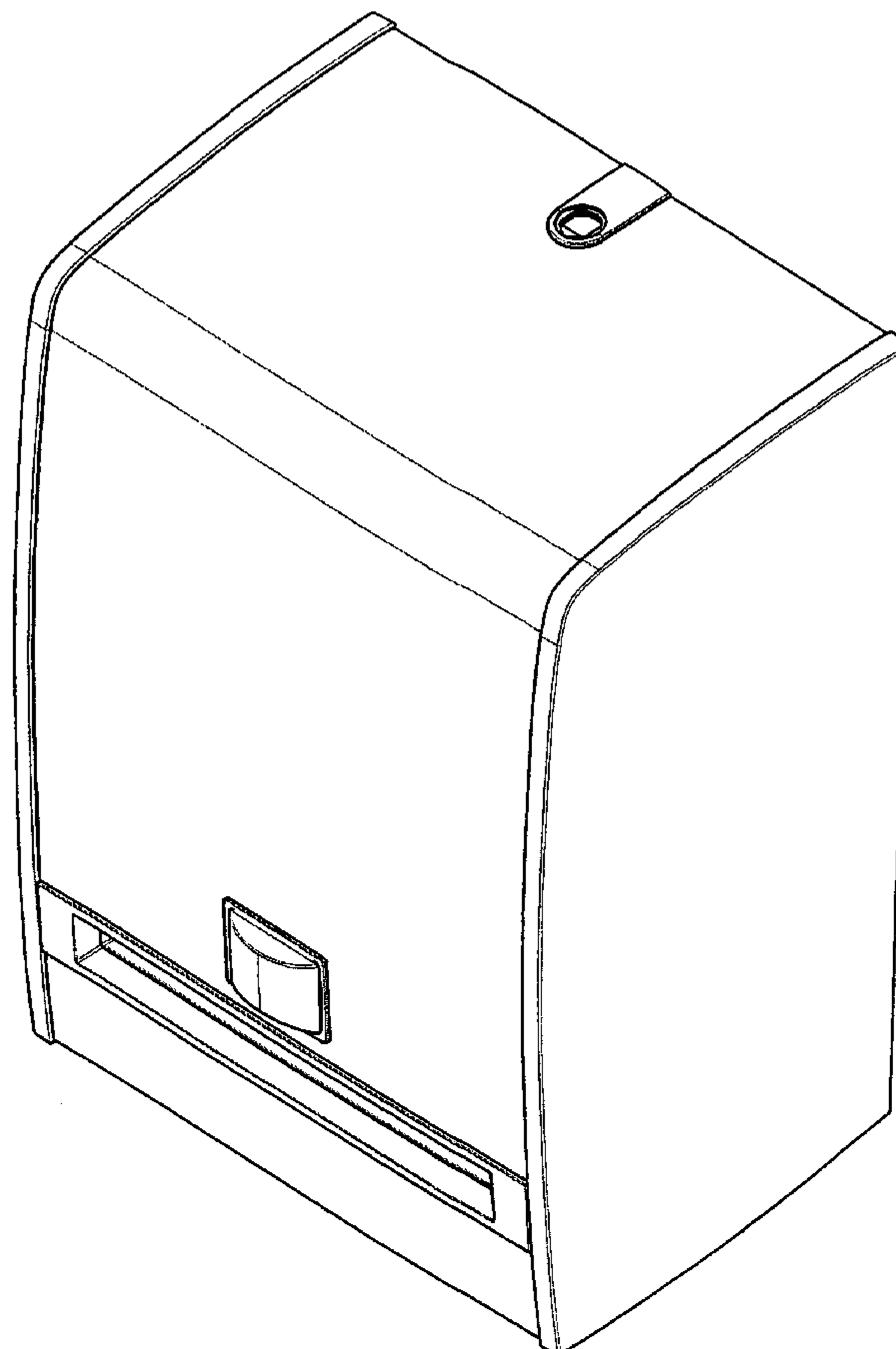


FIG.1

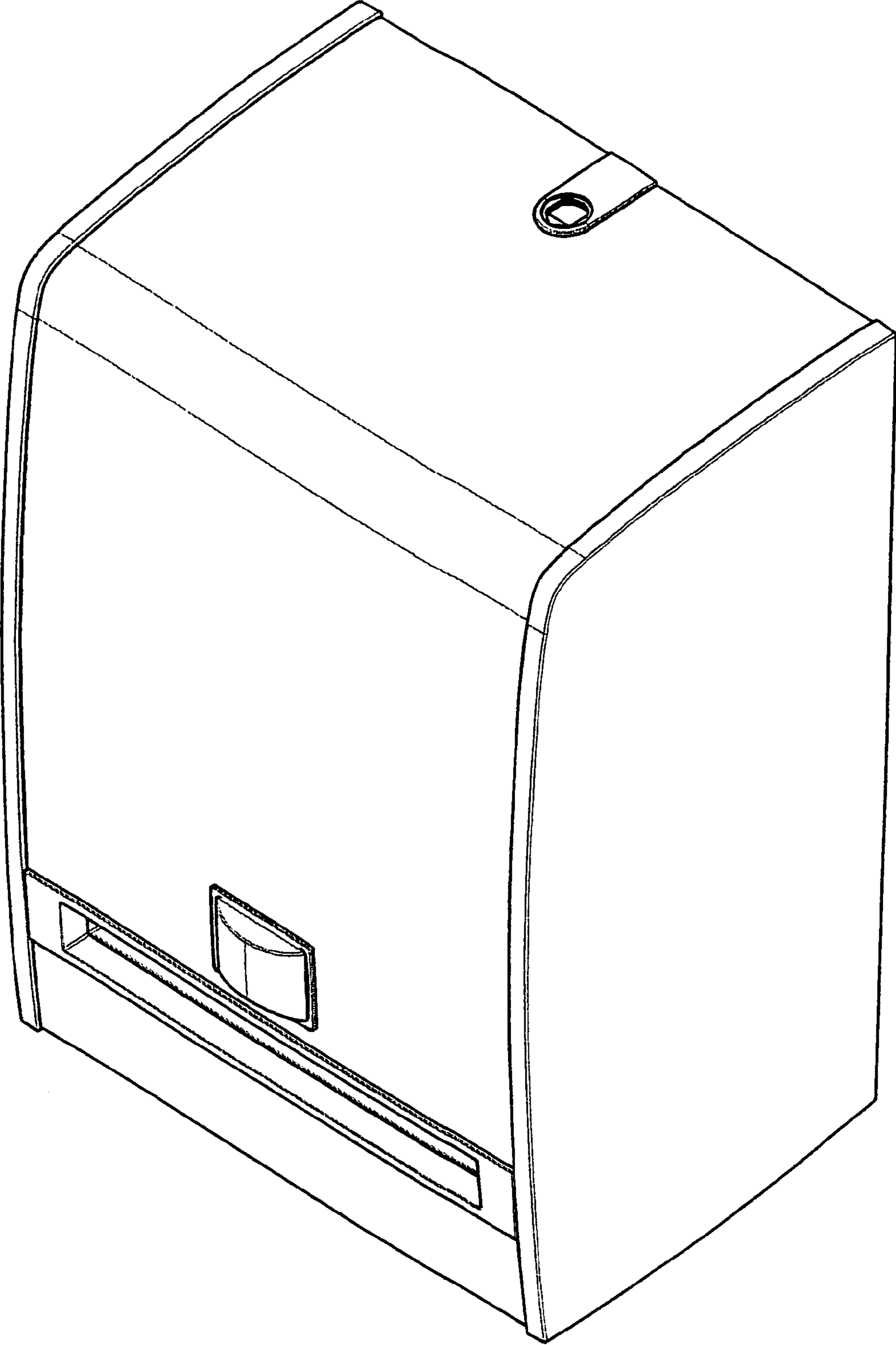


FIG. 2

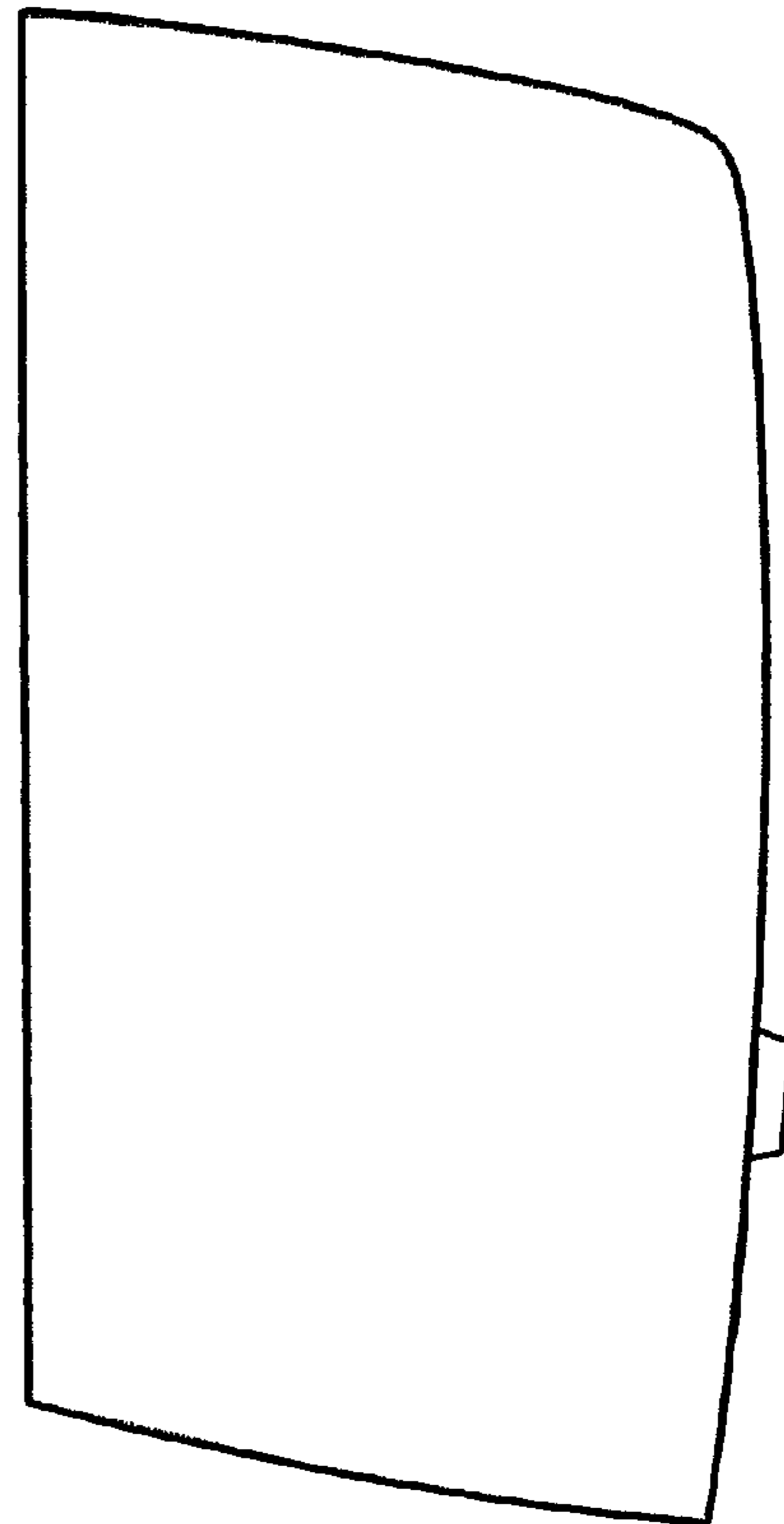
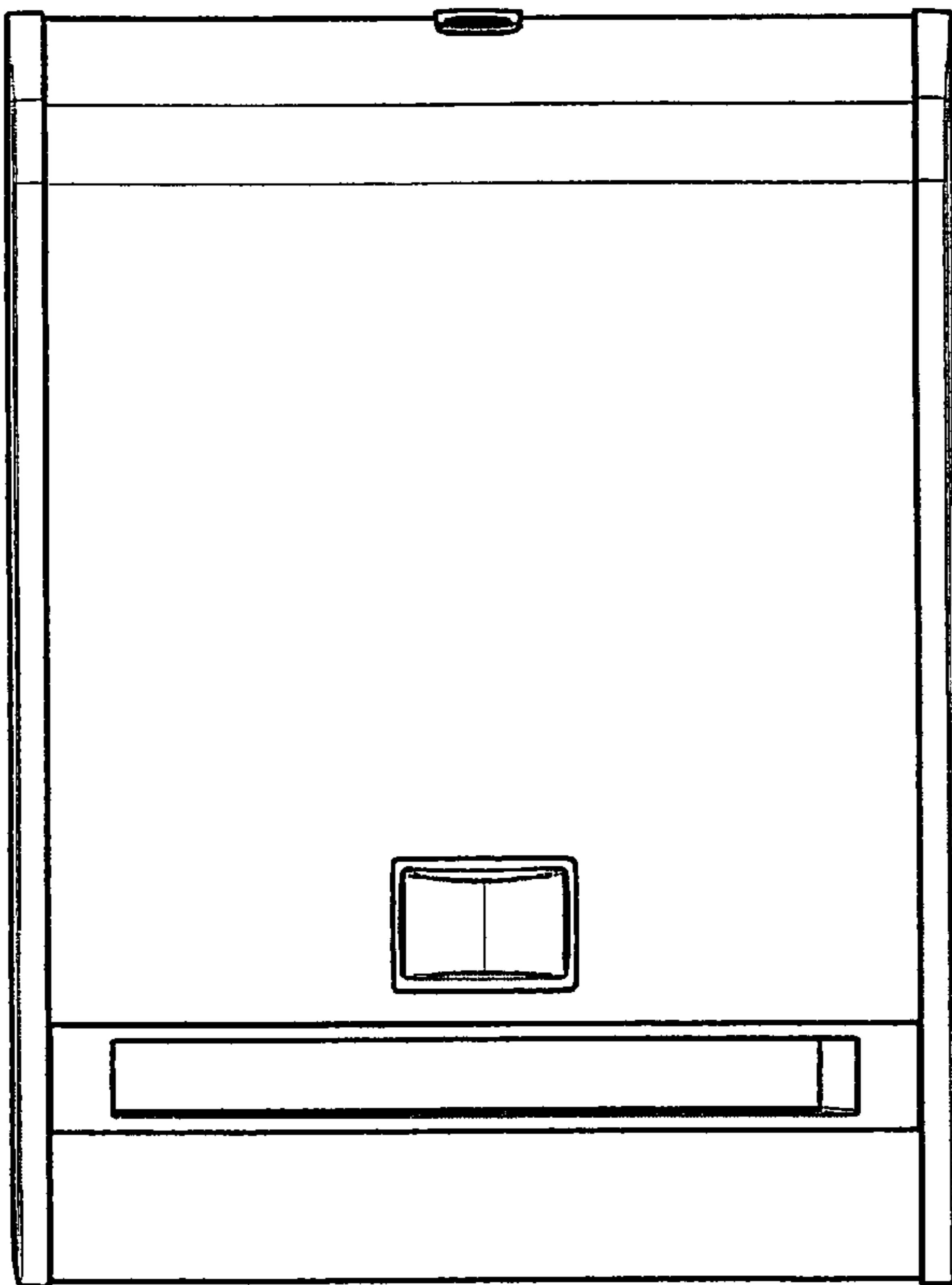


FIG. 3

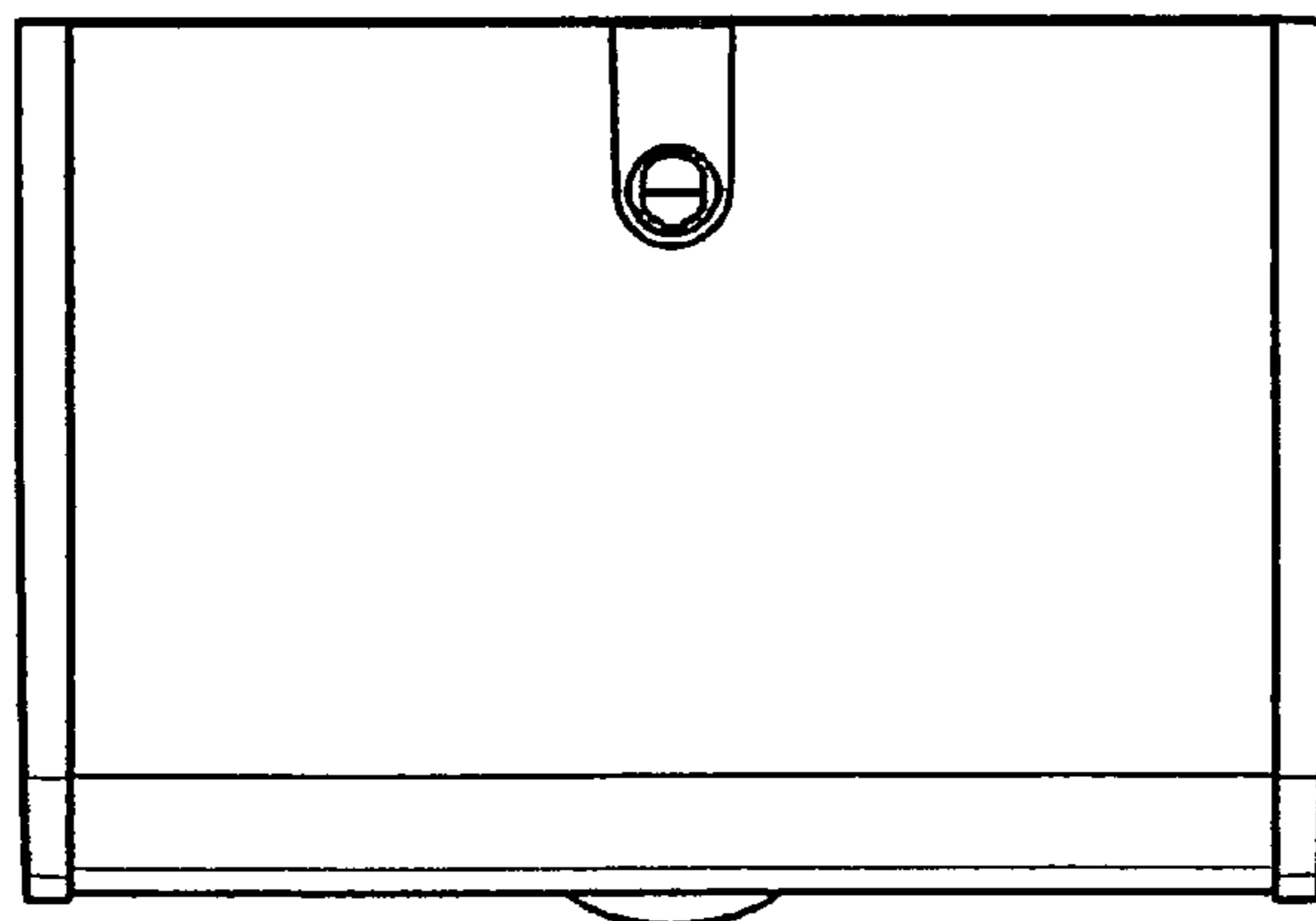


FIG. 4

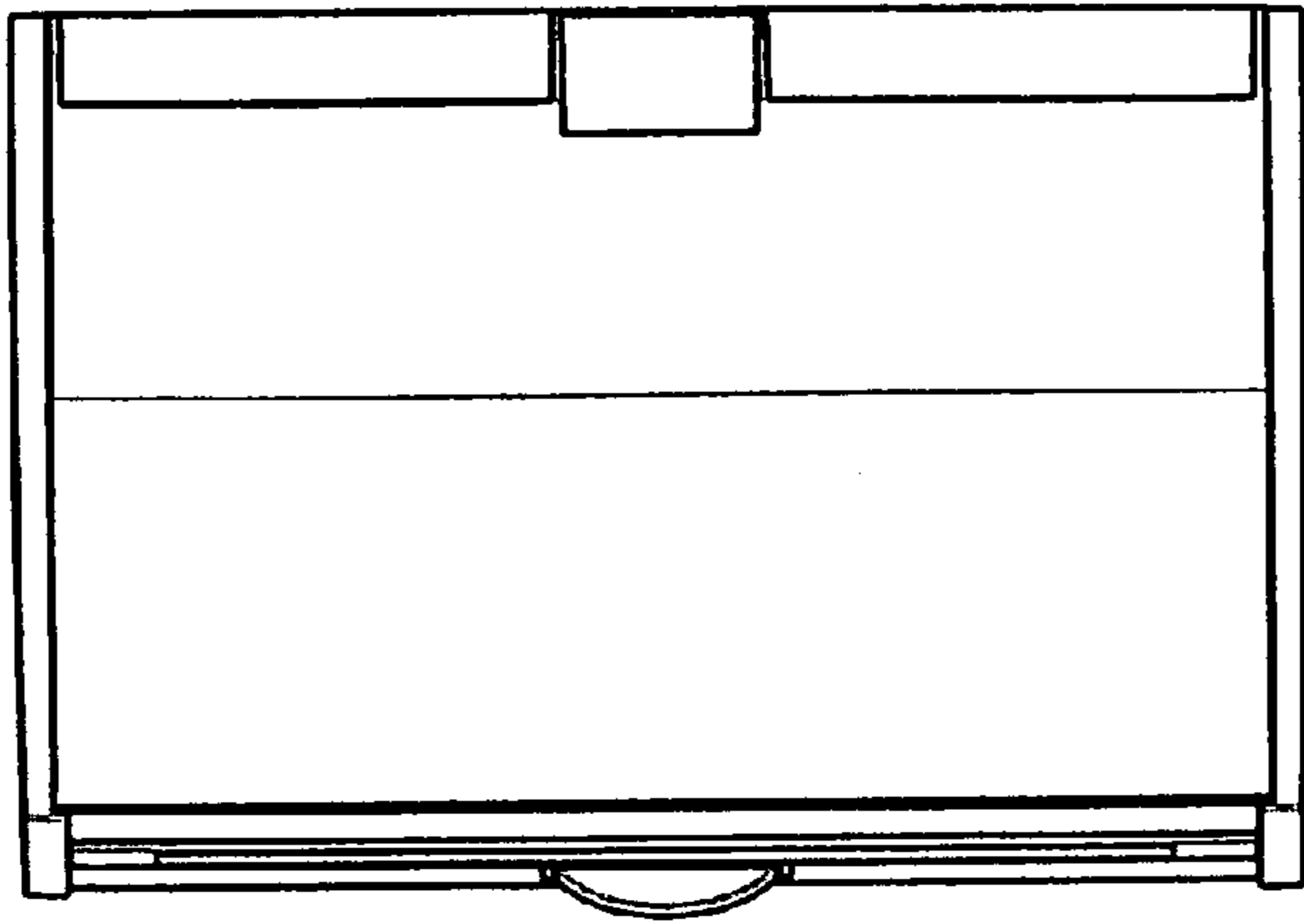


FIG. 6

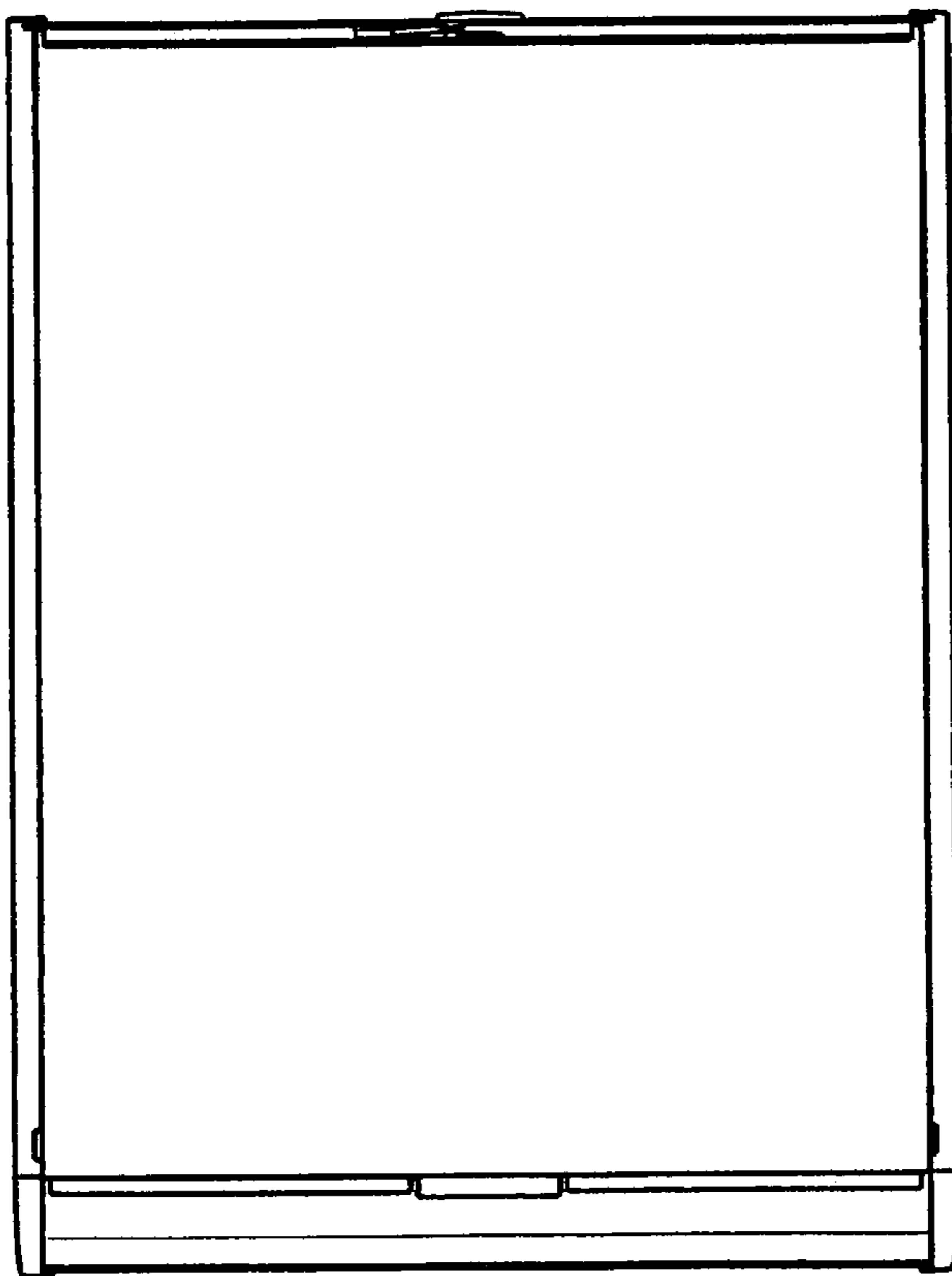


FIG. 5

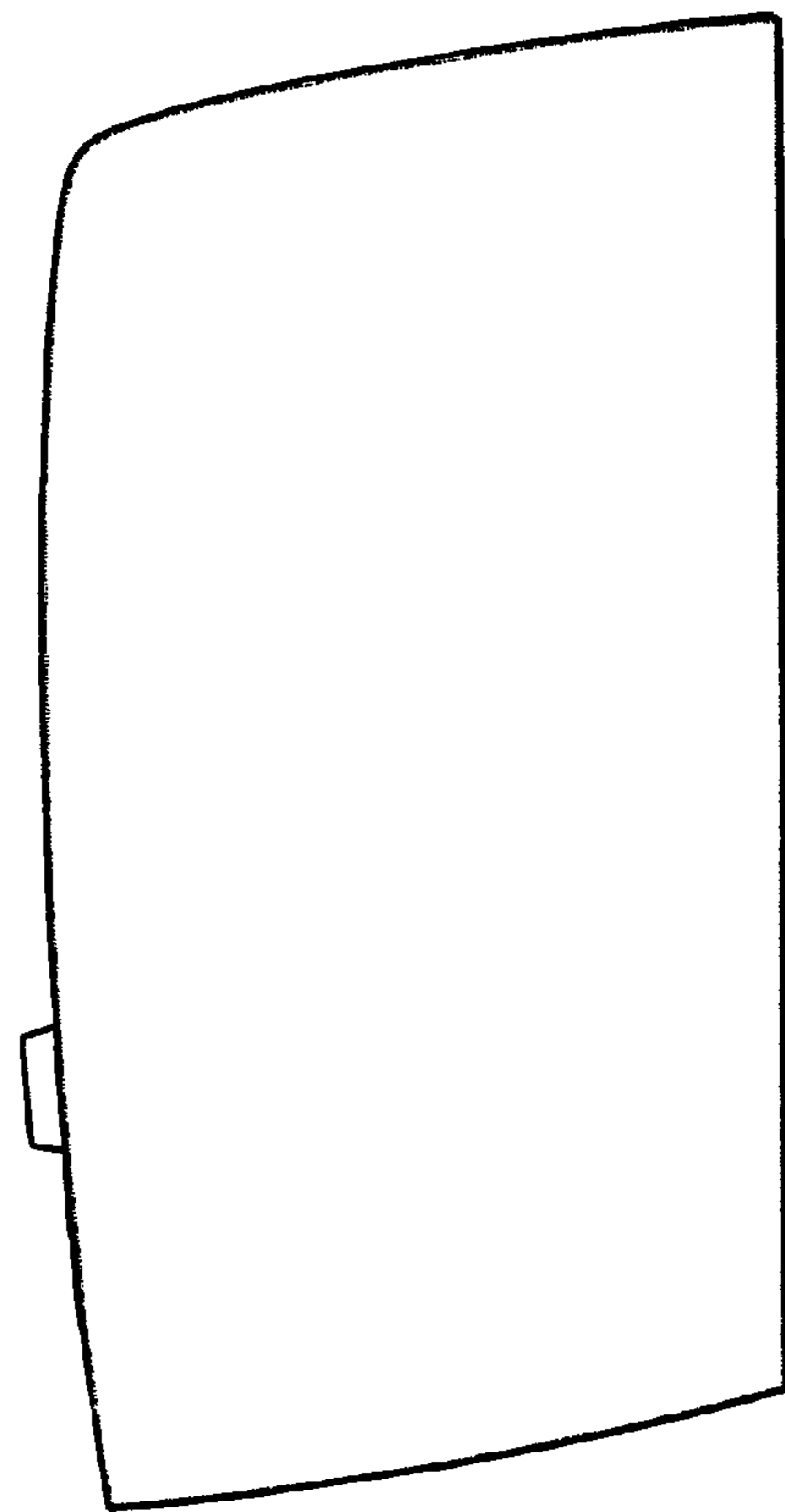


FIG. 7