

US00D564266S

(12) **United States Design Patent**
Goodman et al.

(10) **Patent No.:** **US D564,266 S**
(45) **Date of Patent:** **** Mar. 18, 2008**

(54) **PLASTIC BAG HOLDER**

(75) Inventors: **Sheldon H. Goodman**, Solon, OH
(US); **Justin J. Myers**, Strongsville,
OH (US)

(73) Assignee: **Spectrum Diversified Designs, Inc.**,
Streetsboro, OH (US)

(**) Term: **14 Years**

(21) Appl. No.: **29/278,743**

(22) Filed: **Apr. 9, 2007**

(51) **LOC (8) Cl.** **20-02**

(52) **U.S. Cl.** **D6/515**

(58) **Field of Classification Search** D6/515-523,
D6/566, 567; D3/201, 304; 206/389, 391;
211/13.1, 86.01, 71.01, 181.1; 242/580,
242/309.1

See application file for complete search history.

(56) **References Cited**

U.S. PATENT DOCUMENTS

- D335,411 S * 5/1993 Martens D6/520
- D378,641 S * 4/1997 Beckenlehner et al. D6/520
- D390,054 S * 2/1998 Goodman D6/522
- D393,389 S * 4/1998 Thurston-Chartraw
et al. D6/523

- D395,184 S * 6/1998 St-Pierre et al. D6/517
- D525,812 S * 8/2006 Goodman et al. D6/520
- D541,564 S * 5/2007 Snell D6/520
- D542,581 S * 5/2007 Goodman et al. D6/520

* cited by examiner

Primary Examiner—Brian N Vinson

(74) *Attorney, Agent, or Firm*—Pearne & Gordon LLP

(57) **CLAIM**

The ornamental design for a plastic bag holder, as shown and described.

DESCRIPTION

FIG. 1 is a perspective view of a plastic bag holder showing our new design;

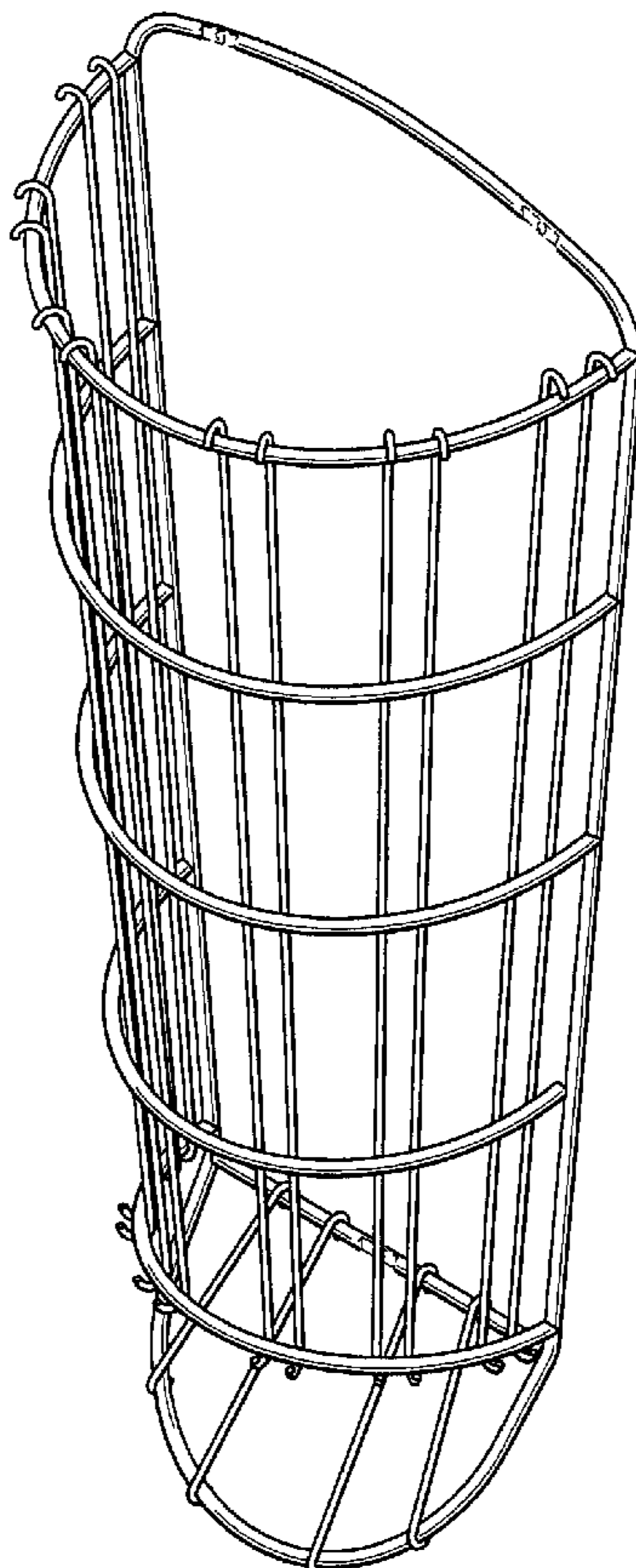
FIG. 2 is a front elevational view thereof;

FIG. 3 is a side elevational view thereof; and,

FIG. 4 is a perspective view of a second embodiment of a plastic bag holder. The jagged broken lines form no part of the claimed design and the subject matter between the jagged lines is broken away to disclose indeterminate height of the holder.

The dotted-line disclosure of elements in the views is for illustrative purposes only and forms no part of the claimed design.

1 Claim, 2 Drawing Sheets



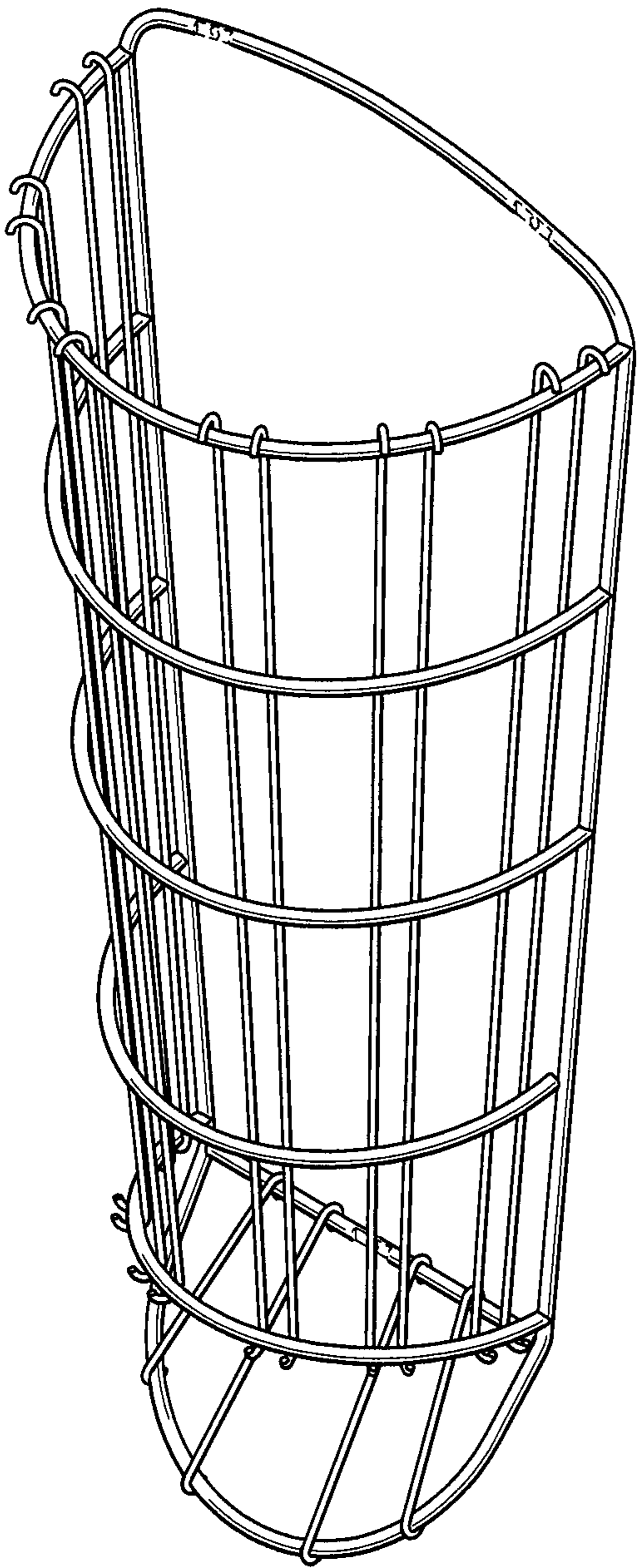


FIG. 1

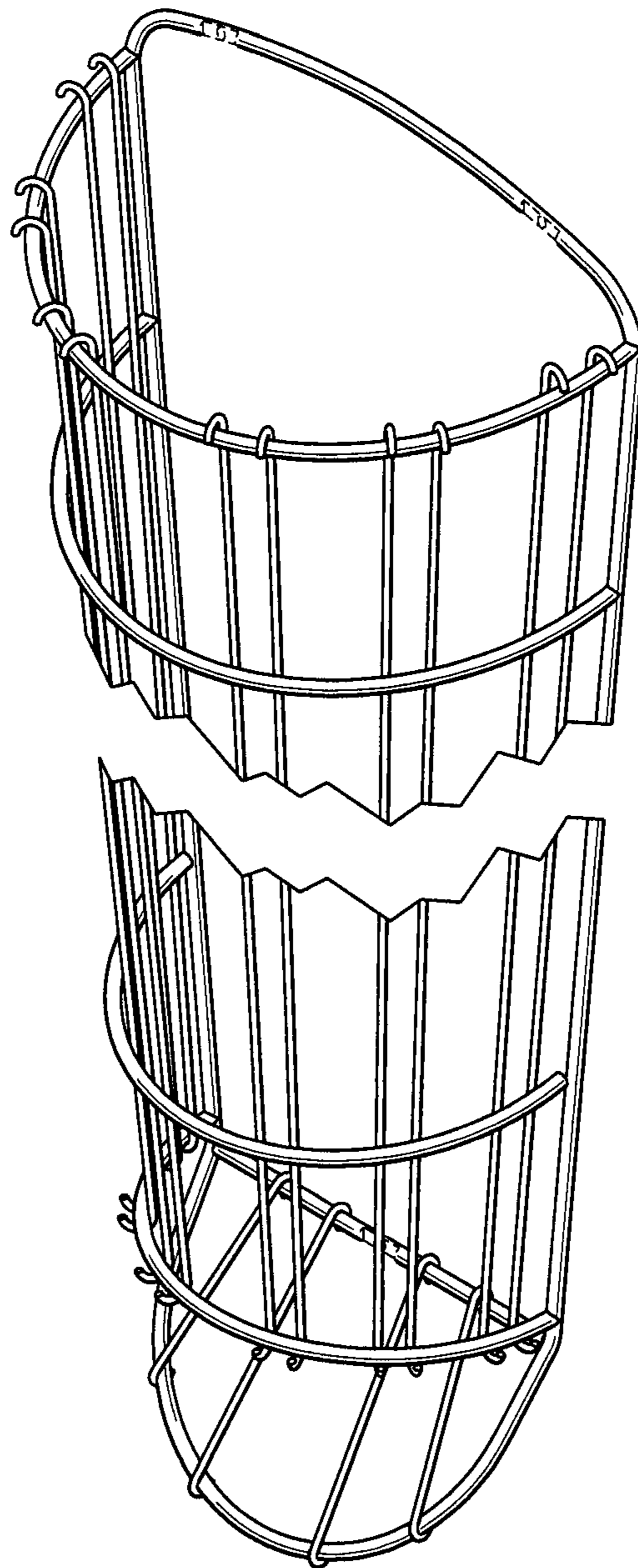


FIG. 4

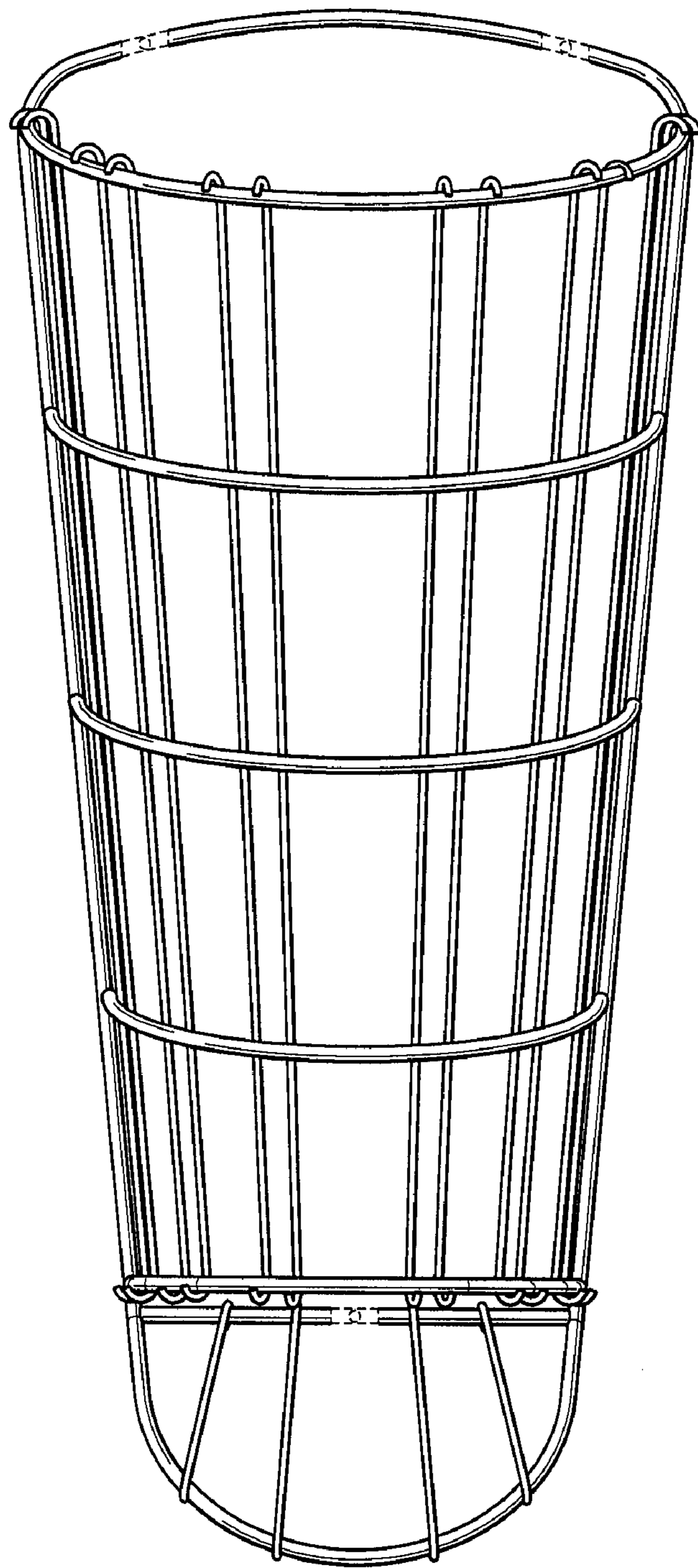


FIG. 2

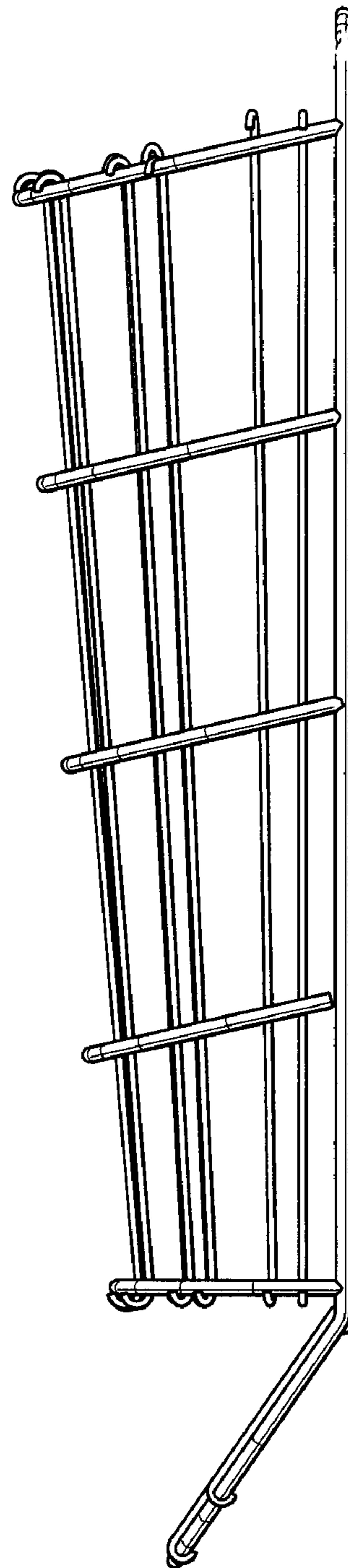


FIG. 3