



US00D564264S

(12) **United States Design Patent**
Smith et al.

(10) **Patent No.:** **US D564,264 S**
(45) **Date of Patent:** **** Mar. 18, 2008**

(54) **SEATING UNIT**

2,668,584 A 2/1954 Greitzer
2,670,226 A 2/1954 Becker

(75) Inventors: **Bruce M. Smith**, Grand Rapids, MI (US); **James N. Ludwig**, Grand Rapids, MI (US); **Terence Sean Yoo**, Grand Rapids, MI (US)

(Continued)

FOREIGN PATENT DOCUMENTS

(73) Assignee: **Steelcase Development Corporation**, Caledonia, MI (US)

GB 2072004 9/1981

(**) Term: **14 Years**

(Continued)

(21) Appl. No.: **29/258,877**

Primary Examiner—Mimosa De

(22) Filed: **Apr. 28, 2006**

(74) *Attorney, Agent, or Firm*—Price, Heneveld, Cooper, DeWitt & Litton LLP

(51) **LOC (8) Cl.** **06-01**

(52) **U.S. Cl.** **D6/500**

(58) **Field of Classification Search** D6/334–336,
D6/360, 366, 371–376, 379, 380, 500–502;
297/232, 239, 411.2, 411.25, 411.29, 445.1,
297/446.1

(57) **CLAIM**

We claim the ornamental design for a seating unit, as shown and described.

See application file for complete search history.

DESCRIPTION

(56) **References Cited**

U.S. PATENT DOCUMENTS

426,048 A	4/1890	Neill
1,205,541 A	11/1916	Hoehn
1,399,183 A	12/1921	Bicker
1,531,916 A	3/1925	Flintjer
1,674,220 A	6/1928	Percival
1,928,857 A	10/1933	Kelly
2,149,665 A	3/1939	Box
2,253,825 A	8/1941	Tully
2,276,308 A	3/1942	Hugh
2,281,902 A	5/1942	Witz
2,306,878 A	12/1942	Greitzer
2,318,776 A	5/1943	Haug
2,440,470 A	4/1948	Greitzer
2,460,027 A	1/1949	Nash
2,467,664 A	4/1949	Glenn
2,525,126 A	10/1950	Greitzer
2,575,221 A	11/1951	Horner et al.
2,587,822 A	3/1952	Corning
2,630,857 A	3/1953	Cohen

FIG. 1 is a perspective view of a seating unit embodying the present invention.

FIG. 2 is a front view of the seating unit shown in FIG. 1. FIG. 3 is a left side view of the seating unit shown in FIG. 1, the right side being a mirror image thereof.

FIGS. 4–6 are rear, top, and bottom views, respectively, of the seating unit shown in FIG. 1.

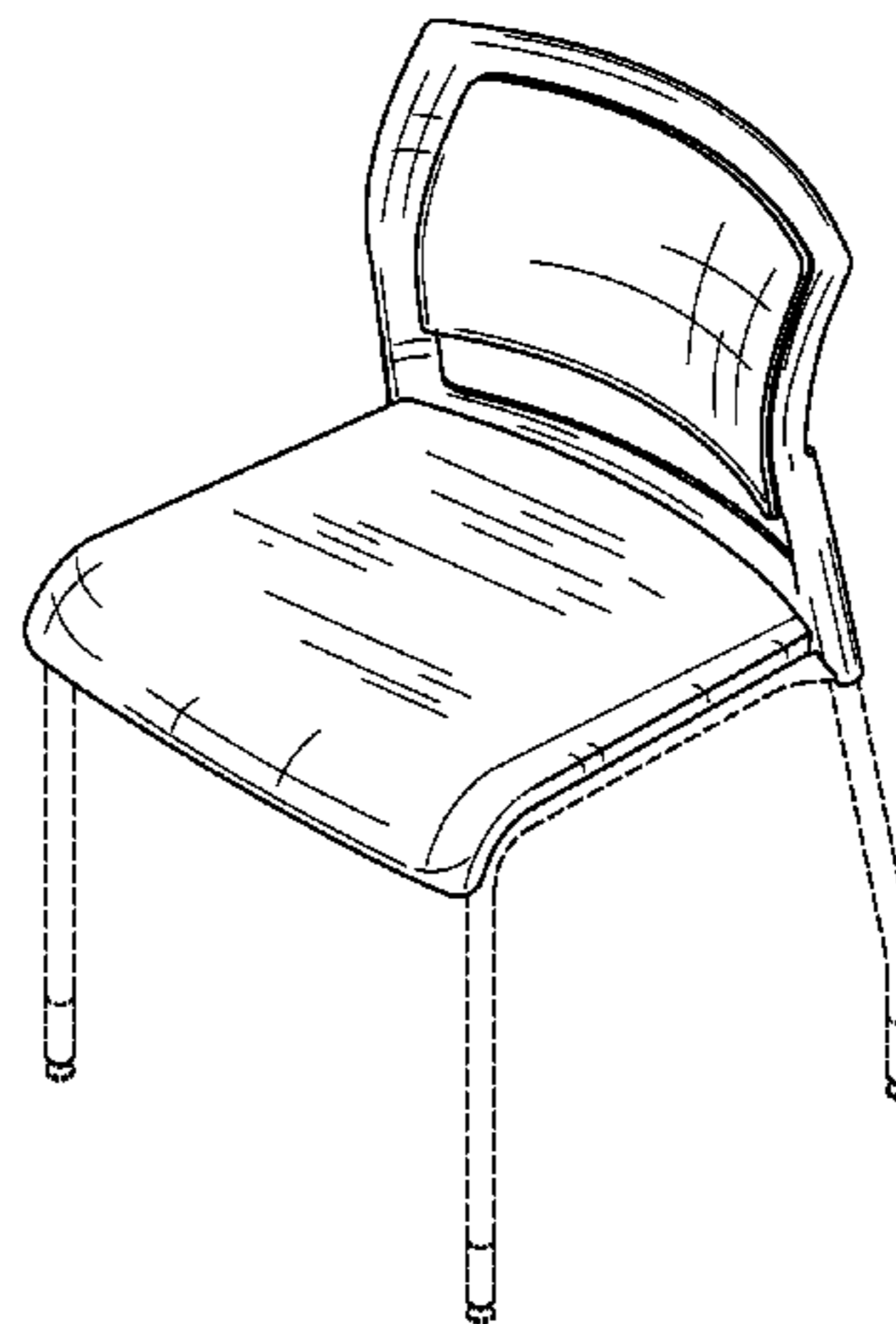
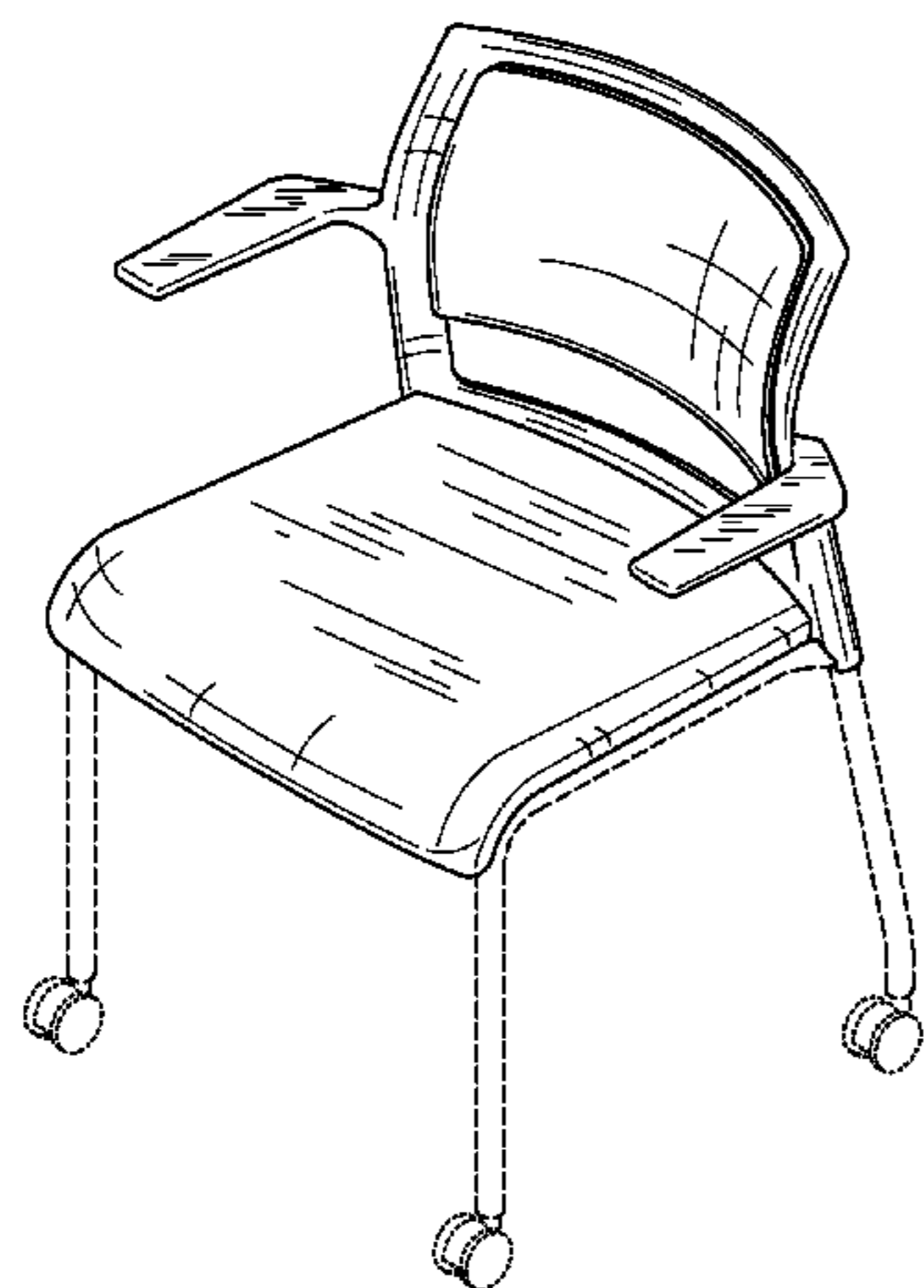
FIG. 7 is a perspective view of a second embodiment of a seating unit embodying the present invention.

FIG. 8 is a front view of the seating unit shown in FIG. 7. FIG. 9 is a left side view of the seating unit shown in FIG. 7, the right side being a mirror image thereof; and,

FIGS. 10–12 are rear, top, and bottom views, respectively, of the seating unit shown in FIG. 7.

The dashed lines in FIGS. 1–12 are to show the environment, but do not form a part of the claimed invention.

1 Claim, 6 Drawing Sheets



US D564,264 S

U.S. PATENT DOCUMENTS

2,755,114 A 7/1956 Becker
 2,831,715 A 4/1958 Becker
 2,847,062 A 8/1958 Henrikson et al.
 2,939,733 A 6/1960 Bogar, Jr.
 2,955,646 A 10/1960 Briggs
 3,003,817 A 10/1961 King
 3,028,184 A 4/1962 Knowlton
 3,036,864 A 4/1962 Arai
 3,058,777 A 10/1962 Froedge
 3,080,194 A 3/1963 Rowland
 3,111,344 A 11/1963 Hoven et al.
 D197,644 S 3/1964 Sundberg et al.
 3,328,075 A 6/1967 Albinson
 3,329,465 A 7/1967 King
 3,336,078 A 8/1967 Haley
 3,365,233 A 1/1968 Uyeda et al.
 D224,952 S 10/1972 Wilson
 D225,195 S 11/1972 Lange
 3,724,897 A 4/1973 Faiks et al.
 3,734,561 A 5/1973 Barecki et al.
 3,850,476 A 11/1974 Day
 3,947,068 A 3/1976 Buhk
 3,983,614 A 10/1976 Koepke et al.
 3,990,745 A 11/1976 Rodaway
 4,066,295 A 1/1978 Severson
 4,157,203 A 6/1979 Ambasz
 D259,598 S 6/1981 Locher
 4,285,544 A 8/1981 Zapf
 4,305,617 A 12/1981 Benoit
 4,333,683 A 6/1982 Ambasz
 4,395,071 A 7/1983 Laird
 4,418,958 A 12/1983 Watkin
 4,474,717 A 10/1984 Hendry
 4,492,409 A 1/1985 Laird
 4,529,247 A 7/1985 Stumpf et al.
 4,548,441 A 10/1985 Ogg
 4,549,764 A 10/1985 Haedo
 D281,941 S 12/1985 Ambasz et al.
 4,557,521 A 12/1985 Lange
 4,580,836 A 4/1986 Verney
 4,603,904 A 8/1986 Tolleson et al.
 4,660,887 A 4/1987 Fleming et al.
 4,718,153 A 1/1988 Armitage et al.
 4,733,910 A 3/1988 Brennan
 4,869,552 A 9/1989 Tolleson et al.
 4,871,209 A 10/1989 Handelman
 4,892,356 A 1/1990 Pittman et al.
 4,903,354 A 2/1990 Yeh
 4,913,496 A 4/1990 Oke
 4,919,485 A 4/1990 Guichion
 4,932,720 A 6/1990 Sherman
 4,938,530 A 7/1990 Snyder et al.
 D317,381 S 6/1991 Fulcheri
 5,039,163 A 8/1991 Tolleson
 5,048,894 A 9/1991 Miyajima et al.
 5,050,931 A 9/1991 Knoblock
 5,064,247 A 11/1991 Clark et al.
 5,104,192 A 4/1992 Gianfranchi
 5,123,702 A 6/1992 Caruso
 5,139,714 A 8/1992 Hettinga
 5,269,589 A 12/1993 Brothers et al.
 D352,183 S 11/1994 Sheridan
 5,370,474 A 12/1994 Olson
 5,383,712 A 1/1995 Perry
 5,411,316 A 5/1995 Lovgrove et al.
 5,419,617 A 5/1995 Schultz
 5,429,417 A 7/1995 Kim
 D367,185 S 2/1996 Olson
 D367,982 S 3/1996 Stirling et al.

D373,273 S 9/1996 Zapf
 D378,553 S 3/1997 Newhouse
 5,609,395 A 3/1997 Burch
 5,630,643 A 5/1997 Scholten et al.
 5,697,673 A 12/1997 Favaretto
 5,810,438 A 9/1998 Newhouse
 D405,285 S 2/1999 Balderi et al.
 5,895,096 A 4/1999 Massara
 5,961,184 A 10/1999 Balderi et al.
 5,997,094 A 12/1999 Cvek
 D423,805 S 5/2000 Olson
 D426,970 S * 6/2000 Kolberg D6/374
 6,109,696 A 8/2000 Newhouse
 6,135,562 A 10/2000 Infanti
 6,220,661 B1 4/2001 Peterson
 6,250,718 B1 6/2001 Newhouse et al.
 D455,570 S 4/2002 Kita
 D455,571 S 4/2002 Van De Riet et al.
 D456,164 S * 4/2002 Vanderiet et al. D6/374
 D457,007 S * 5/2002 Pearce et al. D6/379
 6,382,719 B1 5/2002 Heidmann et al.
 6,409,268 B1 6/2002 Cvek
 6,425,637 B1 7/2002 Peterson
 D464,208 S 10/2002 Kwon
 D466,712 S 12/2002 Haney et al.
 6,499,801 B1 12/2002 Peterson et al.
 6,508,509 B2 1/2003 Peterson
 D470,670 S 2/2003 Meyer
 D472,723 S 4/2003 Haney et al.
 D472,745 S 4/2003 Haney et al.
 6,540,302 B1 4/2003 Crocker et al.
 6,558,306 B2 5/2003 Lowry et al.
 6,612,654 B2 9/2003 Laws et al.
 6,637,823 B1 10/2003 Ursini et al.
 6,644,749 B2 11/2003 VanDeRiet et al.
 6,670,555 B2 12/2003 Ota et al.
 6,688,687 B2 2/2004 Chu
 D487,197 S 3/2004 Edwards et al.
 6,722,741 B2 4/2004 Stumpf et al.
 6,726,278 B1 4/2004 Albright et al.
 D490,622 S 6/2004 Olson
 6,755,467 B1 6/2004 Chu
 6,811,215 B2 11/2004 Horiki et al.
 6,837,546 B2 1/2005 VanDeRiet et al.
 6,849,227 B2 2/2005 Funk et al.
 6,880,215 B2 4/2005 Peterson
 D505,801 S * 6/2005 Cesaroni et al. D6/379
 6,935,698 B1 8/2005 Chen
 6,955,402 B2 10/2005 VanDeRiet et al.
 6,969,121 B2 11/2005 Drajan
 D512,846 S * 12/2005 Goodworth D6/374
 D543,374 S * 5/2007 Huerlimann D6/380
 D546,574 S * 7/2007 Kaloustian D6/374
 D547,963 S * 8/2007 Olano D6/379
 2003/0168901 A1 9/2003 Wilkerson et al.
 2003/0193229 A1 10/2003 VanDeRiet et al.
 2004/0251729 A1 12/2004 Olson
 2005/0206212 A1 9/2005 Peterson
 2005/0269850 A1 12/2005 York et al.

FOREIGN PATENT DOCUMENTS

JP 139308 11/1978
 JP 62-193456 8/1987
 JP 41-16757 10/1992
 JP 408090951 A 3/1996
 JP 408228882 A 9/1996
 JP 408228883 A 9/1996
 JP 410179325 A 7/1998

* cited by examiner

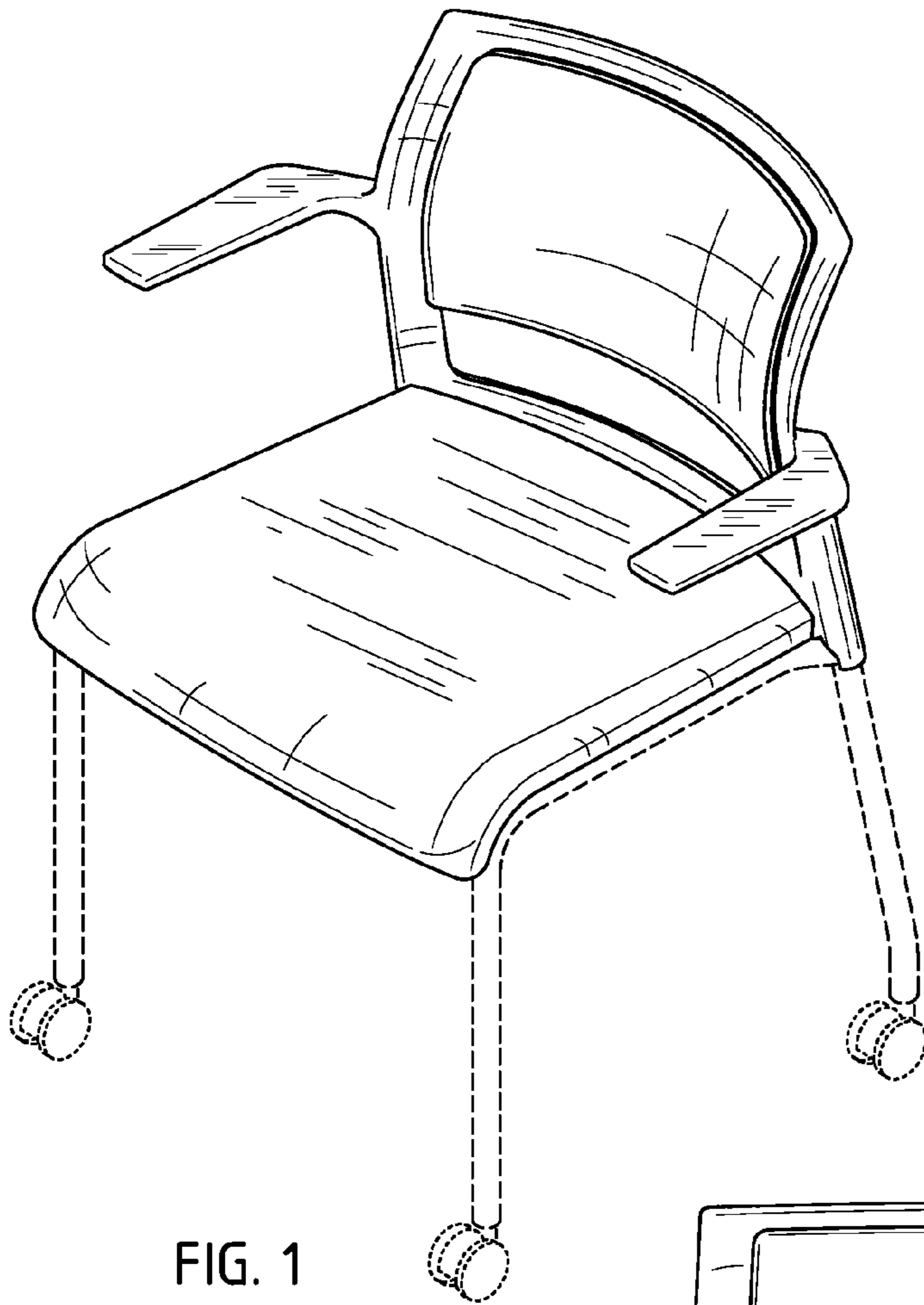


FIG. 1

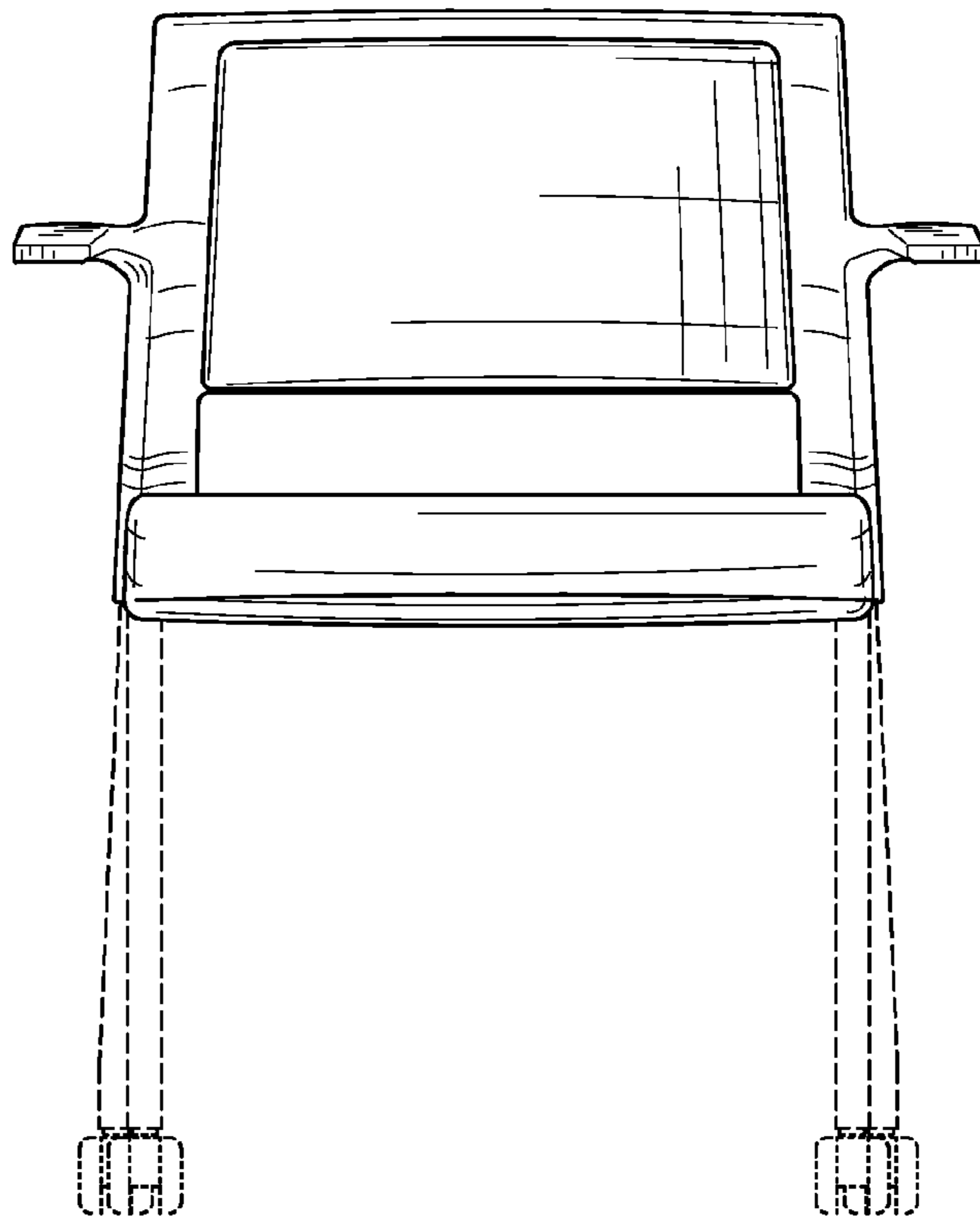


FIG. 2

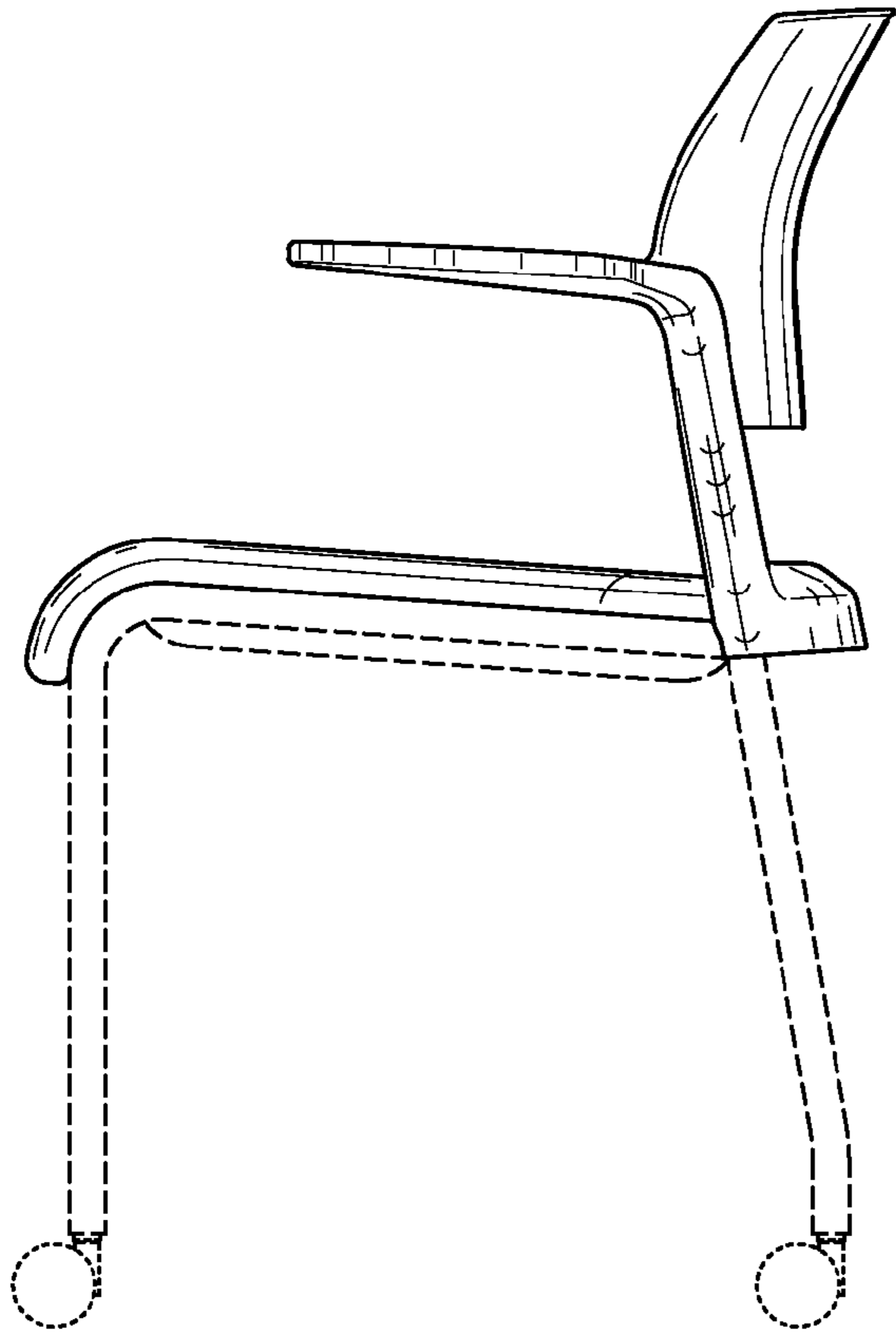


FIG. 3

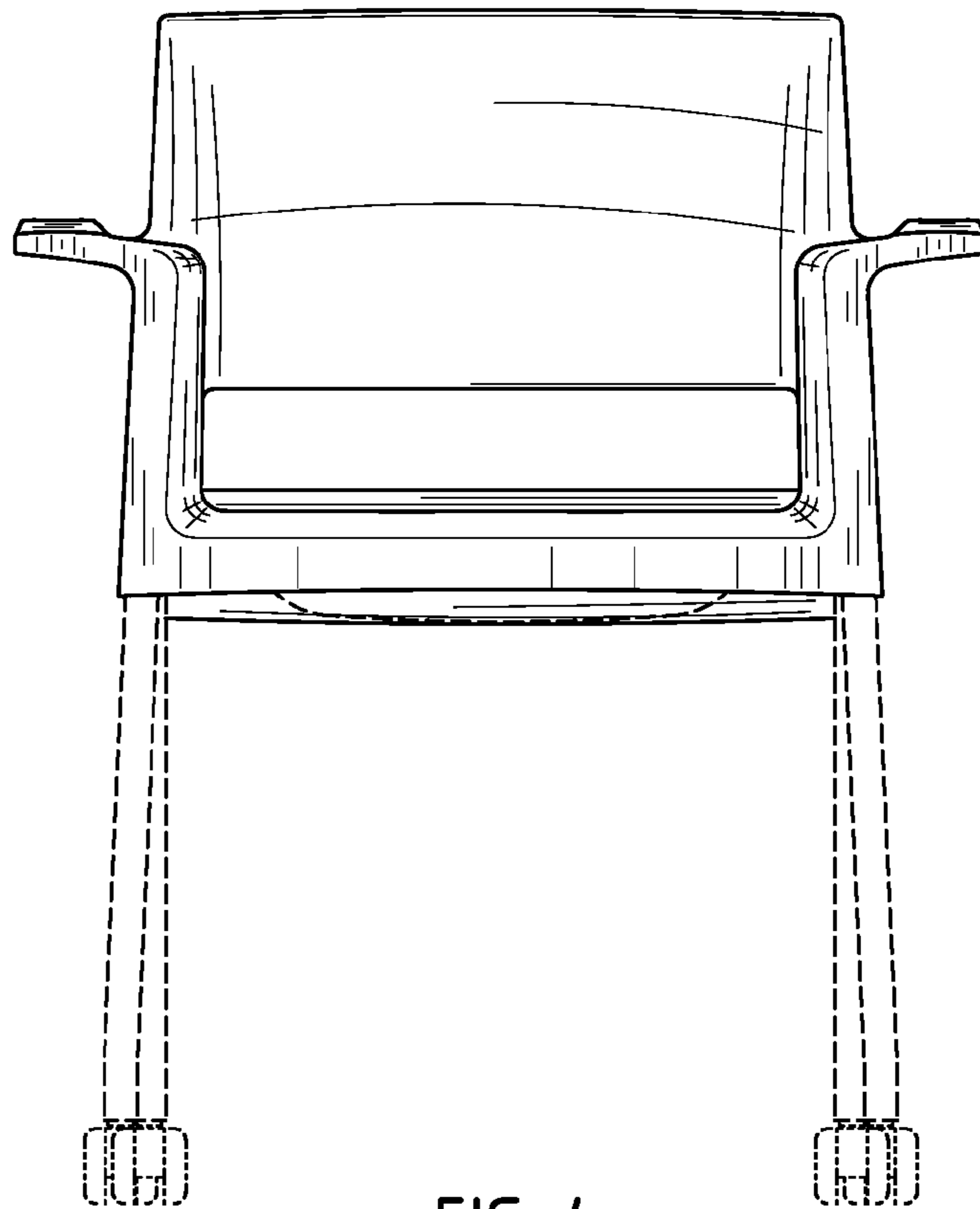


FIG. 4

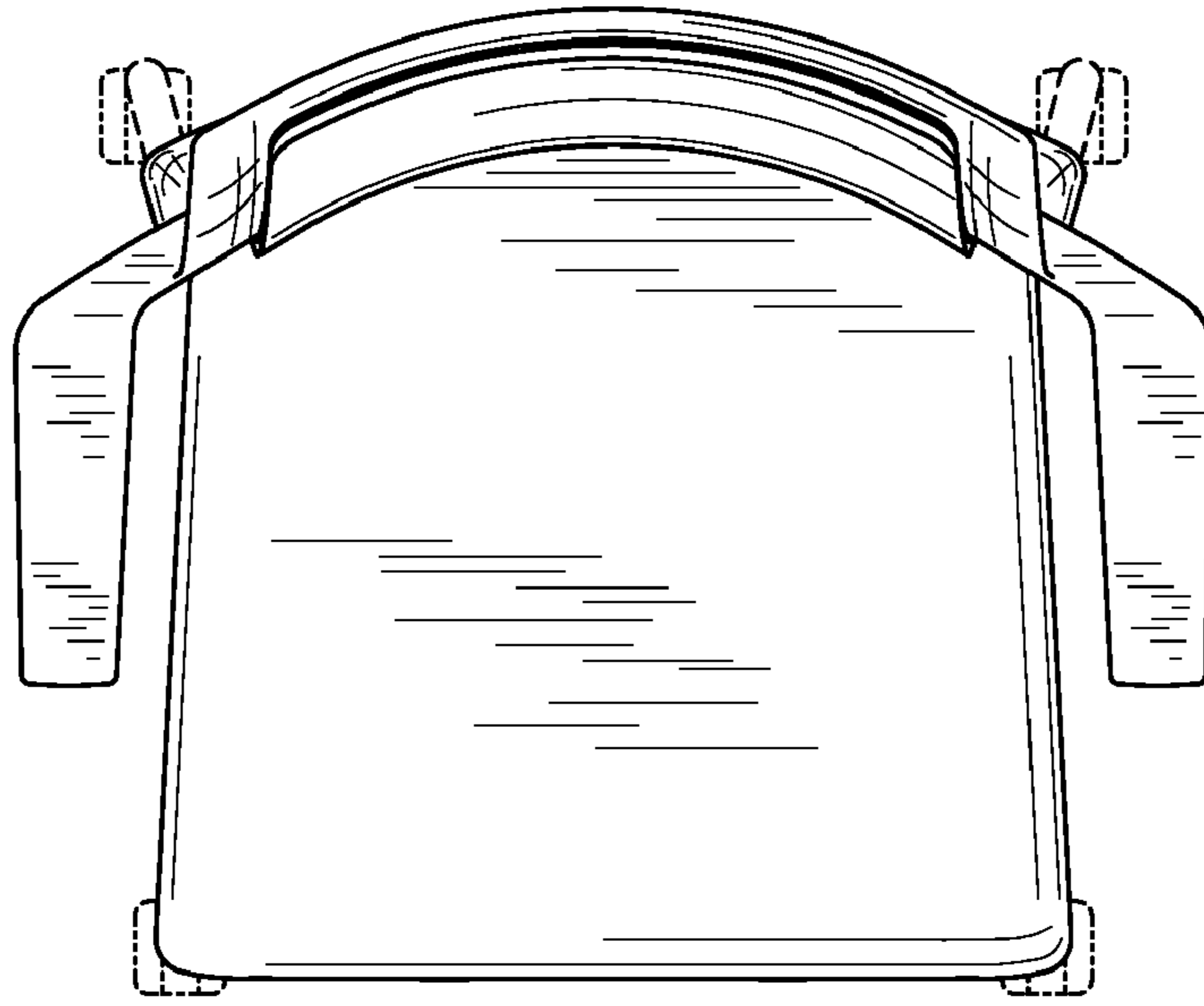


FIG. 5

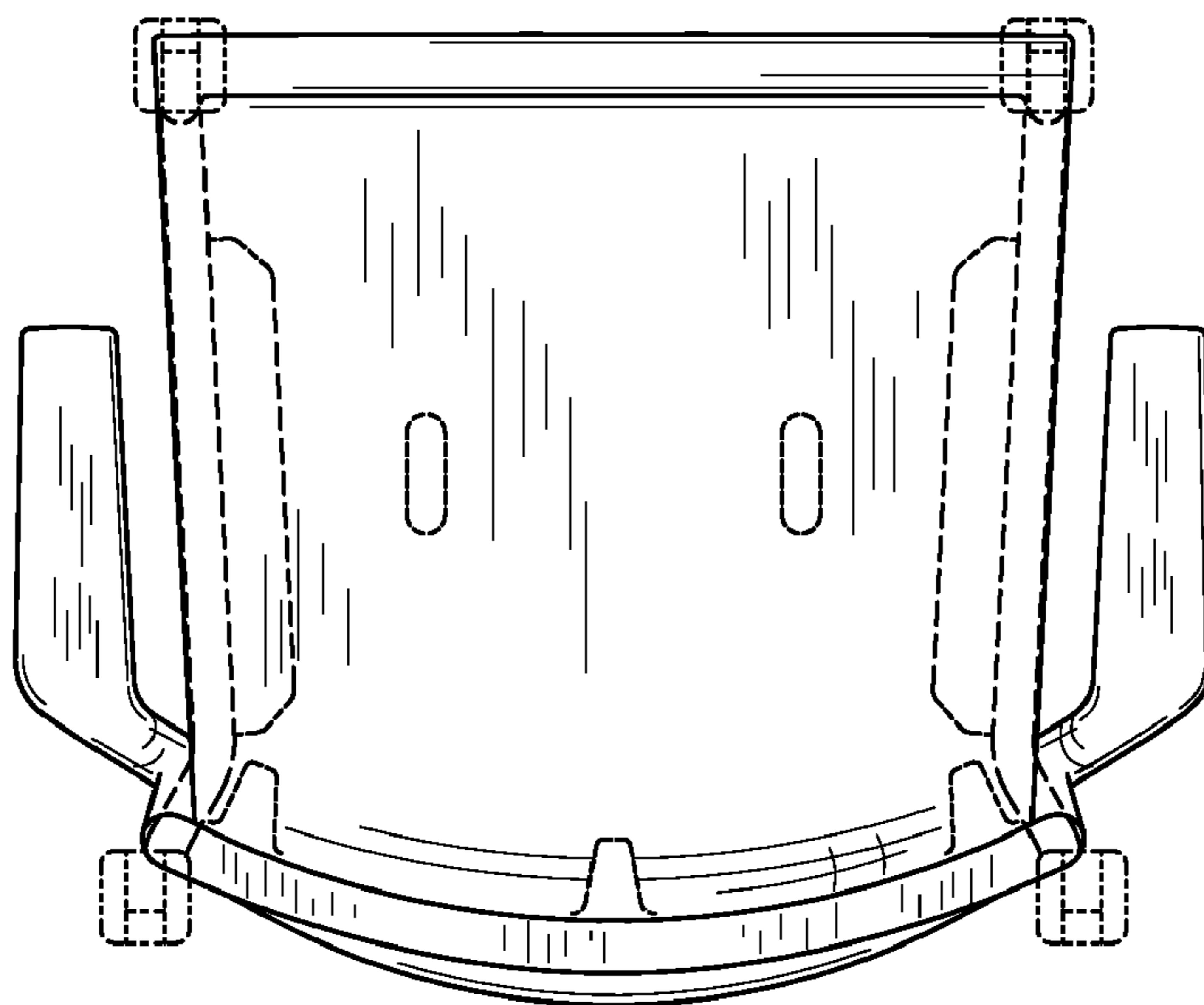


FIG. 6

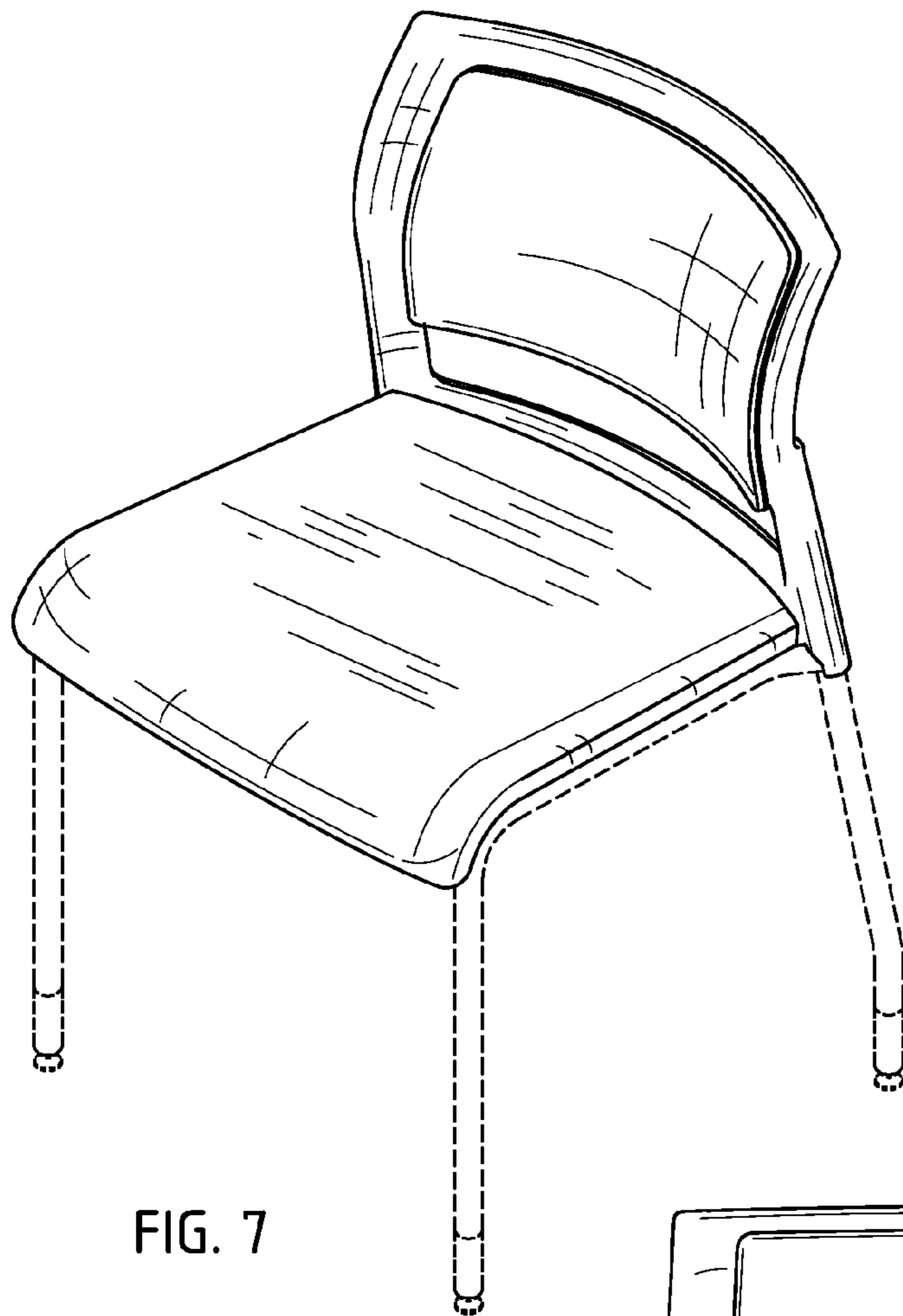


FIG. 7

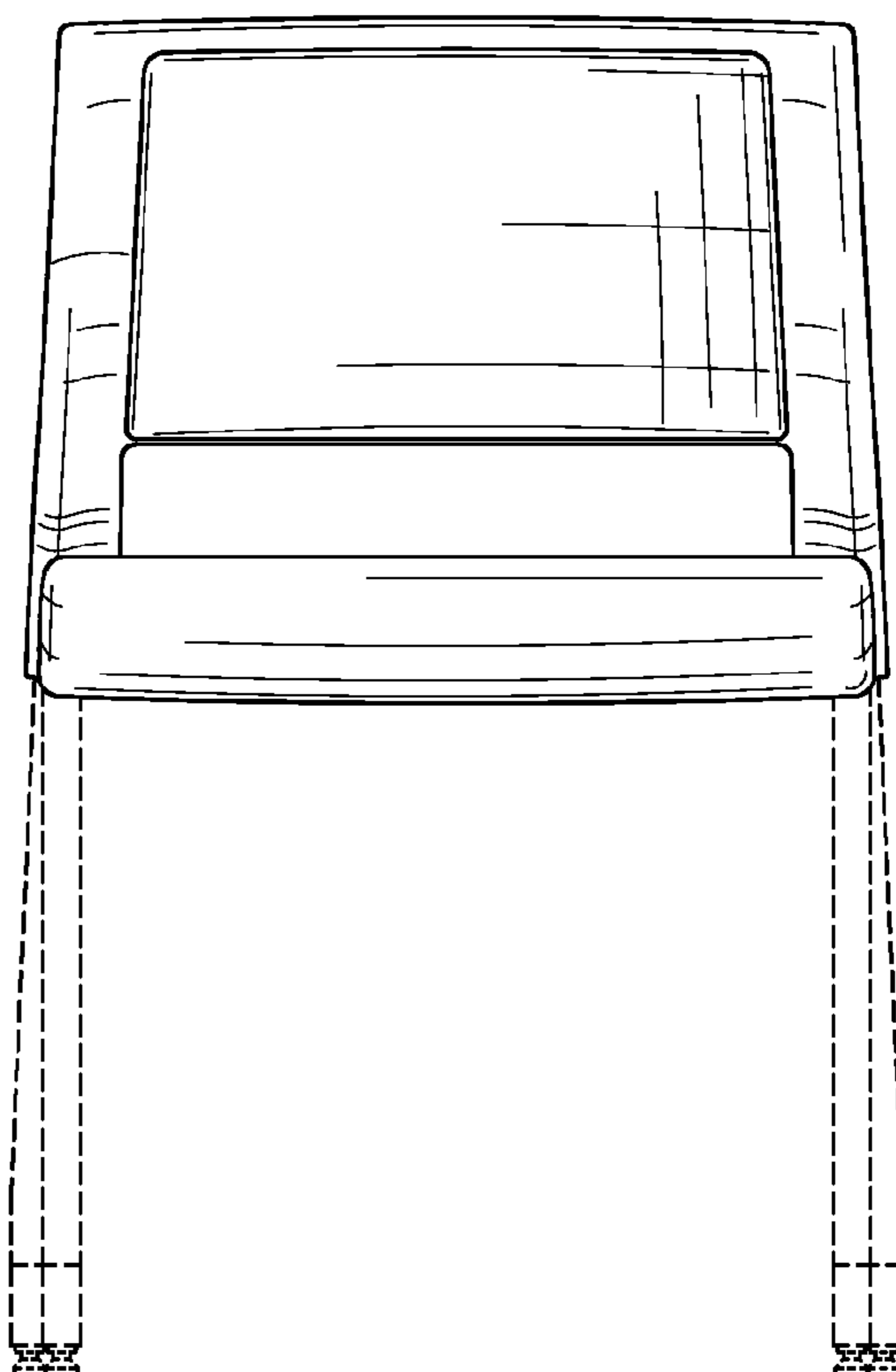


FIG. 8

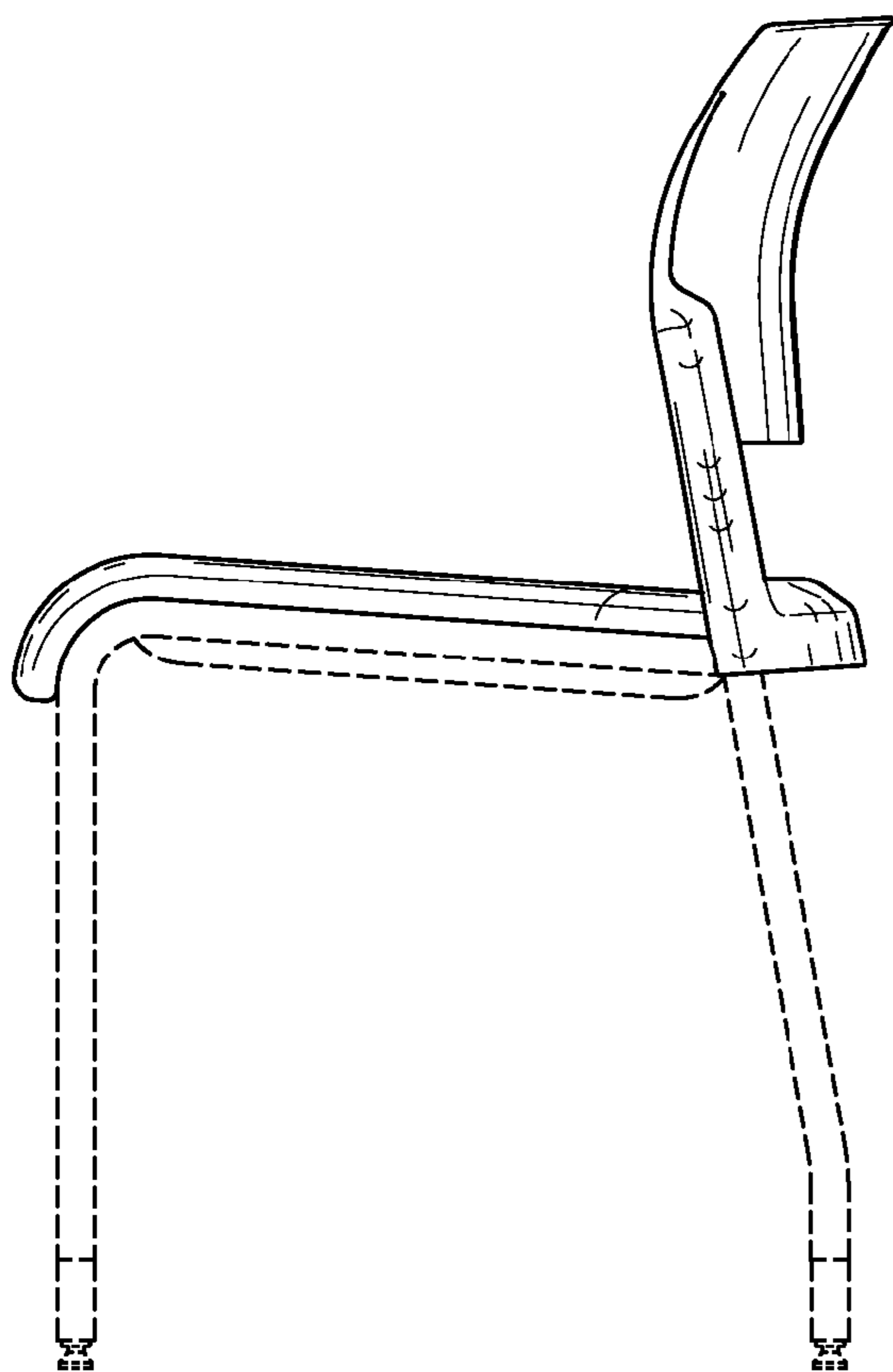


FIG. 9

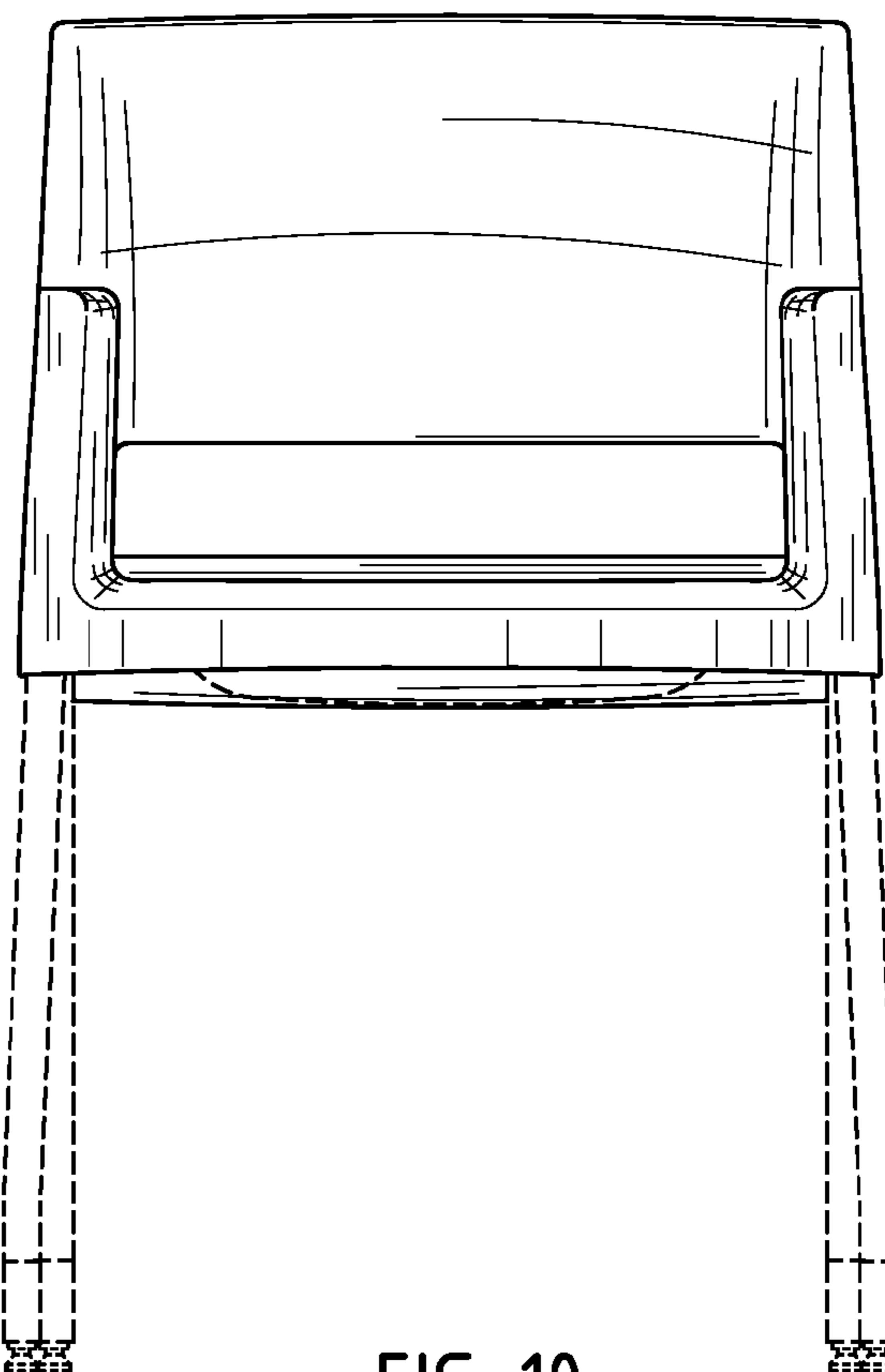


FIG. 10

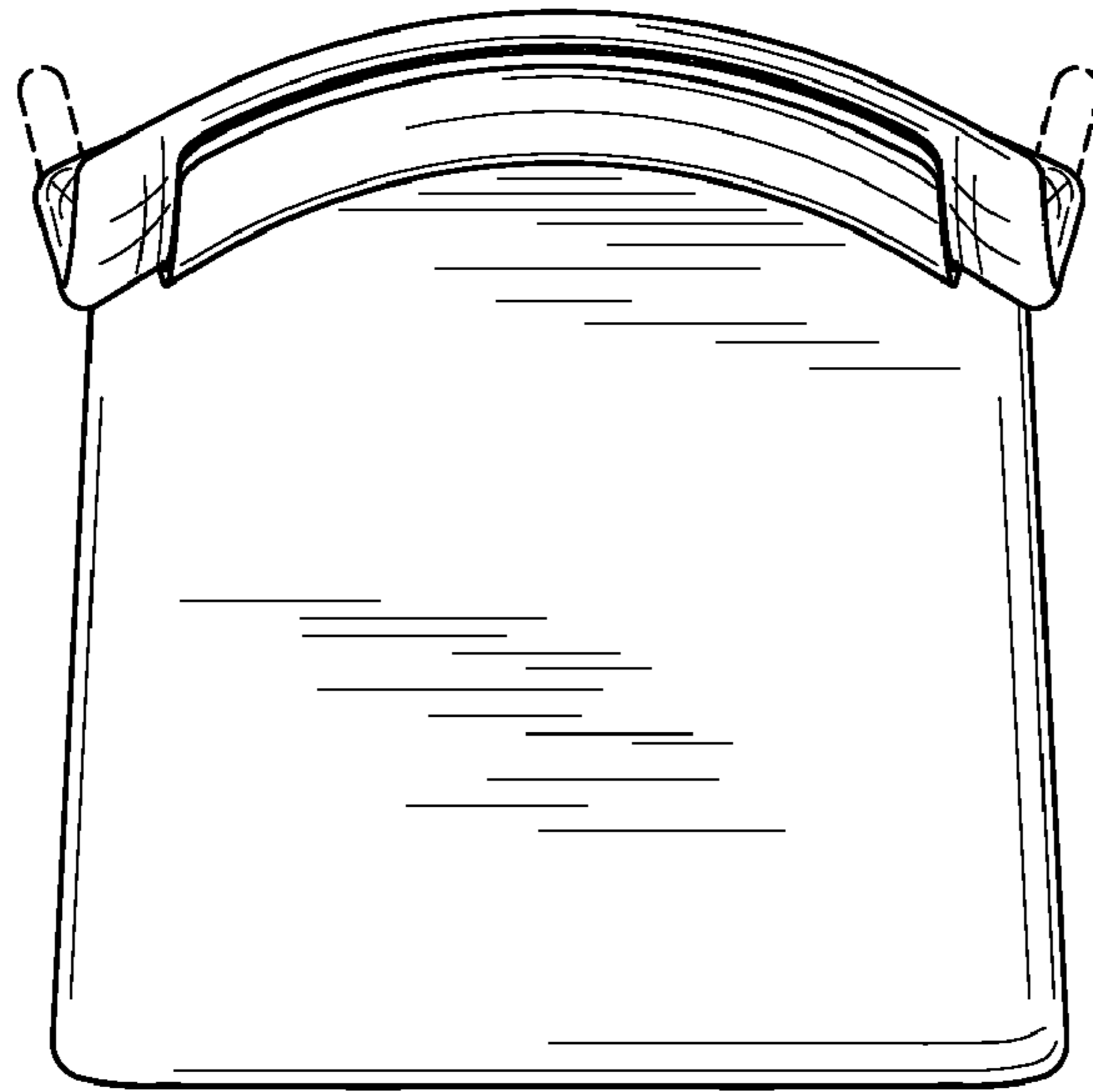


FIG. 11

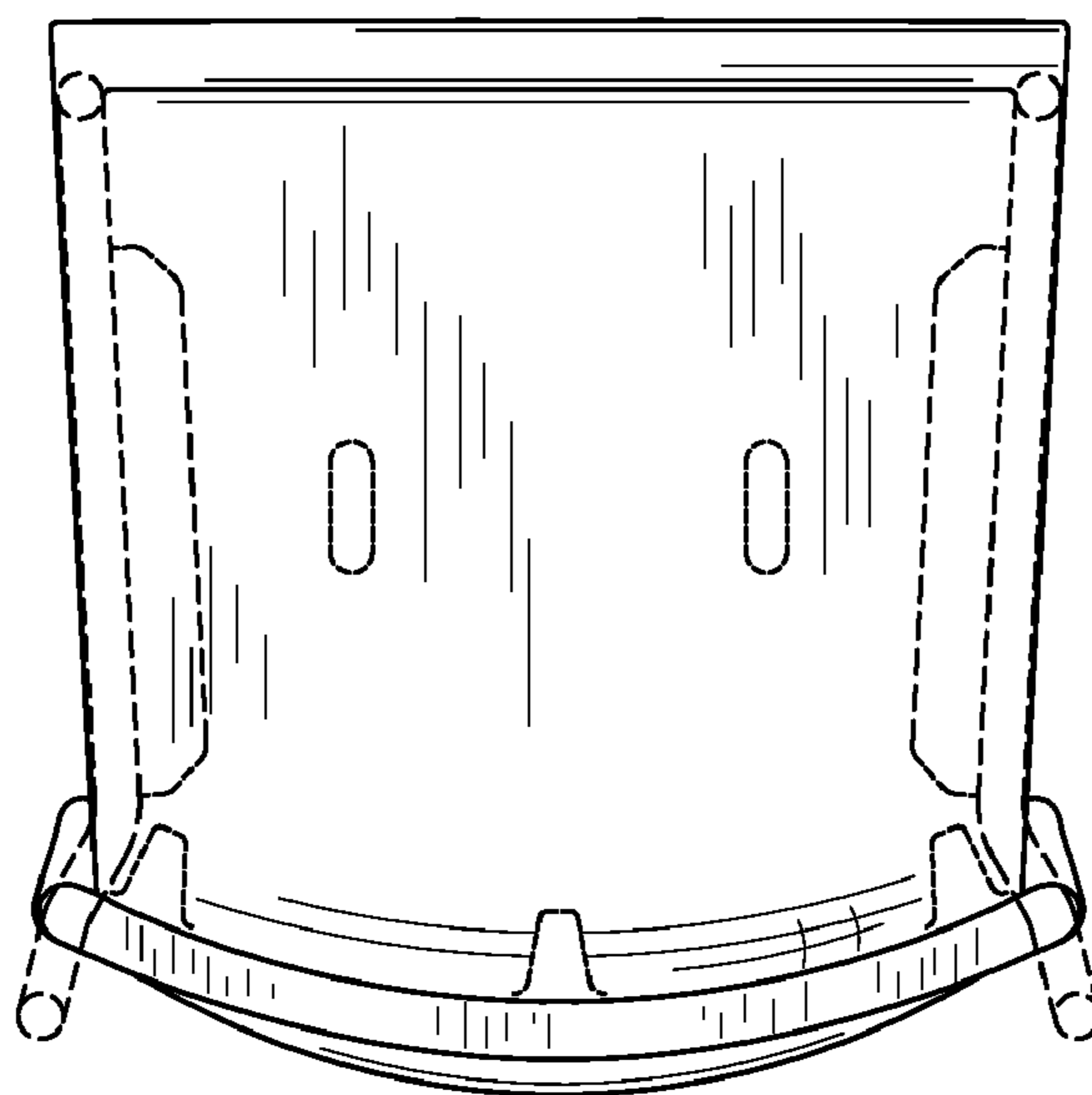


FIG. 12