

US00D564263S

(12) **United States Design Patent**
D’Onofrio

(10) **Patent No.:** **US D564,263 S**

(45) **Date of Patent:** **** Mar. 18, 2008**

(54) **SPORTS TABLE**

(76) Inventor: **Arthur A. D’Onofrio**, P.O. Box 415,
East Haddam, CT (US) 06423

(**) Term: **14 Years**

(21) Appl. No.: **29/278,312**

(22) Filed: **Mar. 26, 2007**

(51) **LOC (8) Cl.** **06-03**

(52) **U.S. Cl.** **D6/486**

(58) **Field of Classification Search** D6/480–489,
D6/495–499, 511, 451; 108/150, 153.1,
108/156, 157.1, 161; 248/188, 188.1, 188.8
See application file for complete search history.

(56) **References Cited**

U.S. PATENT DOCUMENTS

- D134,391 S * 11/1942 Waltman D6/455
- D373,265 S * 9/1996 Horvath D6/451
- D376,935 S * 12/1996 Nourse D6/486
- D391,787 S * 3/1998 Horvath D6/451

OTHER PUBLICATIONS

U.S. Appl. No. 29/284,126, filed Aug. 31, 2007, D’Onofrio.

* cited by examiner

Primary Examiner—Janice E. Seeger

(74) *Attorney, Agent, or Firm*—Mark G. Lappin; Foley & Lardner LLP

(57) **CLAIM**

We claim the ornamental design for a sports table, as shown and described.

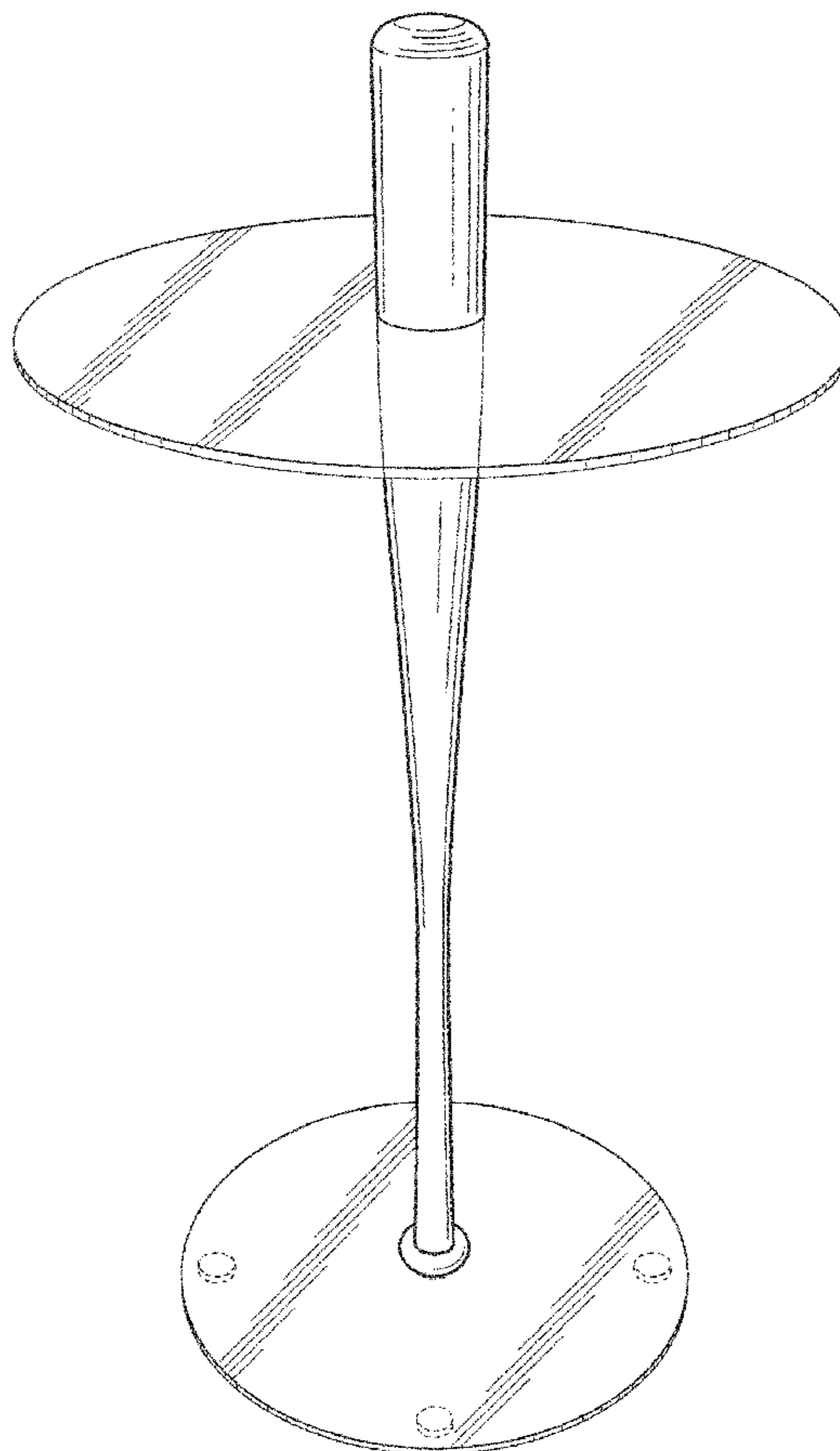
DESCRIPTION

FIG. 1 is a perspective view of the claimed design;
FIG. 2 is a front elevation of the claimed design;
FIG. 3 is a top elevation of the claimed design; and,
FIG. 4 is a bottom elevation of the claimed design.

The right side, left side and back elevations match the front elevation shown in FIG. 2.

The ornamental design which is claimed is shown in solid lines in the drawings. The broken lines in the drawings are for illustrative purposes only and form no part of the claimed design

1 Claim, 4 Drawing Sheets



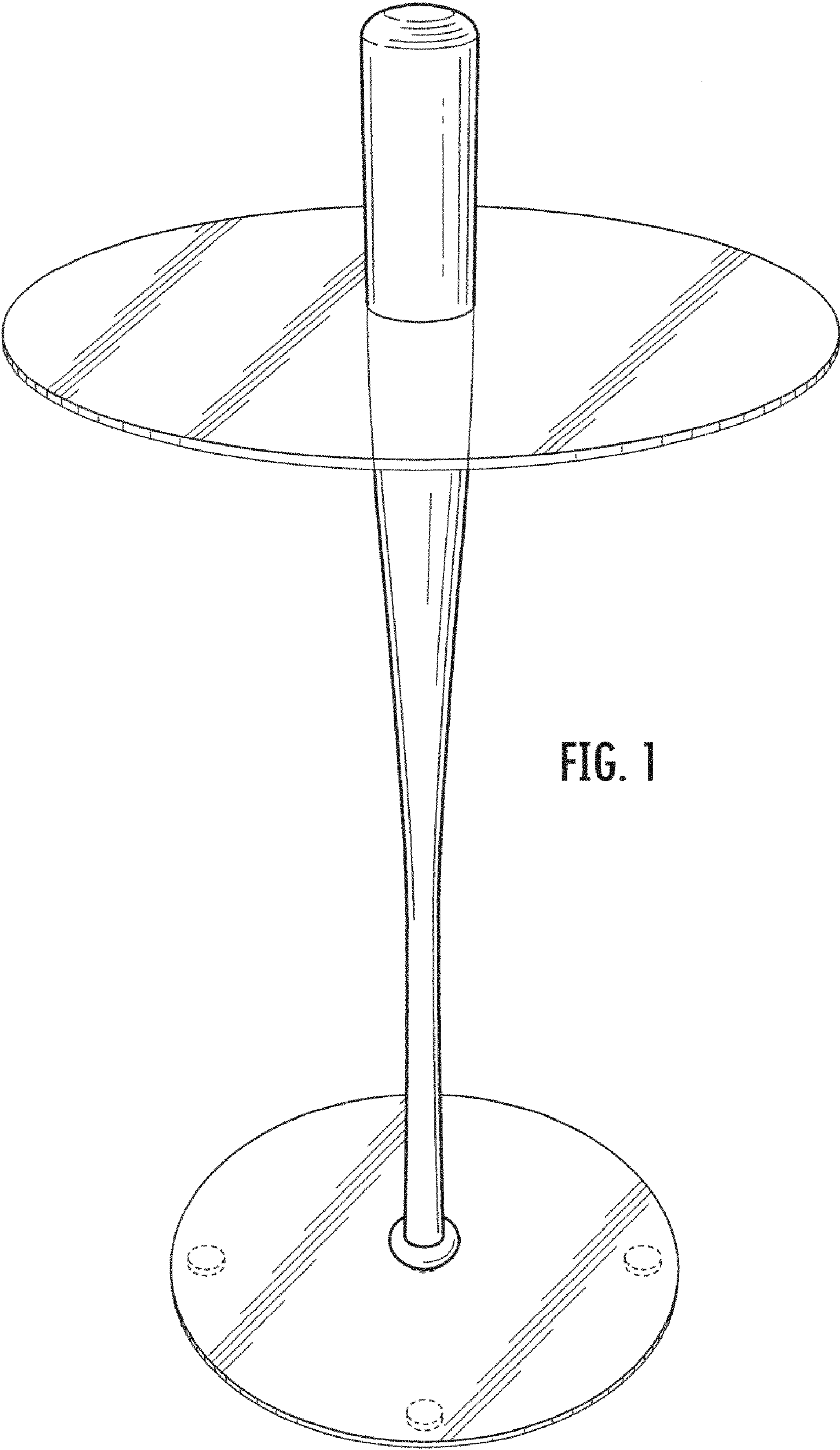


FIG. 1

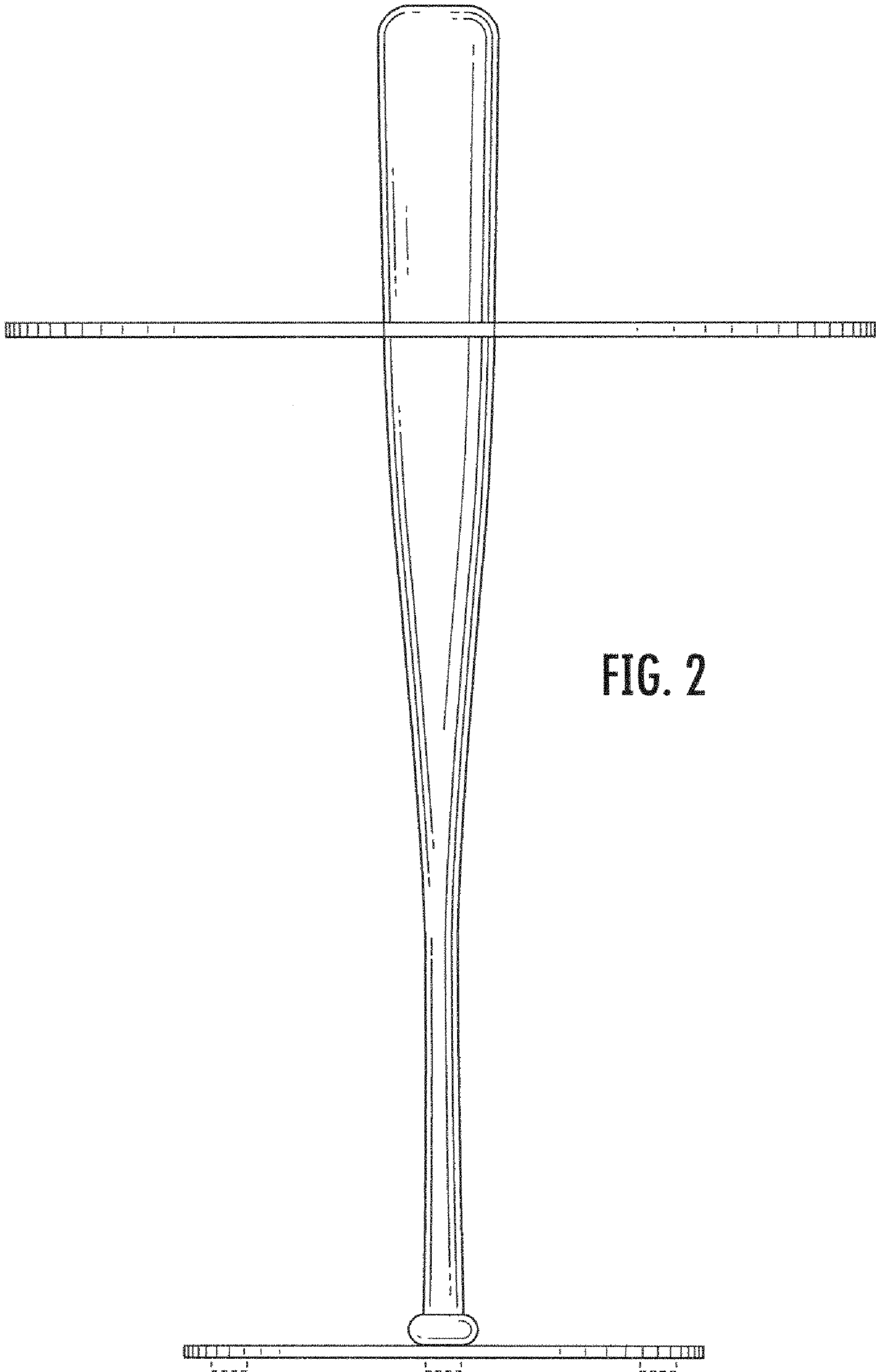


FIG. 2

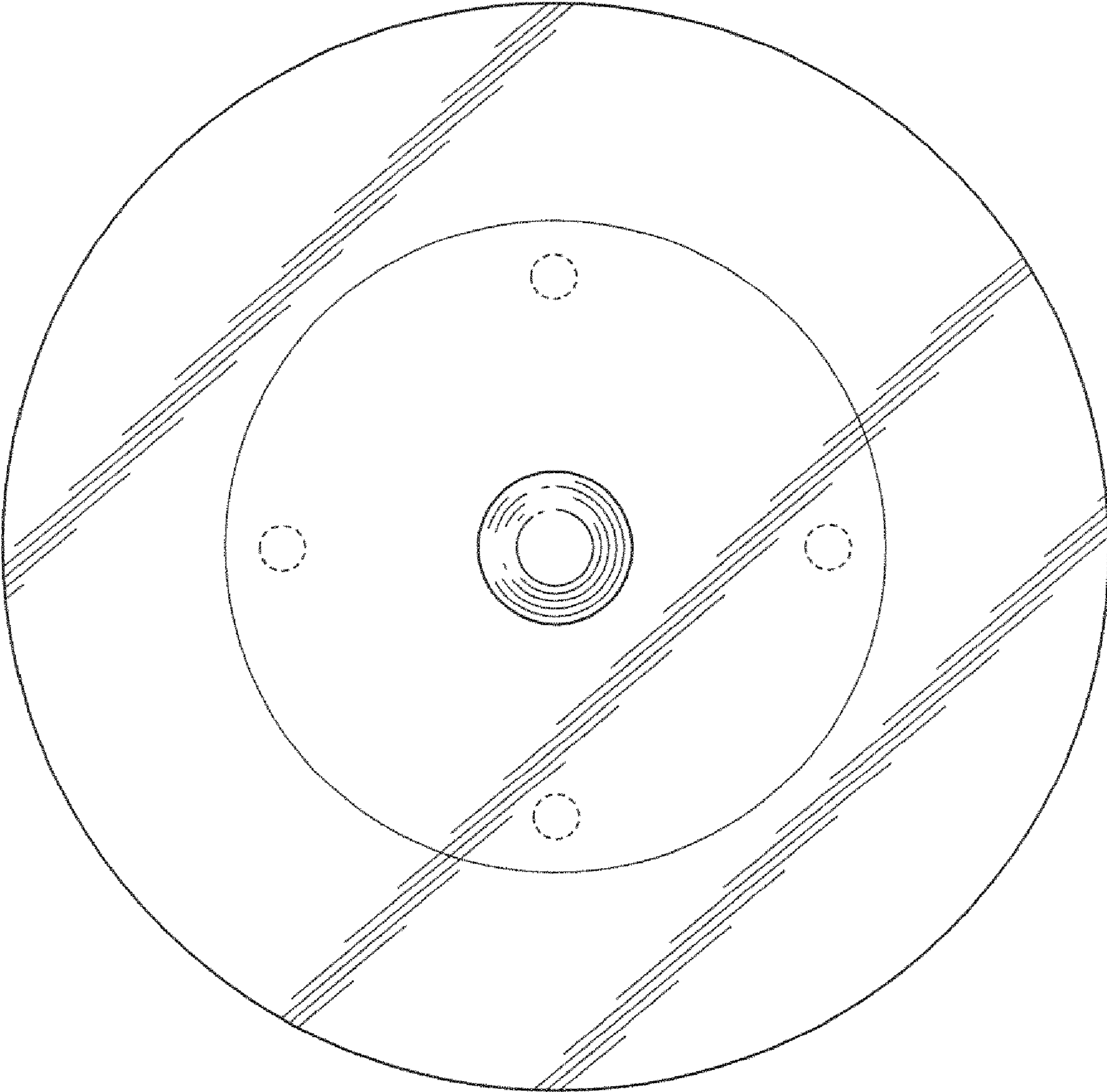


FIG. 3

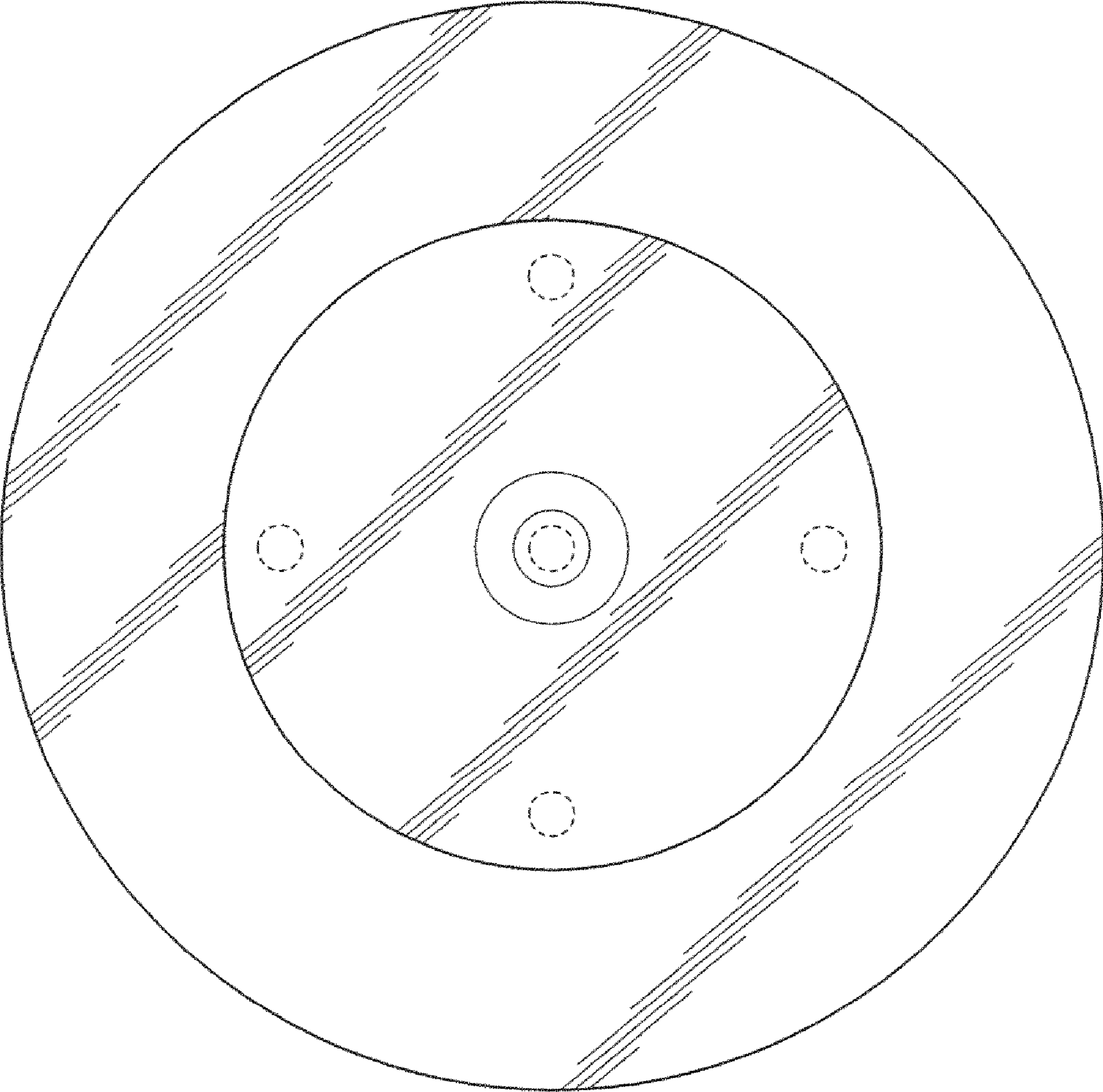


FIG. 4