

US00D564262S

(12) **United States Design Patent**  
**Simha**

(10) **Patent No.:** **US D564,262 S**  
(45) **Date of Patent:** **\*\* Mar. 18, 2008**

(54) **MODULAR STORAGE UNIT**

(76) Inventor: **Adam Simha**, 84 Rice St., Cambridge,  
MA (US) 02140

(\*\*) Term: **14 Years**

(21) Appl. No.: **29/214,641**

(22) Filed: **Oct. 6, 2004**

(51) **LOC (8) Cl.** ..... **06-06**

(52) **U.S. Cl.** ..... **D6/479; D6/484**

(58) **Field of Classification Search** ..... D6/460,  
D6/461, 468, 477-479, 480, 484; 108/11,  
108/65, 137, 59, 91, 92, 96; 211/42, 85, 87.01,  
211/90.01, 107, 111, 119.003, 134, 186, 153,  
211/189, 195, 201, 175

See application file for complete search history.

(56) **References Cited**

U.S. PATENT DOCUMENTS

- D233,872 S \* 12/1974 Jester ..... D6/484
- 4,039,132 A \* 8/1977 Fournier ..... 211/189
- D263,360 S \* 3/1982 Sroub ..... D6/475
- 4,540,308 A \* 9/1985 Colby ..... 211/189
- 4,778,066 A \* 10/1988 Stjernberg ..... 211/182

- 4,809,146 A \* 2/1989 Johnson ..... 211/189
- 4,825,620 A \* 5/1989 Johnson ..... 211/189
- D328,503 S \* 8/1992 Masahara ..... D26/104
- 6,257,151 B1 \* 7/2001 Hale ..... 108/42
- D486,015 S \* 2/2004 de Blois ..... D6/484

\* cited by examiner

*Primary Examiner*—Cathron C. Brooks

(74) *Attorney, Agent, or Firm*—Medlen & Carroll, LLP

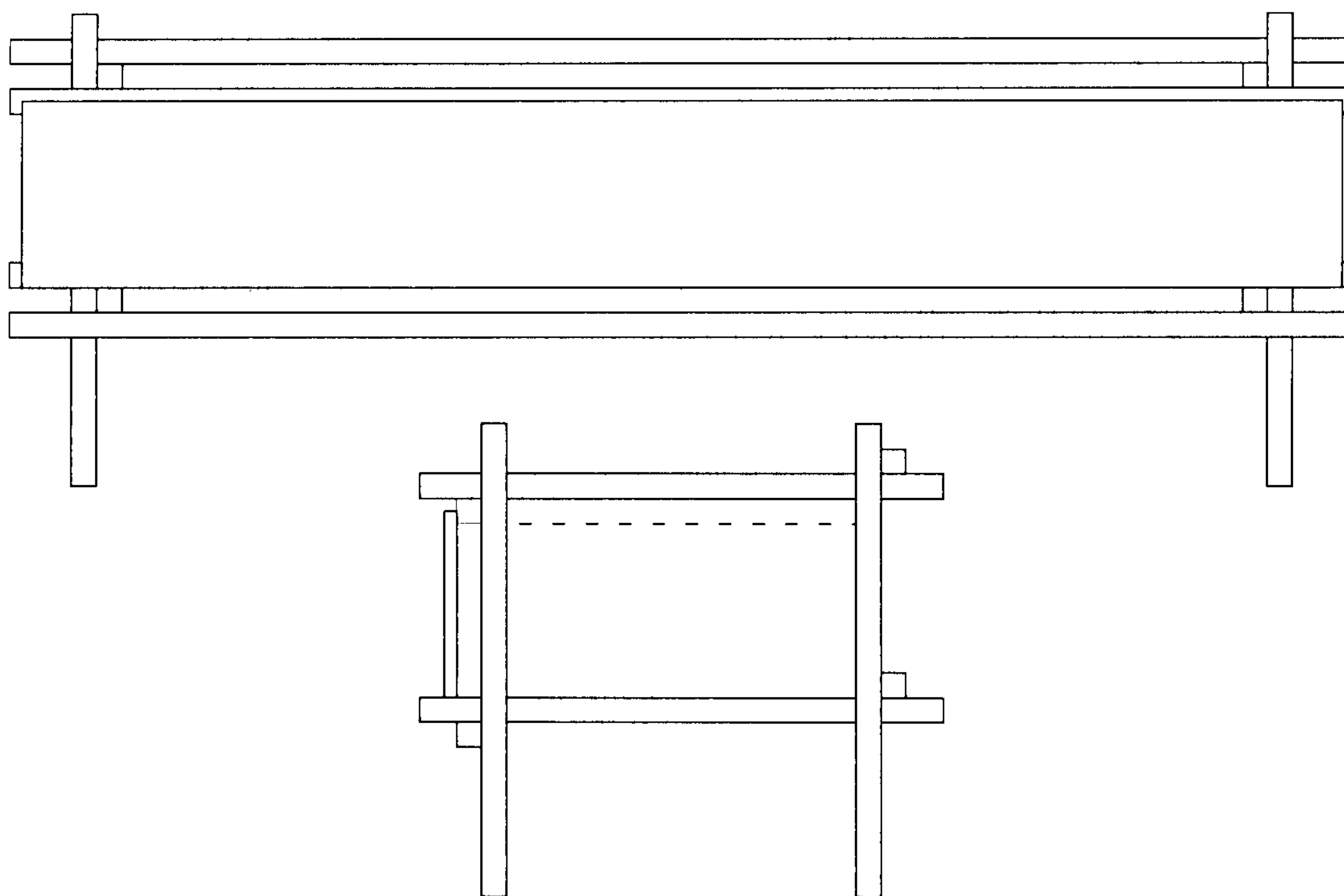
(57) **CLAIM**

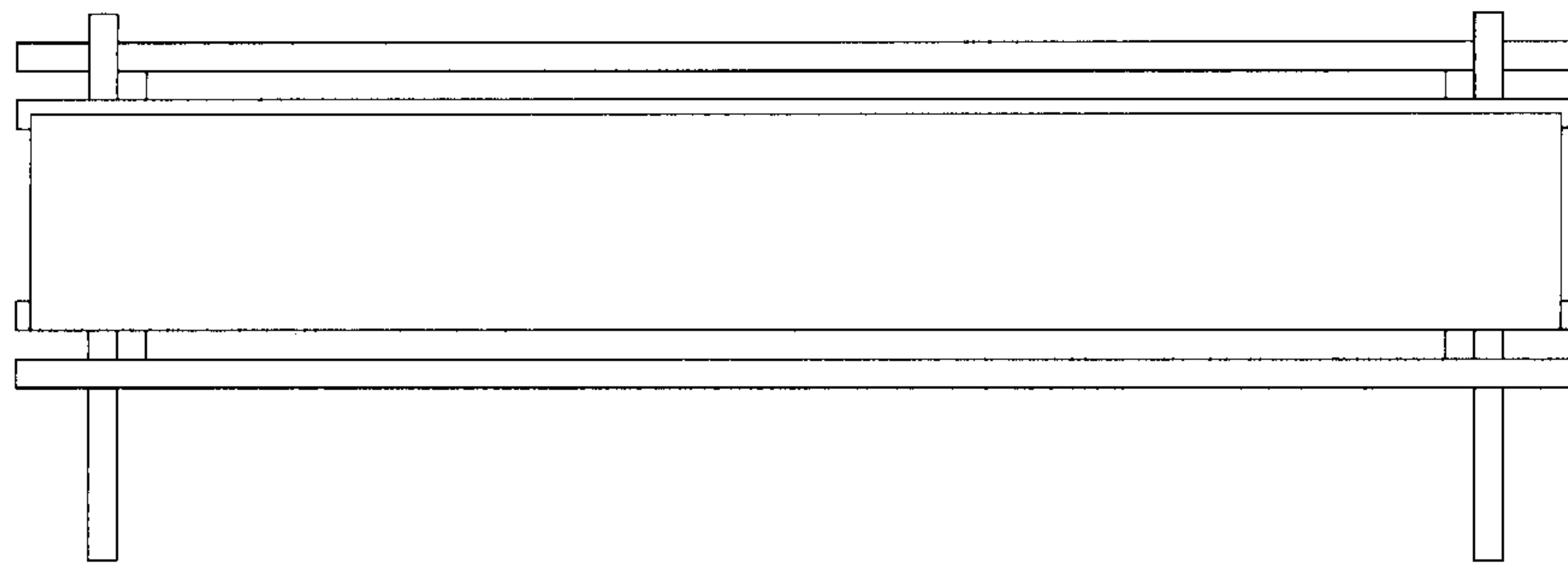
I claim the ornamental design for a modular storage unit, as shown and described.

**DESCRIPTION**

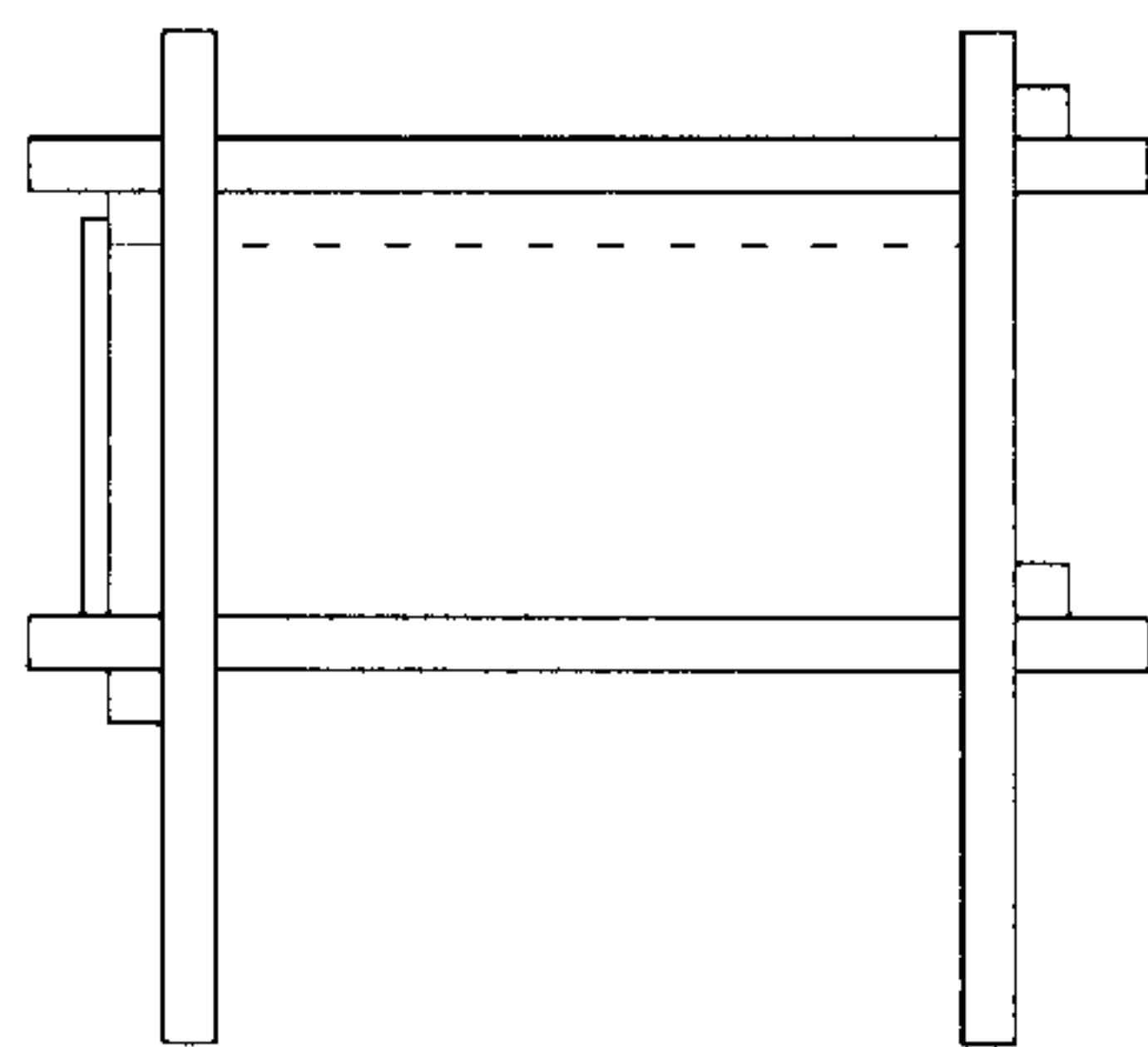
FIG. 1 is a front elevation view showing my new design; FIG. 2 is a right side elevational view thereof; FIG. 3 is a left side elevational view thereof; and, FIG. 4 is a perspective view of an enlarged detail of the lower right front corner thereof, the lower and upper right front corners being identical, and the lower and upper left front corners being mirror images of the right front corners. The flat rectangular panel that should be visible in this detail has been omitted for clarity of illustration. The broken lines form no part of the claimed design.

**1 Claim, 1 Drawing Sheet**

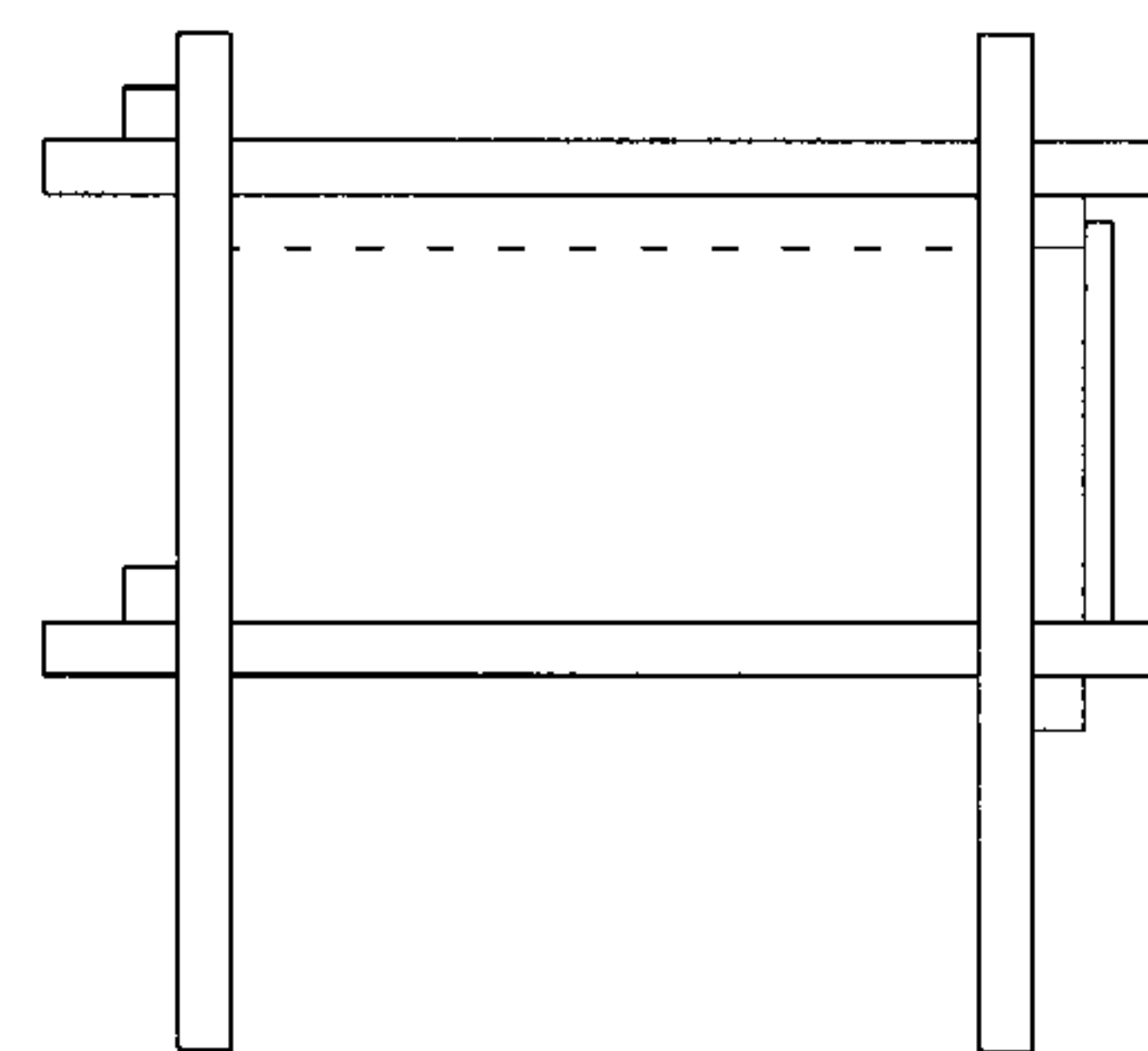




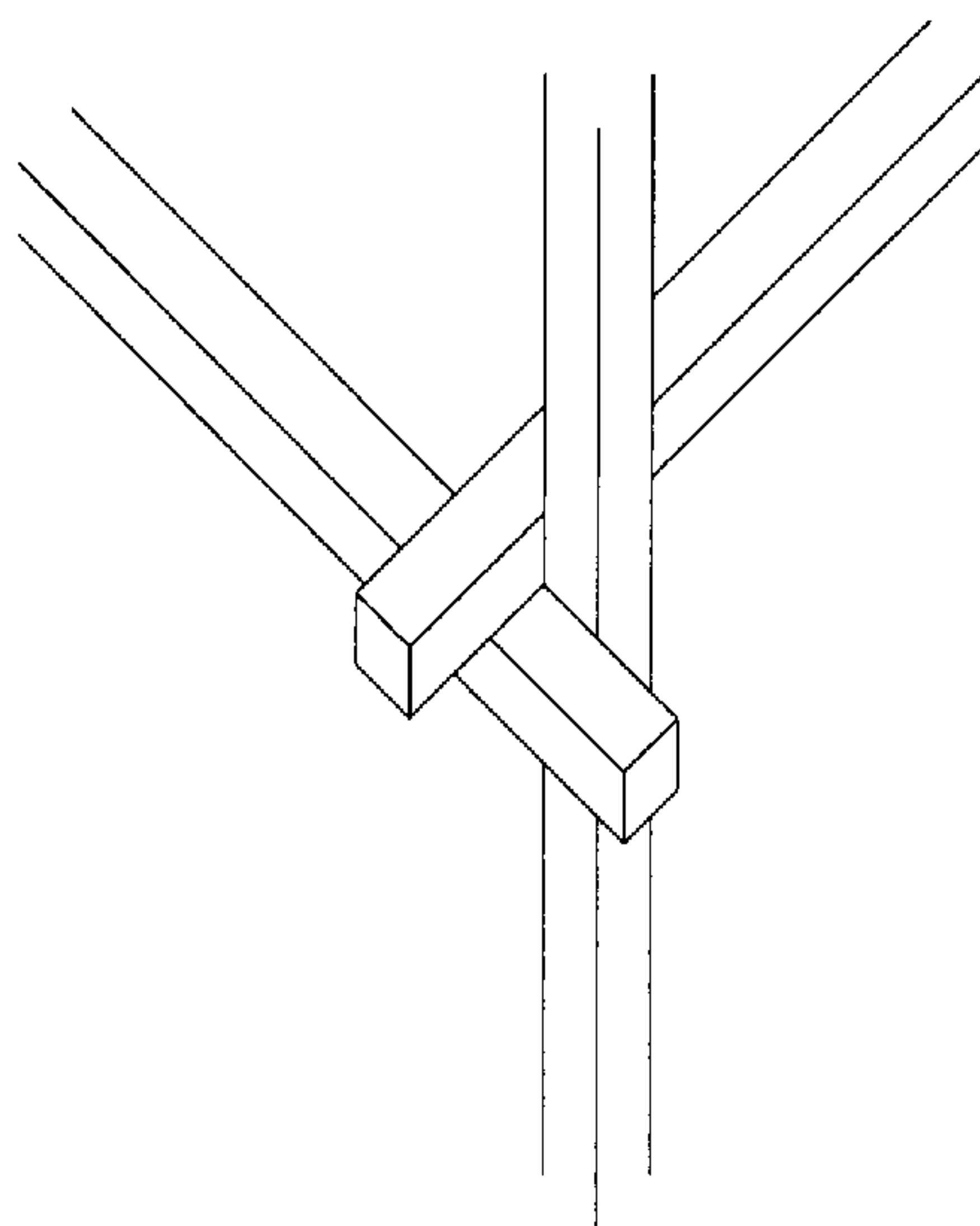
**FIG. 1**



**FIG. 2**



**FIG. 3**



**FIG. 4**