

US00D564261S

(12) **United States Design Patent** (10) **Patent No.:** **US D564,261 S**
Sculler (45) **Date of Patent:** **** Mar. 18, 2008**

(54) **AUDIO VIDEO SHELVING UNIT**

(75) Inventor: **Marc Sculler**, Morganville, NJ (US)

(73) Assignee: **Bell'O International Corp.**,
Morganville, NJ (US)

(**) Term: **14 Years**

(21) Appl. No.: **29/286,226**

(22) Filed: **Apr. 27, 2007**

(51) **LOC (8) Cl.** **06-04**

(52) **U.S. Cl.** **D6/477**

(58) **Field of Classification Search** D6/477-479,
D6/460-461, 468, 474, 407; D14/239, 129,
D14/126; 108/59, 96, 91-92; 211/40, 41.12,
211/42, 49.1, 50, 85.2; 312/9.1, 9.2, 46,
312/9.64, 9.8, 7.2

See application file for complete search history.

(56) **References Cited**

U.S. PATENT DOCUMENTS

- D454,731 S * 3/2002 Niitsu D6/479
- D458,053 S * 6/2002 Luong D6/477
- D472,073 S 3/2003 de Carolis
- D472,074 S 3/2003 de Carolis
- D472,075 S 3/2003 de Carolis
- D489,548 S 5/2004 Malizia et al.
- D491,748 S 6/2004 de Carolis
- D491,749 S 6/2004 Malizia et al.
- D491,750 S 6/2004 Bertoncini et al.
- D491,753 S 6/2004 de Carolis
- D492,860 S 7/2004 Bertoncini et al.
- D493,982 S 8/2004 de Carolis
- D496,807 S 10/2004 de Carolis
- D497,060 S * 10/2004 Chang D6/477
- D497,061 S 10/2004 Decarolis
- D505,573 S 5/2005 Malizia
- D506,329 S * 6/2005 Sexton D6/477
- D507,433 S 7/2005 Portnoy
- D507,900 S * 8/2005 Sexton D6/474
- D508,172 S 8/2005 Malizia et al.

- D515,337 S 2/2006 de Carolis
- D516,838 S 3/2006 Portnoy
- D516,840 S 3/2006 de Carolis
- D516,847 S * 3/2006 Stenhouse et al. D6/509
- D519,757 S 5/2006 Portnoy
- D524,080 S * 7/2006 Stenhouse et al. D6/479
- D525,052 S 7/2006 Malizia et al.
- D525,054 S * 7/2006 Stenhouse et al. D6/479
- D527,208 S 8/2006 Malizia et al.
- D535,497 S 1/2007 Portnoy
- D537,656 S * 3/2007 Stenhouse et al. D6/474

OTHER PUBLICATIONS

Bell'O Jun. 2005/6 International Catalog.

* cited by examiner

Primary Examiner—Elizabeth A. Albert
Assistant Examiner—Kelley A. Donnelly

(74) *Attorney, Agent, or Firm*—Lerner, David, Littenberg,
Krumholz & Mentlik, LLP

(57) **CLAIM**

The ornamental design for audio video shelving unit, as shown and described.

DESCRIPTION

FIG. 1 is a front perspective view of the subject audio video shelving unit;

FIG. 2 is a front elevational view thereof;

FIG. 3 is a rear elevational view thereof;

FIG. 4 is a right side view thereof;

FIG. 5 is a left side view thereof;

FIG. 6 is a top plan view thereof;

FIG. 7 is a perspective view of a second embodiment of the subject audio video shelving unit; and,

FIG. 8 is a top plan view of the second embodiment.

The dark shading on the back support structure of the “audio video shelving unit” is meant to indicate “surface texture.”

1 Claim, 7 Drawing Sheets

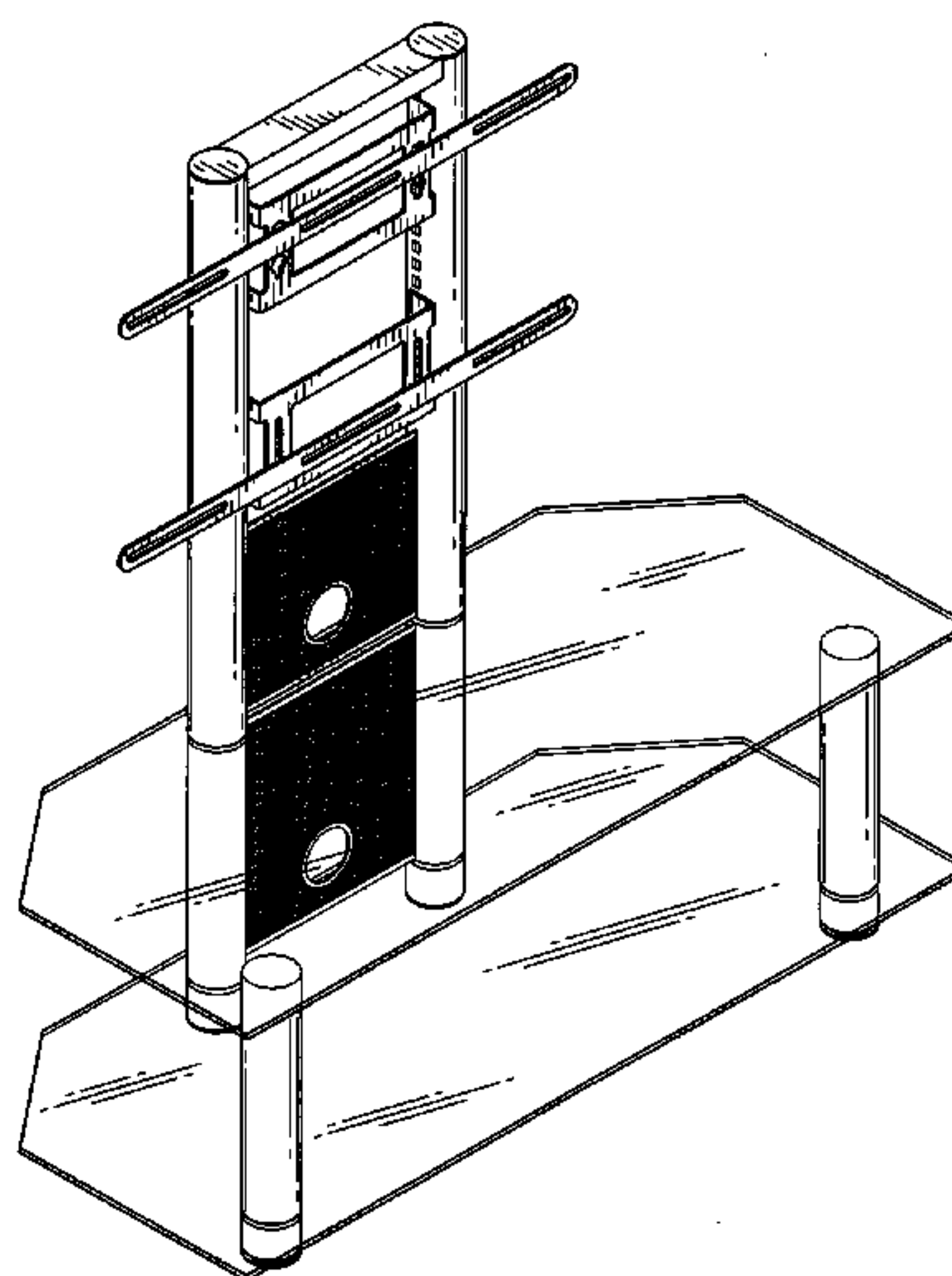


FIG. 1

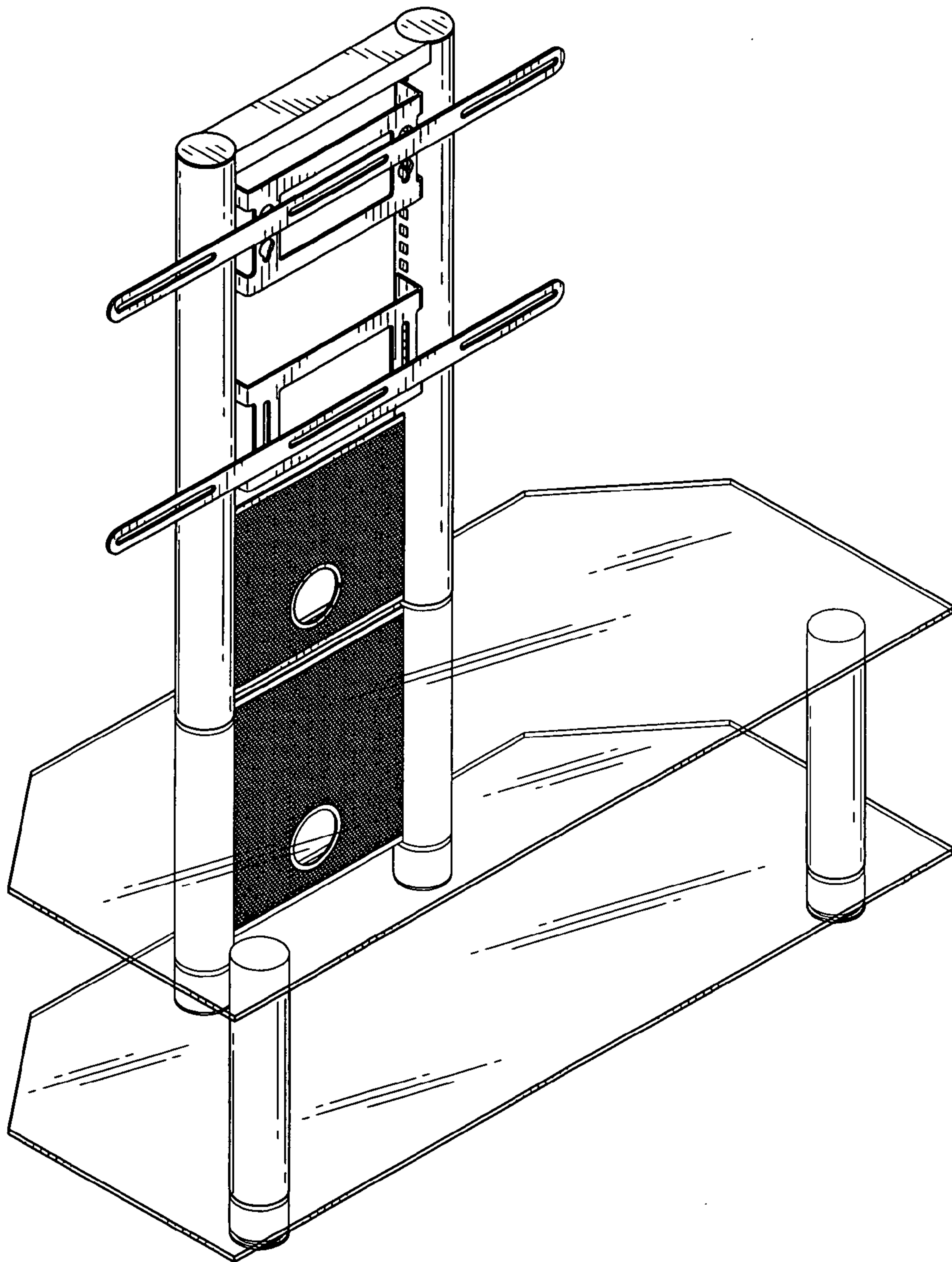


FIG. 2

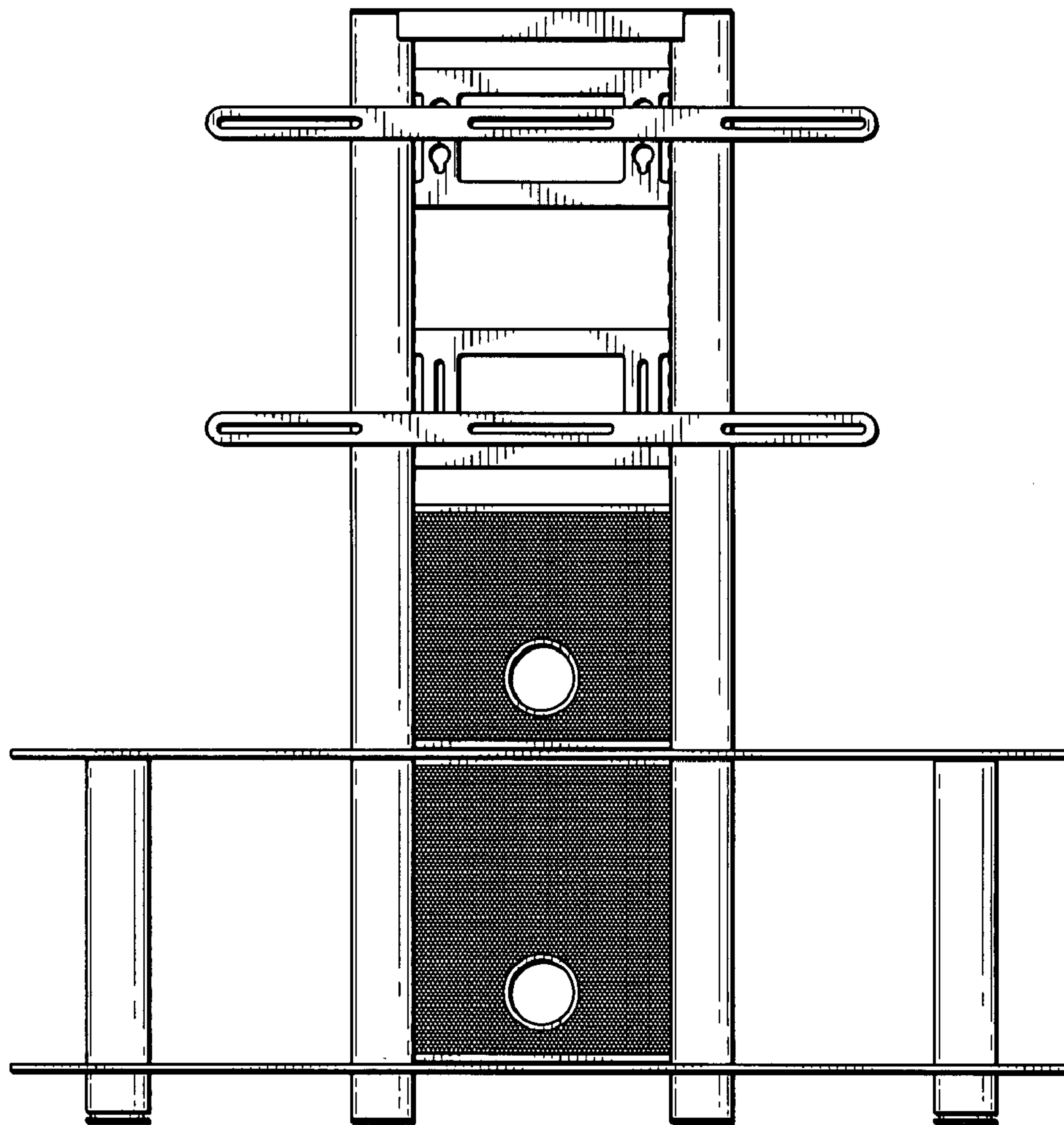


FIG. 3

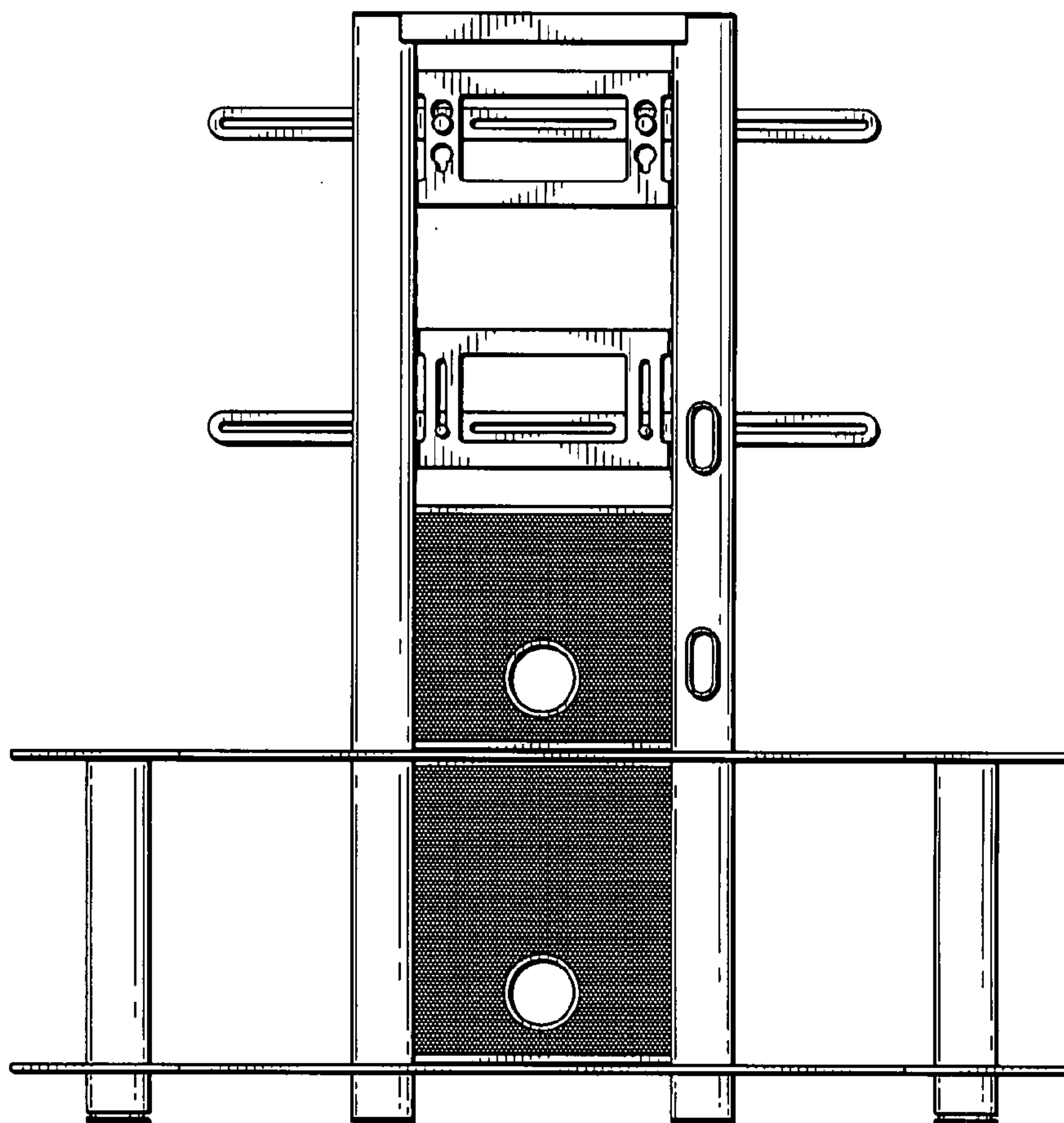


FIG. 4

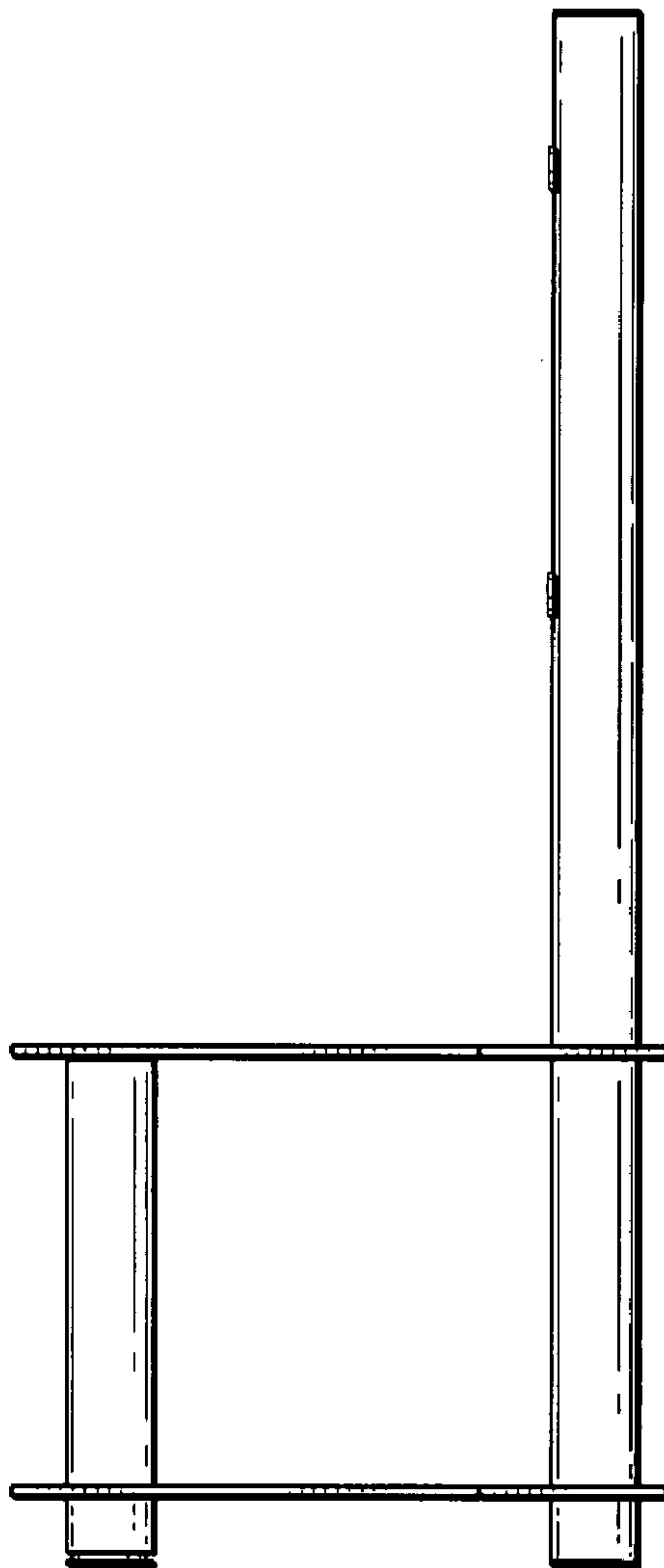


FIG. 5

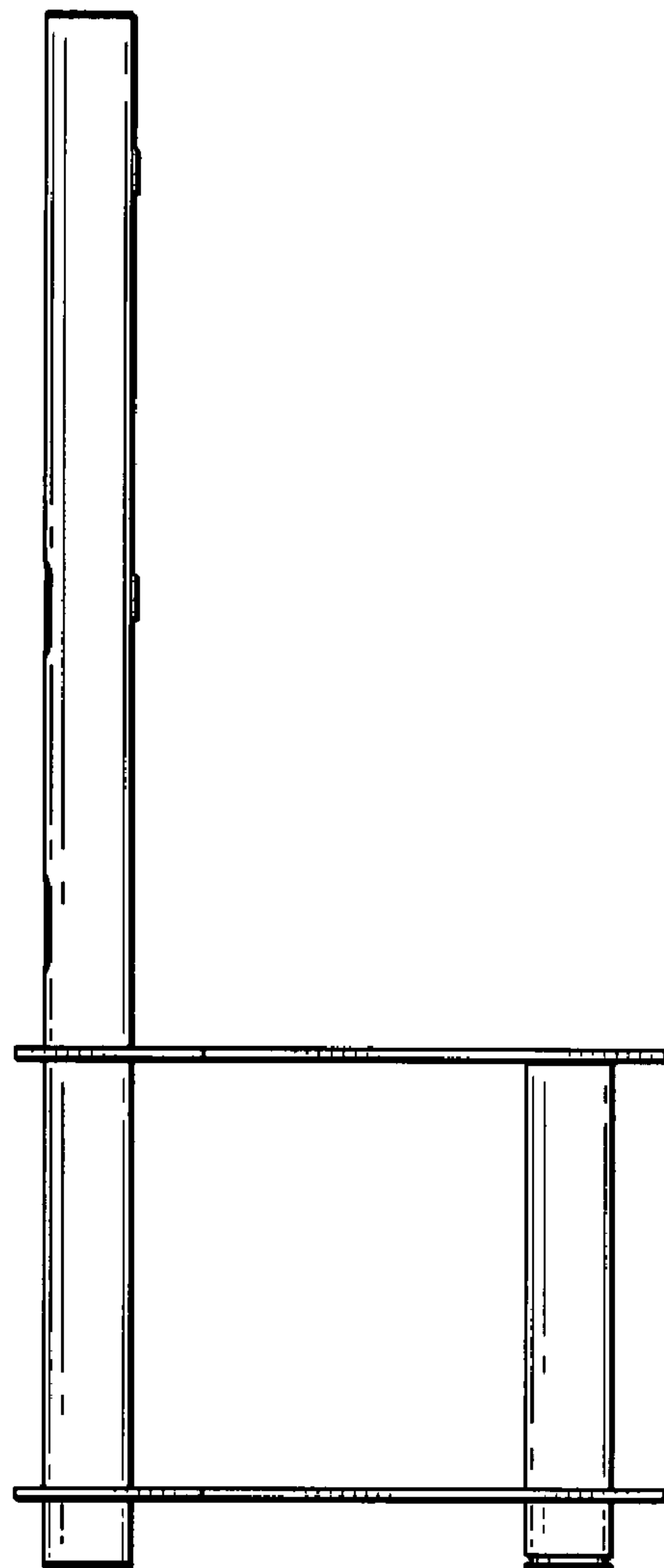


FIG. 6

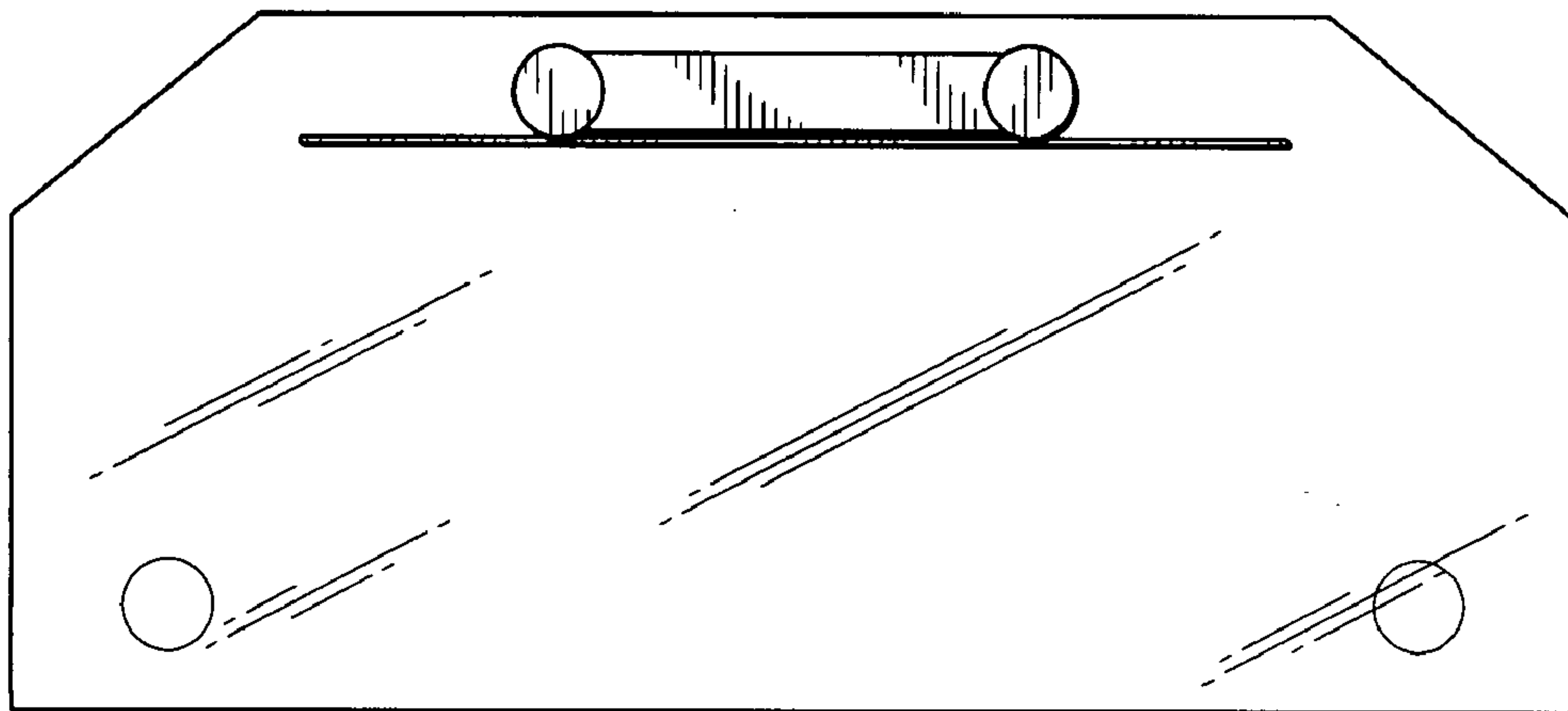


FIG. 7

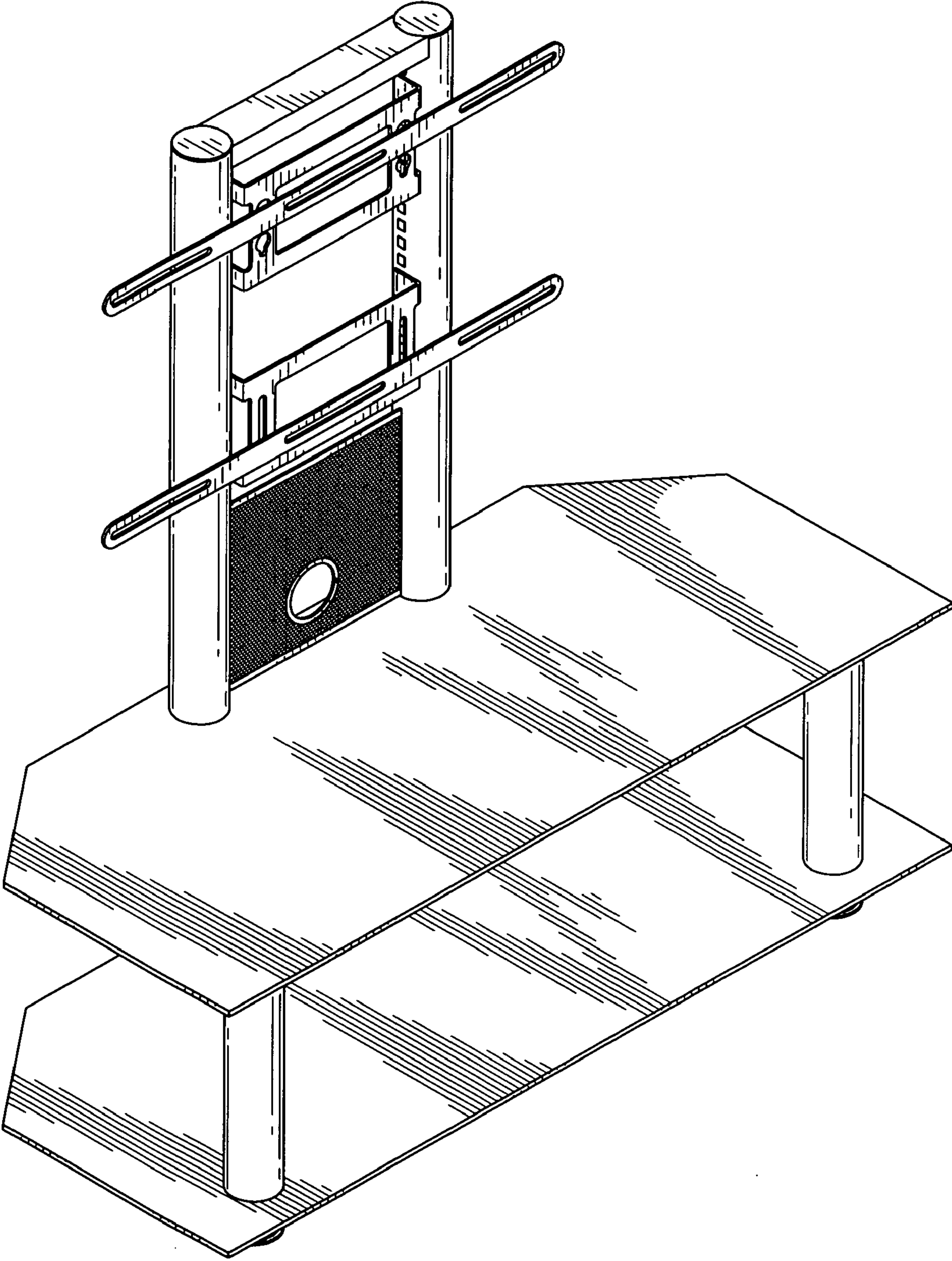


FIG. 8

