

US00D564257S

(12) **United States Design Patent**  
**Yang et al.**

(10) **Patent No.:** **US D564,257 S**  
(45) **Date of Patent:** **\*\* Mar. 18, 2008**

(54) **SHELVING SYSTEM**

(75) Inventors: **Frank Yang**, Rancho Palos Verdes, CA (US); **Tzu-Hao Wei**, Hacienda Heights, CA (US); **Myk Wayne Lum**, Irvine, CA (US); **Adam C. Wade**, Rancho Santa Margarita, CA (US)

(73) Assignee: **simplehuman, LLC**, Torrance, CA (US)

(\*\*) Term: **14 Years**

(21) Appl. No.: **29/264,788**

(22) Filed: **Aug. 17, 2006**

(51) **LOC (8) Cl.** ..... **06-07**

(52) **U.S. Cl.** ..... **D6/462; D6/449**

(58) **Field of Classification Search** ..... D6/462, D6/467, 466, 458, 449, 461, 396, 499, 525, D6/553, 512, 514, 567, 569, 317, 315, 320, D6/323, 324, 327, 328, 566; D23/304; 211/70.5, 211/119, 106, 13.1, 86.01, 87.01, 88.01, 126.1, 211/126.9, 134, 153, 181.1; D8/367, 373, D8/356; D19/44

See application file for complete search history.

(56) **References Cited**

**U.S. PATENT DOCUMENTS**

4,387,811 A \* 6/1983 Ragir et al. .... 211/119

D396,585 S \* 8/1998 Hofman ..... D6/525  
D462,552 S \* 9/2002 Emery et al. .... D6/525  
D473,411 S \* 4/2003 Walker ..... D6/525  
D492,188 S \* 6/2004 Goldberg ..... D8/356  
D512,861 S \* 12/2005 Rosen ..... D6/525  
D546,879 S \* 7/2007 Qiu ..... D19/44

\* cited by examiner

*Primary Examiner*—Caron D. Veynar

*Assistant Examiner*—Sydney R Buffalow

(74) *Attorney, Agent, or Firm*—Knobbe, Martens, Olson & Bear, LLP

(57) **CLAIM**

The ornamental design for a shelving system, as shown and described.

**DESCRIPTION**

FIG. 1 is a front, top, and left side perspective view of a shelving system embodying my new design;

FIG. 2 is a front elevational view thereof;

FIG. 3 is a left side elevational view thereof;

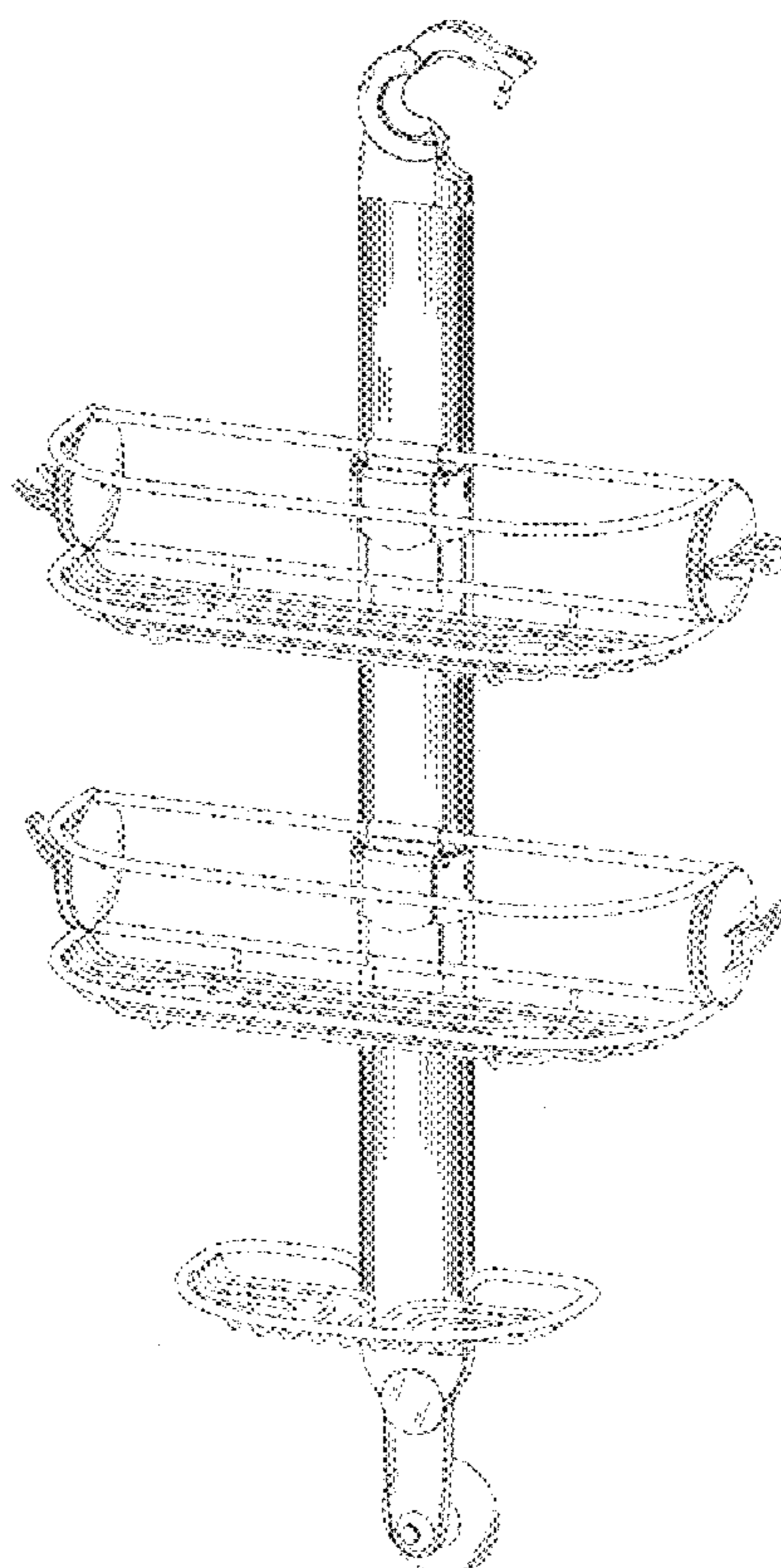
FIG. 4 is a rear elevational view thereof;

FIG. 5 is a right side elevational view thereof;

FIG. 6 is a top plan view thereof; and,

FIG. 7 is a bottom plan view thereof.

**1 Claim, 6 Drawing Sheets**



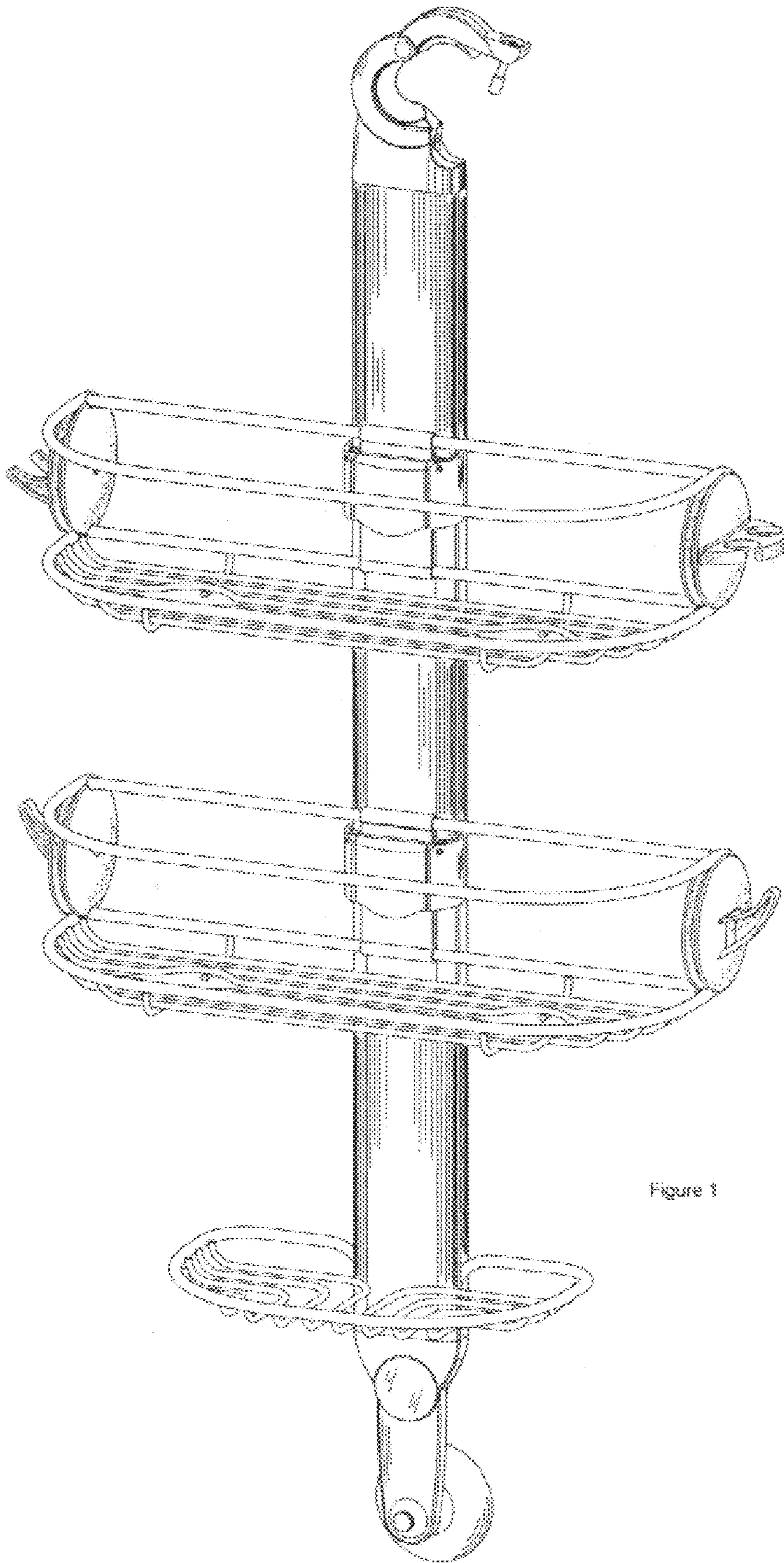


Figure 1

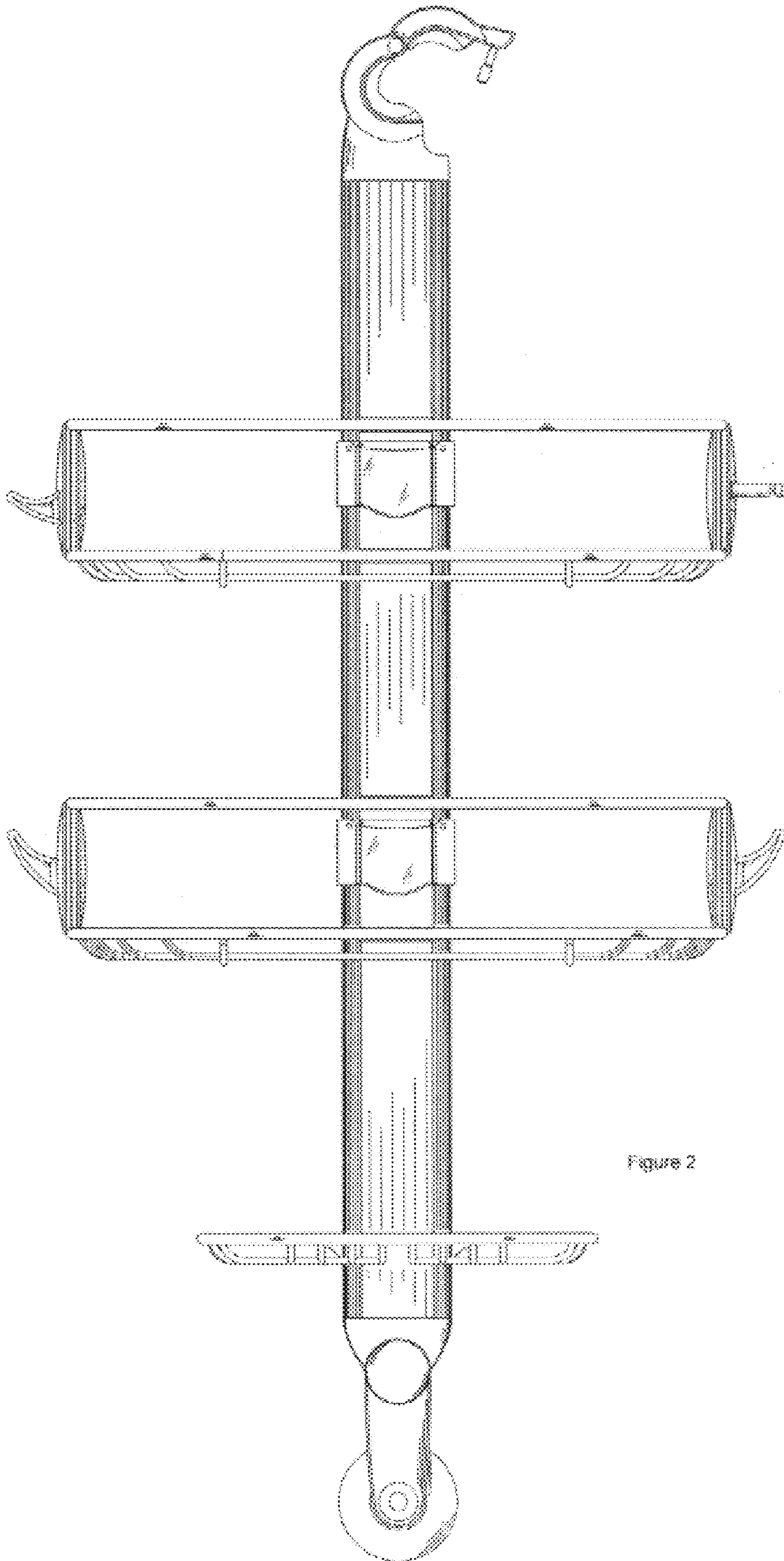


Figure 2

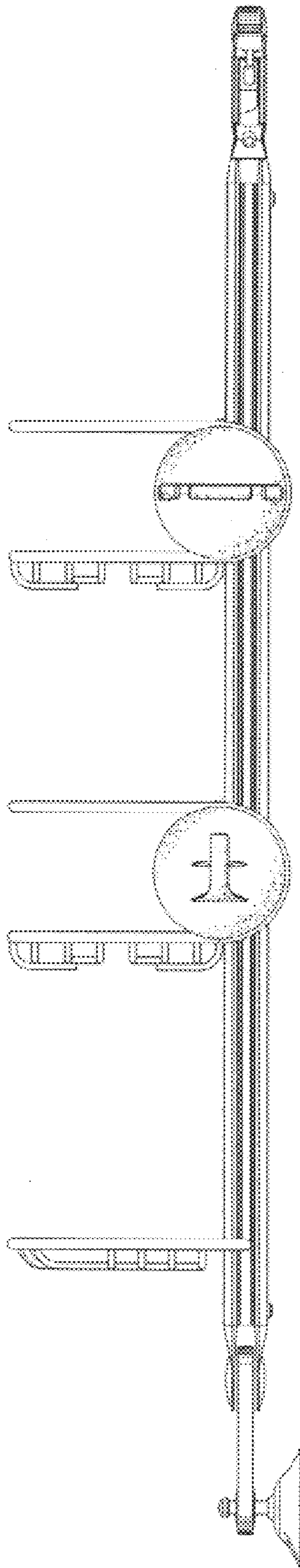


Figure 3

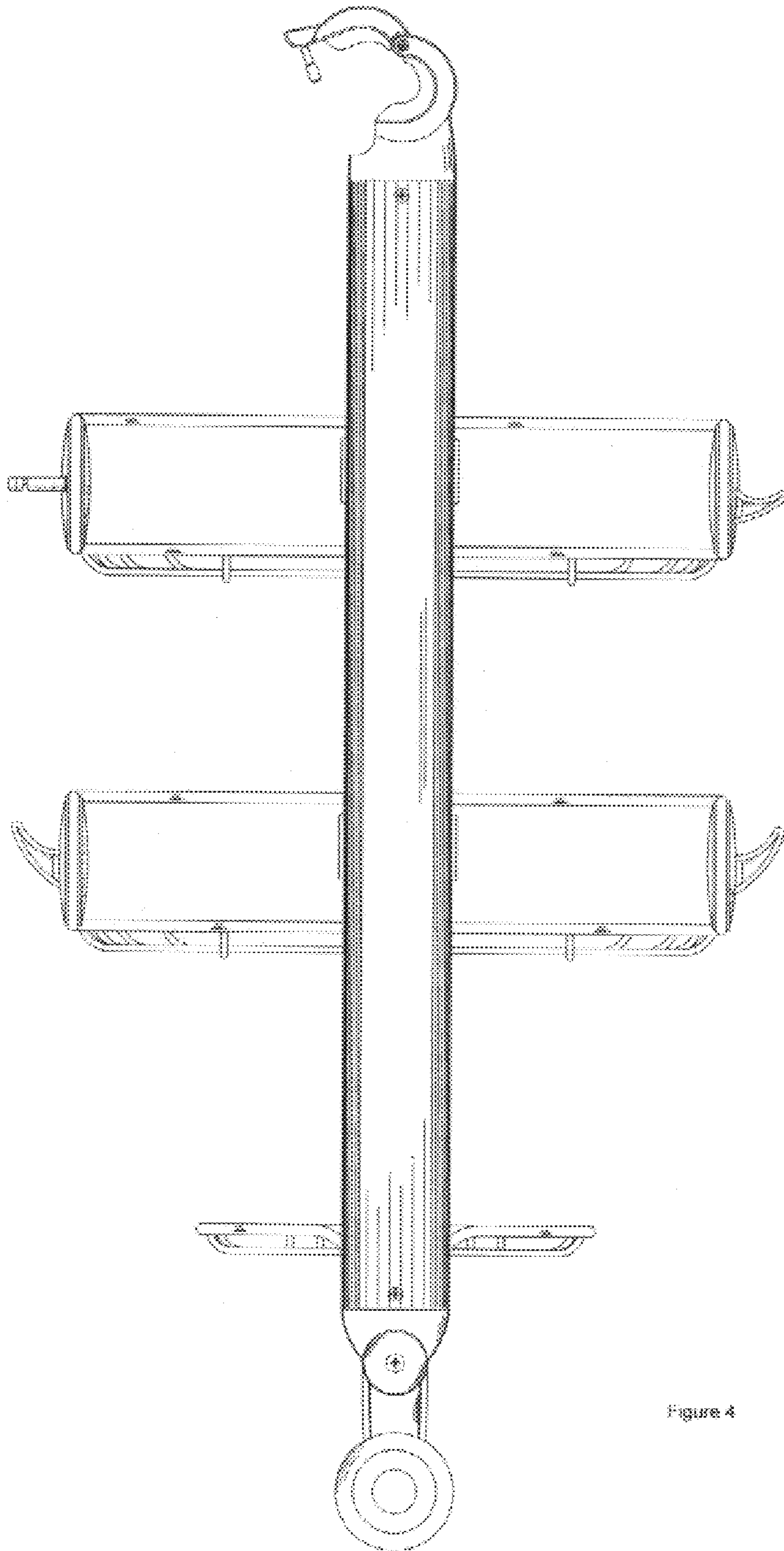


Figure 4

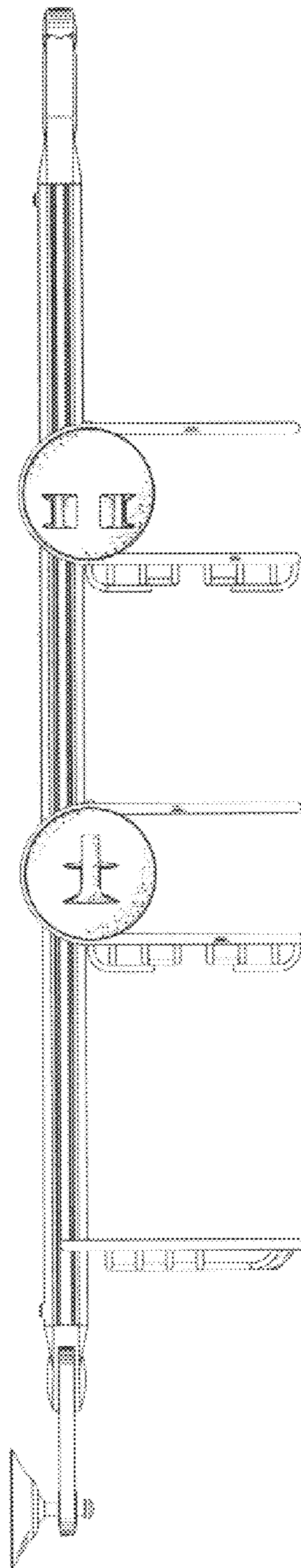


Figure 5

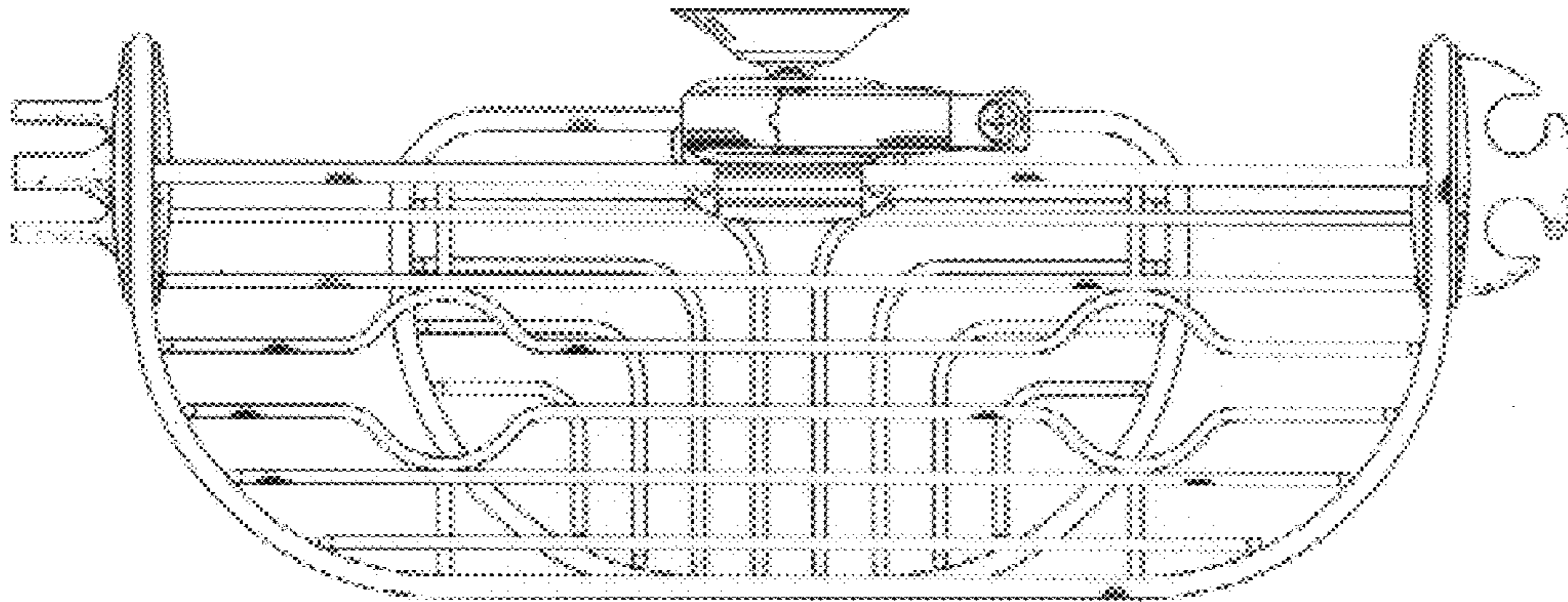


Figure 6

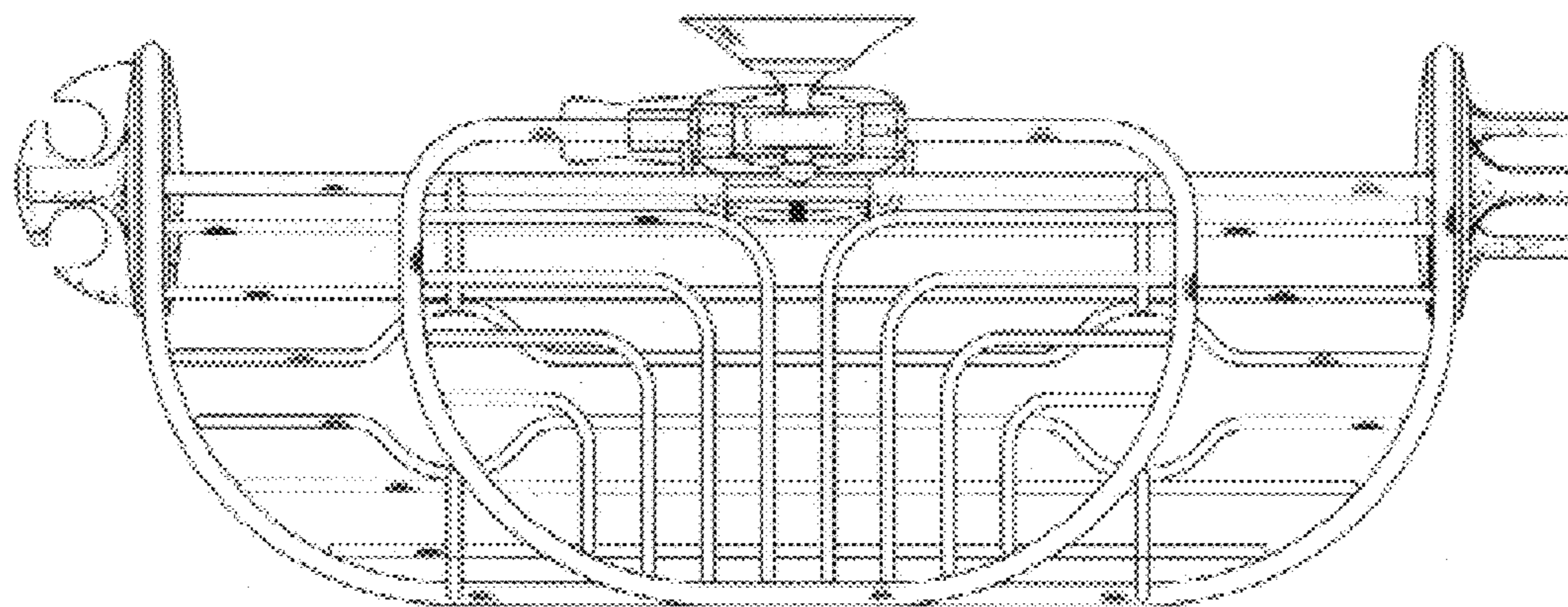


Figure 7