



US00D564253S

(12) **United States Design Patent** (10) **Patent No.:** **US D564,253 S**  
**Daubon** (45) **Date of Patent:** **\*\* Mar. 18, 2008**

(54) **LAPTOP COMPUTER TABLE**  
 (76) Inventor: **Jose C. Daubon**, 2328 Borinquen Ave.,  
 Third Floor, San Juan, PR (US) 00915  
 (\*\*) Term: **14 Years**  
 (21) Appl. No.: **29/276,209**  
 (22) Filed: **Jan. 18, 2007**

(51) **LOC (8) Cl.** ..... **06-03**  
 (52) **U.S. Cl.** ..... **D6/420; D6/484; D6/485**  
 (58) **Field of Classification Search** ..... D6/480-489,  
 D6/495-499, 511, 429-431, 419, 420; 108/150,  
 108/153.1, 155, 156, 157.17, 161, 50.01,  
 108/50.02; 248/188, 188.1, 188.7, 188.8  
 See application file for complete search history.

(56) **References Cited**

U.S. PATENT DOCUMENTS

D178,277 S *	7/1956	Close .....	D6/420
D299,601 S *	1/1989	Campbell .....	D6/487
5,375,370 A *	12/1994	Zimmerman .....	47/41.01
D366,781 S *	2/1996	Cartwright .....	D6/422
D472,399 S *	4/2003	Casteel .....	D6/425
D538,355 S *	3/2007	Tyson .....	D21/397
D543,731 S *	6/2007	Colegrove .....	D6/484

\* cited by examiner

*Primary Examiner*—Janice E. Seeger  
 (74) *Attorney, Agent, or Firm*—Albert Bordas, P.A.

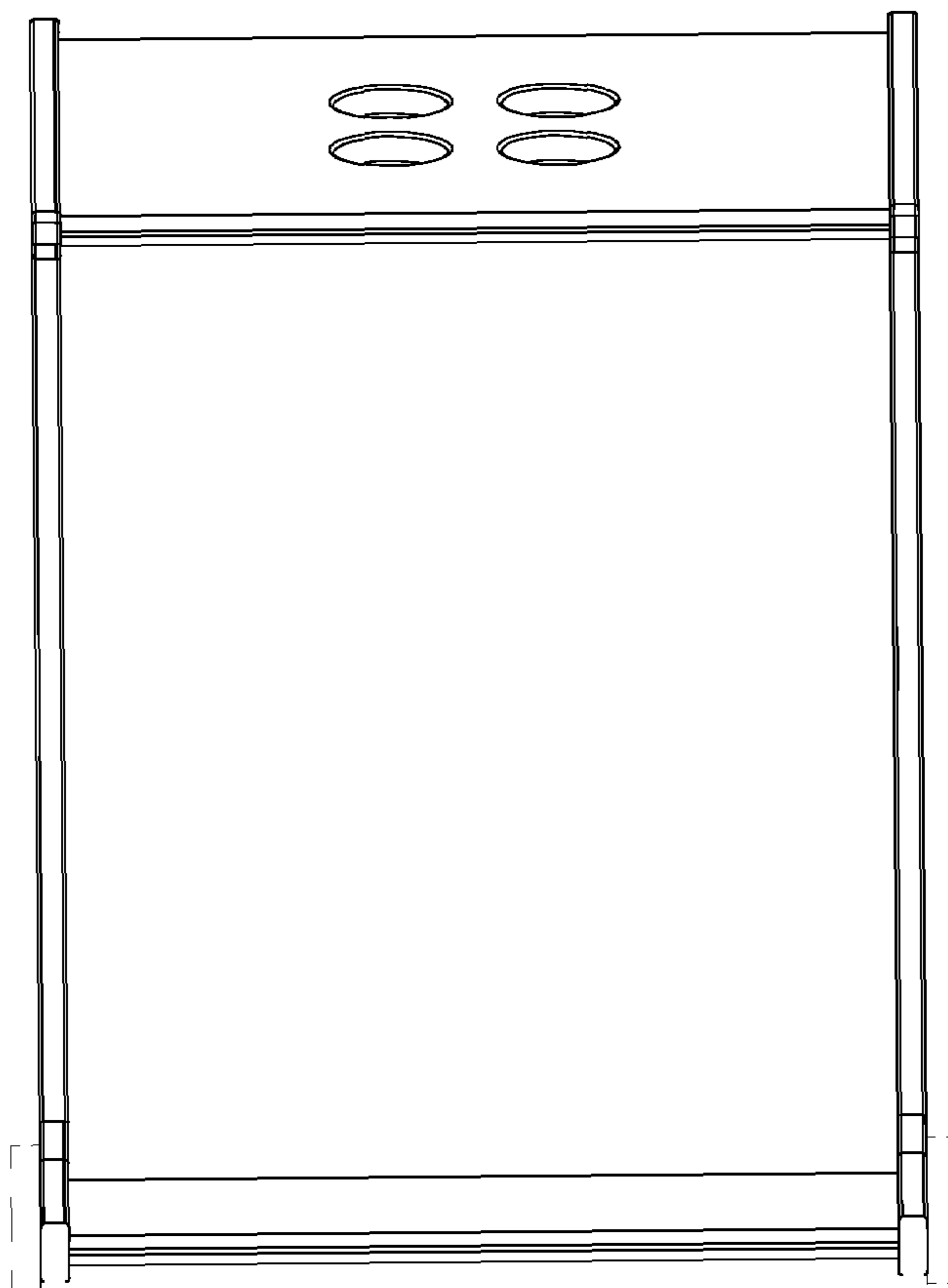
(57) **CLAIM**

The ornamental design for a laptop computer table, as shown and described.

**DESCRIPTION**

FIG. 1 is a front elevational view of a laptop computer table;  
 FIG. 2 is a rear elevational view thereof;  
 FIG. 3 is a right side elevational view thereof;  
 FIG. 4 is a left side elevational view thereof;  
 FIG. 5 is a top plan view thereof;  
 FIG. 6 is a bottom plan view thereof;  
 FIG. 7 is a front isometric view thereof;  
 FIG. 8 is a rear isometric view thereof; and,  
 FIG. 9 is a front isometric view thereof, showing a laptop computer resting upon the laptop computer table.  
 The broken lines are for environmental purposes only and form no part of the claimed design.

**1 Claim, 9 Drawing Sheets**



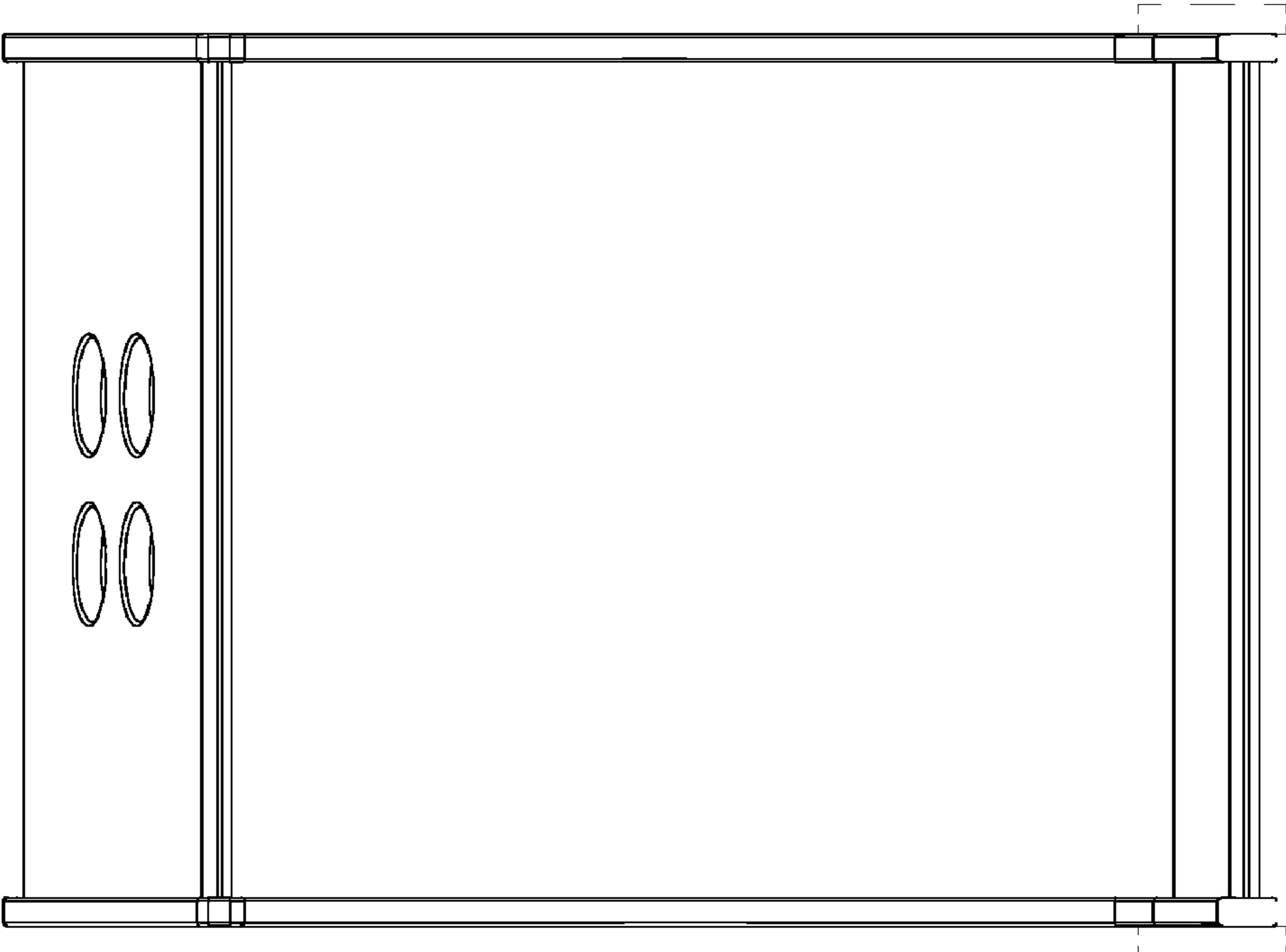


FIG. 1

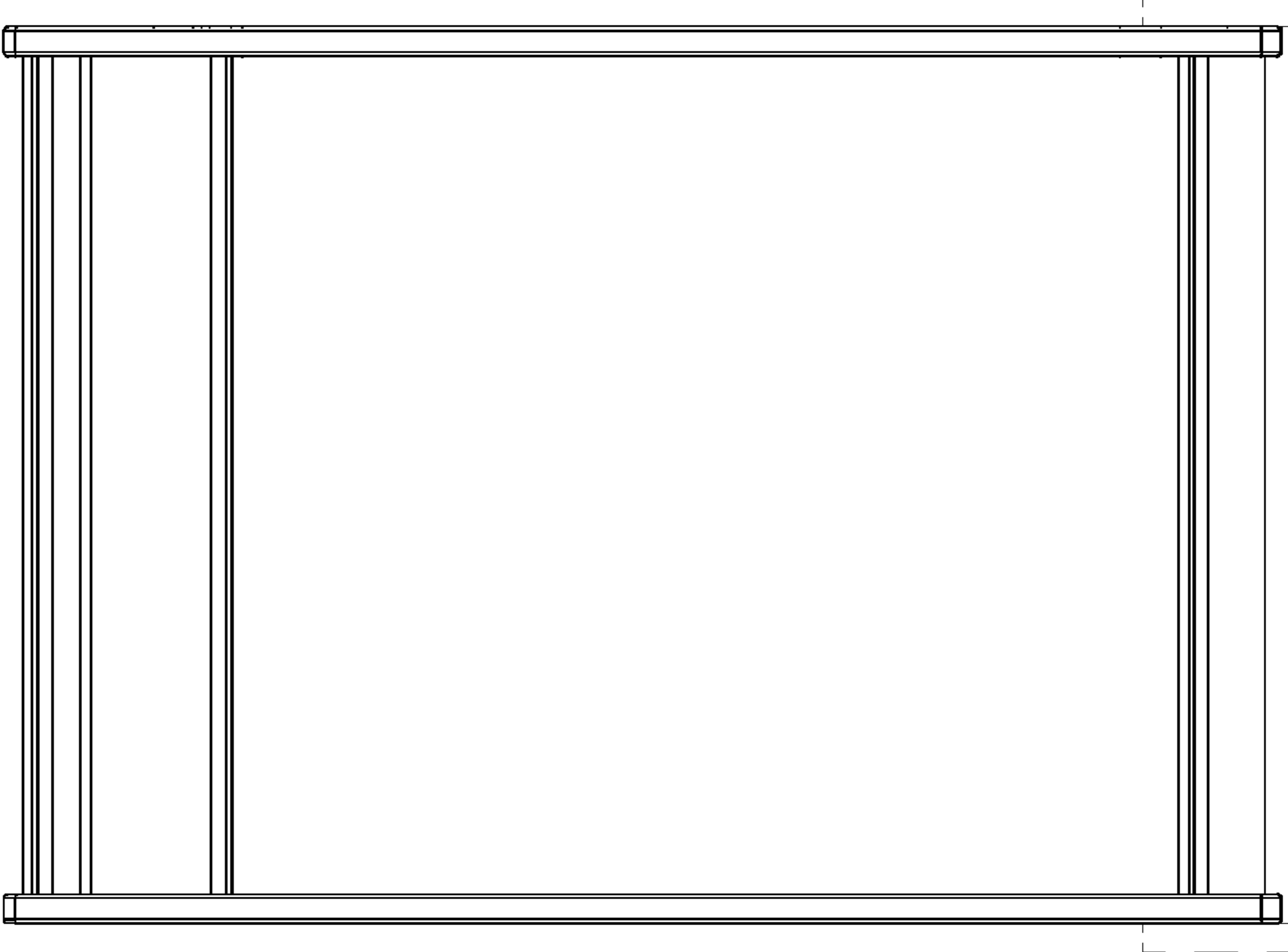


FIG. 2

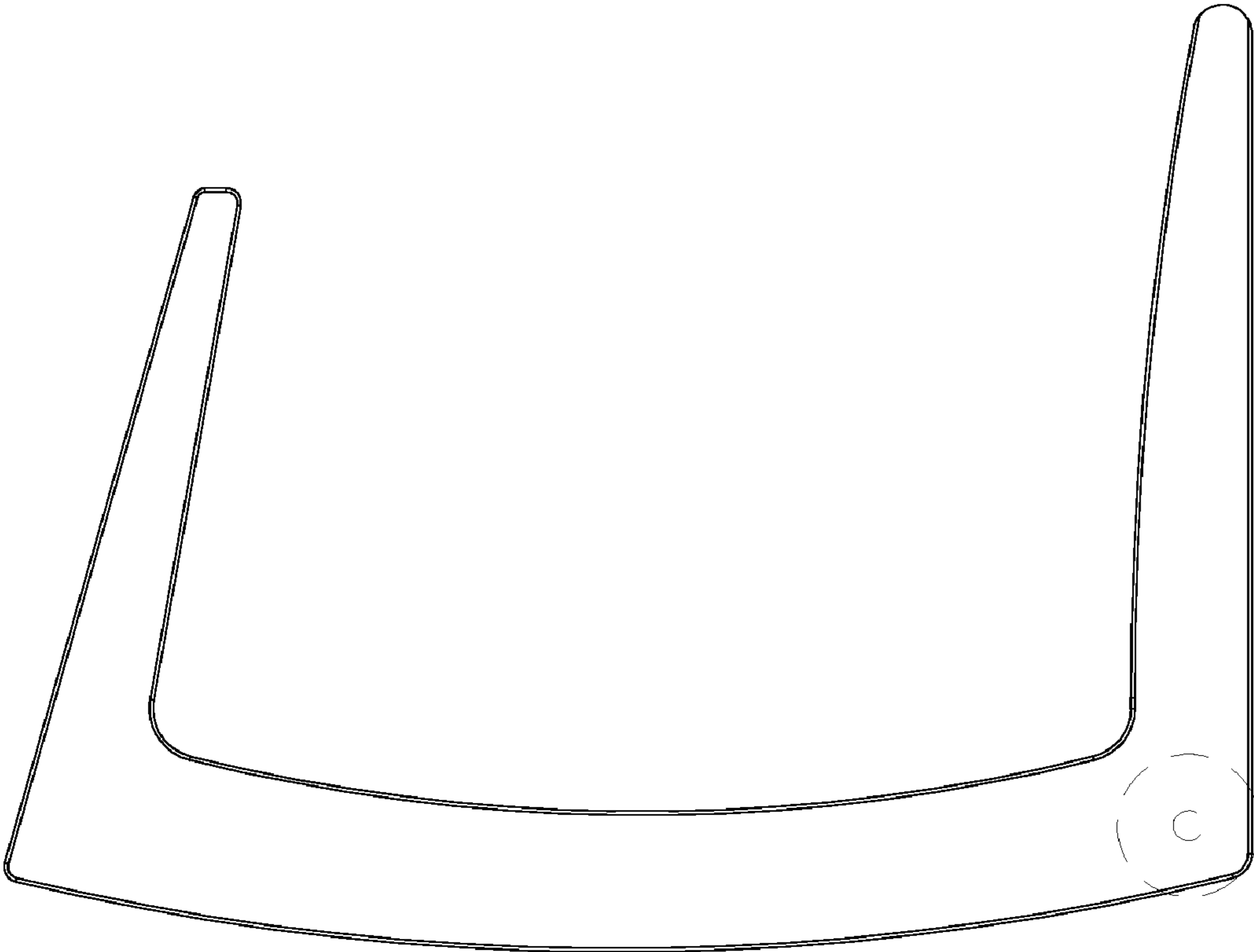


FIG. 3

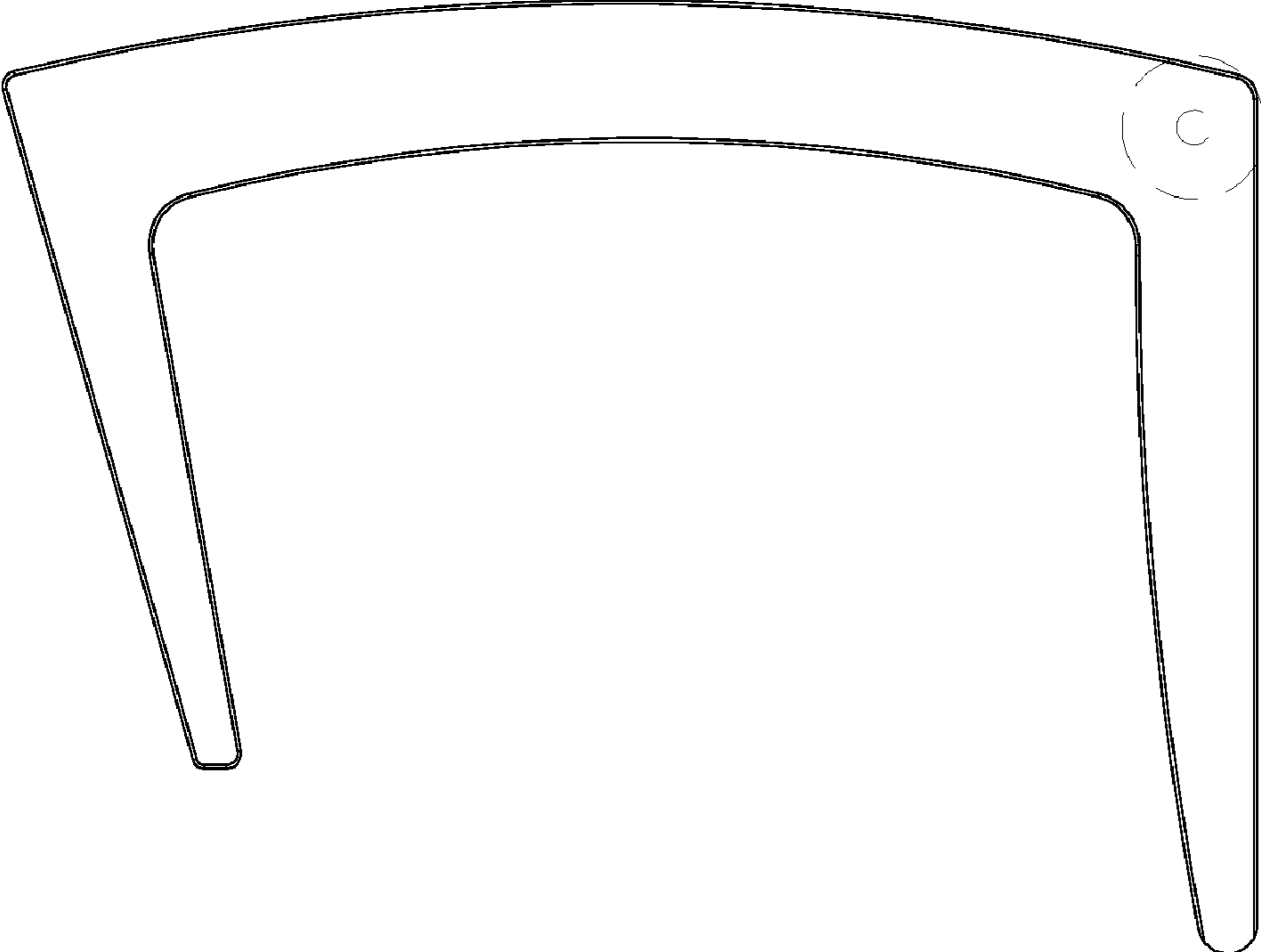


FIG. 4

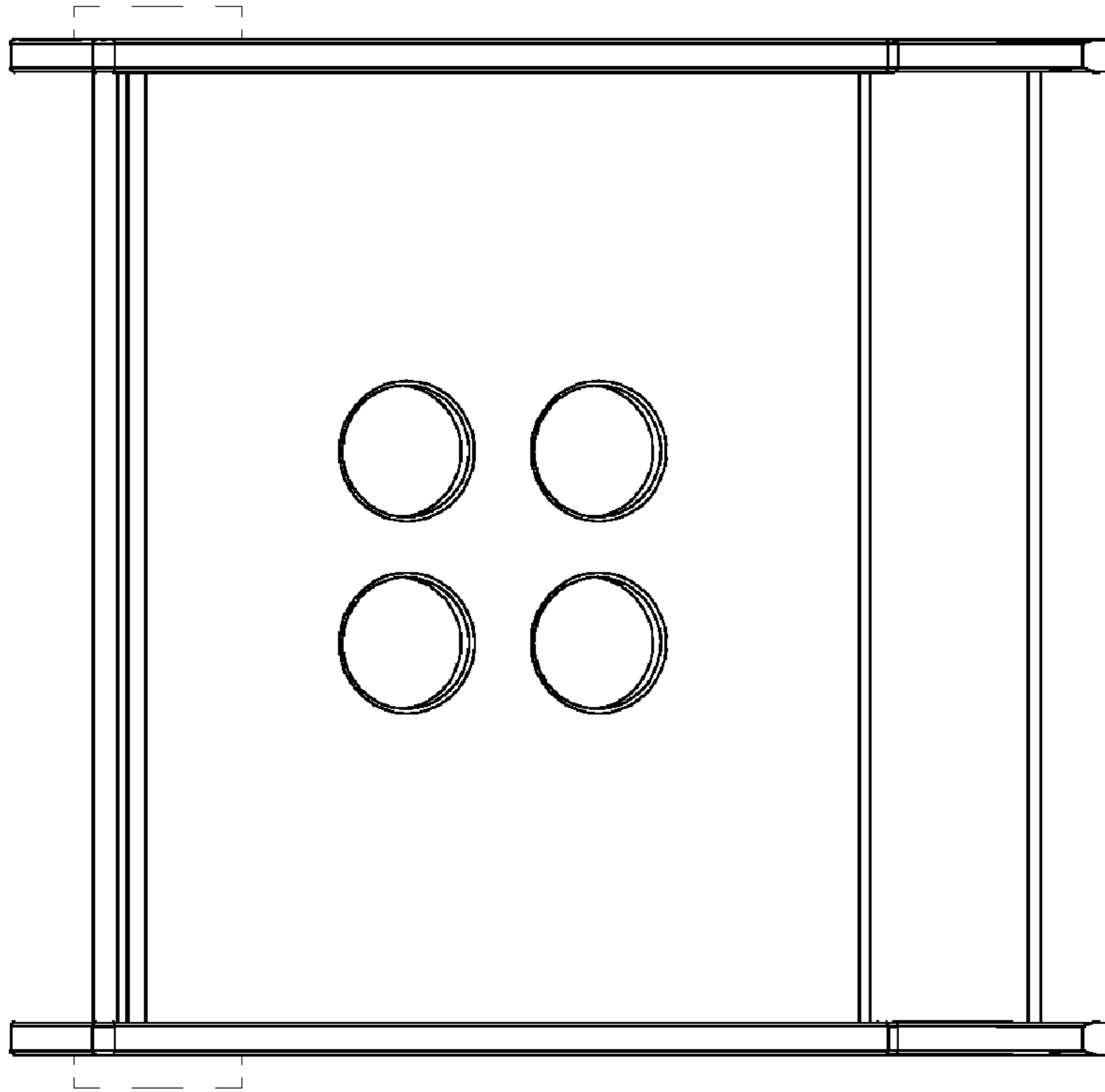


FIG. 5

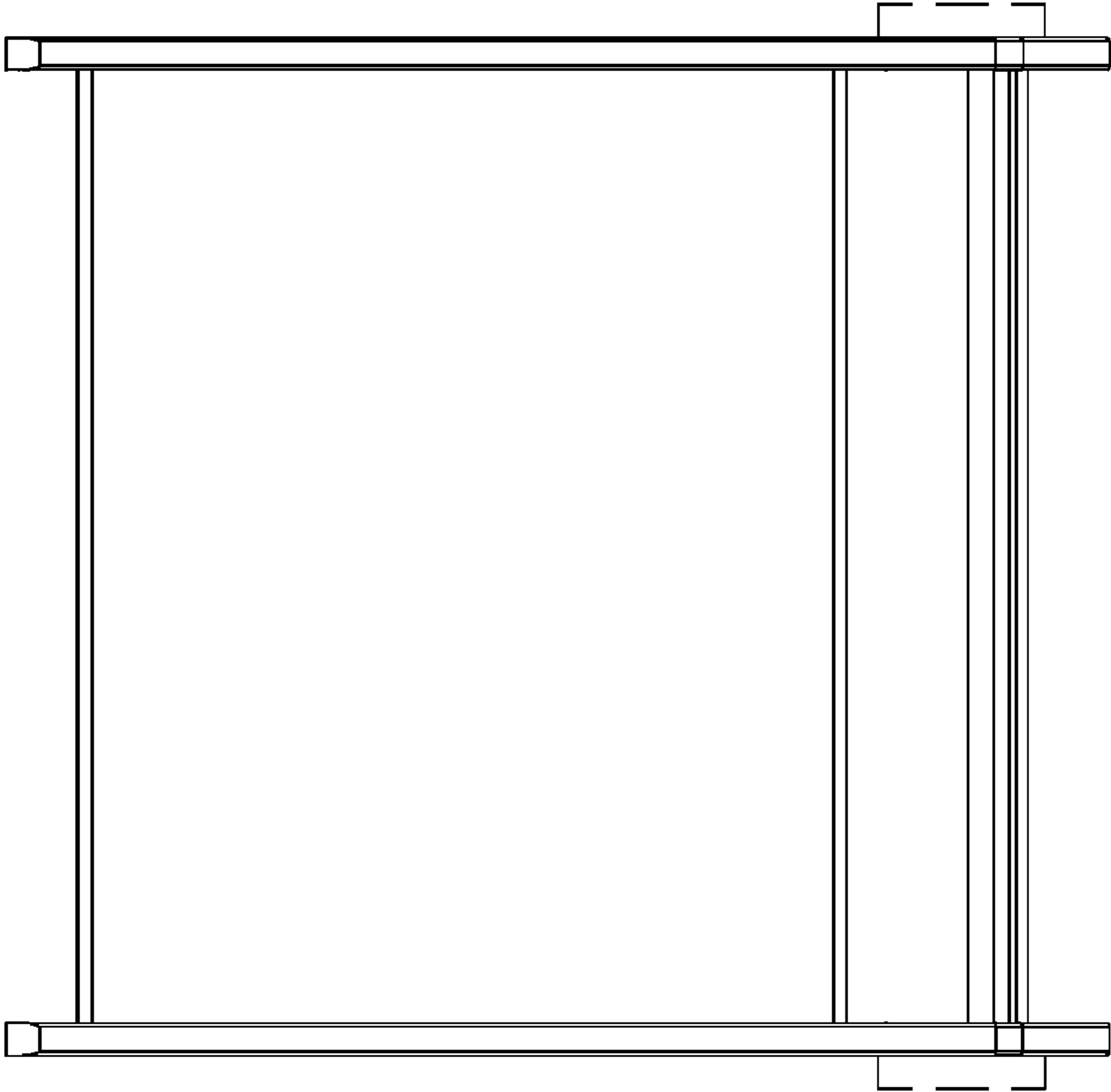


FIG. 6

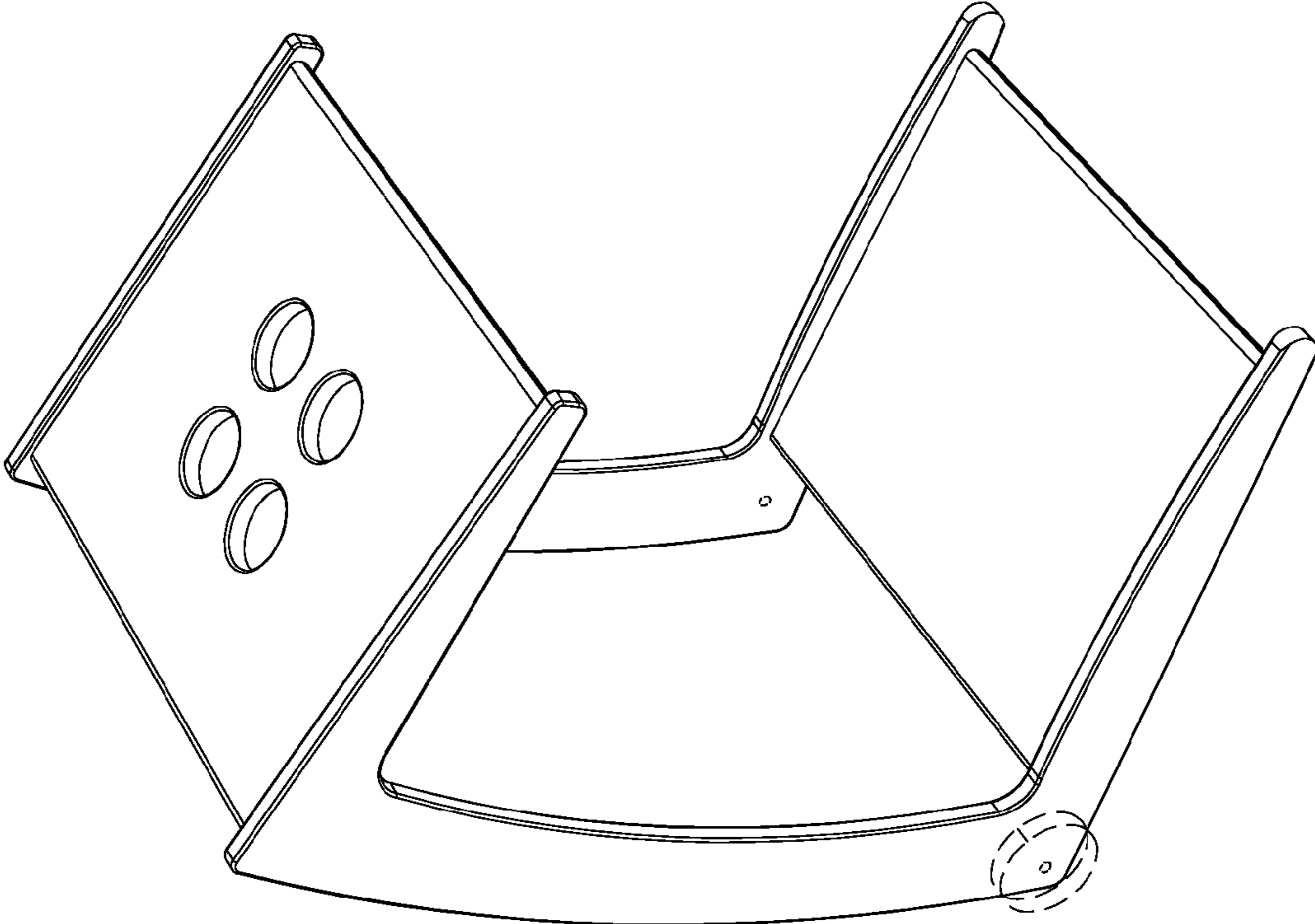


FIG. 7



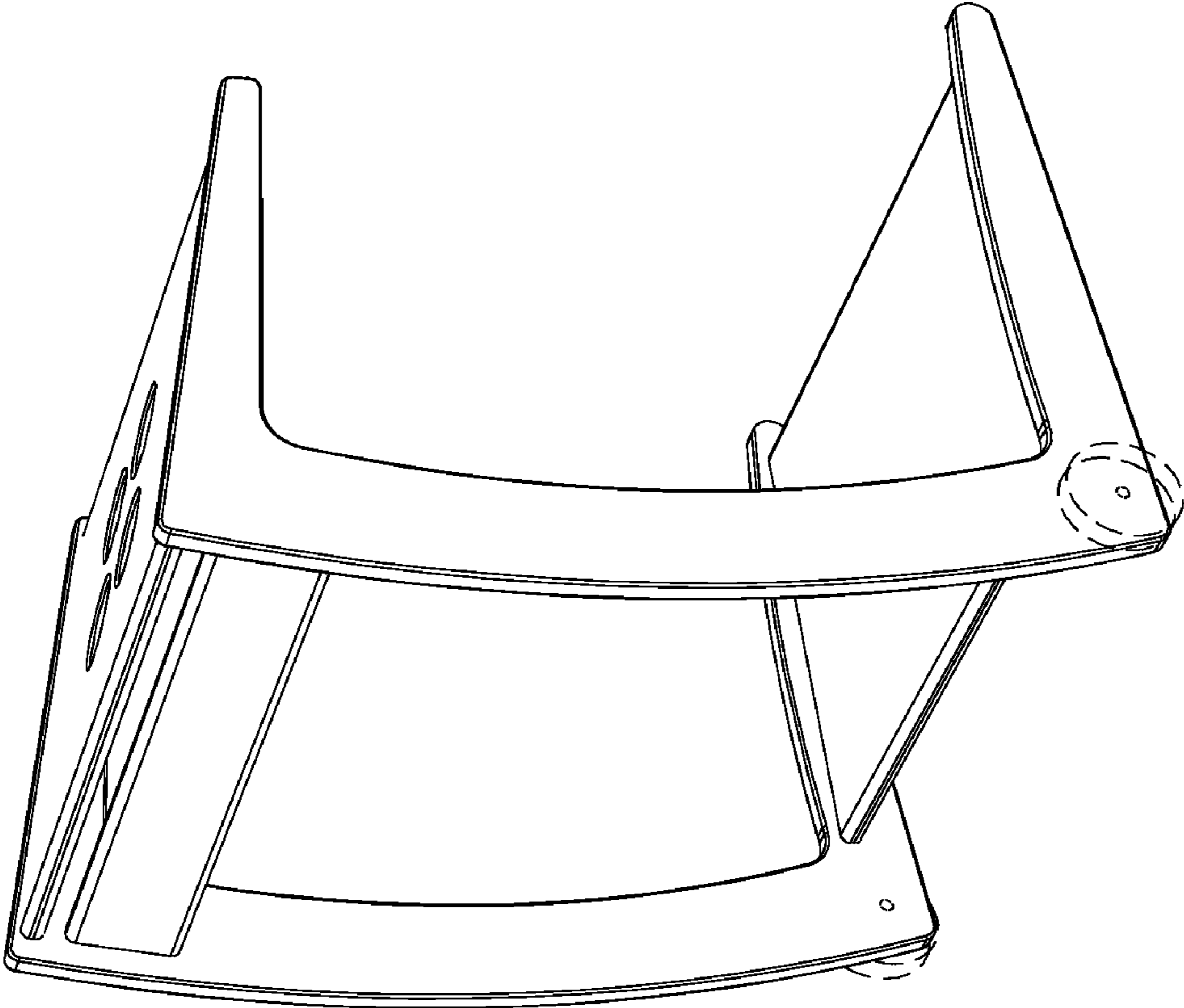


FIG. 8

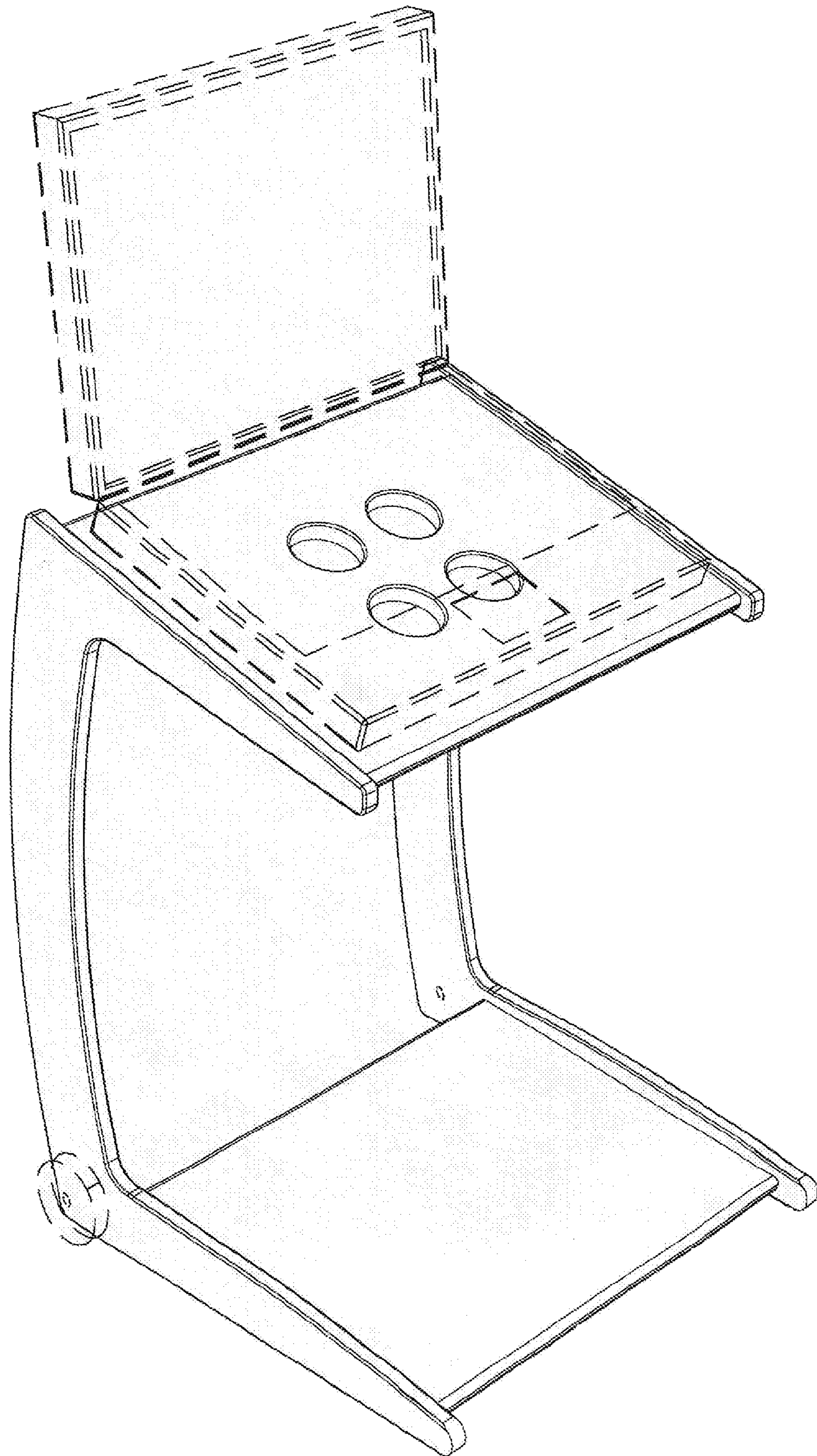


FIG. 9