



US00D564251S

(12) **United States Design Patent**
Doyle et al.

(10) **Patent No.:** **US D564,251 S**
(45) **Date of Patent:** **** Mar. 18, 2008**

(54) **NORTH STAR PLANT CADDY**
(75) Inventors: **Ashley Doyle**, Vancouver (CA); **Simon Walker**, Surrey (CA)
(73) Assignee: **Peak Innovations Inc.**, Richmond, British Columbia (CA)

D420,831 S * 2/2000 Rehmert et al. D6/403
D479,783 S * 9/2003 Ancona D7/388
D481,885 S 11/2003 Sellers
6,655,084 B1 * 12/2003 Missry 47/71
D503,562 S 4/2005 Sellers

(**) Term: **14 Years**
(21) Appl. No.: **29/280,530**
(22) Filed: **May 30, 2007**

FOREIGN PATENT DOCUMENTS

CA REG. NO. 111952 4/2007

* cited by examiner

Primary Examiner—Caron D. Veynar
Assistant Examiner—Garth Rademaker
(74) *Attorney, Agent, or Firm*—Mark Hopkinson

(30) **Foreign Application Priority Data**
Dec. 22, 2006 (CA) 118748

(57) **CLAIM**

The ornamental design for a north star plant caddy, as shown and described.

(51) **LOC (8) Cl.** **11-02**
(52) **U.S. Cl.** **D6/403**
(58) **Field of Classification Search** D6/403–405;
D11/143–149; D99/19; 47/32.7, 33, 41.01,
47/41.1, 41.11, 44–47, 65, 65.5, 66.2, 66.7,
47/67–69, 83, 84
See application file for complete search history.

DESCRIPTION

FIG. 1 is a perspective view the north star plant caddy;
FIG. 2 is a top side view thereof;
FIG. 3 is a bottom side view thereof; and,
FIG. 4 is a right side view thereof.

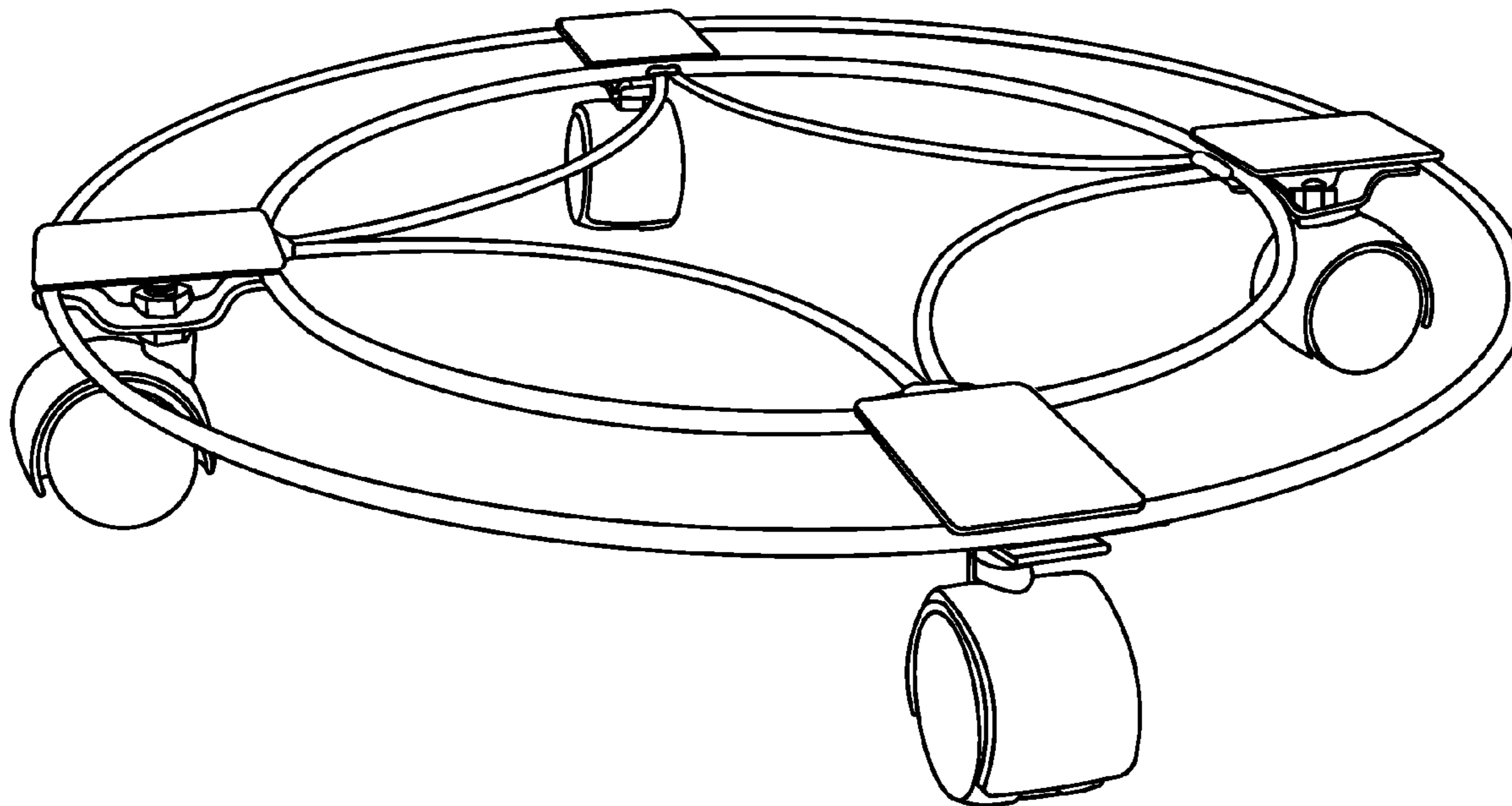
The left side, front side, and rear side, views of the design are the same as the front side view of the design shown in FIG. 4.

(56) **References Cited**

U.S. PATENT DOCUMENTS

D405,290 S * 2/1999 Hollinger D6/403
D410,347 S * 6/1999 Lu D6/403
D411,058 S * 6/1999 Sellers D6/403

1 Claim, 4 Drawing Sheets



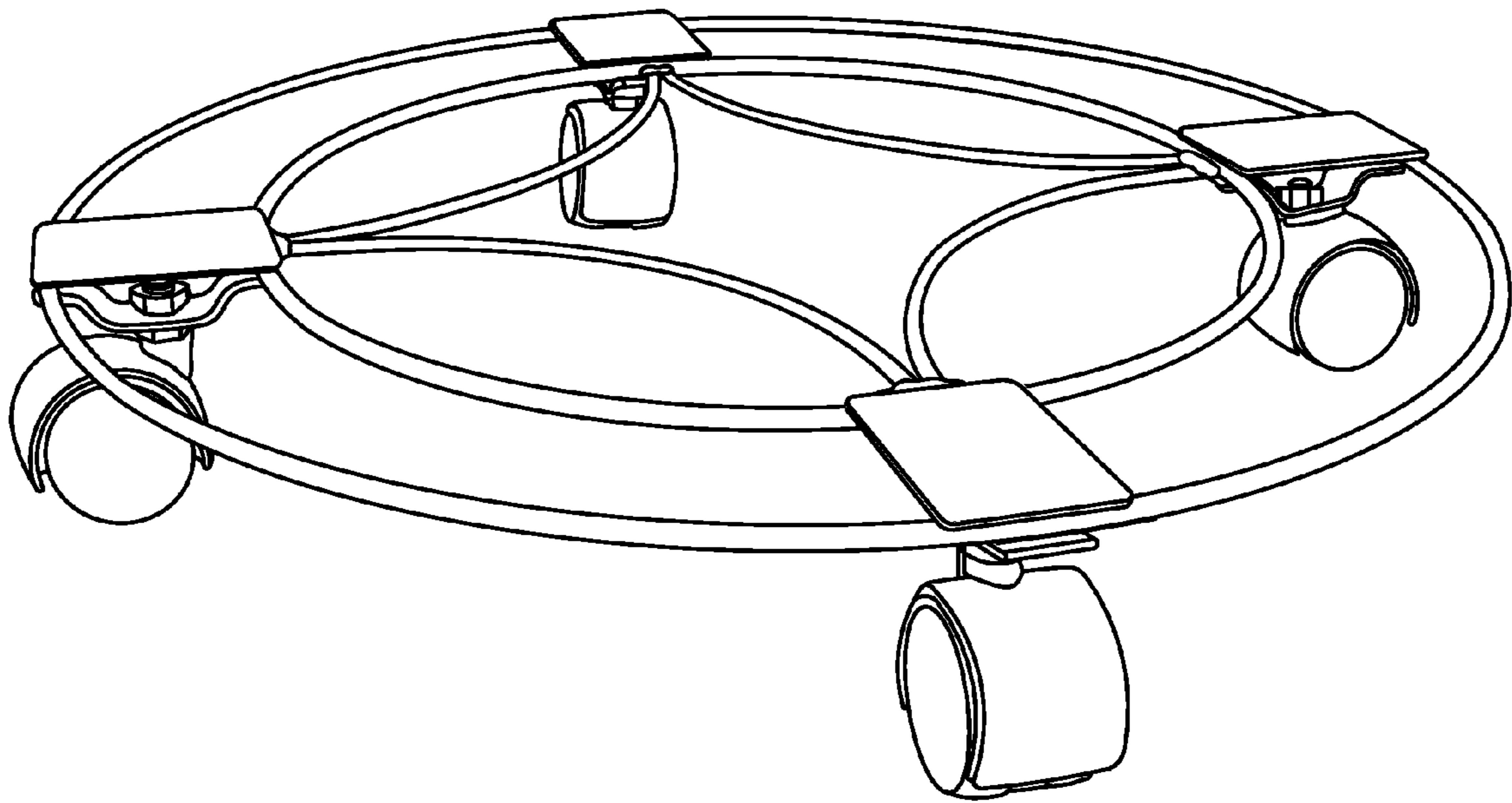


Figure 1

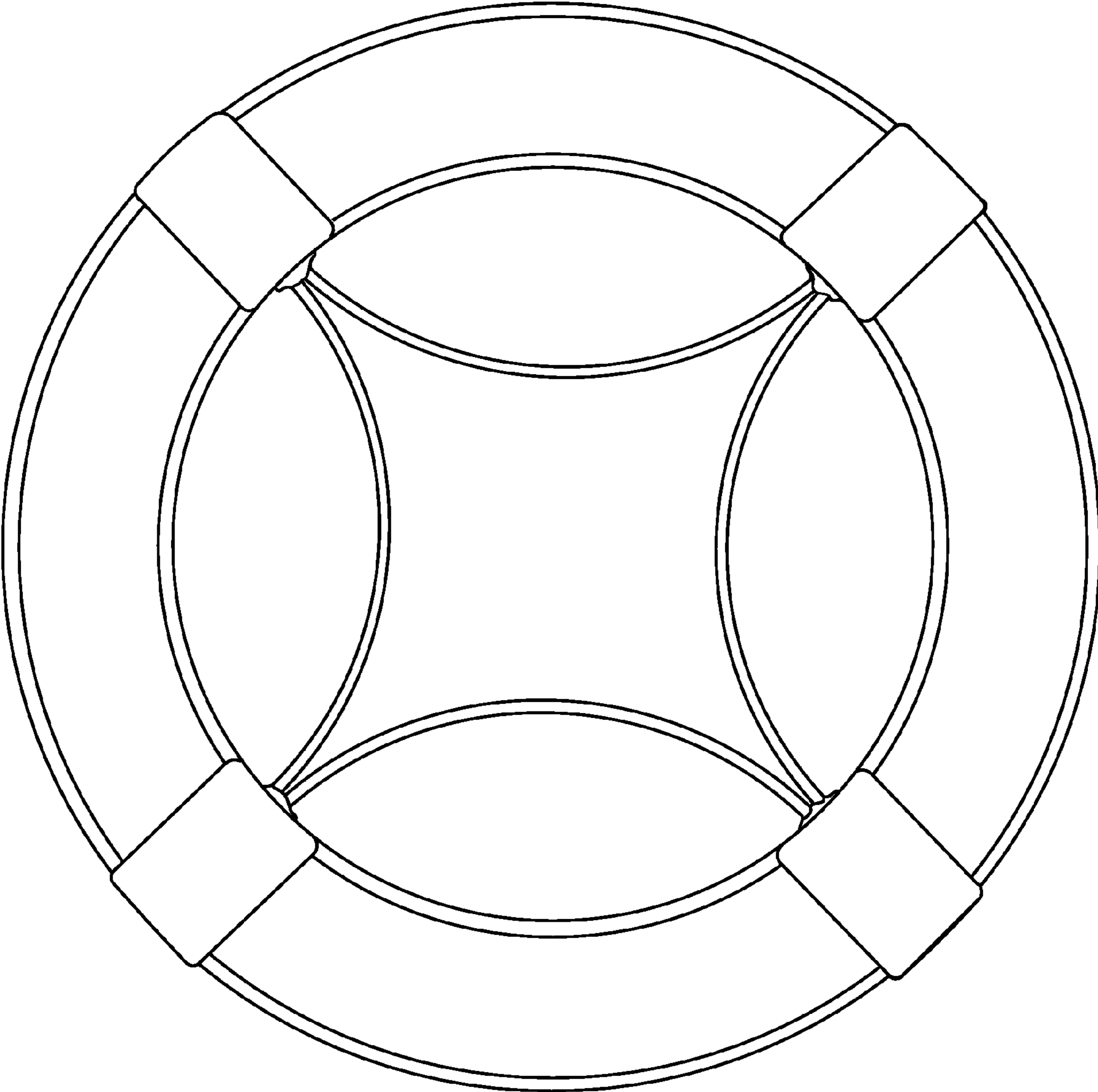


Figure 2

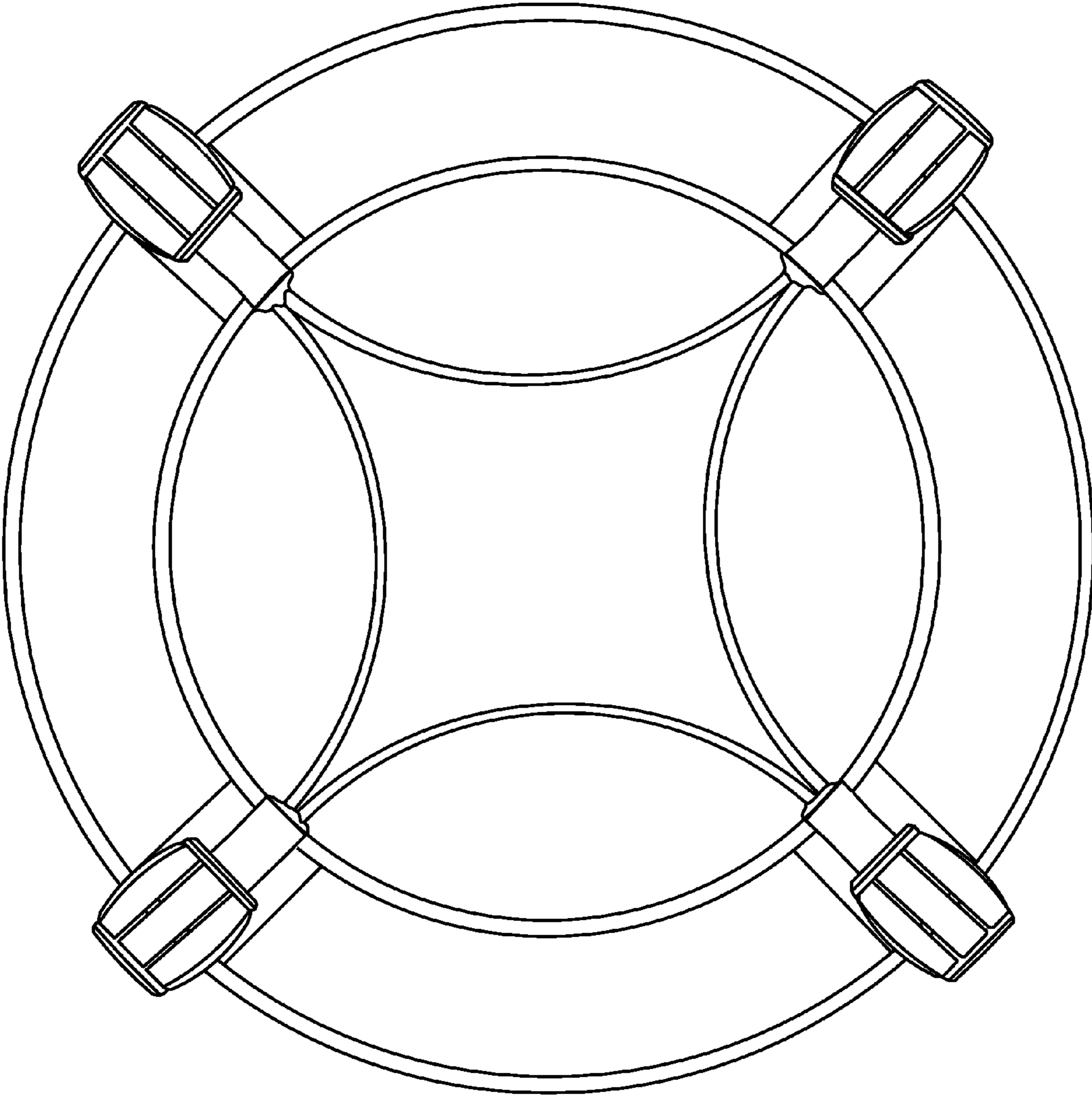


Figure 3

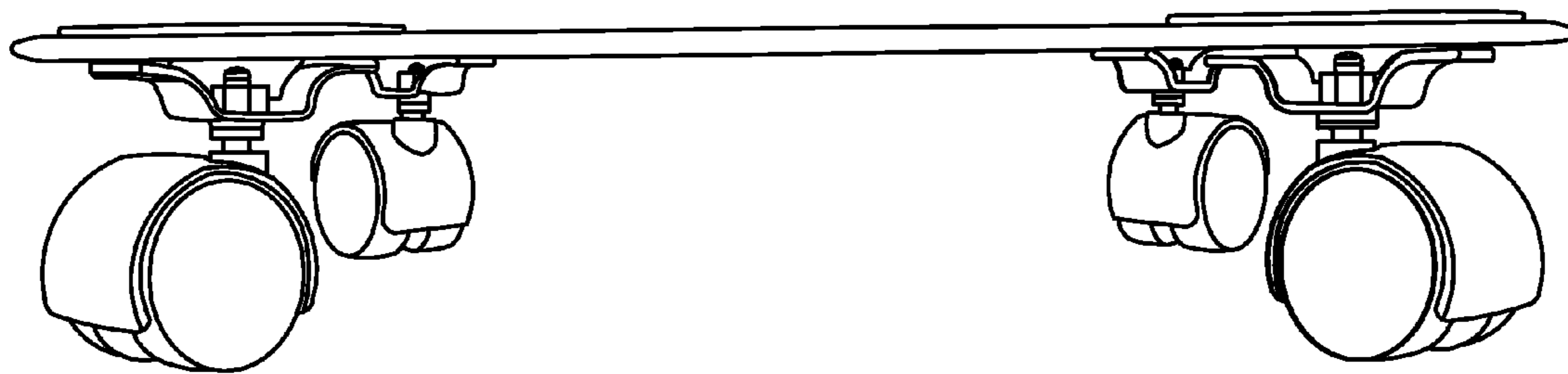


Figure 4