



US00D564246S

(12) **United States Design Patent**
Ferrer Beltrán

(10) **Patent No.:** **US D564,246 S**
(45) **Date of Patent:** **** Mar. 18, 2008**

(54) **CLOTHES HANGER**

D436,743 S * 1/2001 Batts et al. D6/328

(75) Inventor: **José Maria Ferrer Beltrán**, Valencia (ES)

* cited by examiner

(73) Assignee: **Sonia, S.A.**, Bonrepos, Valencia (ES)

Primary Examiner—Stella M. Reid
Assistant Examiner—Shanda C. Hill
(74) *Attorney, Agent, or Firm*—Jacobson Holman PLLC

(**) Term: **14 Years**

(21) Appl. No.: **29/254,704**

(57) **CLAIM**

(22) Filed: **Feb. 28, 2006**

I claim the ornamental design for the clothes hanger, as shown and described.

(51) **LOC (8) Cl.** **06-08**

(52) **U.S. Cl.** **D6/367**

(58) **Field of Classification Search** D6/315,
D6/317–319, 323, 325, 326, 328; D8/72;
D11/215; 211/8, 13.1, 85.3; 223/85–98;
24/504, 511, 536, 545

See application file for complete search history.

DESCRIPTION

(56) **References Cited**

U.S. PATENT DOCUMENTS

D251,345 S *	3/1979	Bigelow et al.	D6/328
D277,534 S *	2/1985	Warmath	D6/328
4,716,634 A *	1/1988	Fan	24/545
D296,729 S *	7/1988	Blanchard	D6/328
D298,387 S *	11/1988	Duester	D6/328
D303,590 S *	9/1989	Pelosi	D6/328
D307,982 S *	5/1990	Duester	D6/328
D315,992 S *	4/1991	Tremblay et al.	D6/328
D316,333 S *	4/1991	Maki	D6/328
D323,588 S *	2/1992	Pelosi	D6/328
5,183,191 A *	2/1993	Garrison et al.	223/96
D334,096 S *	3/1993	Blanchard	D6/328

FIG. 1 is a front perspective view of a clothes hanger embodying my design;

FIG. 2 is a rear perspective view of the clothes hanger as shown in FIG. 1;

FIG. 3 is a top plan view of the clothes hanger as shown in FIG. 1;

FIG. 4 is a bottom view of the clothes hanger as shown in FIG. 1;

FIG. 5 is a front elevational view of the clothes hanger as shown in FIG. 1;

FIG. 6 is a rear elevational view of the clothes hanger as shown in FIG. 1;

FIG. 7 is a left side elevational view of the clothes hanger as shown in FIG. 1; and,

FIG. 8 is a right side elevational view of the clothes hanger as shown in FIG. 1.

1 Claim, 3 Drawing Sheets

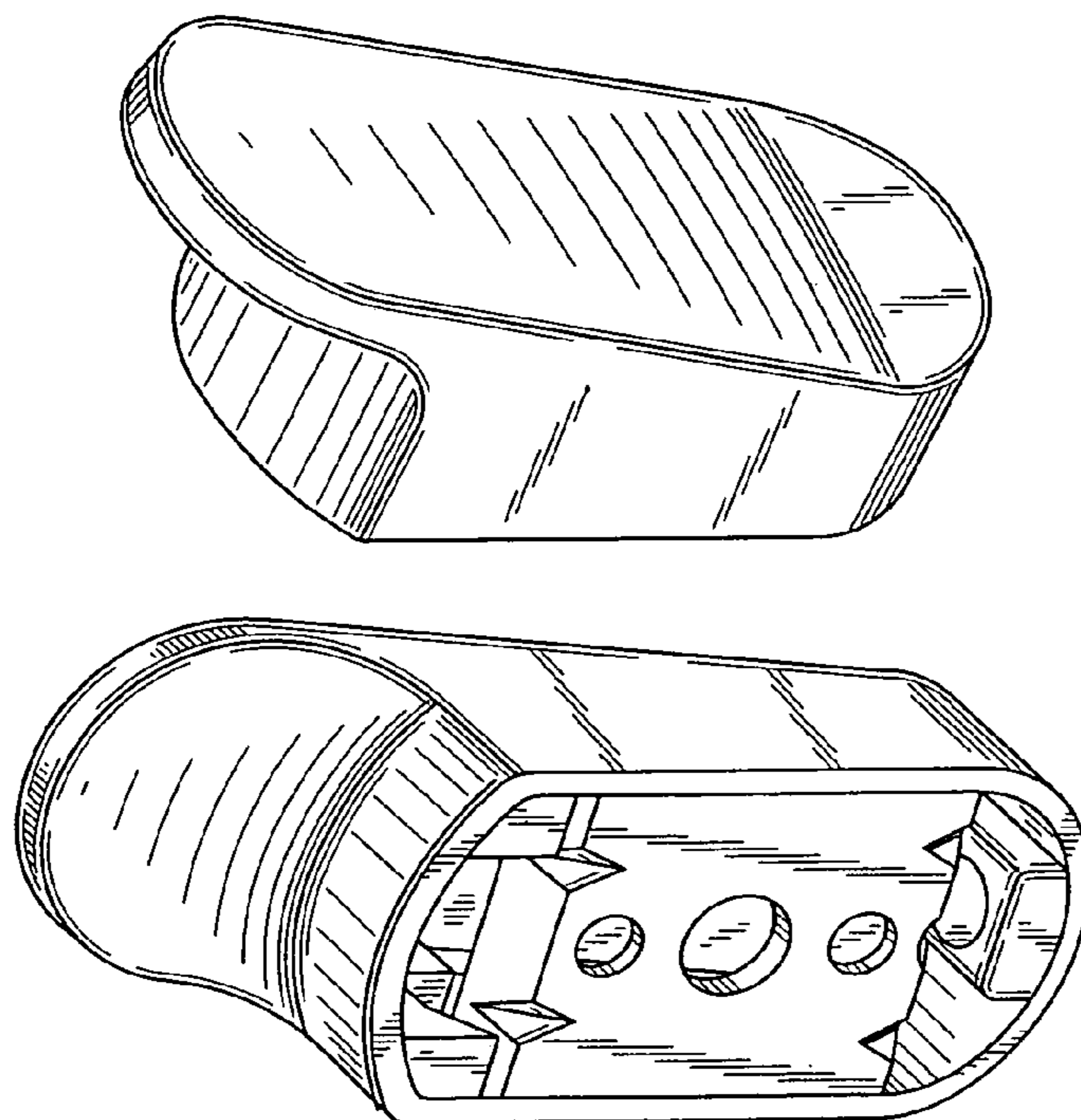


FIG. 1

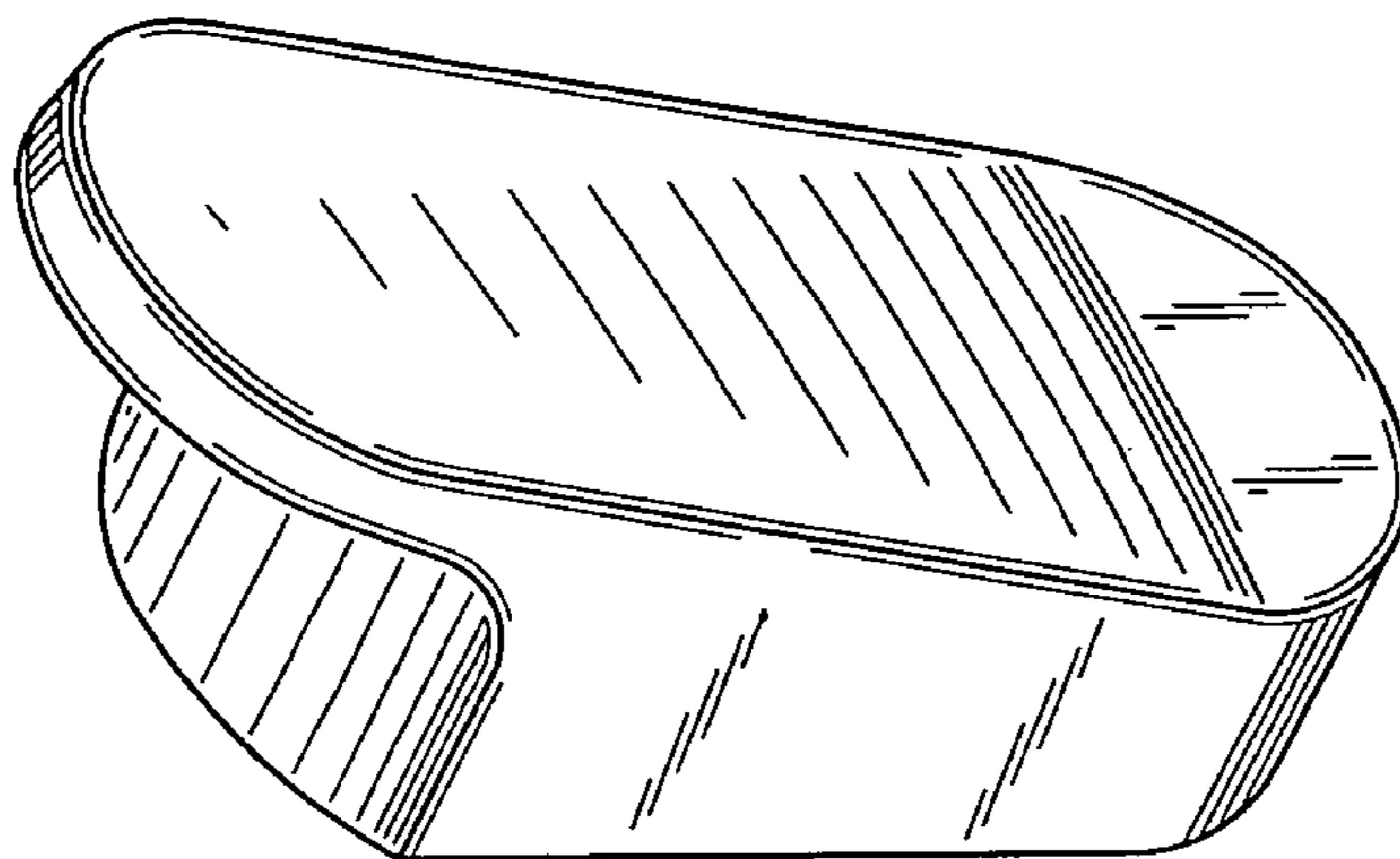


FIG. 2

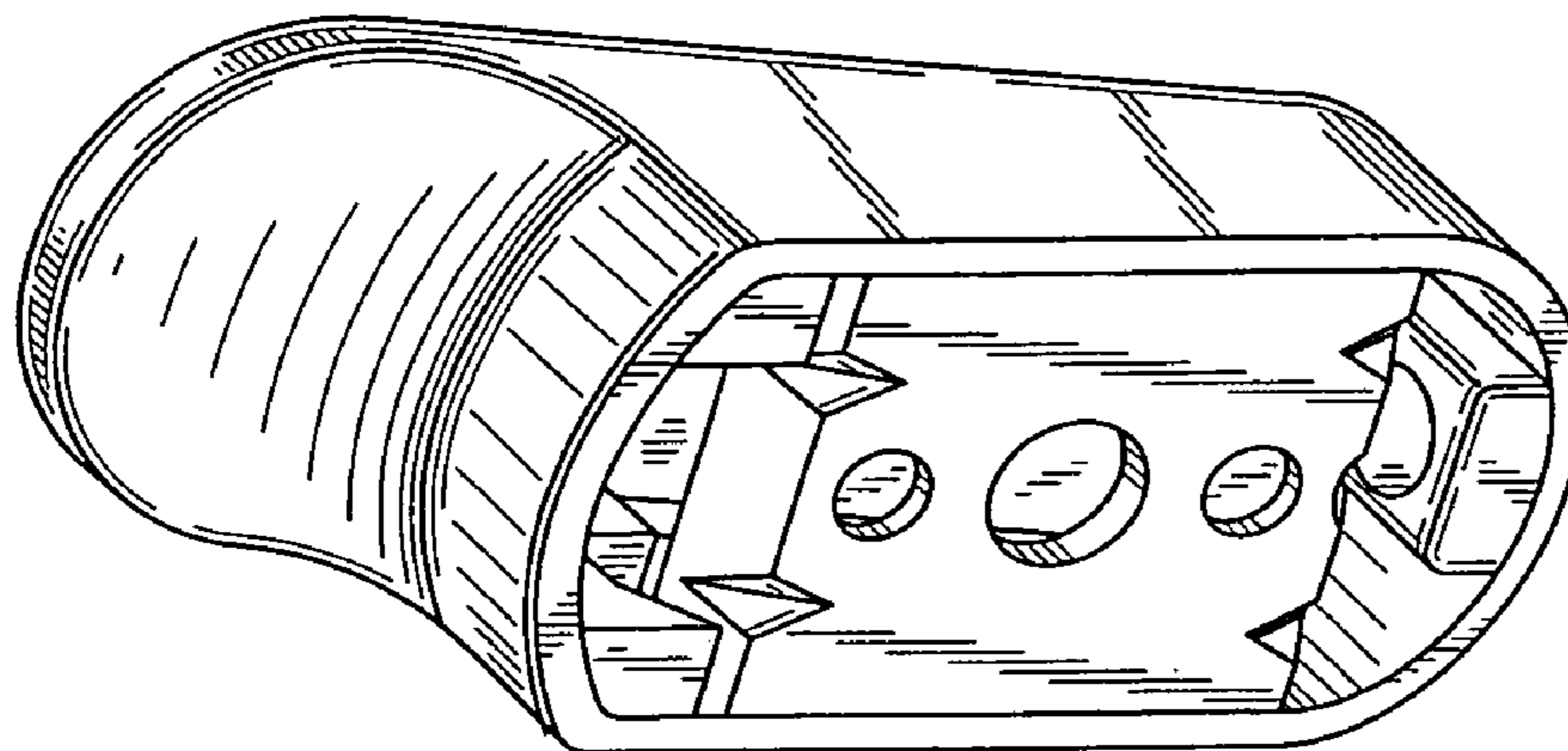


FIG. 3

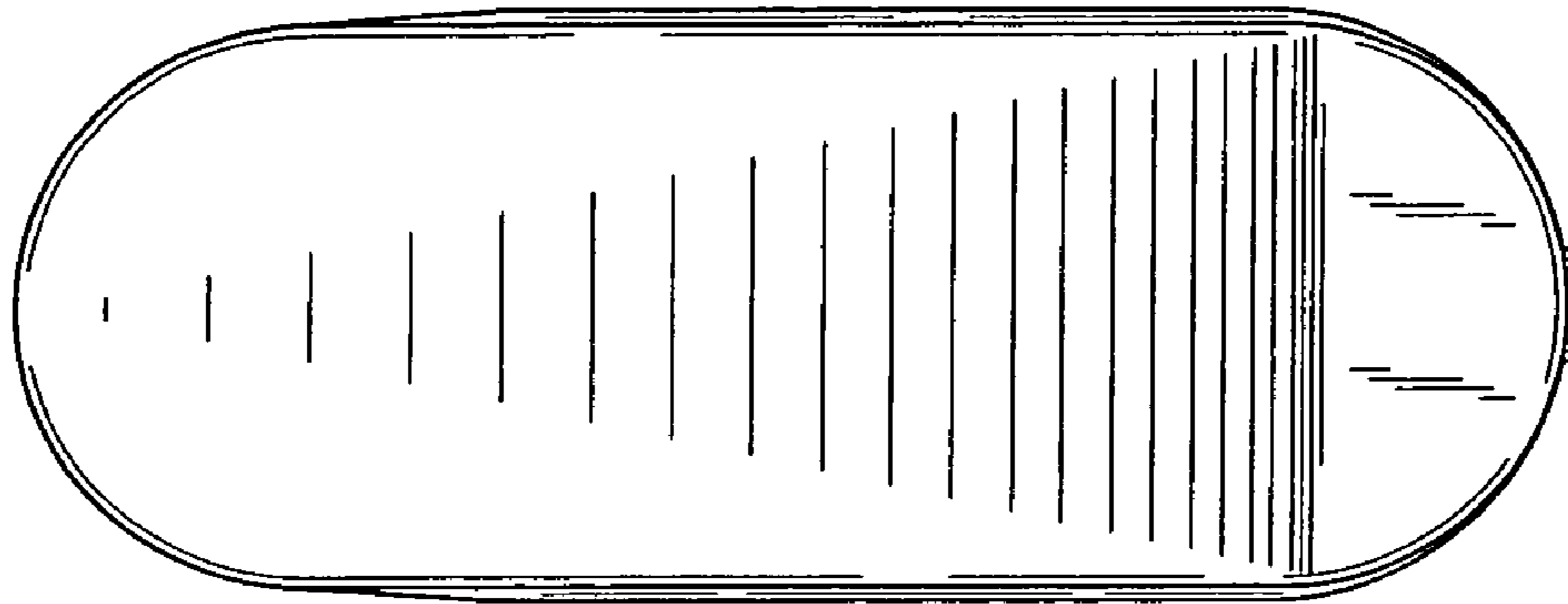


FIG. 4

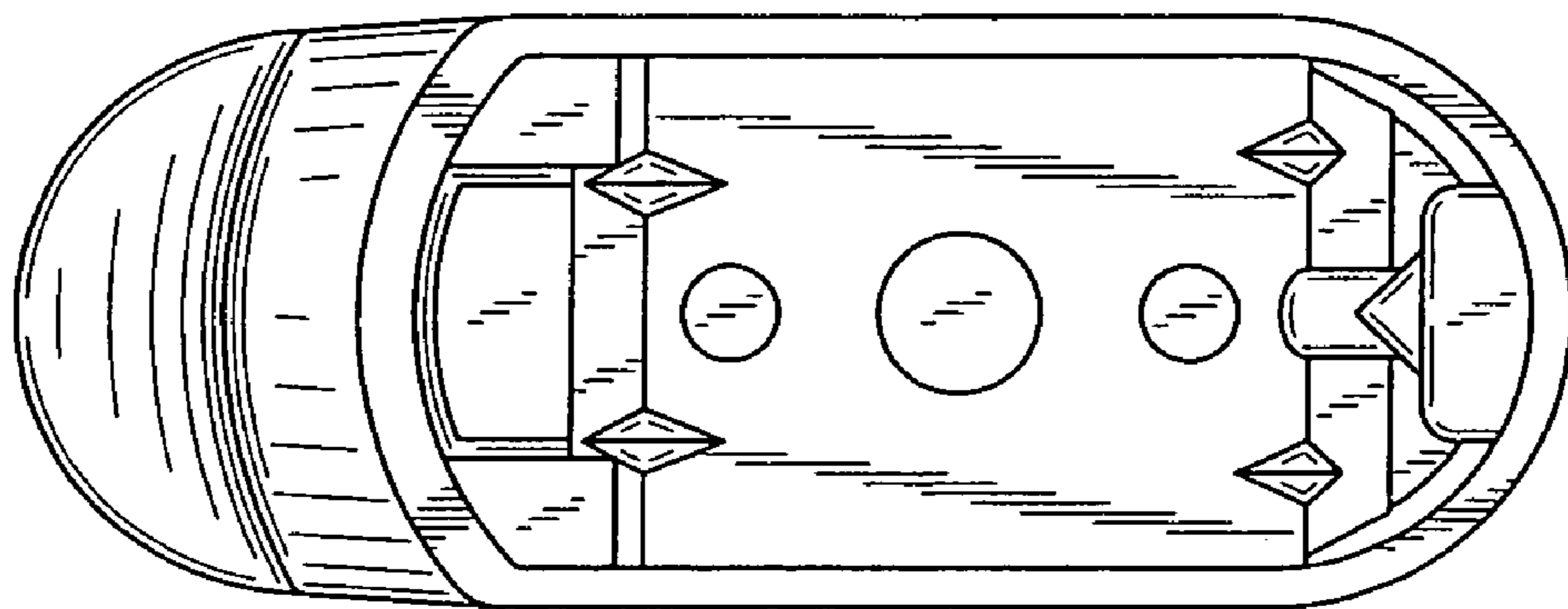


FIG. 5

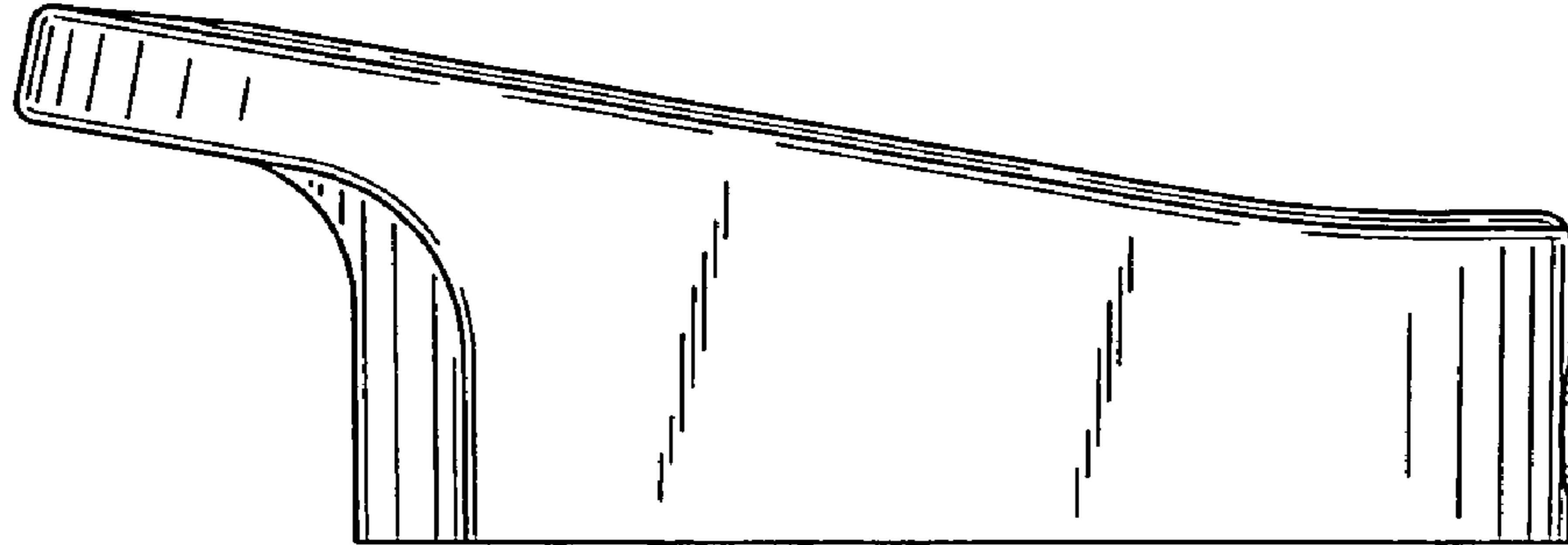


FIG. 6

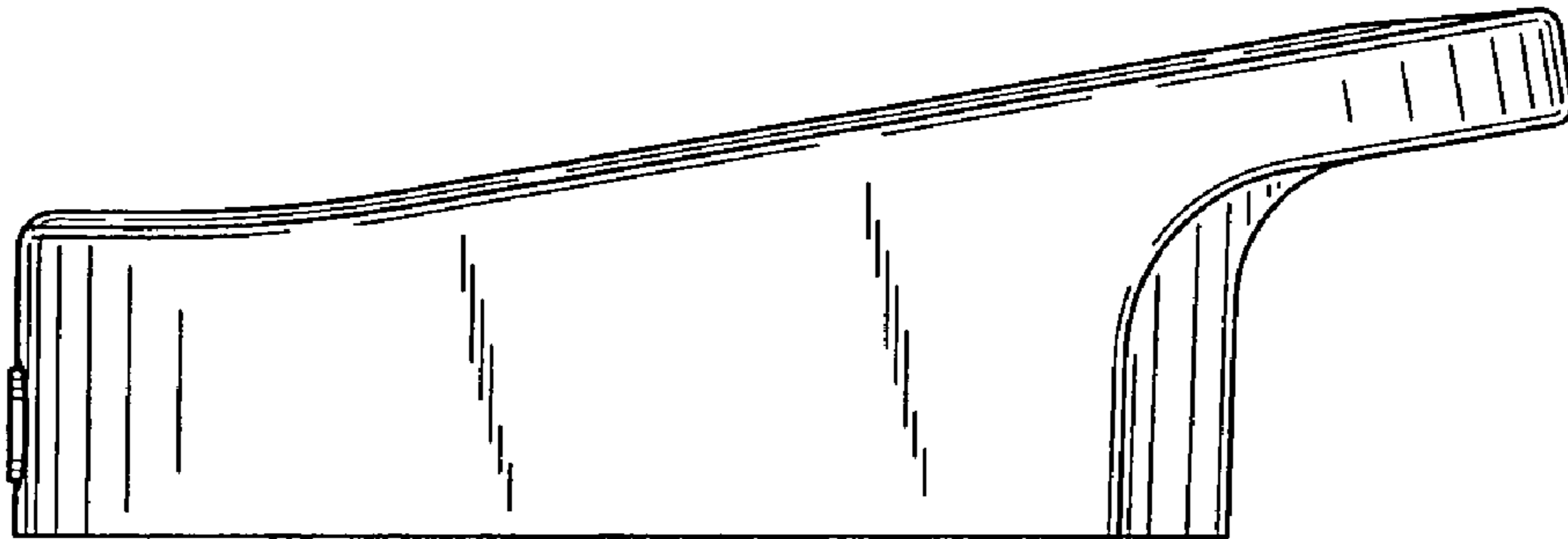


FIG. 7

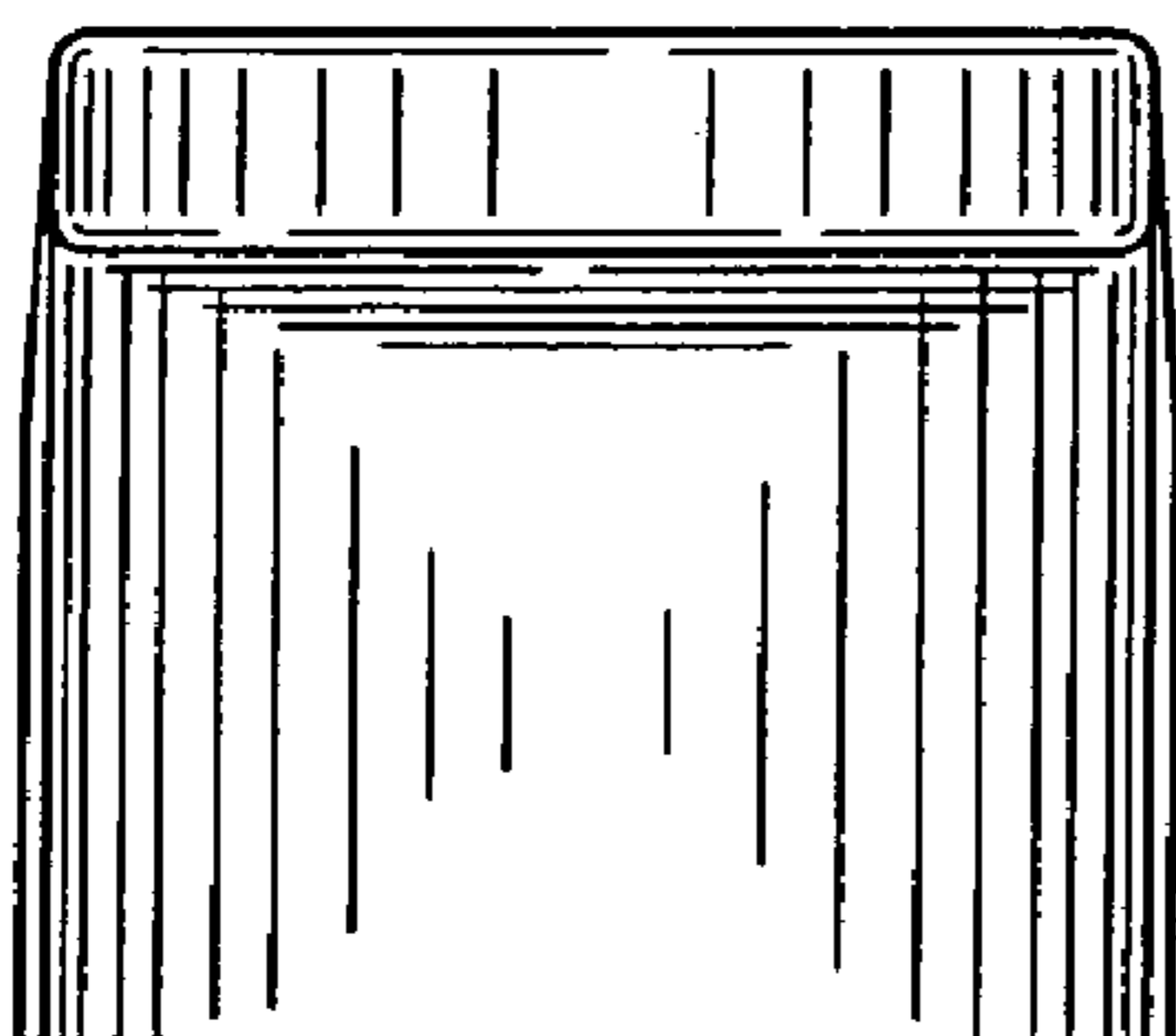


FIG. 8

