



US00D564245S

(12) **United States Design Patent**
Dauphin

(10) **Patent No.:** **US D564,245 S**

(45) **Date of Patent:** **** Mar. 18, 2008**

(54) **CHAIR**

(75) Inventor: **Elke Dauphin**, Offenhausen (DE)

(73) Assignee: **Dauphin Entwicklungs - und Beteiligungs GmbH**, Hersbruck (DE)

(**) Term: **14 Years**

(21) Appl. No.: **29/223,599**

(22) Filed: **Feb. 17, 2005**

(30) **Foreign Application Priority Data**

Aug. 17, 2004 (EM) 215249

(51) **LOC (8) Cl.** **06-01**

(52) **U.S. Cl.** **D6/366**

(58) **Field of Classification Search** D6/364-367,
D6/379, 498, 500-502; 297/411.2, 411.27,
297/411.28, 411.36, 452.29, 284.4, 452.3,
297/391, 393

See application file for complete search history.

(56) **References Cited**

U.S. PATENT DOCUMENTS

D313,703 S * 1/1991 Moschini et al. D6/366
D360,769 S * 8/1995 Groulx et al. D6/372
D405,618 S * 2/1999 Reutepohler et al. D6/366

D418,316 S * 1/2000 Vogtherr D6/366
D430,746 S * 9/2000 Gagnon et al. D6/366
D437,701 S * 2/2001 Bellini et al. D6/366
D446,400 S * 8/2001 Schultz et al. D6/373
D481,548 S * 11/2003 Piretti D6/366
D483,192 S * 12/2003 Frenkler et al. D6/366

* cited by examiner

Primary Examiner—Robert M. Spear

Assistant Examiner—Katrina A Kile

(74) *Attorney, Agent, or Firm*—Browdy and Neimark, PLLC

(57) **CLAIM**

The ornamental design for a chair, as shown.

DESCRIPTION

FIG. 1 is a perspective view of a chair according to my new design;

FIG. 2 is a left side elevational view thereof, the right side elevational view being a mirror image;

FIG. 3 is a front elevational view thereof;

FIG. 4 is a rear elevational view thereof;

FIG. 5 is a top plan view thereof; and,

FIG. 6 is a bottom plan view thereof.

1 Claim, 3 Drawing Sheets



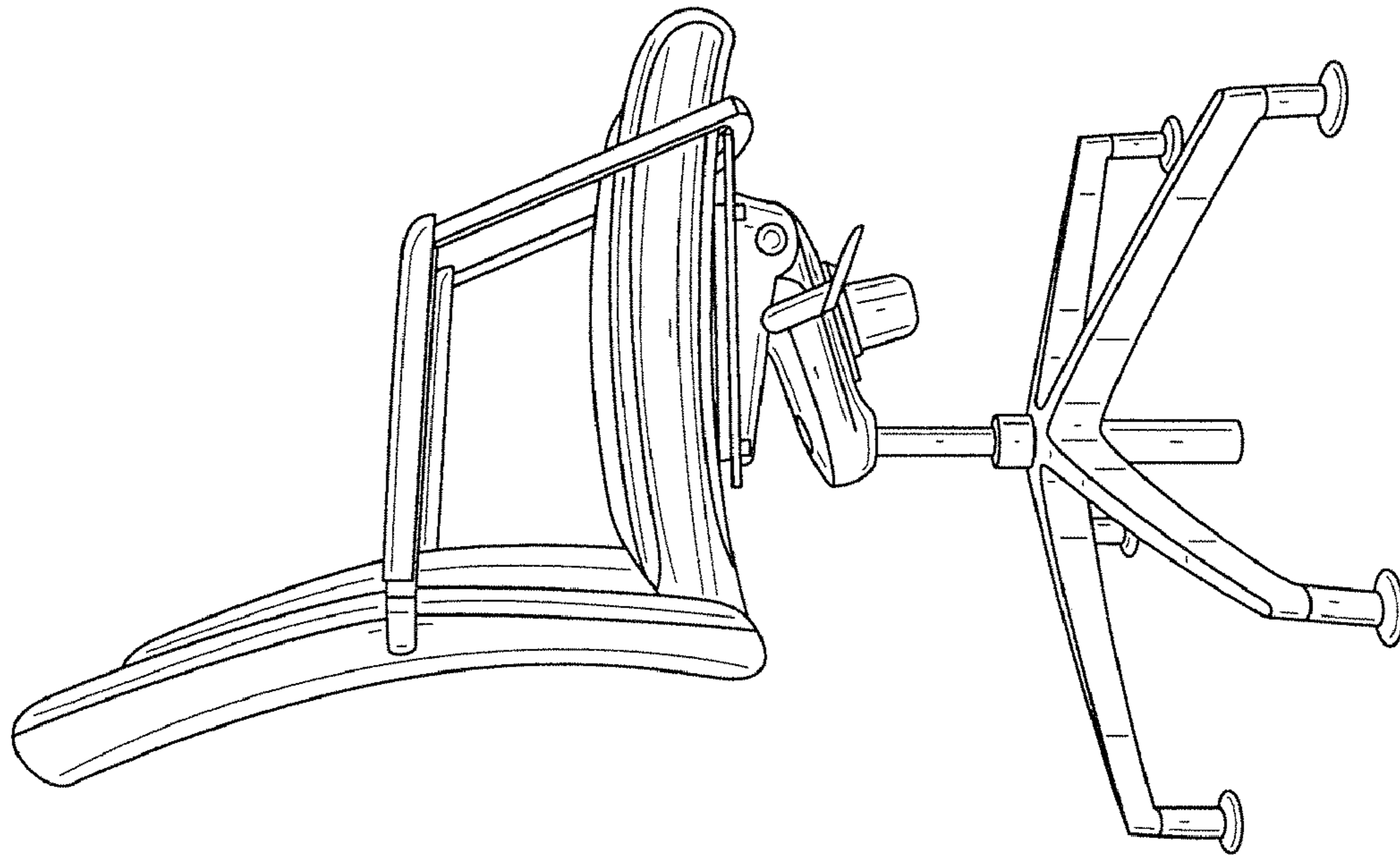


FIG. 2

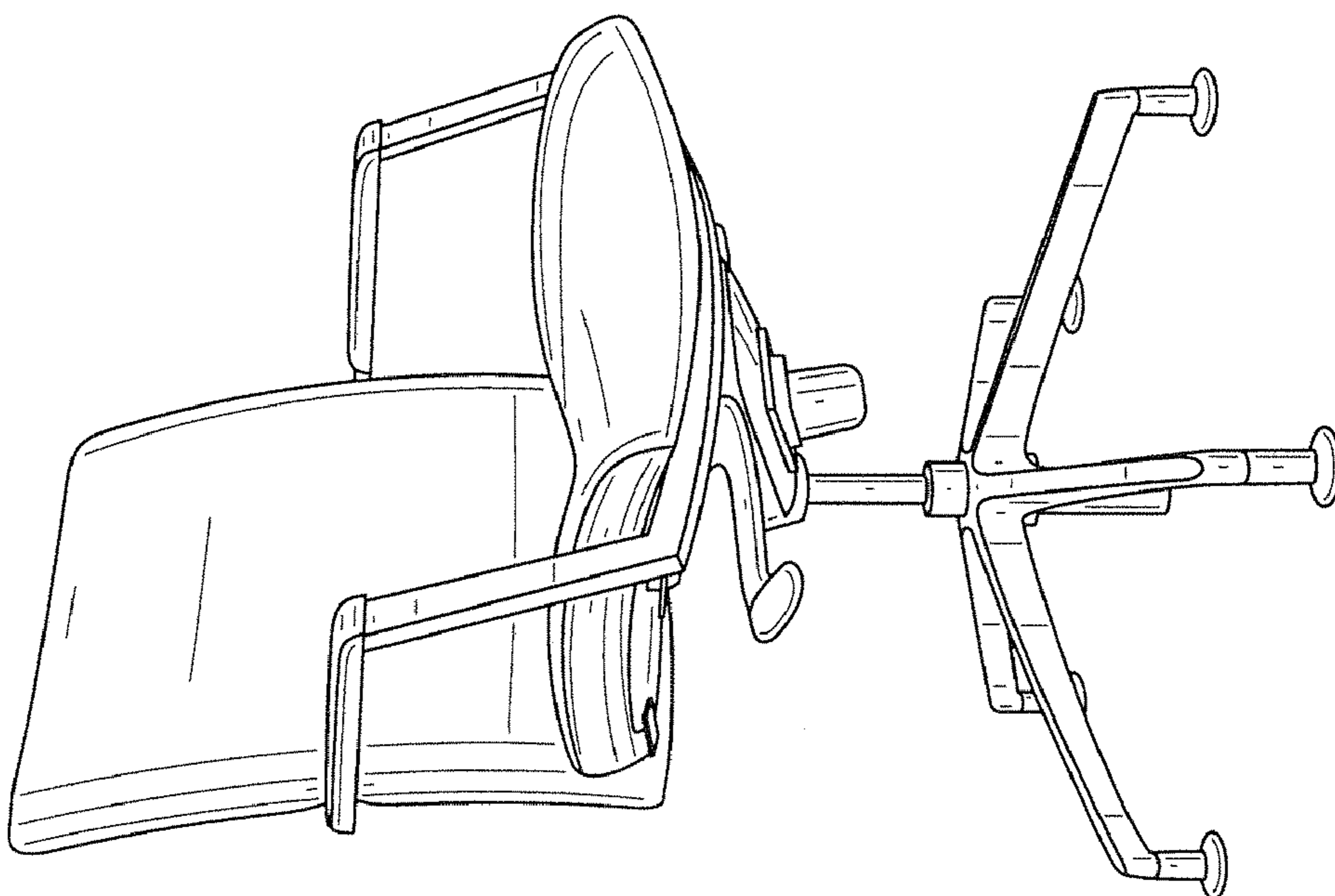


FIG. 1

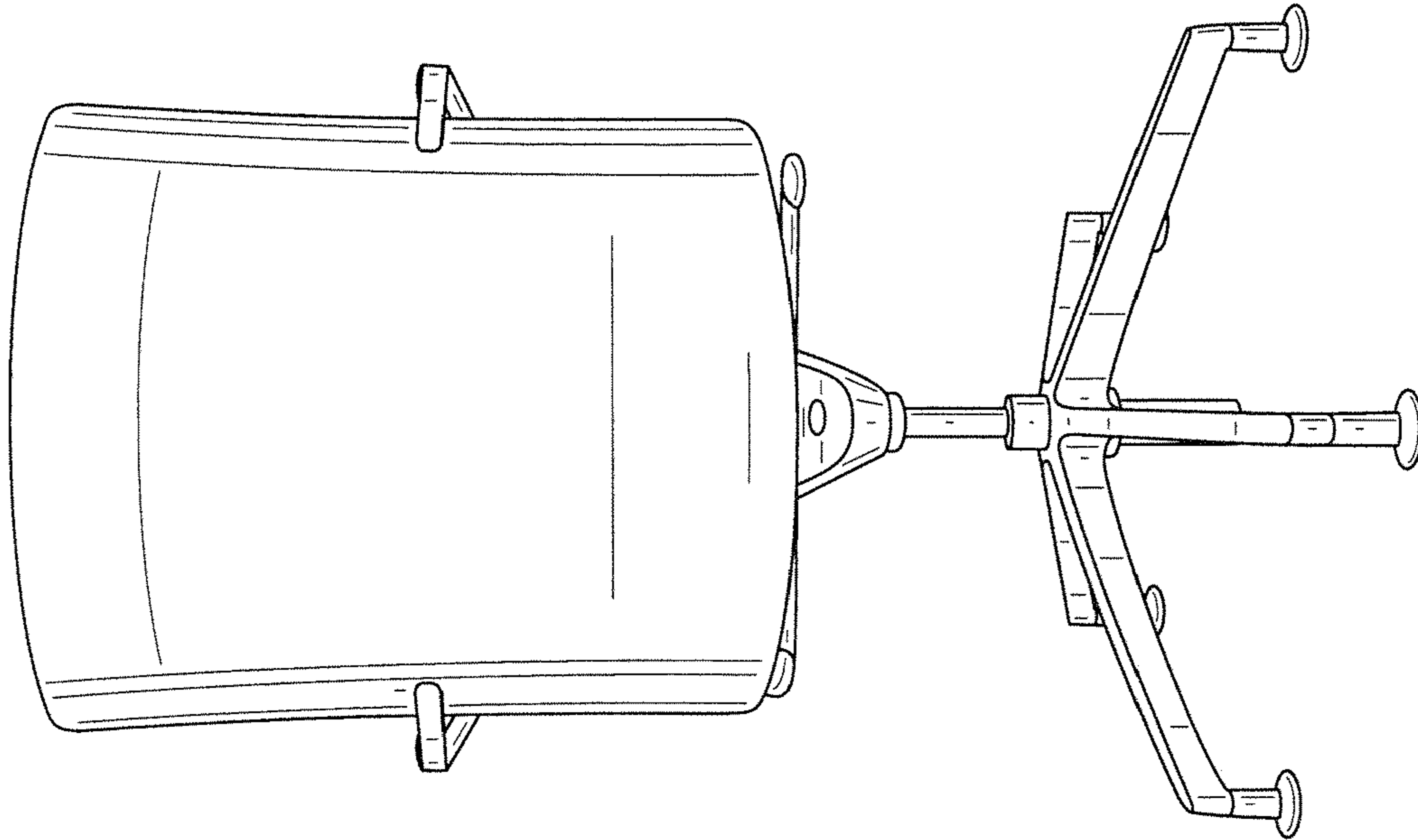


FIG. 4

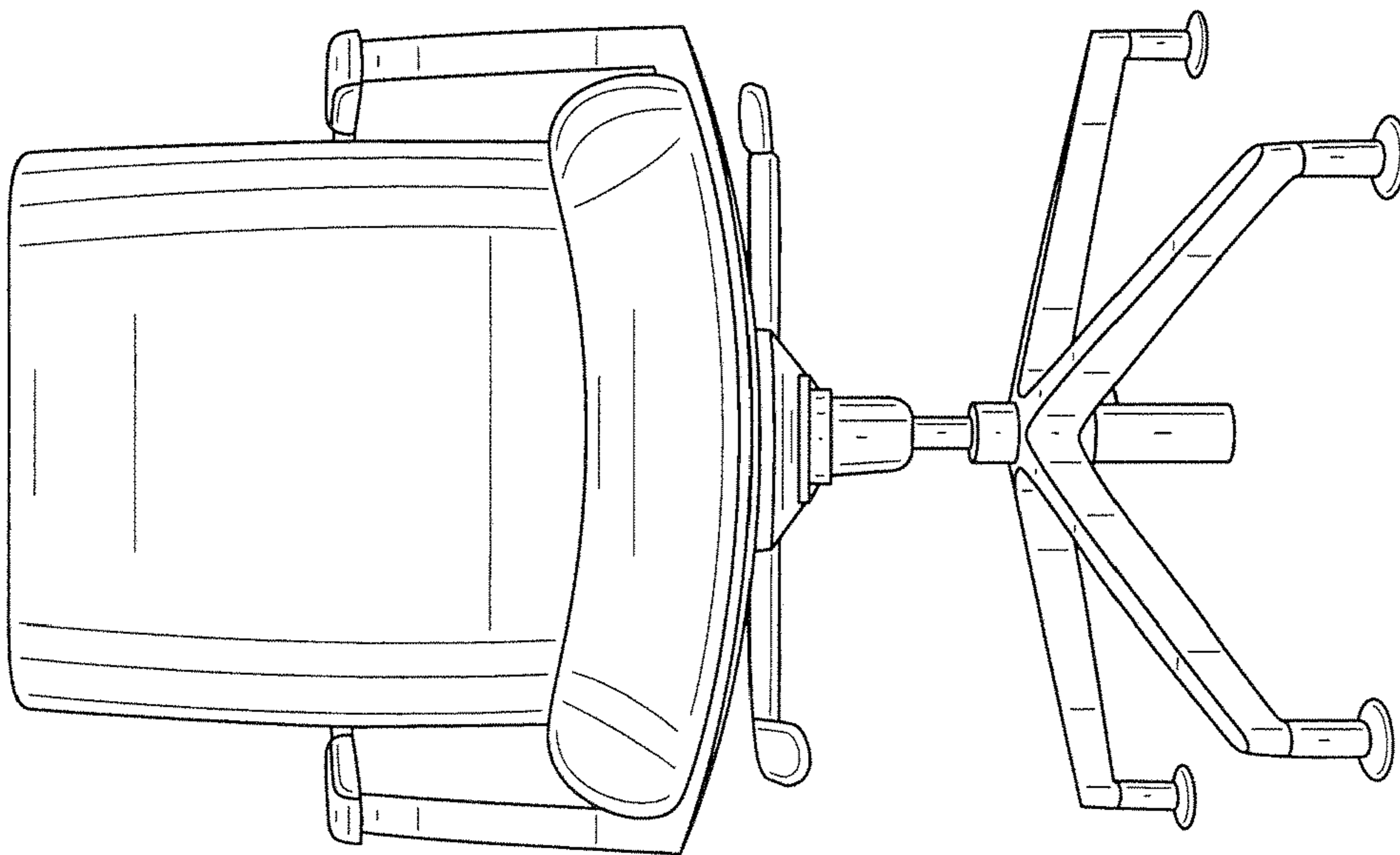


FIG. 3

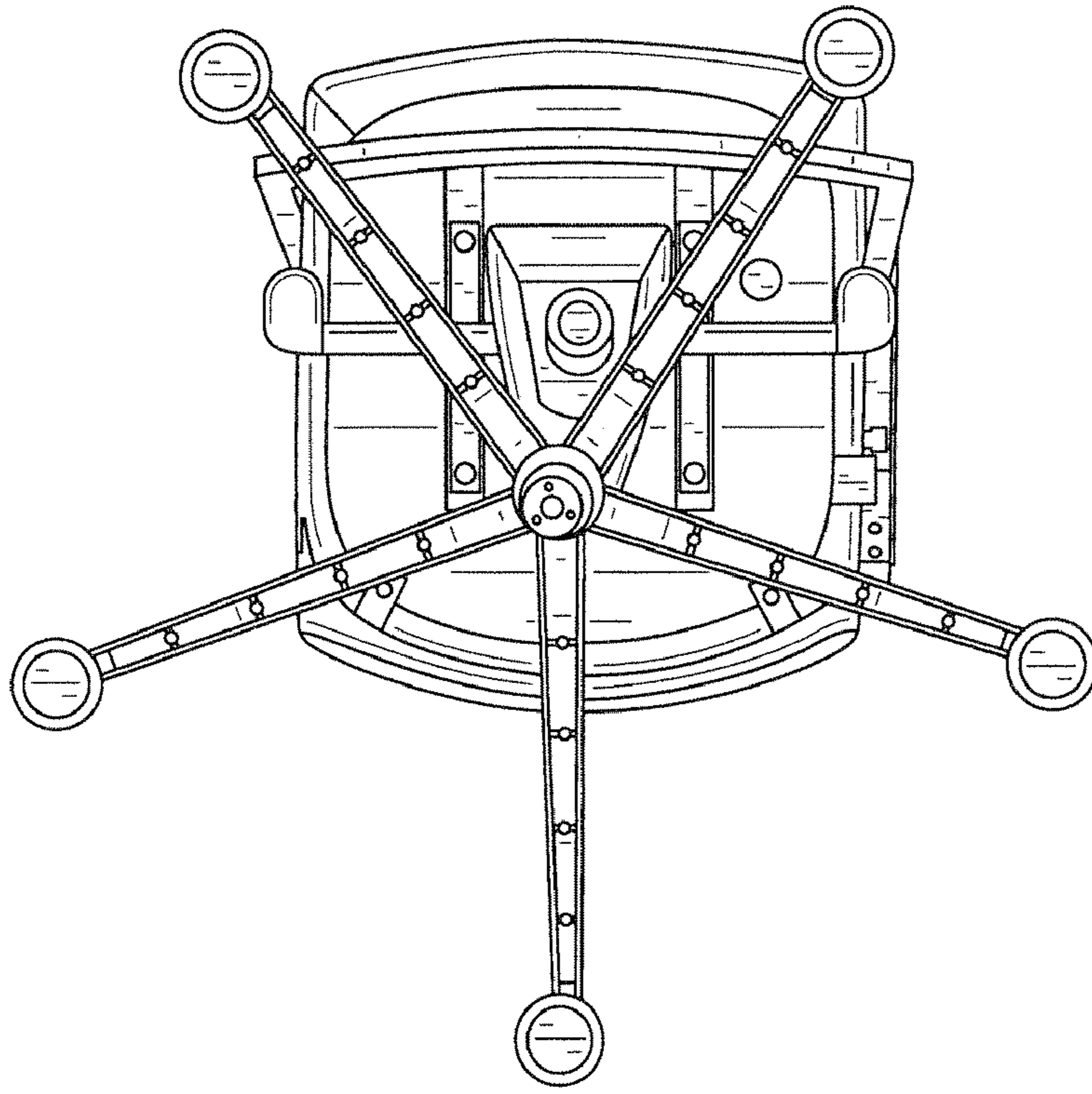


FIG. 6

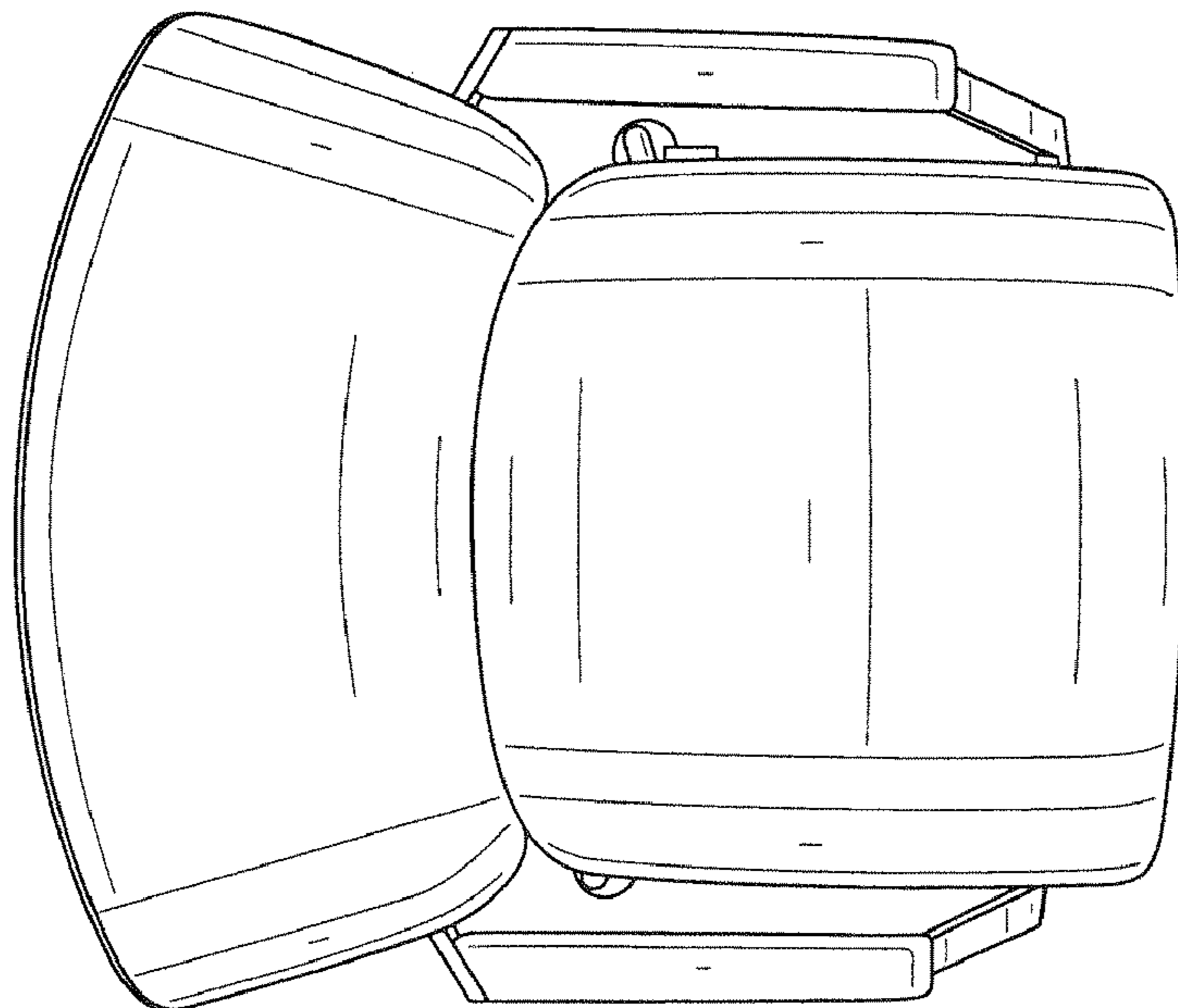


FIG. 5