



US00D564244S

(12) **United States Design Patent**  
**Ikäheimo**

(10) **Patent No.:** **US D564,244 S**  
(45) **Date of Patent:** **\*\* Mar. 18, 2008**

(54) **ROCKING STOOL**

5,921,628 A 7/1999 Glockl  
D415,361 S 10/1999 Moreau  
6,024,409 A 2/2000 Collins

(75) Inventor: **Anniina Emilia Ikäheimo**, Kuopio (FI)

(73) Assignee: **Steelcase Development Corporation**,  
Grand Rapids, MI (US)

(Continued)

(\*\*) Term: **14 Years**

**FOREIGN PATENT DOCUMENTS**

(21) Appl. No.: **29/280,039**

GB 2291342 A 1/1996

(22) Filed: **May 15, 2007**

*Primary Examiner*—Sandra Snapp

(74) *Attorney, Agent, or Firm*—Quarles & Brady LLP

(51) **LOC (8) Cl.** ..... **06-01**

(57) **CLAIM**

(52) **U.S. Cl.** ..... **D6/349**

(58) **Field of Classification Search** ..... D6/349–353,  
D6/355, 364, 484, 334, 500–502; 297/258.1,  
297/259.1, 440.12, 445.1, 451.4, 461–462,  
297/187

The ornamental design for a rocking stool, as shown and described.

See application file for complete search history.

**DESCRIPTION**

(56) **References Cited**

**U.S. PATENT DOCUMENTS**

D184,390 S \* 2/1959 Cramer ..... D6/350  
3,559,761 A \* 2/1971 Wehner ..... 182/15  
3,599,750 A \* 8/1971 Serwer ..... 182/15  
D232,499 S \* 8/1974 Martinelli ..... D6/350  
D242,683 S 12/1976 Osborne  
D259,156 S 5/1981 Massow  
D262,419 S \* 12/1981 Cramer ..... D6/350  
D276,482 S 11/1984 Kramer et al.  
4,595,234 A 6/1986 Kjersem  
D284,717 S 7/1986 Murry  
D287,669 S 1/1987 Opsvik  
4,674,795 A 6/1987 Nelson  
4,786,105 A 11/1988 Sheehan et al.  
D305,965 S 2/1990 Mulhauser  
5,112,103 A 5/1992 Downer  
5,238,296 A 8/1993 Paul  
D341,031 S 11/1993 Burkhart  
D359,863 S \* 7/1995 Marlor ..... D6/451  
D389,659 S 1/1998 Hummel  
D396,357 S 7/1998 Perrin et al.  
D403,517 S 1/1999 Perrin et al.  
D411,055 S 6/1999 Perrin et al.  
5,909,925 A 6/1999 Glockl

FIG. 1 is a top, front, right perspective view of a first embodiment of a rocking stool embodying my new design; FIG. 2 is a right side elevational view thereof, the left side elevational view being a mirror image thereof;

FIG. 3 is a front elevational view thereof, the back elevational view being a mirror image thereof;

FIG. 4 is a top plan view thereof;

FIG. 5 is a bottom view thereof;

FIG. 6 is a top, front, right perspective view of a second embodiment of a rocking stool embodying my new design;

FIG. 7 is a right side elevational view thereof, the left side elevational view being a mirror image thereof;

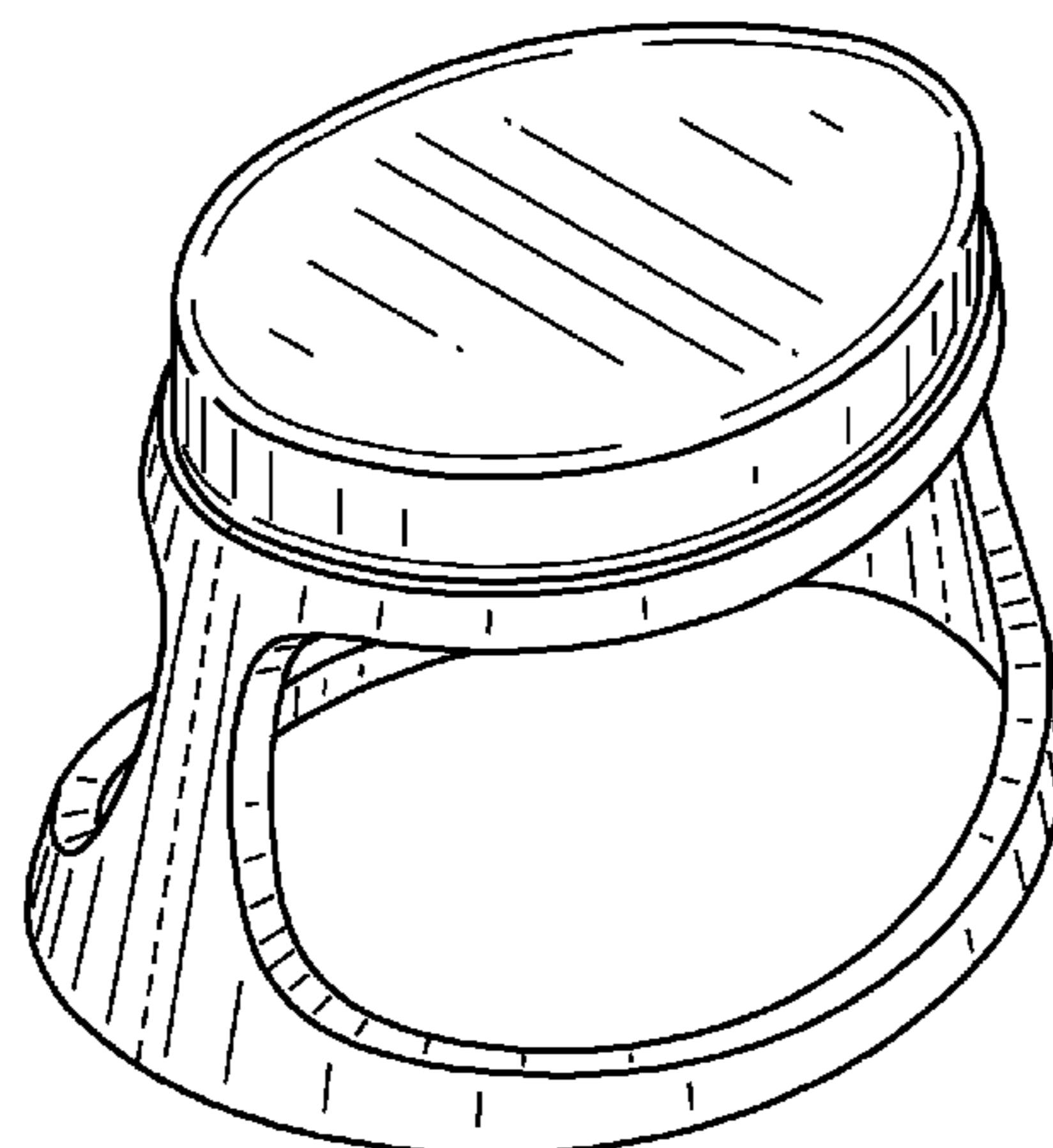
FIG. 8 is a front elevational view thereof, the back elevational view being a mirror image thereof;

FIG. 9 is a top plan view thereof; and,

FIG. 10 is a bottom view thereof.

The broken line representations of a seam of FIGS. 1, 3–6, and 8–10, and a seat cushion in FIGS. 6–9 are for the purpose of illustration only, and form no part of the claimed design.

**1 Claim, 6 Drawing Sheets**



# US D564,244 S

Page 2

---

## U.S. PATENT DOCUMENTS

D454,706 S 3/2002 Volkman et al.  
6,513,869 B1 2/2003 Wu  
6,682,137 B2 1/2004 Hsia  
D507,891 S 8/2005 Eyman et al.

D524,069 S \* 7/2006 Lim ..... D6/350  
7,147,284 B2 12/2006 Mills et al.  
2005/0275262 A1 12/2005 Mills et al.  
2006/0001301 A1 1/2006 Caldwell

\* cited by examiner

FIG. 1

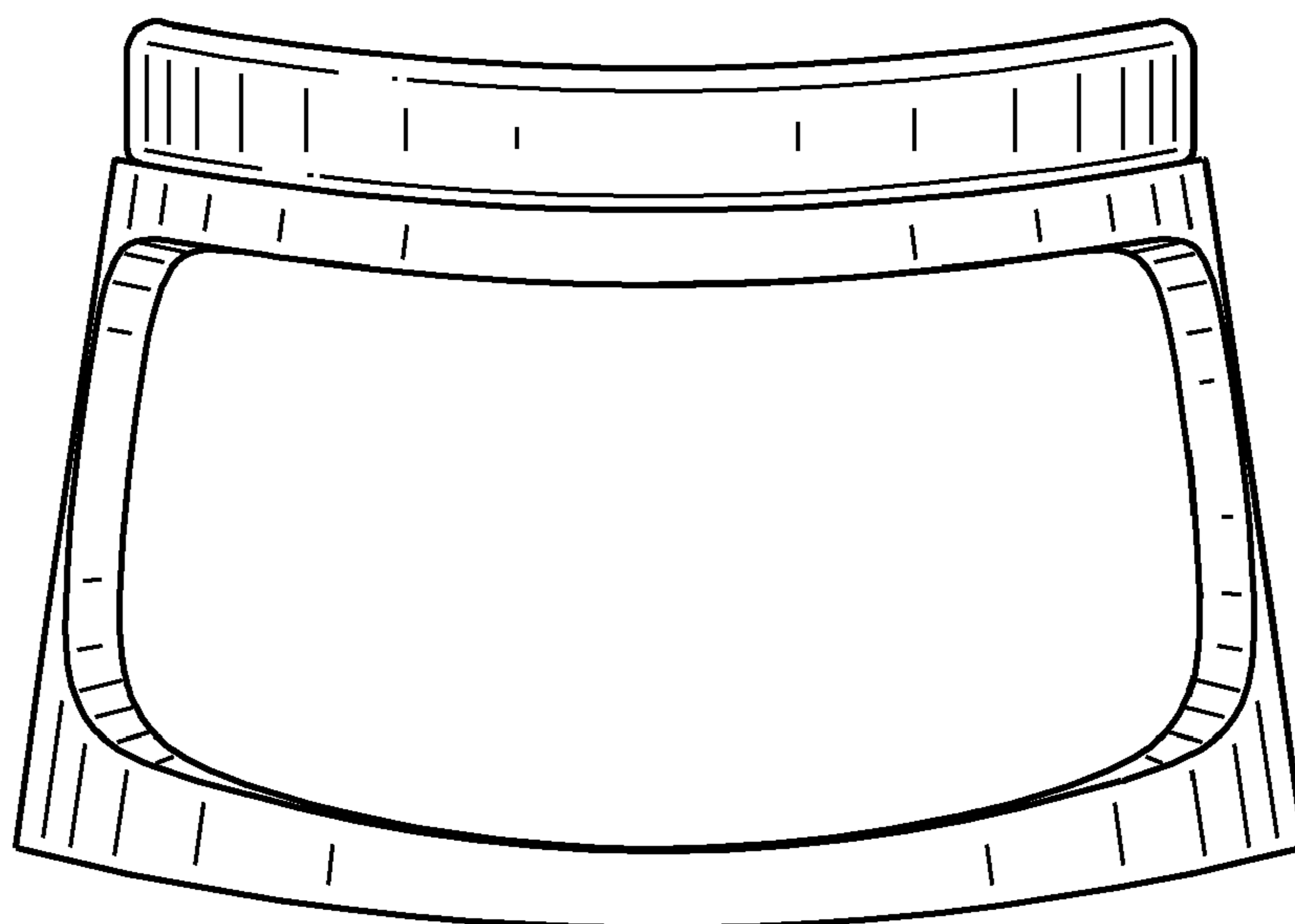
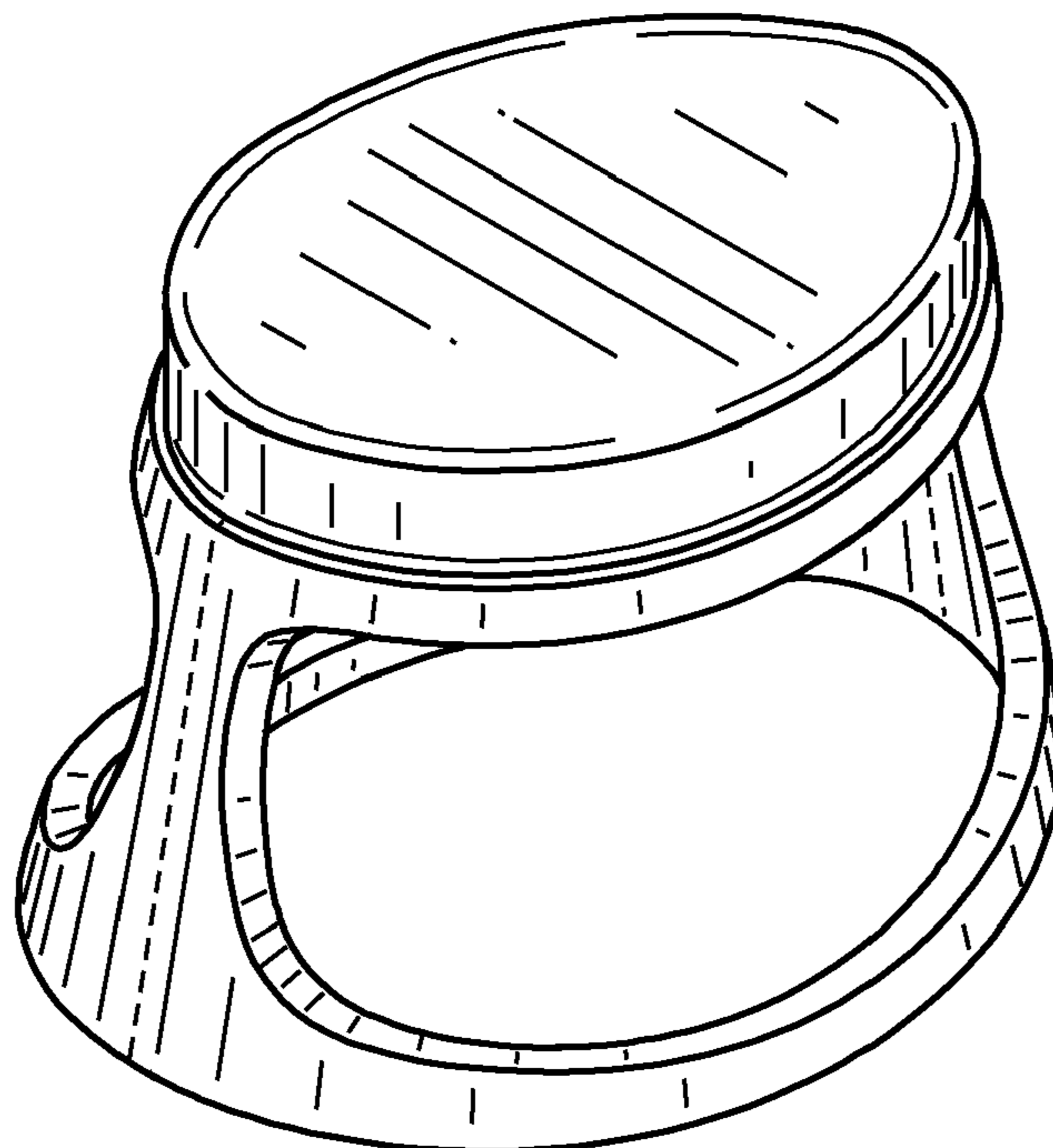


FIG. 2

FIG. 3

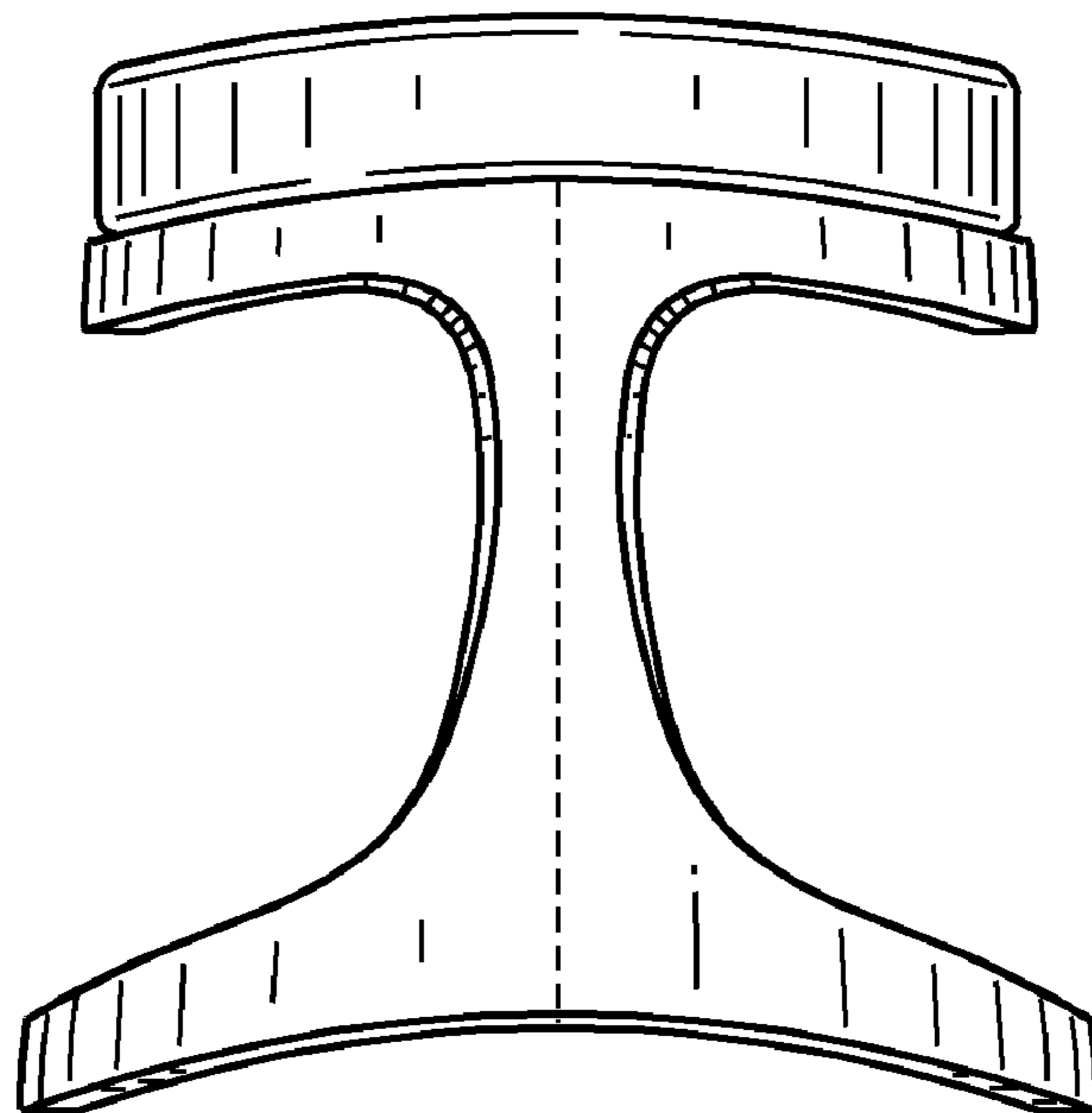
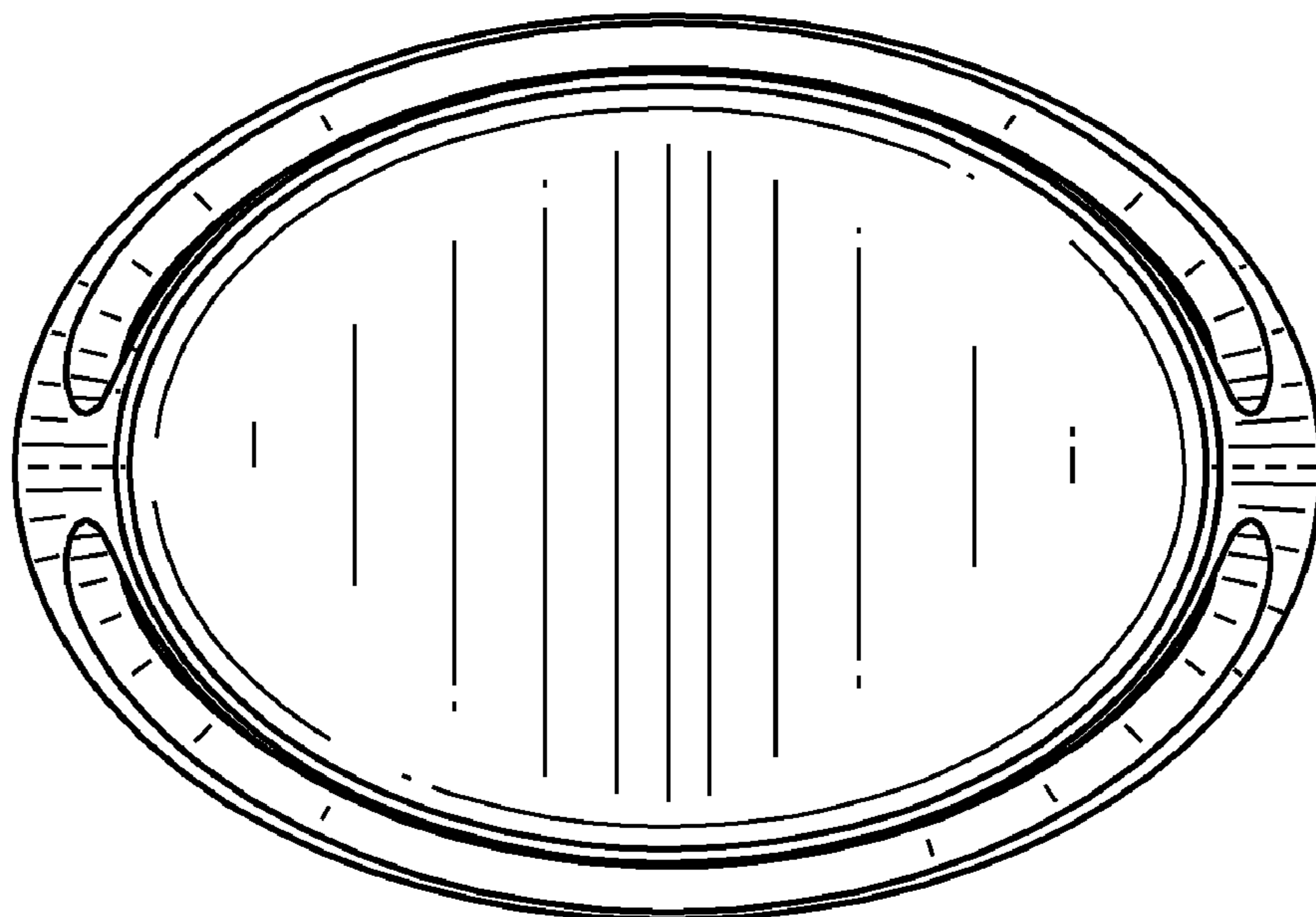


FIG. 4



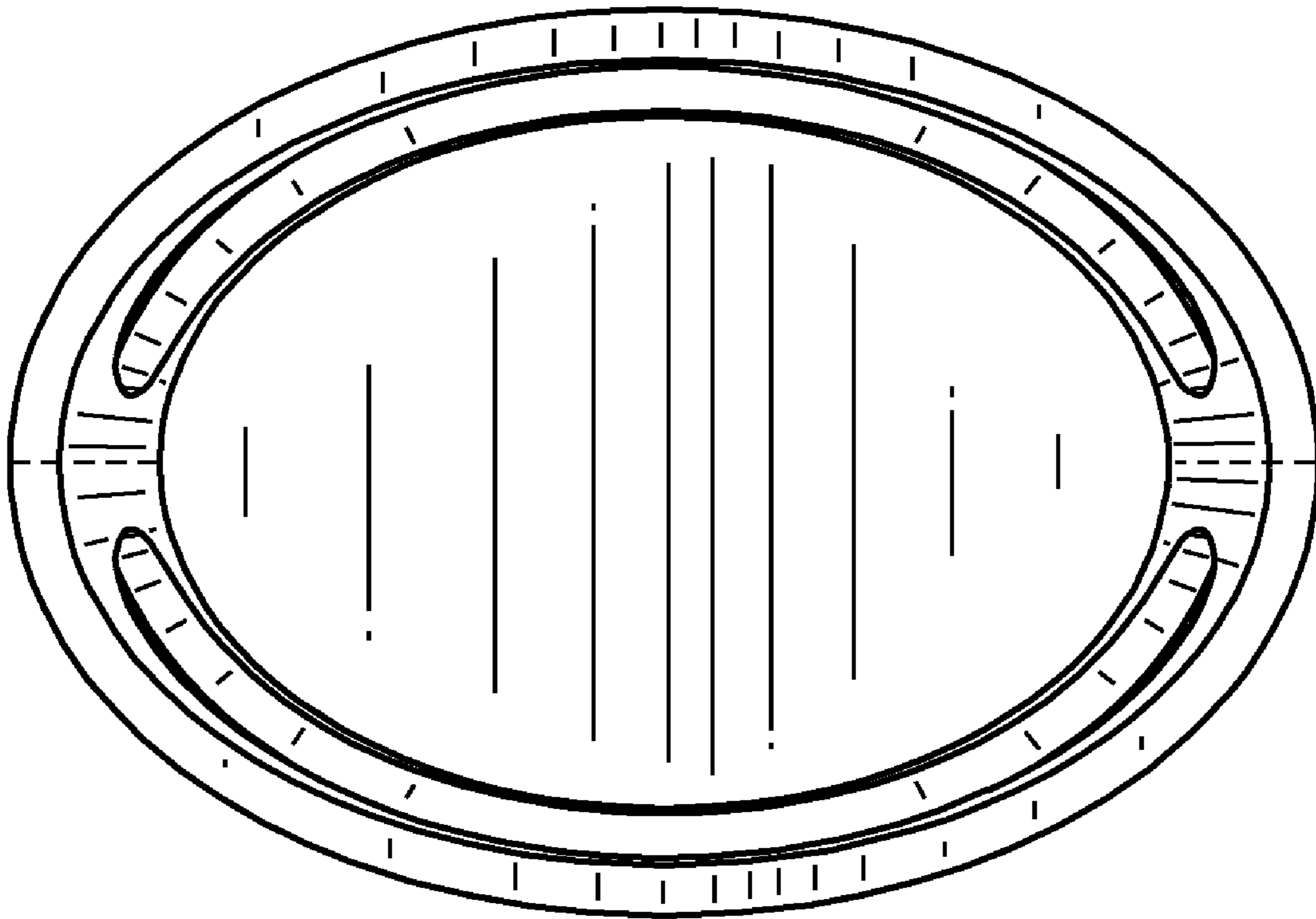


FIG. 5

FIG. 6

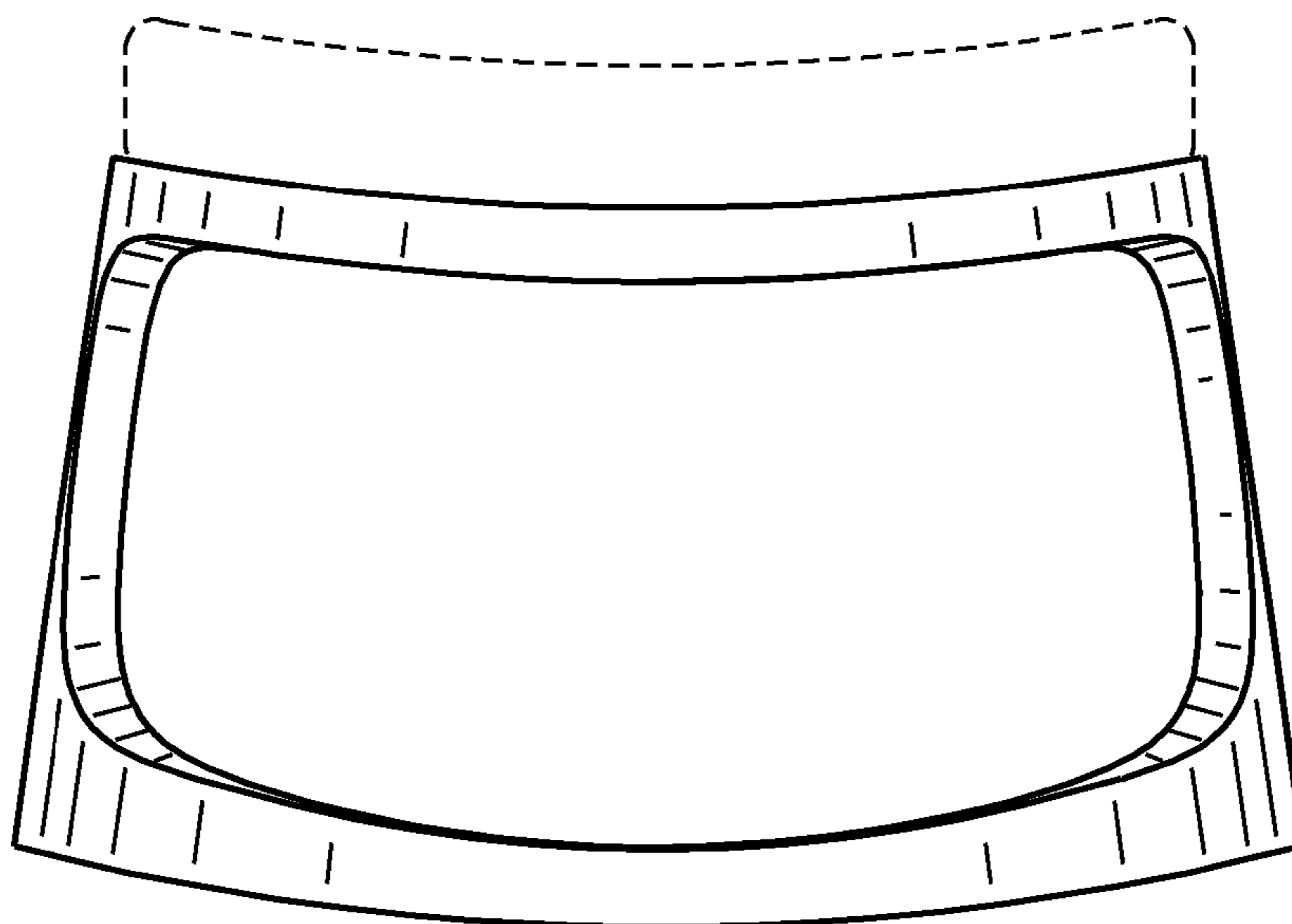
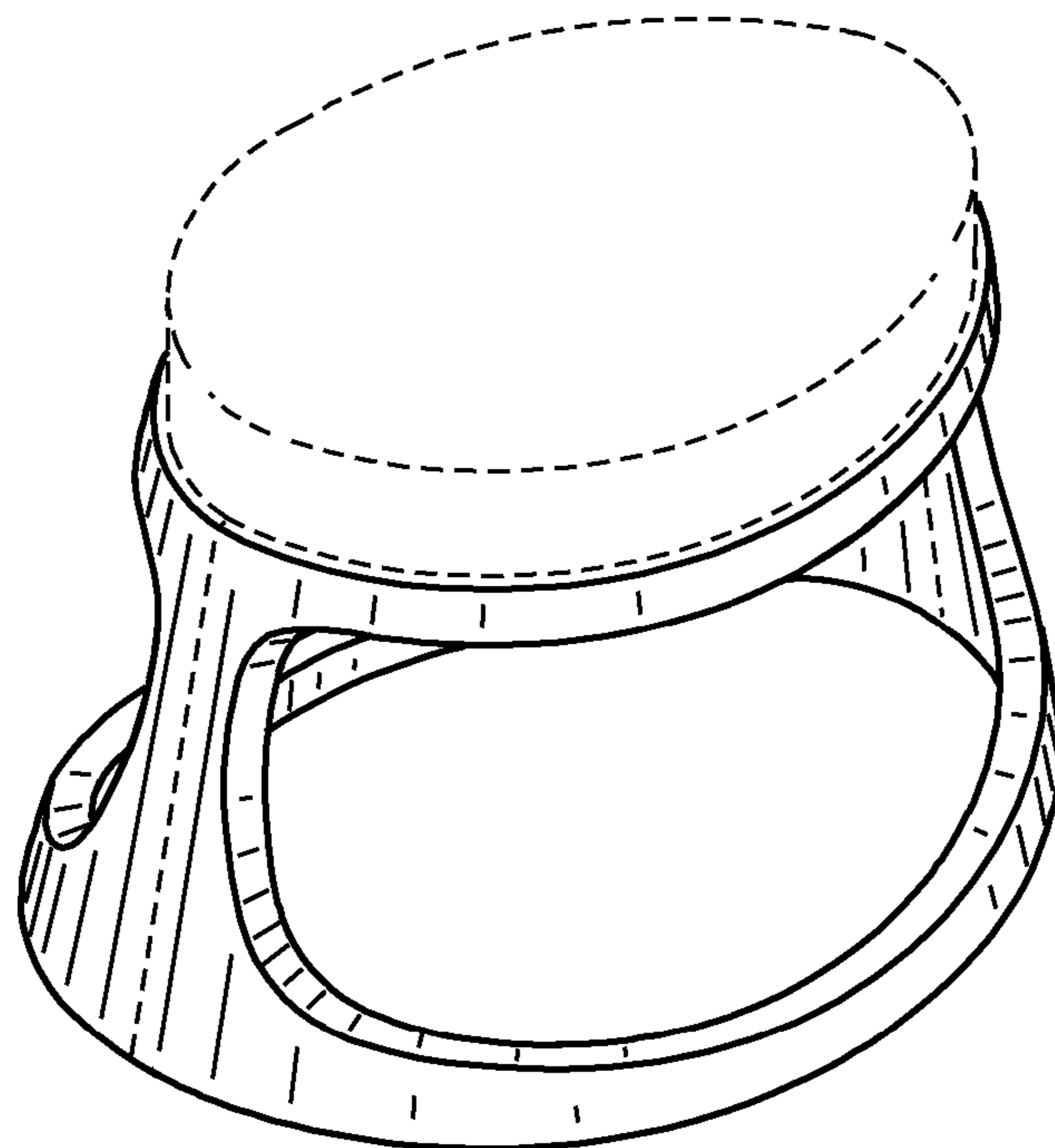


FIG. 7

FIG. 8

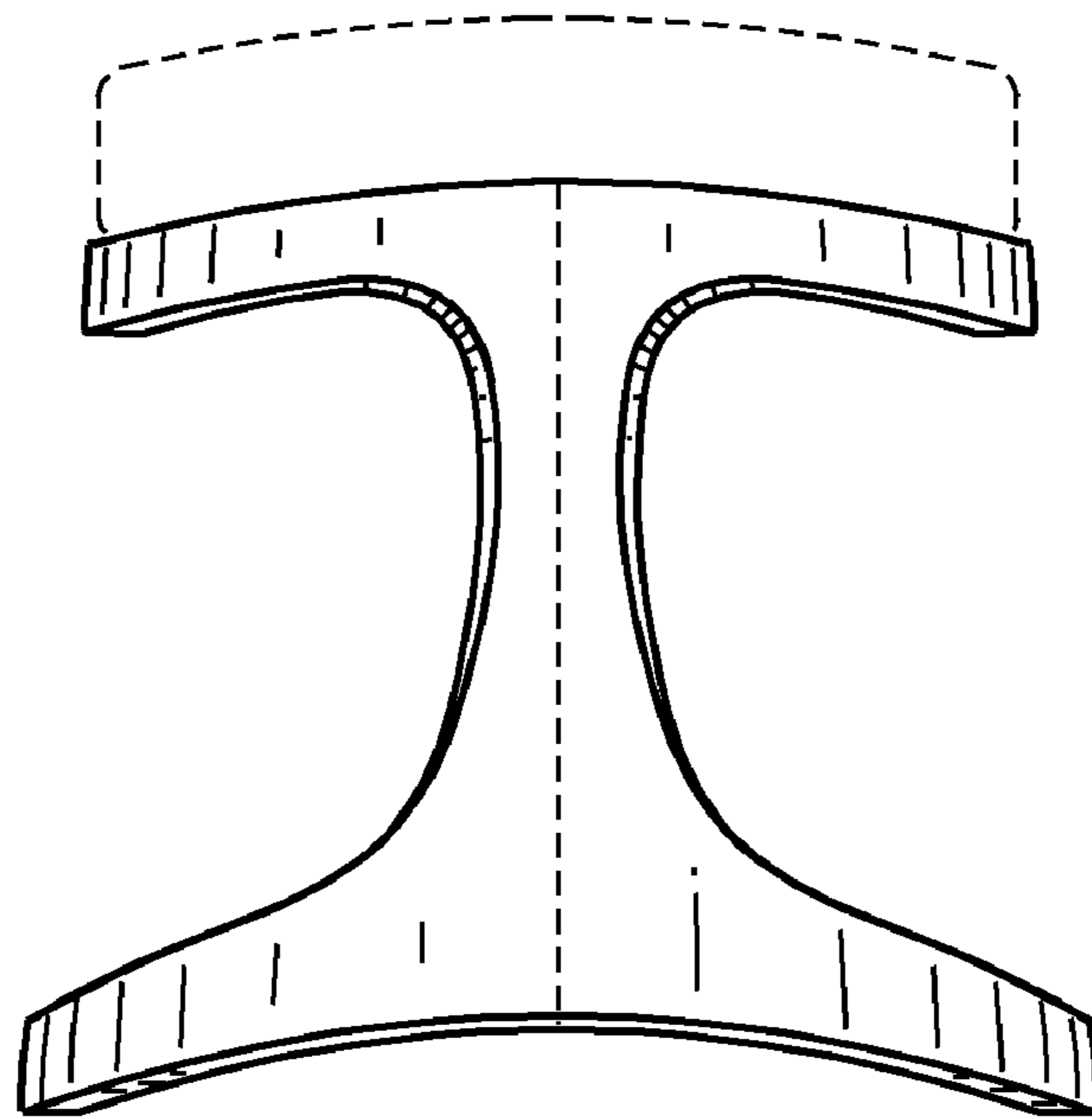
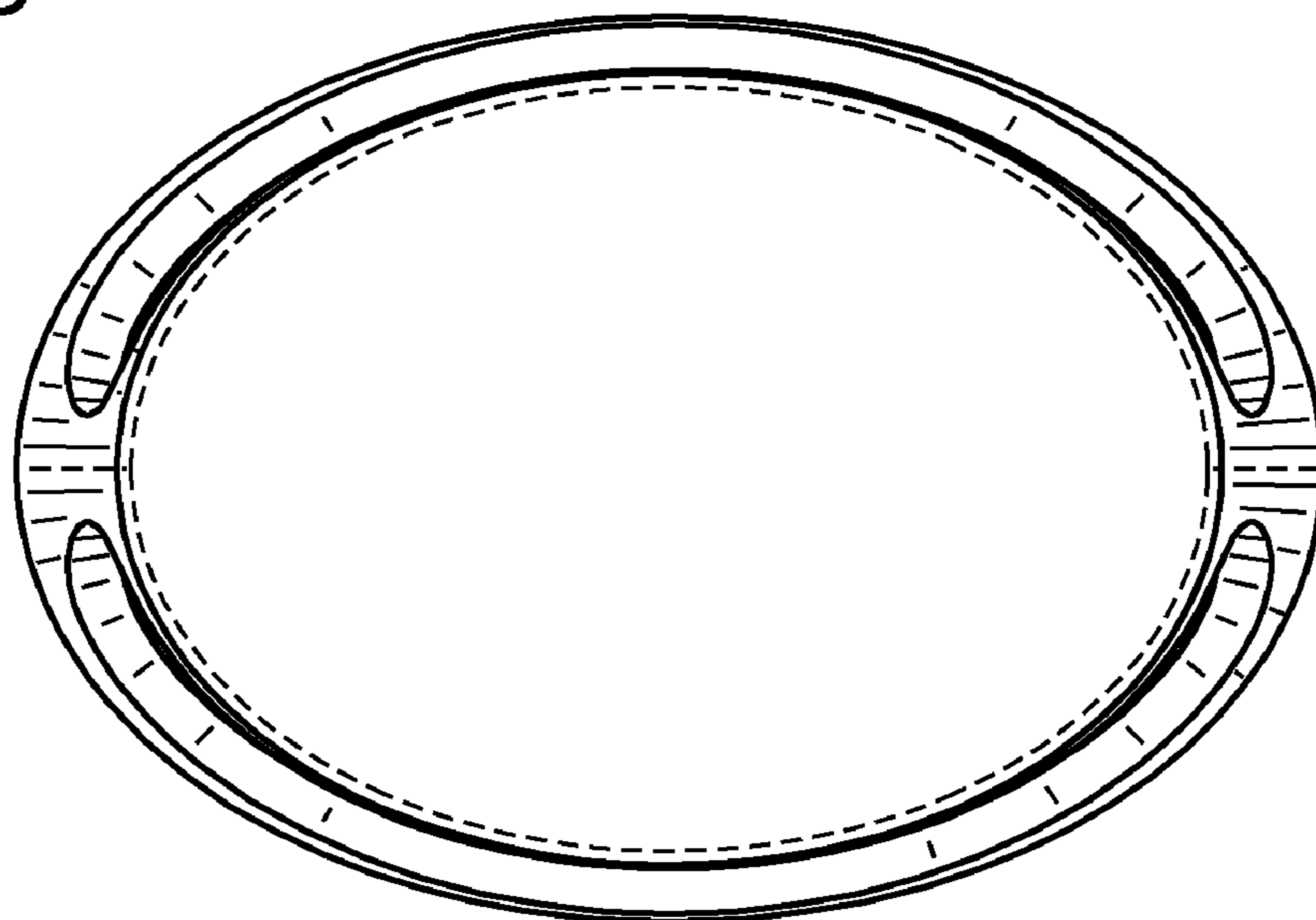


FIG. 9



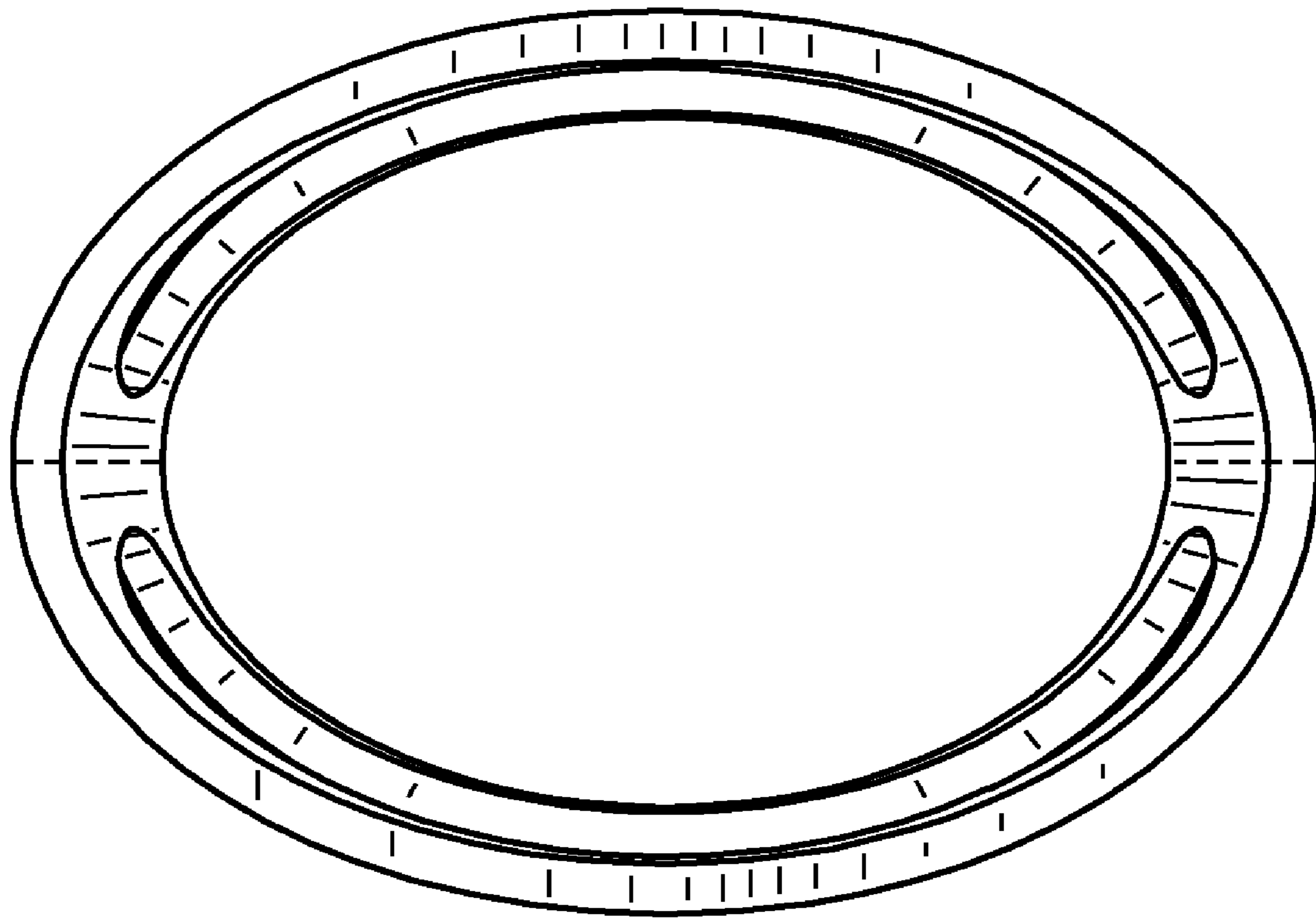


FIG. 10