



US00D564243S

(12) **United States Design Patent**
Zhang

(10) **Patent No.:** **US D564,243 S**

(45) **Date of Patent:** **** Mar. 18, 2008**

(54) **COAT HOOK**

(75) Inventor: **Zhukai Zhang**, Chicago, IL (US)

(73) Assignee: **Liberty Hardware Mfg. Corp.**,
Winston-Salem, NC (US)

(**) Term: **14 Years**

(21) Appl. No.: **29/286,532**

(22) Filed: **May 10, 2007**

(51) **LOC (8) Cl.** **06-08**

(52) **U.S. Cl.** **D6/323**

(58) **Field of Classification Search** D6/315,
D6/320, 323, 328; D8/354, 367; 223/85-98;
211/13.1, 85.3, 113, 183; 248/317, 338,
248/346.01

See application file for complete search history.

(56) **References Cited**

U.S. PATENT DOCUMENTS

D247,146 S *	2/1978	Watt, Jr.	D6/323
D267,137 S *	12/1982	Mayer	D8/367
D343,066 S *	1/1994	Hsu	D6/323
D472,059 S *	3/2003	Hoernig	D6/323
D472,061 S *	3/2003	Hoernig	D6/323
D473,453 S *	4/2003	Goodman et al.	D8/367

D493,093 S *	7/2004	Goodman et al.	D8/367
D496,258 S *	9/2004	Fields	D8/367
D526,494 S *	8/2006	Fields	D6/323
D535,110 S *	1/2007	Hoernig	D6/323
D543,708 S *	6/2007	McConnell	D6/323
D544,220 S *	6/2007	McConnell	D6/323

* cited by examiner

Primary Examiner—Stella M. Reid

Assistant Examiner—Shanda C. Hill

(74) *Attorney, Agent, or Firm*—Edgar A. Zarins; Lloyd D. Doigan

(57) **CLAIM**

The ornamental design for a coat hook, as shown and described.

DESCRIPTION

FIG. 1 is a perspective view of a coat hook showing my new design;

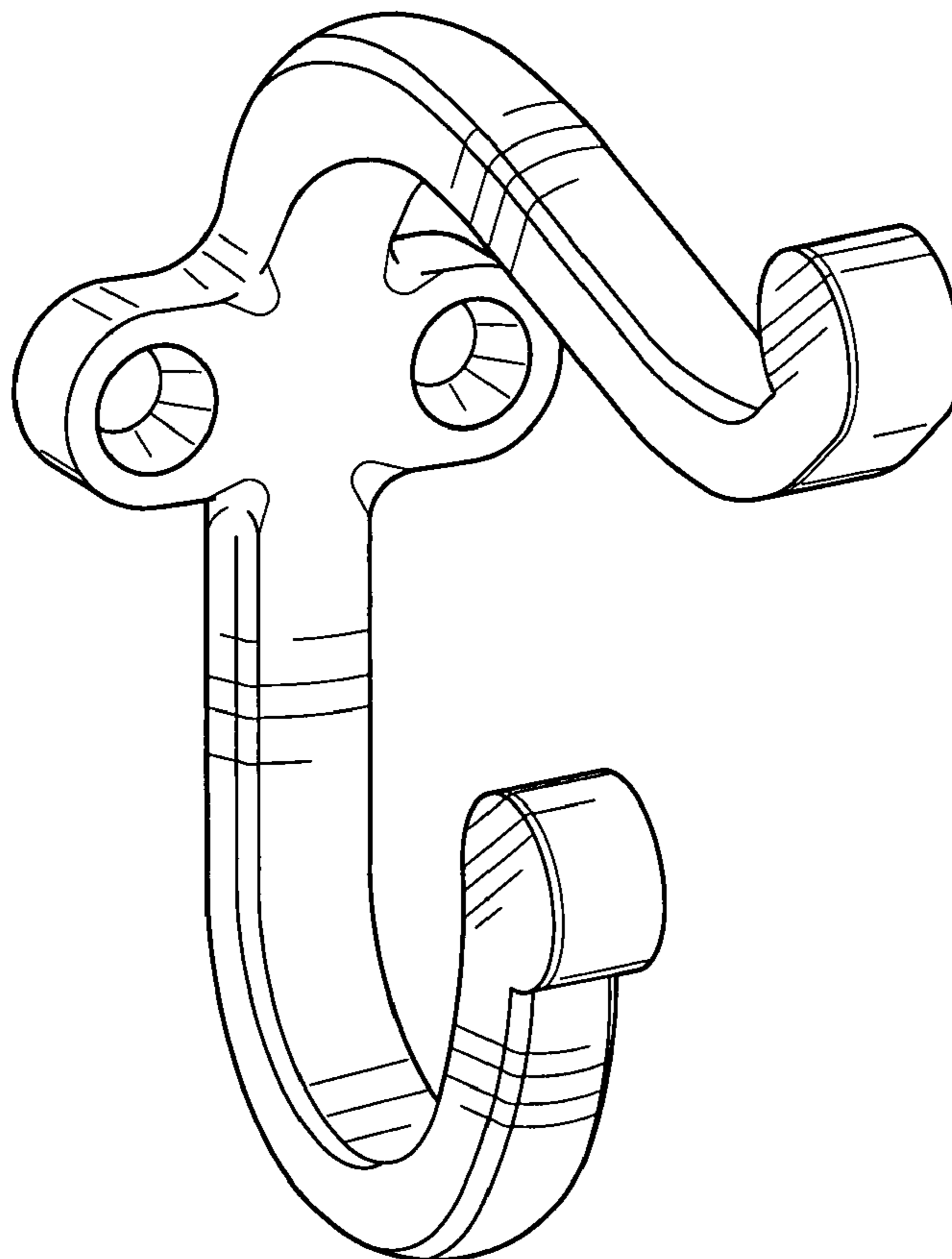
FIG. 2 is a right side view thereof, the opposite side being a mirror image of the side shown;

FIG. 3 is a top plan view thereof;

FIG. 4 is a bottom plan view thereof; and,

FIG. 5 is a front elevational view thereof.

1 Claim, 2 Drawing Sheets



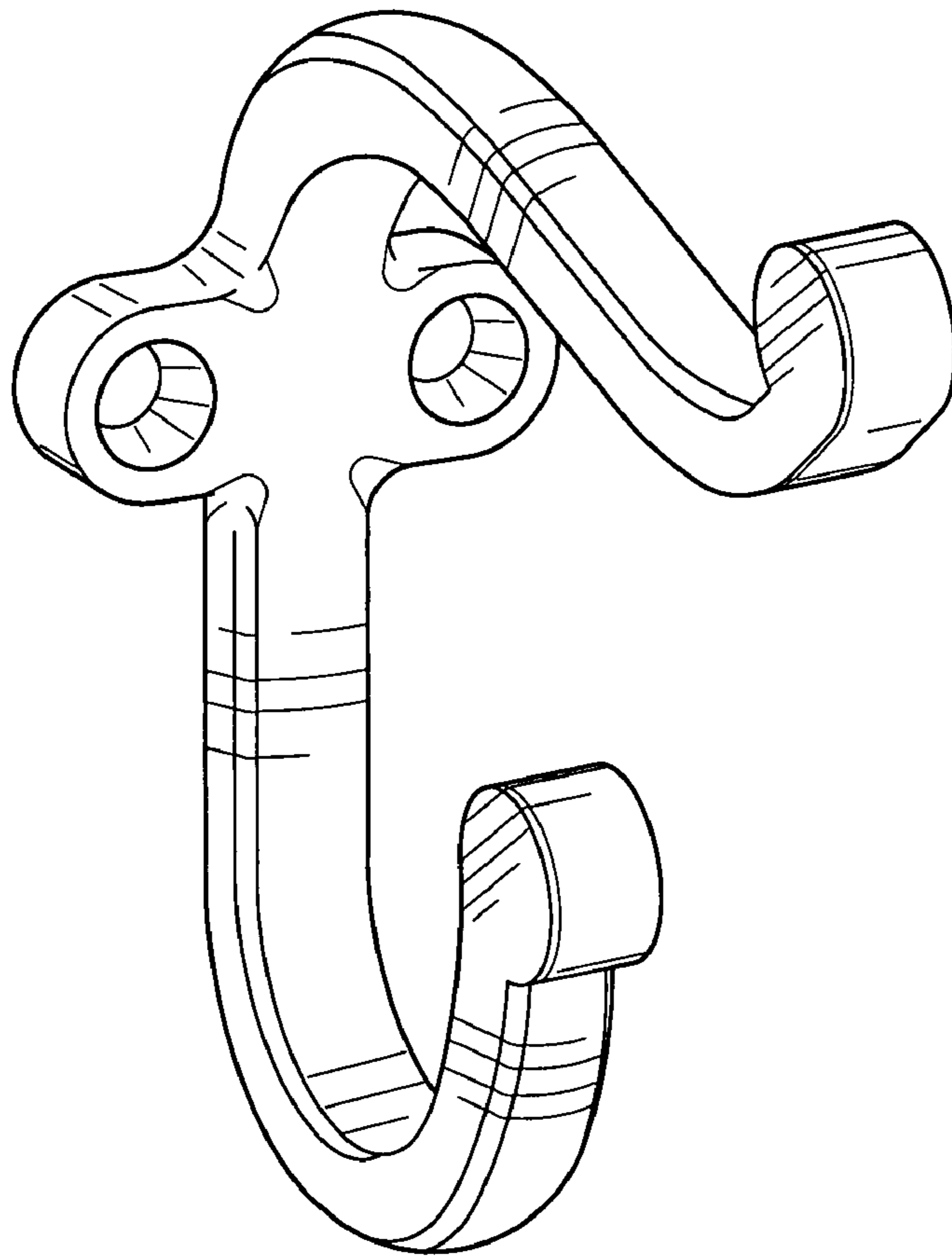


Fig-1

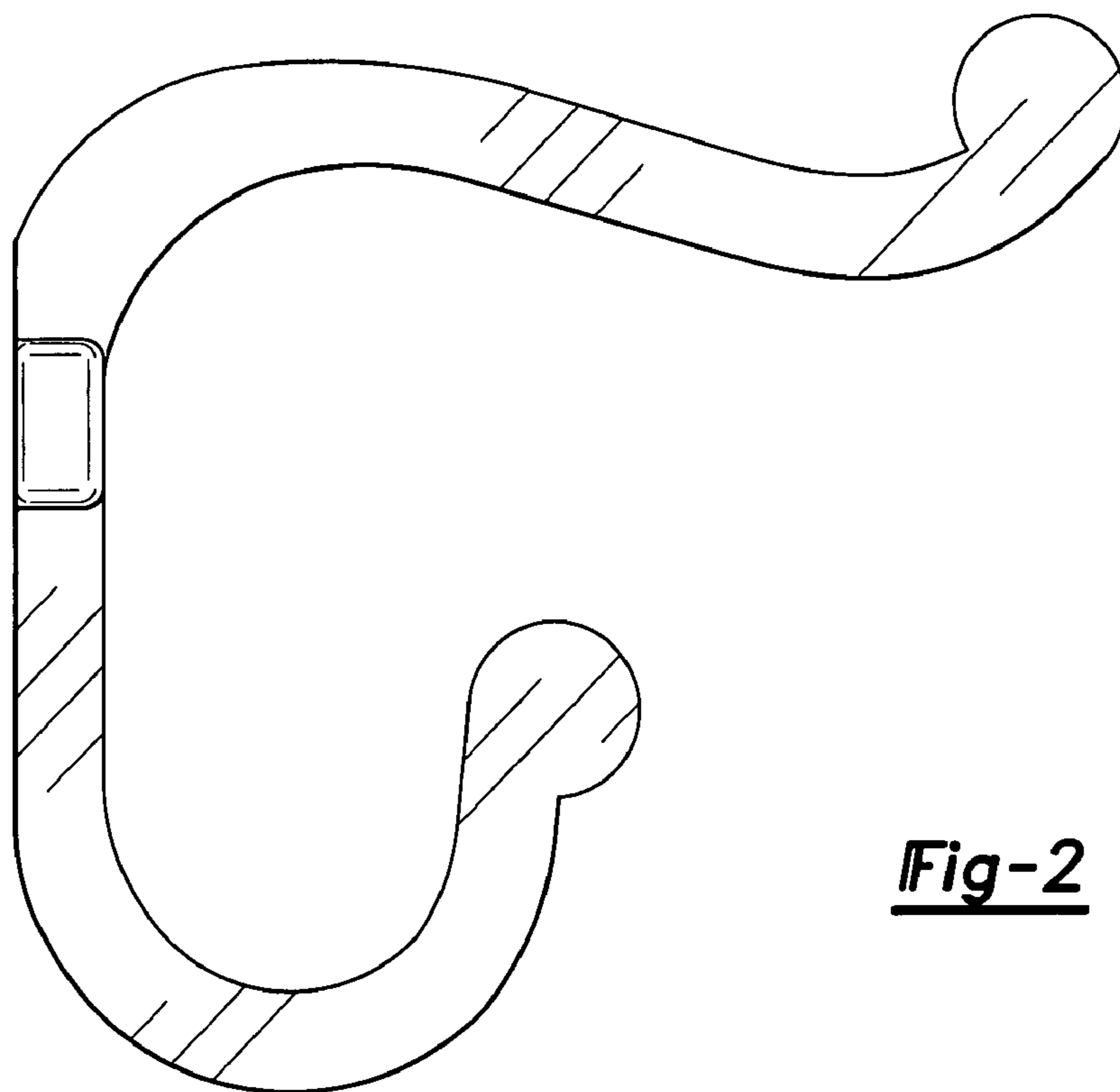


Fig-2

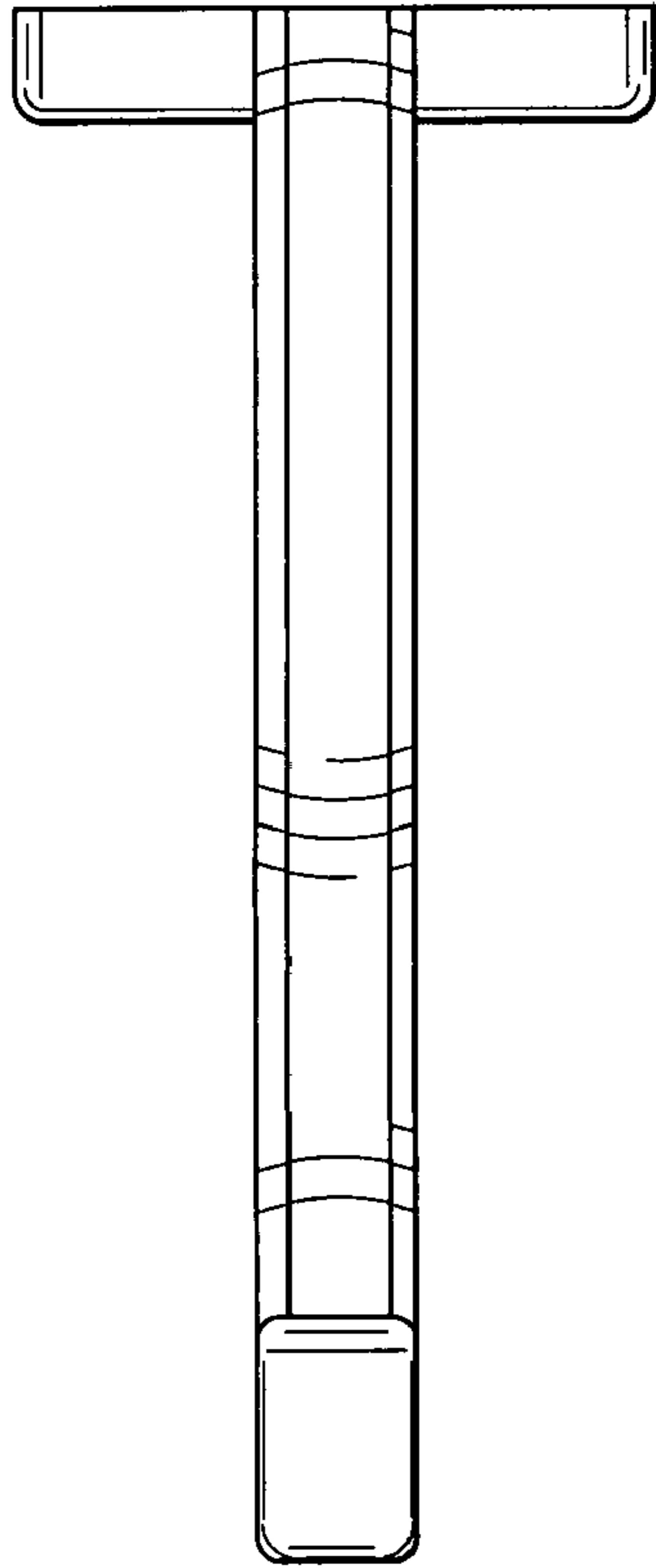


Fig-3

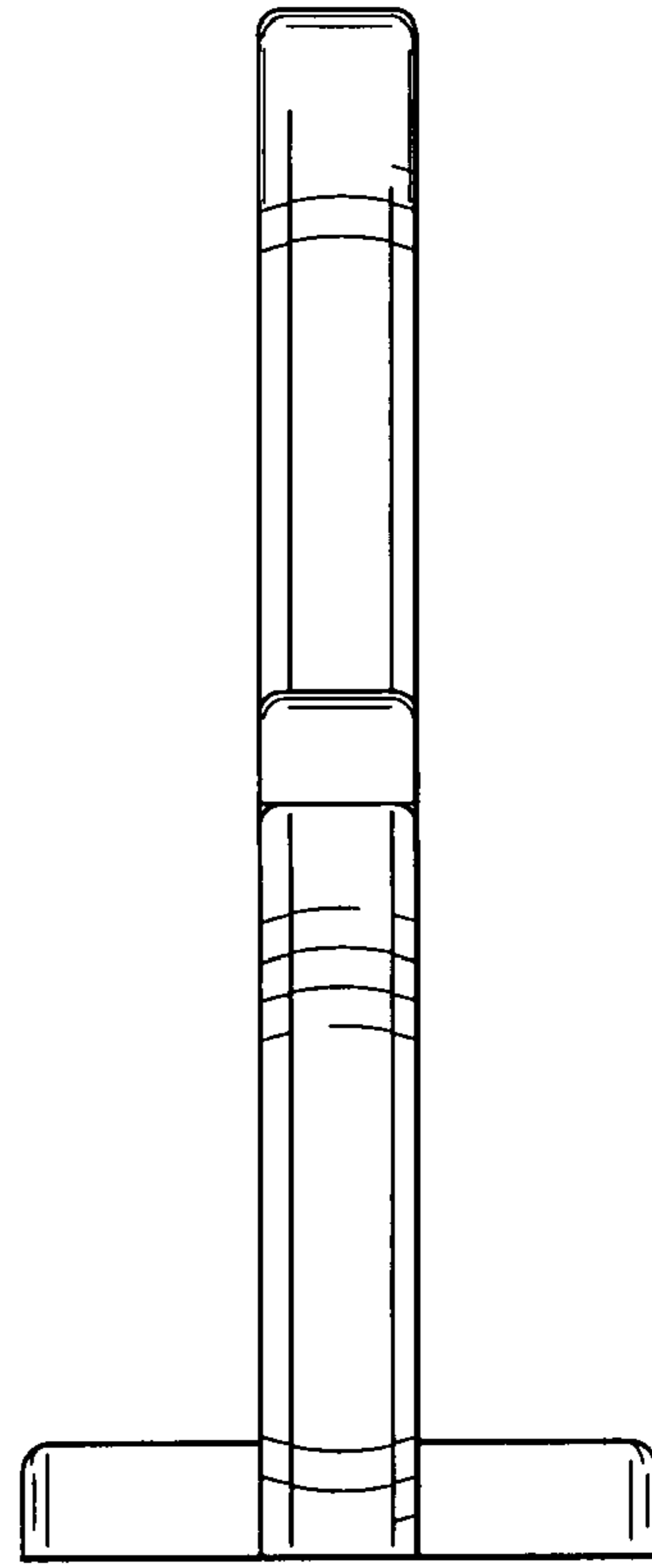


Fig-4

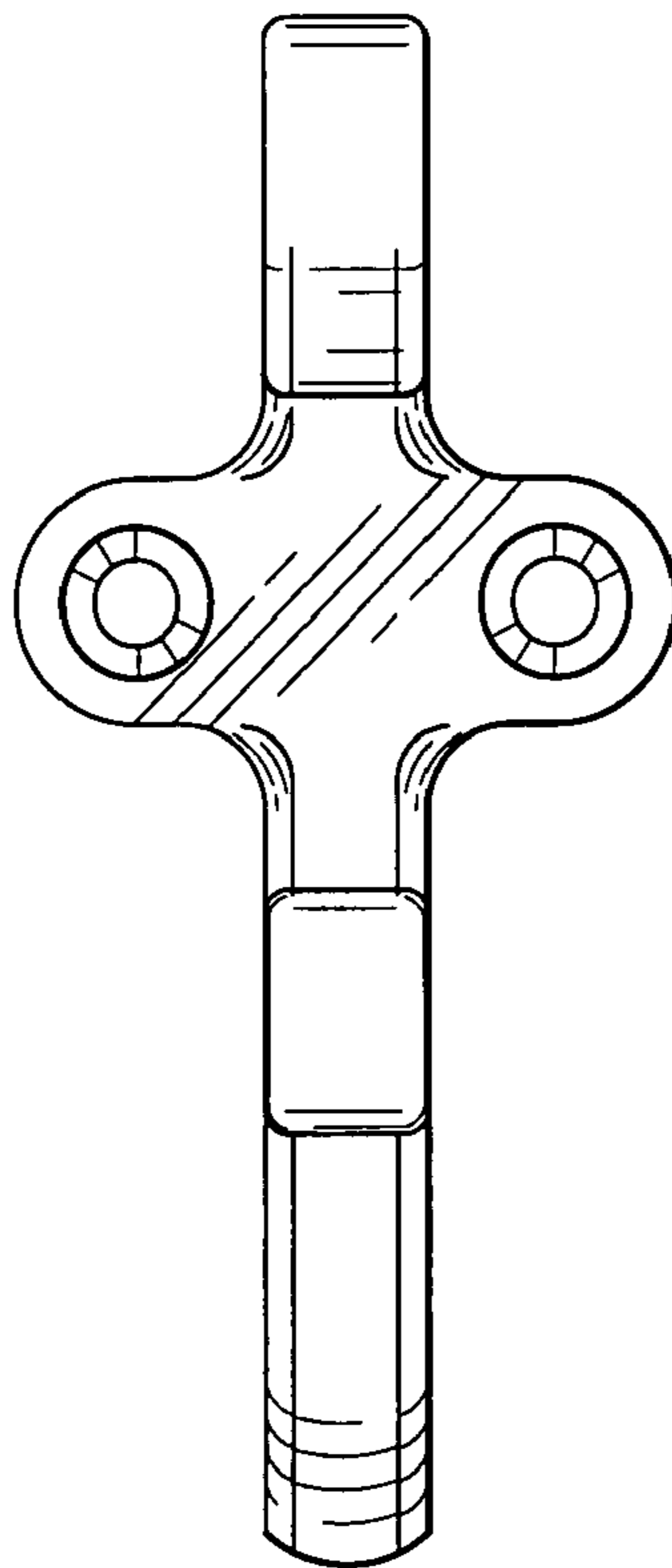


Fig-5