



US00D564240S

(12) **United States Design Patent**
Poo

(10) **Patent No.:** **US D564,240 S**

(45) **Date of Patent:** **** *Mar. 18, 2008**

(54) **IMITATION RATTAN STRIP**

(76) Inventor: **Hao-Wei Poo**, 14F, No. 28, Tung-Hsing Rd., Taipei City (TW)

(*) Notice: This patent is subject to a terminal disclaimer.

(**) Term: **14 Years**

(21) Appl. No.: **29/275,842**

(22) Filed: **Jan. 8, 2007**

(51) **LOC (8) Cl.** **05-99**

(52) **U.S. Cl.** **D5/99**

(58) **Field of Classification Search** D5/1-3, D5/5, 7, 8, 11, 13-16, 19, 20, 23-28, 30, D5/32, 35-37, 39, 43, 45, 47, 49, 50, 52-66, D5/99; D2/749, 994; D6/582, 583, 595, D6/596, 598, 603-606, 608, 613-616, 617, D6/619, 622; D7/396.4, 396.5; D24/124-126; D25/142, 152; 5/413 AM, 709; 156/148, 156/209; 162/134, 140, 231; 428/17, 18, 428/151, 154, 156, 171, 187, 198, 199, 540, 428/542.2, 542.6, 919, 904.4; D1/125, 126, D1/128

See application file for complete search history.

(56) **References Cited**

U.S. PATENT DOCUMENTS

178,949	A *	6/1876	Penley	442/269
232,336	A *	9/1880	Cooley	112/412
333,408	A *	12/1885	Hale	160/231.1
1,492,526	A *	4/1924	Morsen	15/215
D84,586	S *	7/1931	Lee	D5/53
D136,717	S *	11/1943	Moore et al.	D6/583
D152,753	S *	2/1949	Stone	D13/199
2,512,310	A *	6/1950	Carson	15/215
2,744,624	A *	5/1956	Hoogstoel et al.	206/426
3,083,128	A *	3/1963	Herrington et al.	428/171
3,141,809	A *	7/1964	Di Maio et al.	428/172
3,248,185	A *	4/1966	Barney	428/614
D207,487	S *	4/1967	Briggs et al.	D5/47
3,616,135	A *	10/1971	Tesainer et al.	428/88

4,336,293	A *	6/1982	Eiden	428/143
4,473,605	A *	9/1984	Rausch	428/17
D278,564	S *	4/1985	Reuben	D5/49
4,600,623	A *	7/1986	Horn et al.	428/151
5,142,717	A *	9/1992	Everard et al.	5/709
5,333,431	A *	8/1994	Haupt	52/314
5,645,504	A *	7/1997	Westhoff	474/250
D395,171	S *	6/1998	Schwartz	D5/99
6,759,113	B1 *	7/2004	Tang	428/156
D499,924	S *	12/2004	Lee	D6/582
6,890,622	B2 *	5/2005	Adam et al.	428/171
D535,108	S *	1/2007	Ping Sheng	D5/99
D536,537	S *	2/2007	Ping Sheng	D5/99
2004/0191482	A1 *	9/2004	Nakajima et al.	428/156
2004/0209103	A1 *	10/2004	Tseng	428/542.2
2005/0188466	A1 *	9/2005	Brun et al.	5/709

* cited by examiner

Primary Examiner—T. Chase Nelson

Assistant Examiner—Karen Acker

(74) *Attorney, Agent, or Firm*—Whyte Hirschboeck Dudek SC

(57) **CLAIM**

The ornamental design for imitation rattan strip, as shown and described.

DESCRIPTION

FIG. 1 is a perspective view of imitation rattan strip showing my new design;

FIG. 2 is a front elevational view thereof;

FIG. 3 is a rear elevational view thereof;

FIG. 4 is a left side elevational view thereof;

FIG. 5 is a right side elevational view thereof;

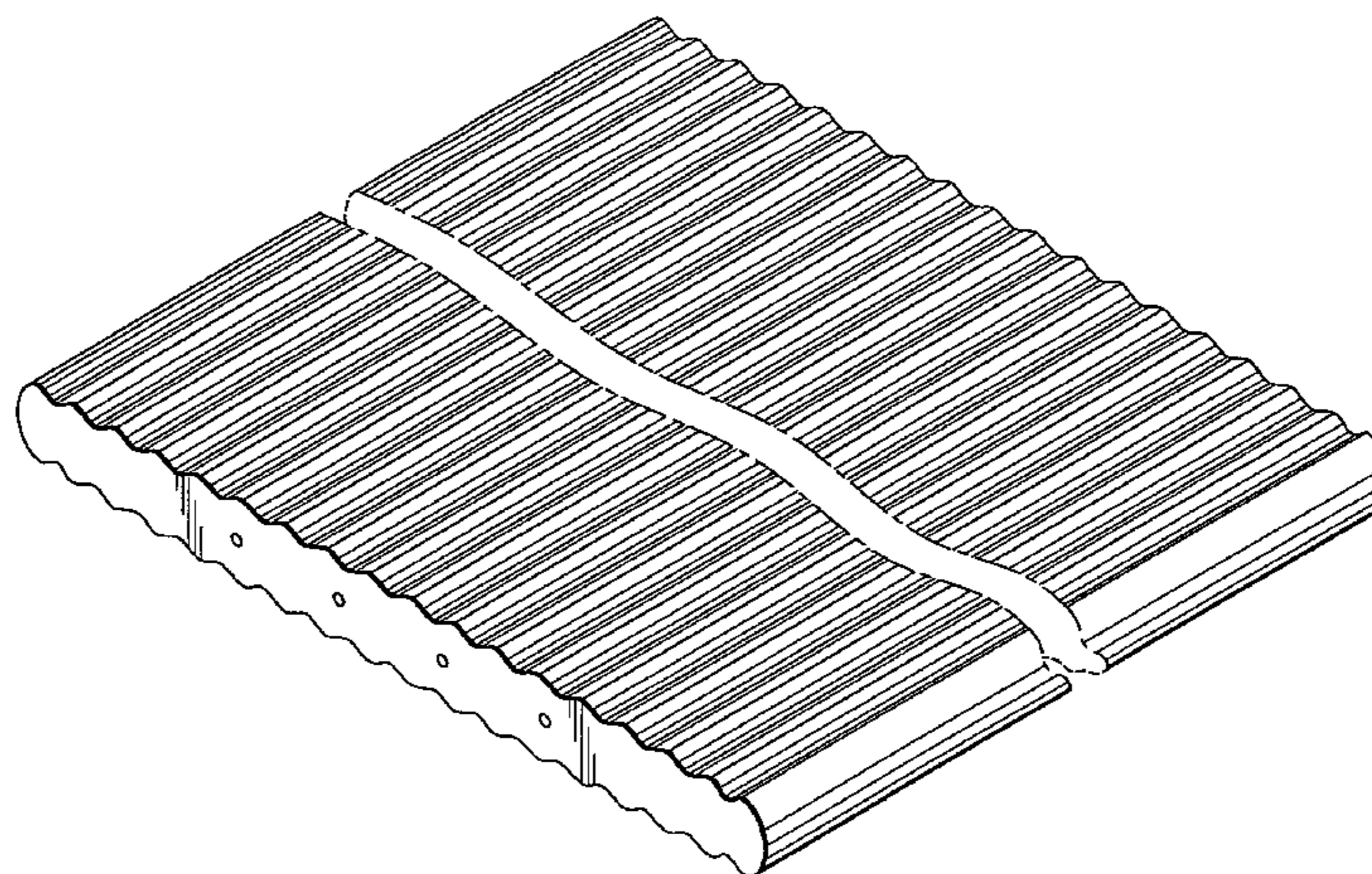
FIG. 6 is a top plan view thereof; and,

FIG. 7 is a bottom plan view thereof.

The design is shown broken away in order to show that a specific length of imitation rattan strip forms no part of the claimed design.

The broken lines are included for the purpose of illustration only and form no part of the claimed design.

1 Claim, 3 Drawing Sheets



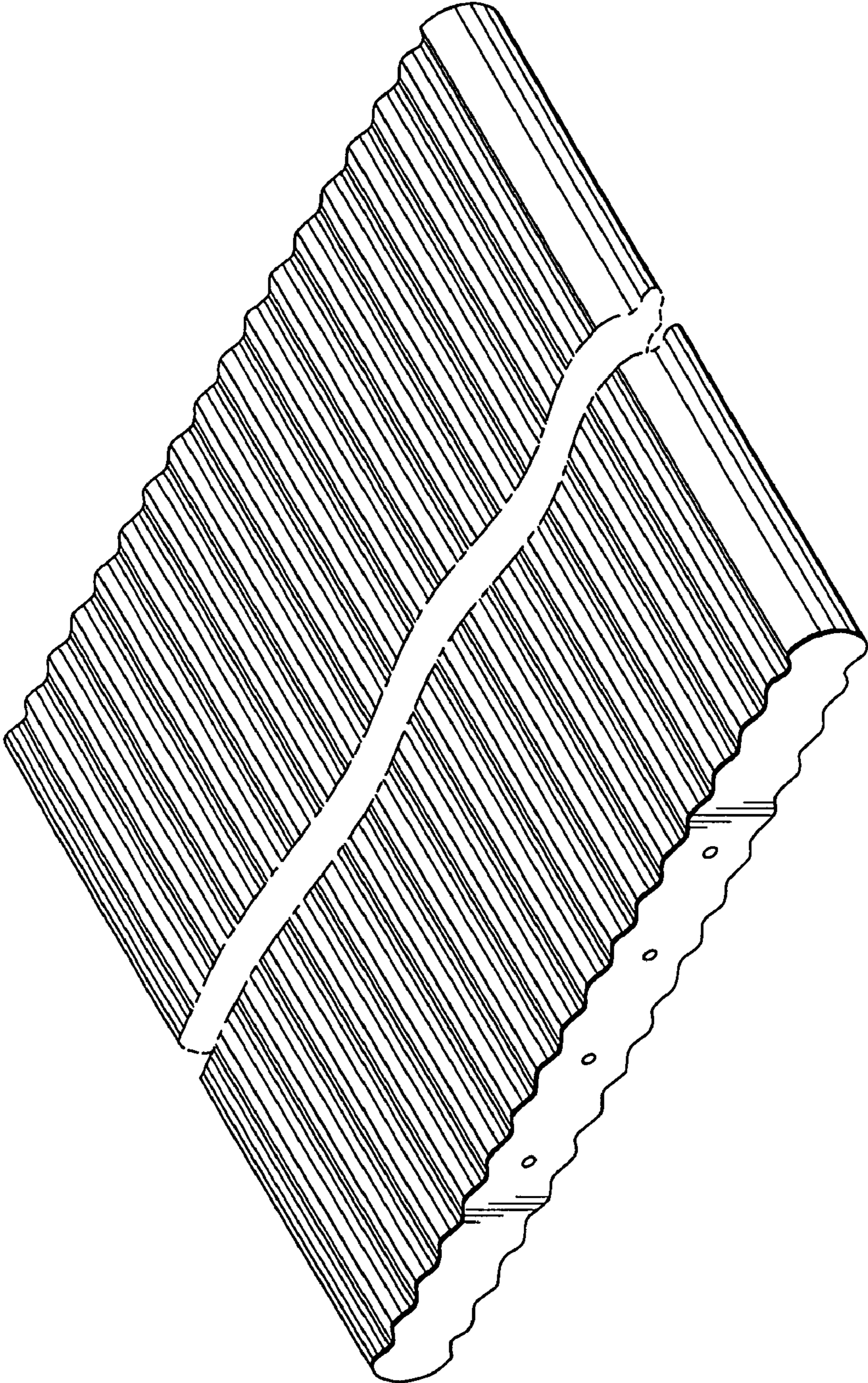


FIG. 1



FIG. 2



FIG. 3



FIG. 4



FIG. 5

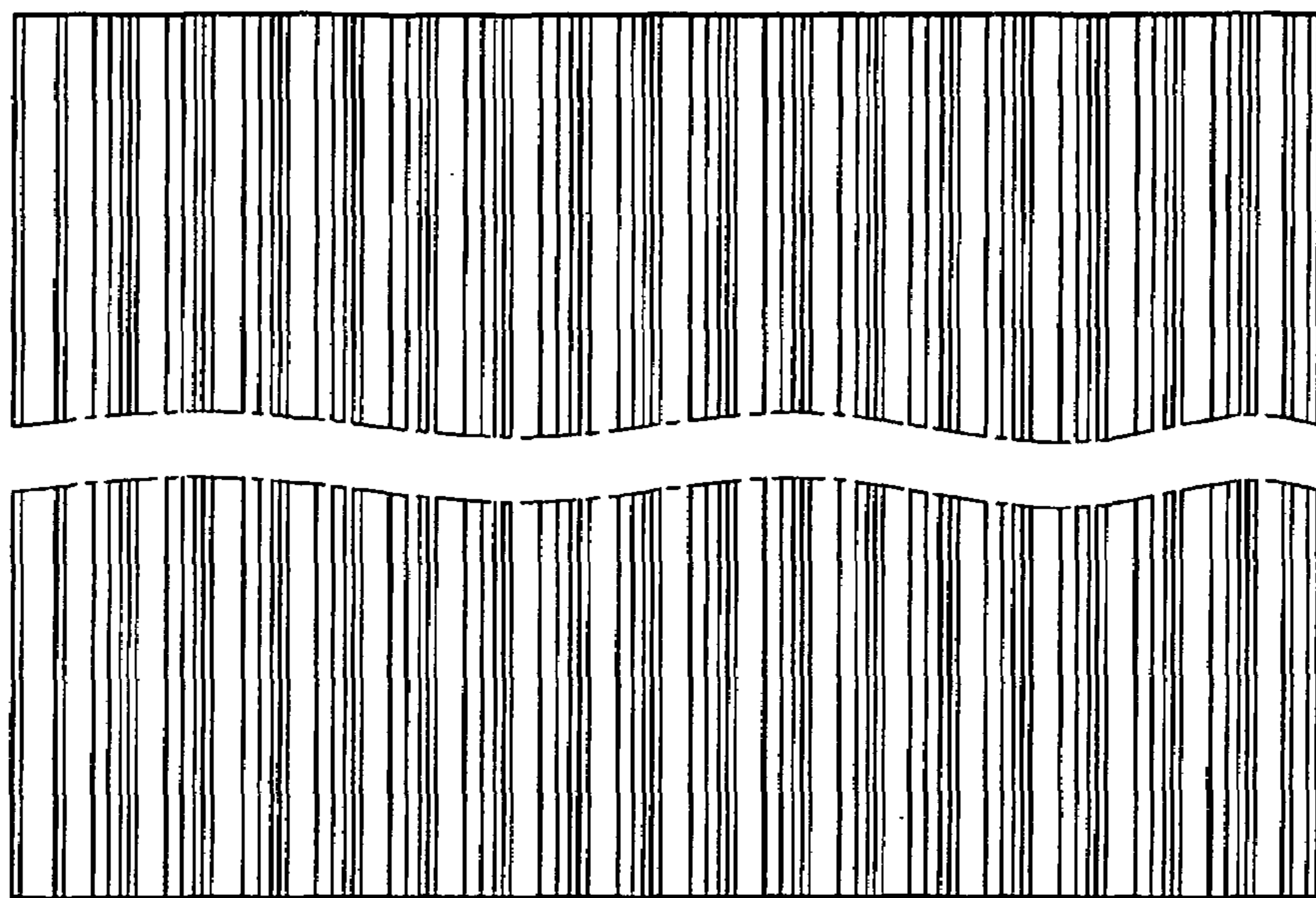


FIG. 6

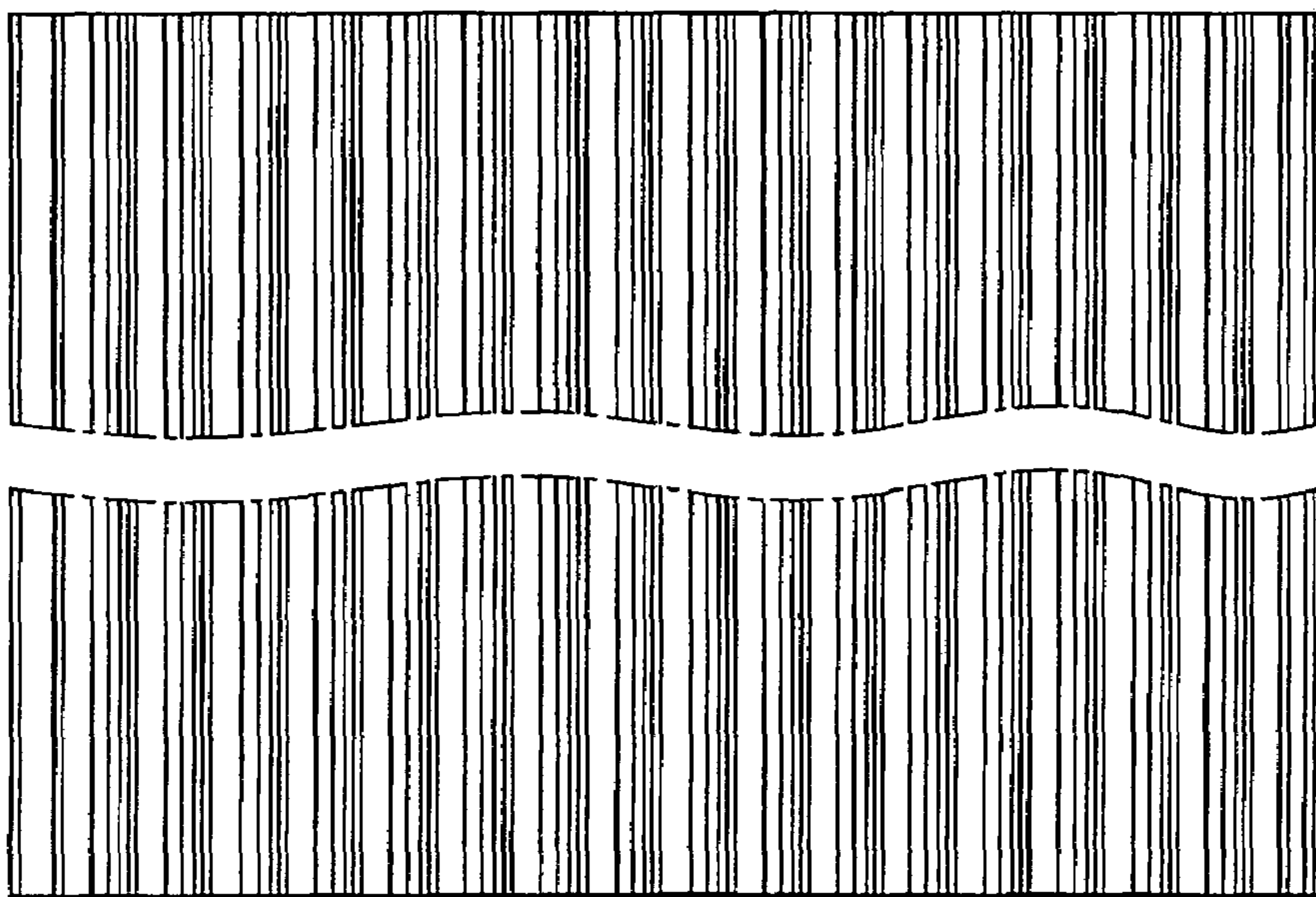


FIG. 7