

US00D564238S

(12) **United States Design Patent** (10) **Patent No.:** **US D564,238 S**  
**Knobloch et al.** (45) **Date of Patent:** **\*\* \*Mar. 18, 2008**

(54) **PAPER PRODUCT**

(75) Inventors: **Throsten Knobloch**, Loveland, OH (US); **Luis Bernardo De La Rosa**, Mason, OH (US); **Gregg Thomas Weaver**, Liberty Township, OH (US); **Jennifer Hope Dolan**, Cincinnati, OH (US)

(73) Assignee: **The Procter & Gamble Company**, Cincinnati, OH (US)

(\*) Notice: This patent is subject to a terminal disclaimer.

(\*\*) Term: **14 Years**

(21) Appl. No.: **29/268,552**

(22) Filed: **Nov. 8, 2006**

**Related U.S. Application Data**

(60) Continuation-in-part of application No. 29/244,207, filed on Dec. 7, 2005, now Pat. No. Des. 536,532, which is a division of application No. 29/217,495, filed on Nov. 19, 2004, now Pat. No. Des. 521,250, which is a continuation-in-part of application No. 29/213,823, filed on Sep. 23, 2004, now Pat. No. Des. 508,613.

(51) **LOC (8) Cl.** ..... **05-06**

(52) **U.S. Cl.** ..... **D5/57; D5/53**

(58) **Field of Classification Search** ..... D5/1-3, D5/5, 7-8, 11, 13-16, 19-20, 23-28, 30, D5/32, 35-37, 39, 41, 45, 47, 49-50, 52-66, D5/99; D6/582-583, 595-596, 598, 608, D6/603-606, 613, 616, 617, 619, 622; 428/17-18, 428/151, 154, 156, 171, 178, 187, 198, 199, 428/540, 542.2, 542.6, 919, 904.4; D24/124-126; D25/142, 152; 5/413 AM, 709; 162/134, 162/140, 109, 231, 117; 156/148, 209

See application file for complete search history.

(56) **References Cited**

U.S. PATENT DOCUMENTS

D60,408 S \* 2/1922 Humphreys ..... D5/60

(Continued)

FOREIGN PATENT DOCUMENTS

GB 2093988 S \* 1/2000

OTHER PUBLICATIONS

Bounty® paper towel product—2003.

(Continued)

*Primary Examiner*—T. Chase Nelson

(74) *Attorney, Agent, or Firm*—C. Brant Cook; Betty J. Zea; David M. Weirich

(57) **CLAIM**

The ornamental design for a paper product, as shown and described.

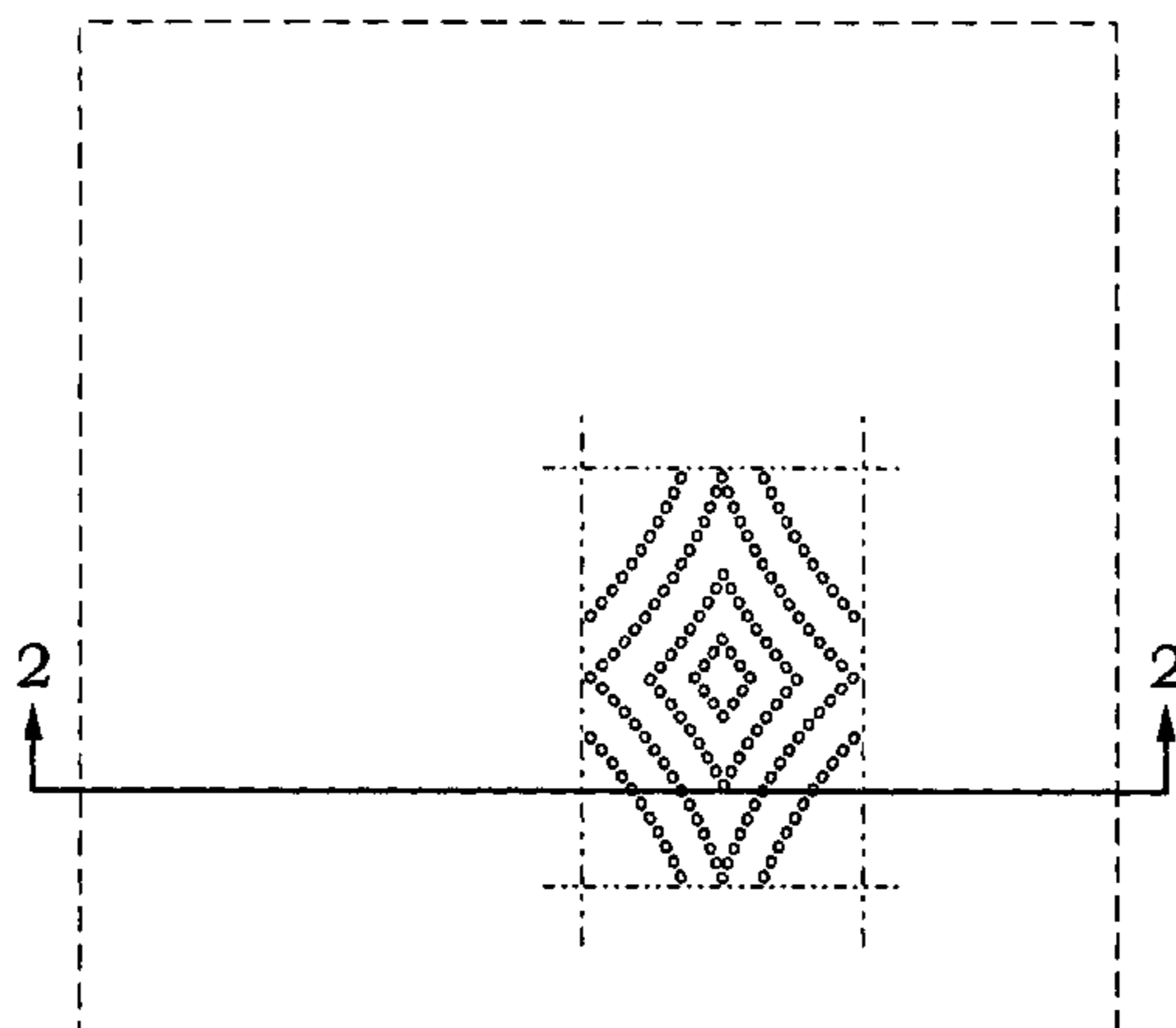
**DESCRIPTION**

FIG. 1 is a top plan view of a paper product showing our new ornamental design; and,

FIG. 2 is an enlarged sectional view of the paper product of FIG. 1 taken along line 2—2.

The inner perimeter of dash/dot lines defines the repeat unit of the paper product, which repeats uniformly throughout the entire surface of the paper product. The outer perimeter of broken lines indicates that a specific length and width of paper product form no part of the claimed design. The broken line showings are for illustrative purposes only and also form no part of the claimed design. The surfaces or portions not shown in the drawings or described in the specification form no part of the claimed design.

**1 Claim, 1 Drawing Sheet**



U.S. PATENT DOCUMENTS

D178,454 S \* 8/1956 Klein ..... D5/53  
 D178,455 S \* 8/1956 Klein ..... D5/53  
 D239,137 S \* 3/1976 Appleman ..... D5/57  
 D298,702 S \* 11/1988 Drew ..... D5/53  
 D349,159 S \* 7/1994 Huffman ..... D5/53  
 D362,967 S 10/1995 Rothwell et al.  
 D382,162 S 8/1997 Ertolacci et al.  
 D382,713 S 8/1997 Giesler, Sr.  
 D384,210 S 9/1997 Du Grosriez  
 D386,620 S 11/1997 Giesler  
 D392,108 S 3/1998 Diggins et al.  
 D395,955 S 7/1998 Du Grosriez  
 D416,393 S 11/1999 Enderby et al.  
 D419,307 S 1/2000 Boyce  
 D419,781 S 2/2000 Pratt et al.  
 D422,150 S 4/2000 Enderby  
 D423,232 S 4/2000 Reid  
 D425,354 S 5/2000 Rogers et al.  
 D426,709 S 6/2000 Latchoo et al.  
 D426,959 S 6/2000 Jahner et al.  
 D426,960 S 6/2000 Jahner et al.  
 D427,472 S 7/2000 Rogers et al.  
 D428,264 S 7/2000 Boyce  
 D428,265 S 7/2000 Jahner et al.  
 D428,267 S 7/2000 Romano, III et al.  
 D428,708 S 8/2000 Jahner et al.  
 D428,709 S 8/2000 Jahner et al.  
 D429,893 S 8/2000 Jahner et al.  
 D430,406 S 9/2000 Ingalls  
 D430,407 S 9/2000 Ingalls  
 D431,371 S 10/2000 Ingalls et al.  
 D431,372 S 10/2000 Ingalls et al.  
 D433,239 S 11/2000 Jahner et al.  
 D436,740 S 1/2001 Jahner et al.  
 D438,017 S 2/2001 Reid  
 D438,711 S 3/2001 Graff et al.  
 D440,773 S 4/2001 Rogers et al.  
 D441,167 S 4/2001 Graff et al.  
 D441,540 S 5/2001 Enderby et al.  
 D441,541 S 5/2001 Greenfield et al.  
 D442,786 S 5/2001 Enderby et al.  
 6,235,373 B1 \* 5/2001 Graff ..... 428/154  
 D443,146 S 6/2001 Enderby et al.  
 6,261,666 B1 \* 7/2001 Enderby et al. .... 428/154  
 D447,875 S 9/2001 Graff et al.

D448,574 S 10/2001 Graff et al.  
 D448,575 S 10/2001 Graff et al.  
 D449,452 S 10/2001 Graff et al.  
 D449,453 S 10/2001 Duritsch et al.  
 D450,934 S 11/2001 Duritsch et al.  
 D451,682 S 12/2001 Jahner et al.  
 D453,421 S 2/2002 Greenfield et al.  
 D461,317 S 8/2002 Jahner et al.  
 D463,137 S 9/2002 Monroe et al.  
 D465,093 S 11/2002 Jahner et al.  
 D465,338 S 11/2002 Jahner et al.  
 D472,056 S \* 3/2003 Jahner ..... D5/57  
 D494,766 S 8/2004 Boerschinger et al.  
 D496,797 S 10/2004 Boerschinger et al.  
 D508,613 S 8/2005 Knobloch et al.  
 D509,366 S \* 9/2005 Pommier et al. .... D5/57  
 6,986,825 B1 \* 1/2006 Squires et al. .... 156/209  
 D516,822 S \* 3/2006 Enderby ..... D5/57  
 D518,965 S \* 4/2006 Enderby ..... D5/57  
 D521,250 S 5/2006 Knobloch et al.  
 D521,251 S \* 5/2006 Enderby ..... D5/57  
 D523,644 S \* 6/2006 Knobloch et al. .... D5/57  
 7,083,845 B2 \* 8/2006 Graff ..... 428/156  
 D527,910 S \* 9/2006 Enderby ..... D5/57  
 D535,107 S \* 1/2007 Knobloch et al. .... D5/57  
 D546,072 S \* 7/2007 Fung ..... D5/57  
 D550,969 S \* 9/2007 Fung et al. .... D5/57  
 2003/0021953 A1 \* 1/2003 Graff ..... 428/156  
 2005/0034828 A1 \* 2/2005 Graff et al. .... 156/209  
 2006/0086472 A1 \* 4/2006 Hermans et al. .... 162/134  
 2006/0113049 A1 \* 6/2006 Knobloch et al. .... 162/117  
 2007/0056704 A1 \* 3/2007 Wilke, II ..... 162/117

OTHER PUBLICATIONS

Royale Premier paper towel product—2003.  
 ScotTowels Jumbo paper towel product—2003.  
 Ja! paper towel product—2003.  
 Tesco Ultra paper towel product—2003.  
 Cascades Ultra paper towel product—2003.  
 U.S. Appl. No. 29/192,034, filed Oct. 16, 2003, Prodoehl.  
 U.S. Appl. No. 29/191,941, filed Oct. 16, 2003, Prodoehl.  
 U.S. Appl. No. 11/068,125, filed Feb. 28, 2005, Knobloch et al.  
 U.S. Appl. No. 29/244,207, filed Dec. 7, 2005, Knobloch et al.  
 U.S. Appl. No. 29/255,517, filed Mar. 9, 2006, Knobloch et al.

\* cited by examiner

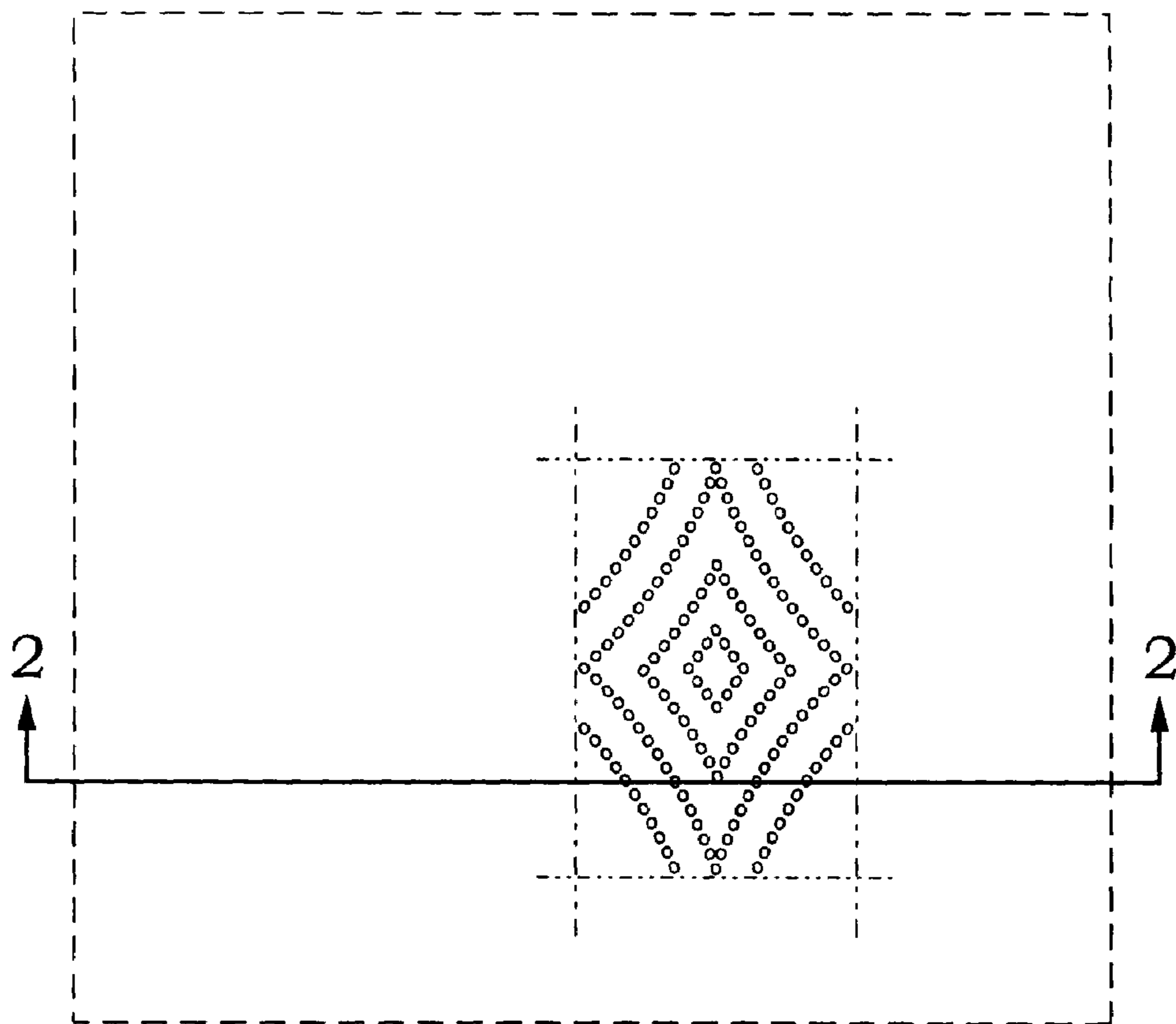


Fig. 1



Fig. 2