



US00D564232S

(12) **United States Design Patent**  
**Schulz**

(10) **Patent No.:** **US D564,232 S**  
(45) **Date of Patent:** **\*\* Mar. 18, 2008**

(54) **SHAVING BRUSH**

(75) Inventor: **Kristopher William Schulz**,  
Framingham, MA (US)  
(73) Assignee: **The Gillette Company**, Boston, MA  
(US)  
(\*\*) Term: **14 Years**  
(21) Appl. No.: **29/286,367**  
(22) Filed: **May 3, 2007**

(51) **LOC (8) Cl.** ..... **04-02**  
(52) **U.S. Cl.** ..... **D4/127; D4/138**  
(58) **Field of Classification Search** ..... D4/127,  
D4/132-136, 138; D28/7; 15/143.1, 159.1,  
15/160, 191.1, 192-194; 132/289, 290, 293,  
132/313, 317, 320  
See application file for complete search history.

(56) **References Cited**

**U.S. PATENT DOCUMENTS**

D52,489 S \* 9/1918 Palmer ..... D8/303  
1,810,544 A \* 6/1931 Trupiano ..... 401/279  
1,909,146 A \* 5/1933 Bohanan ..... 401/174  
2,681,462 A \* 6/1954 Turnes ..... 401/116

**FOREIGN PATENT DOCUMENTS**

FR 2582921 A1 \* 12/1986  
SU 1808296 A1 \* 4/1993

**OTHER PUBLICATIONS**

Screen Shot from the Art of Shaving Website visited on Mar. 30,  
2007 showing 3 shaving brushes in color. <http://www.theartofshaving.com>.

\* cited by examiner

*Primary Examiner*—Cathron Brooks  
*Assistant Examiner*—Lavone D. Tabor  
(74) *Attorney, Agent, or Firm*—Kevin C. Johnson

(57) **CLAIM**

The ornamental design for a shaving brush, as shown and  
described.

**DESCRIPTION**

FIG. 1 is a top perspective view of a shaving brush showing  
my new design;

FIG. 2 is a front view thereof;

FIG. 3 is a right side elevation view thereof;

FIG. 4 is a rear elevation view thereof;

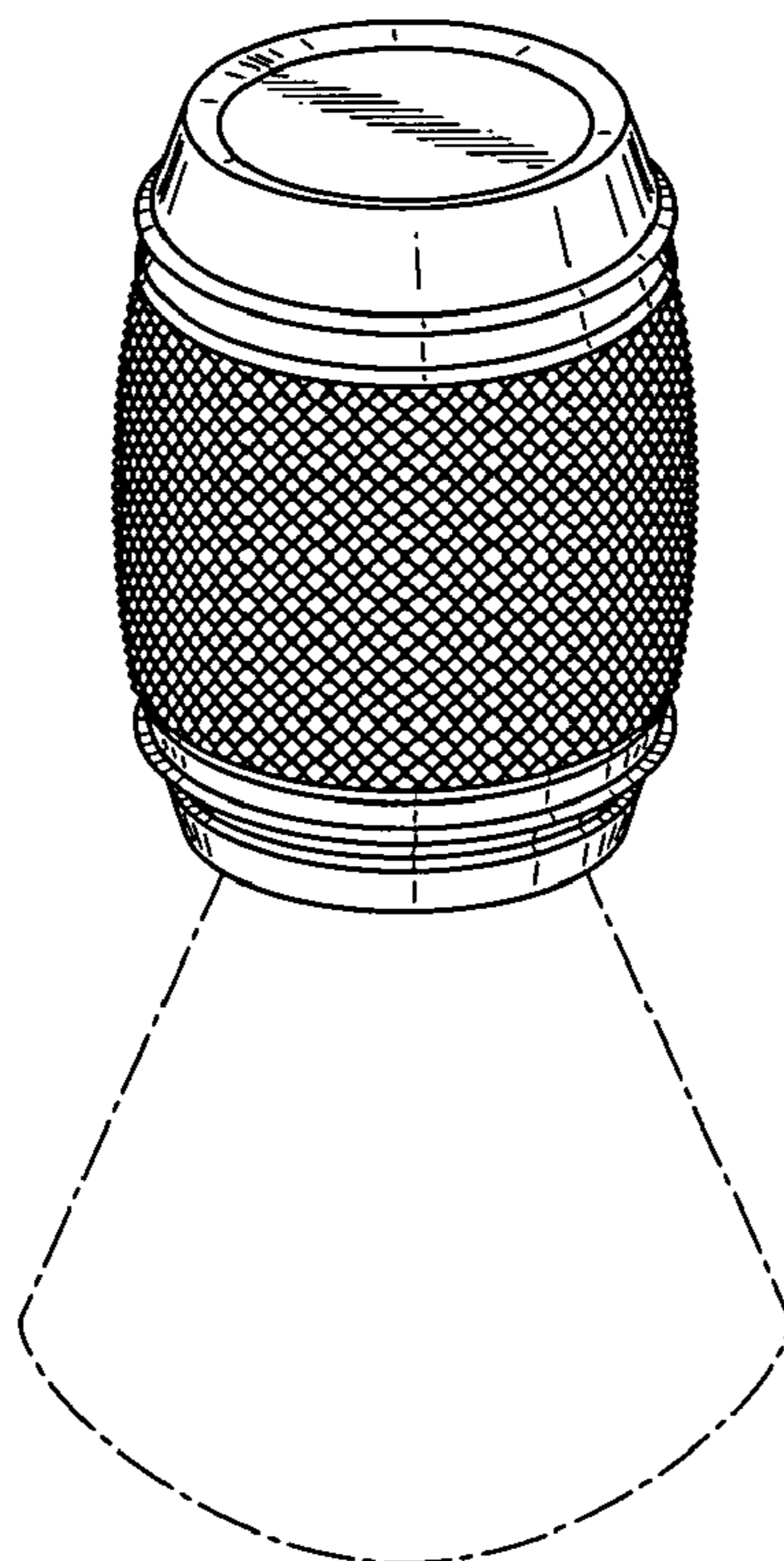
FIG. 5 is a left elevation view thereof;

FIG. 6 is a top elevation view thereof; and,

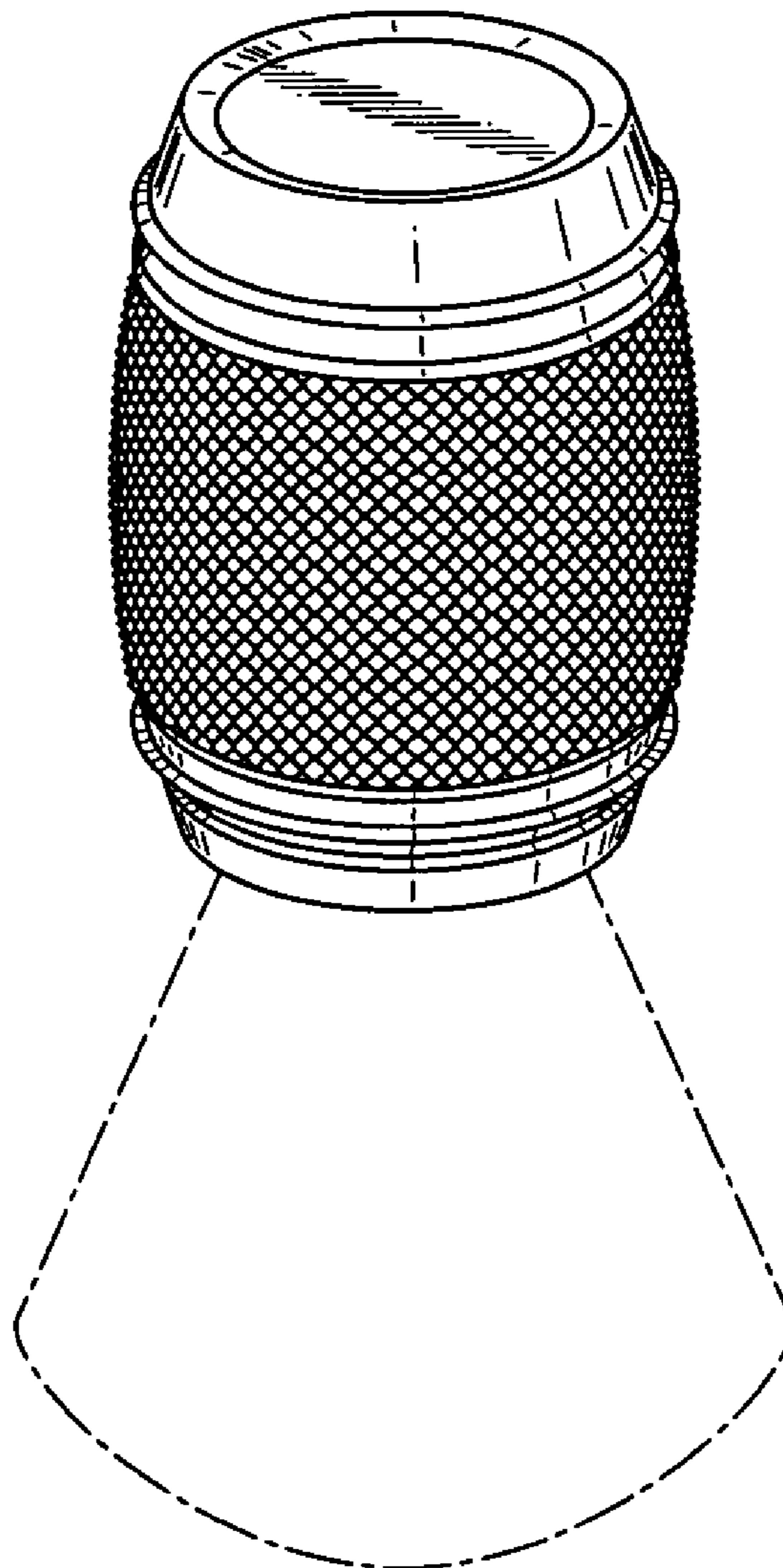
FIG. 7 is a bottom elevation view thereof.

The broken line disclosure of the bristles is for illustrative  
purposes only and does not constitute a part of the claimed  
design.

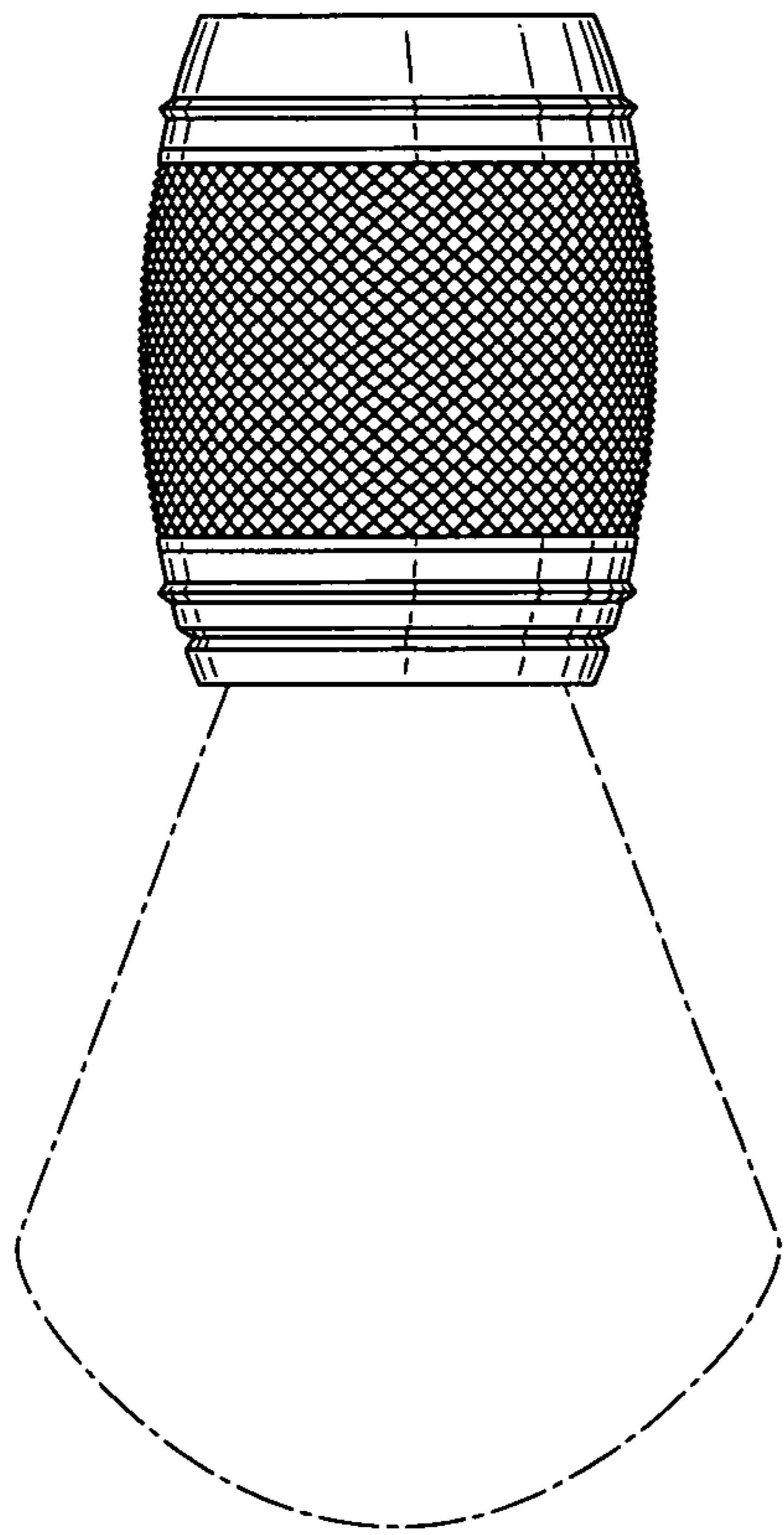
**1 Claim, 4 Drawing Sheets**



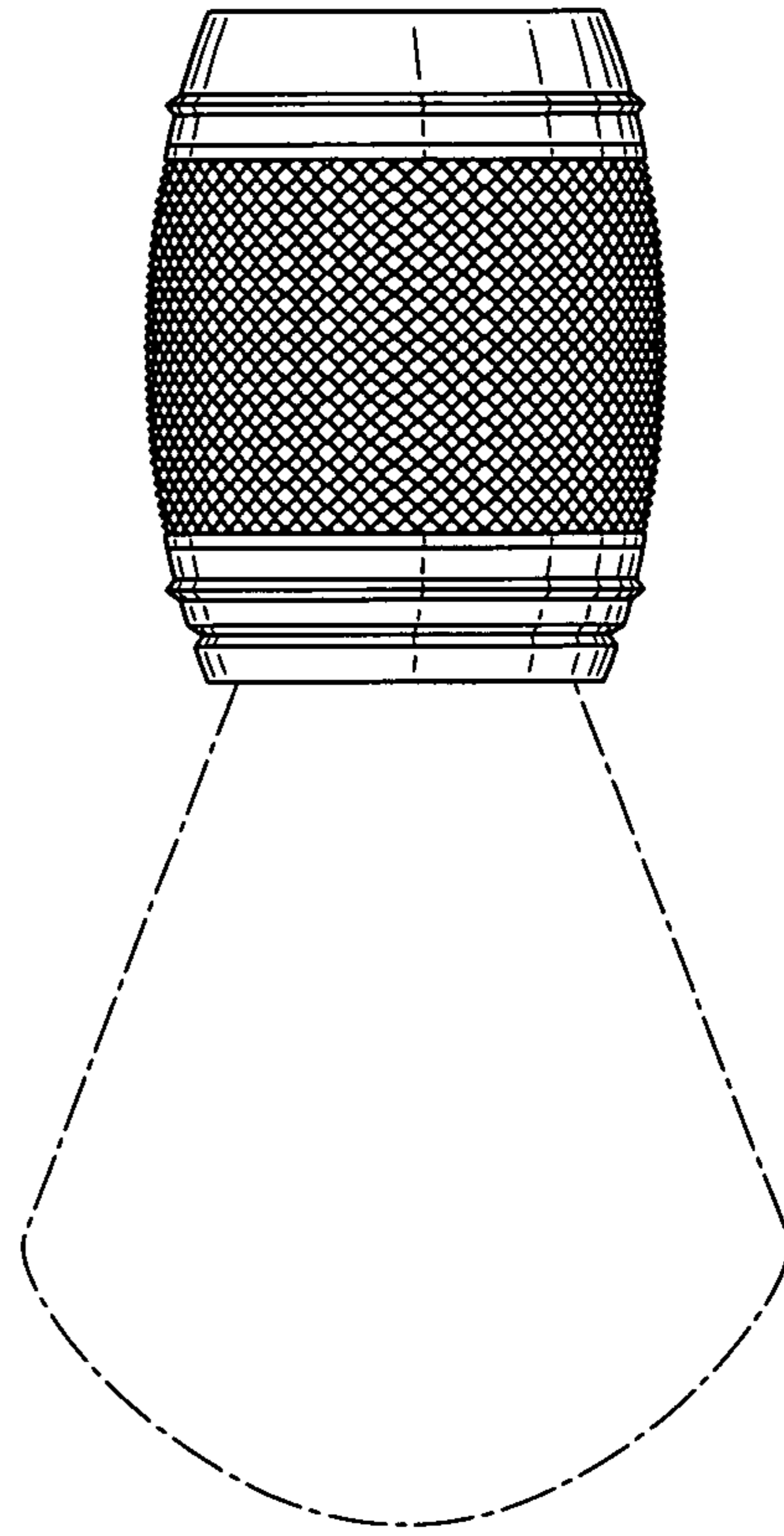
**FIG. 1**



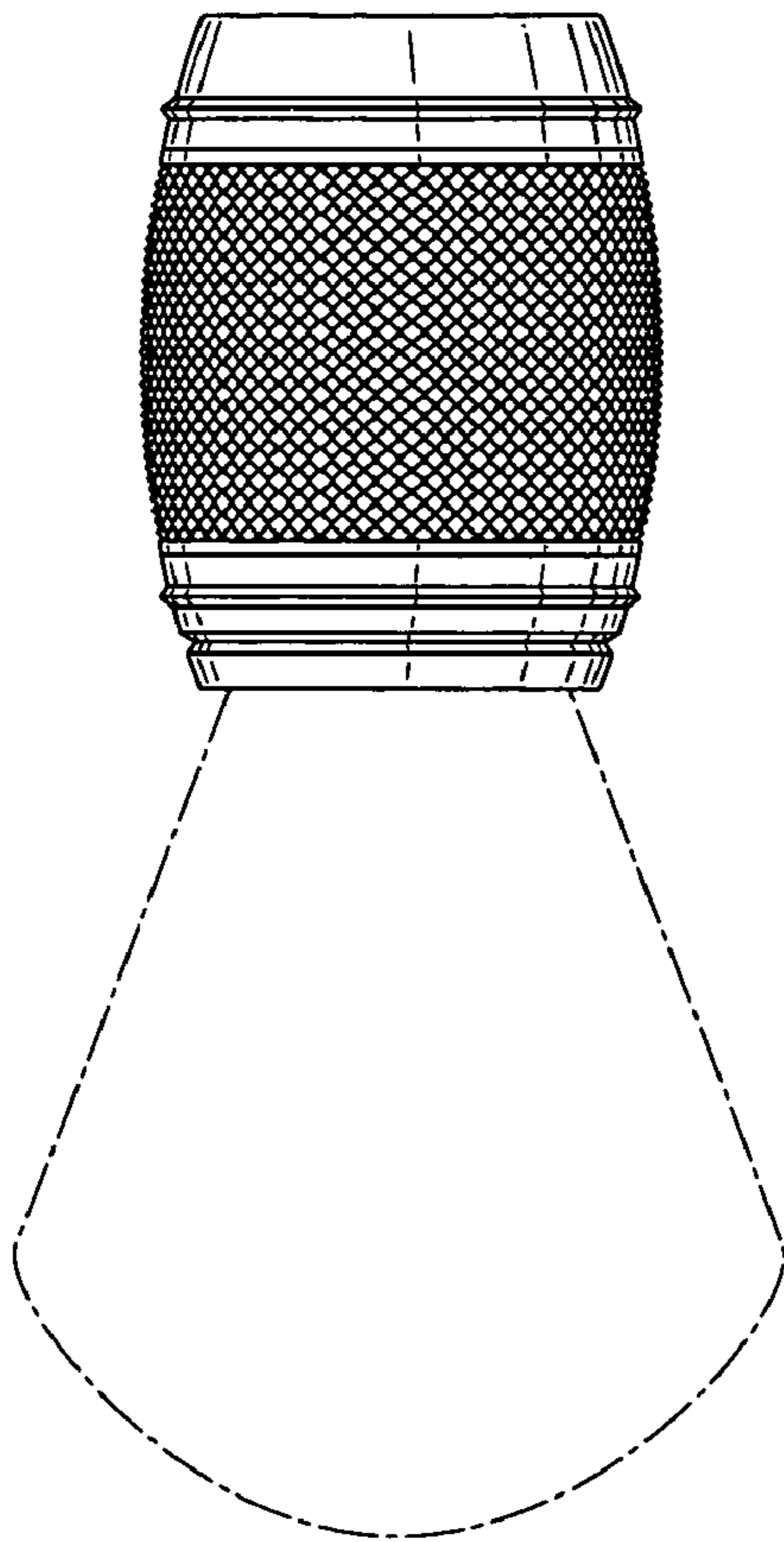
**FIG. 2**



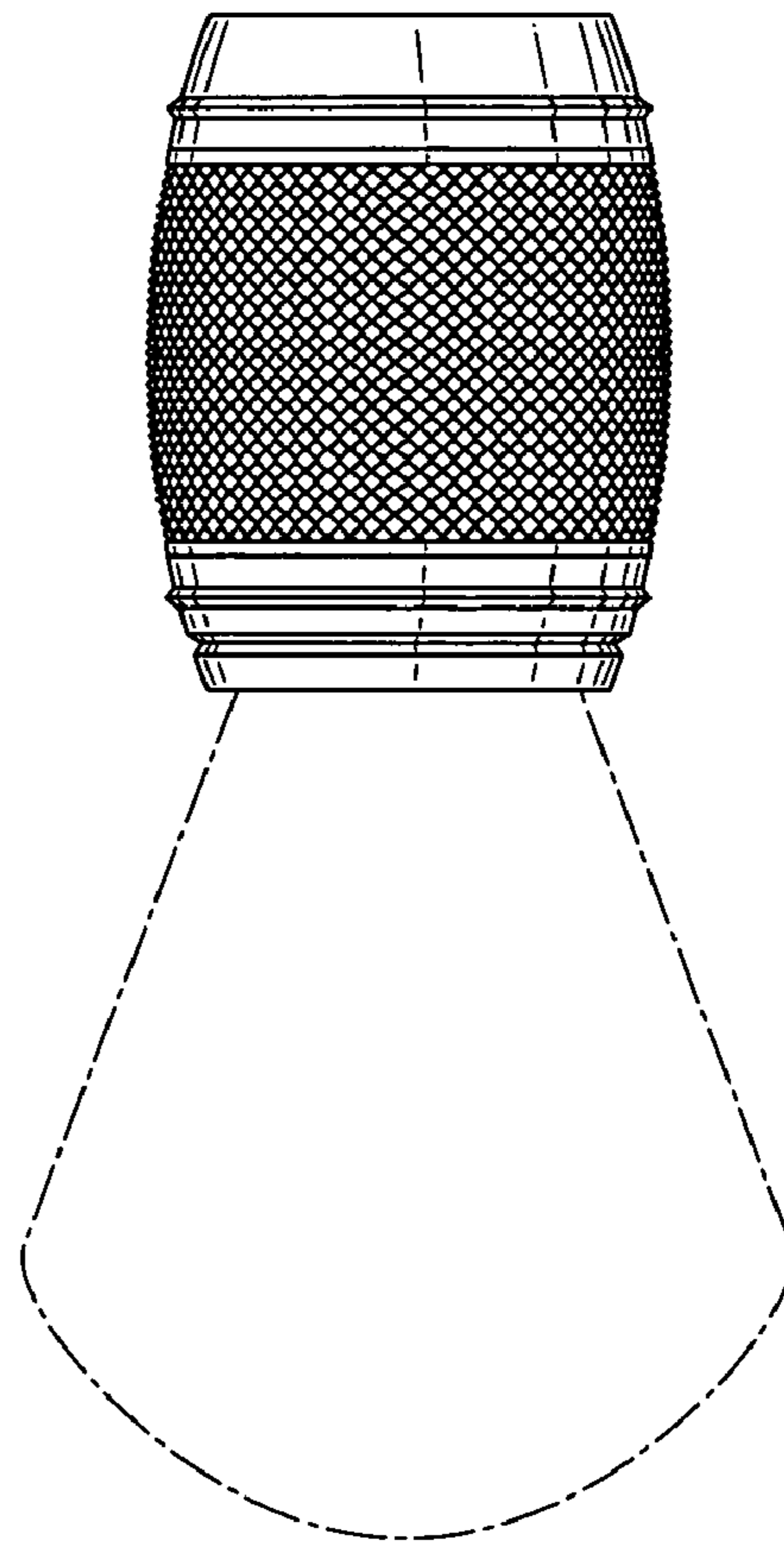
**FIG. 3**



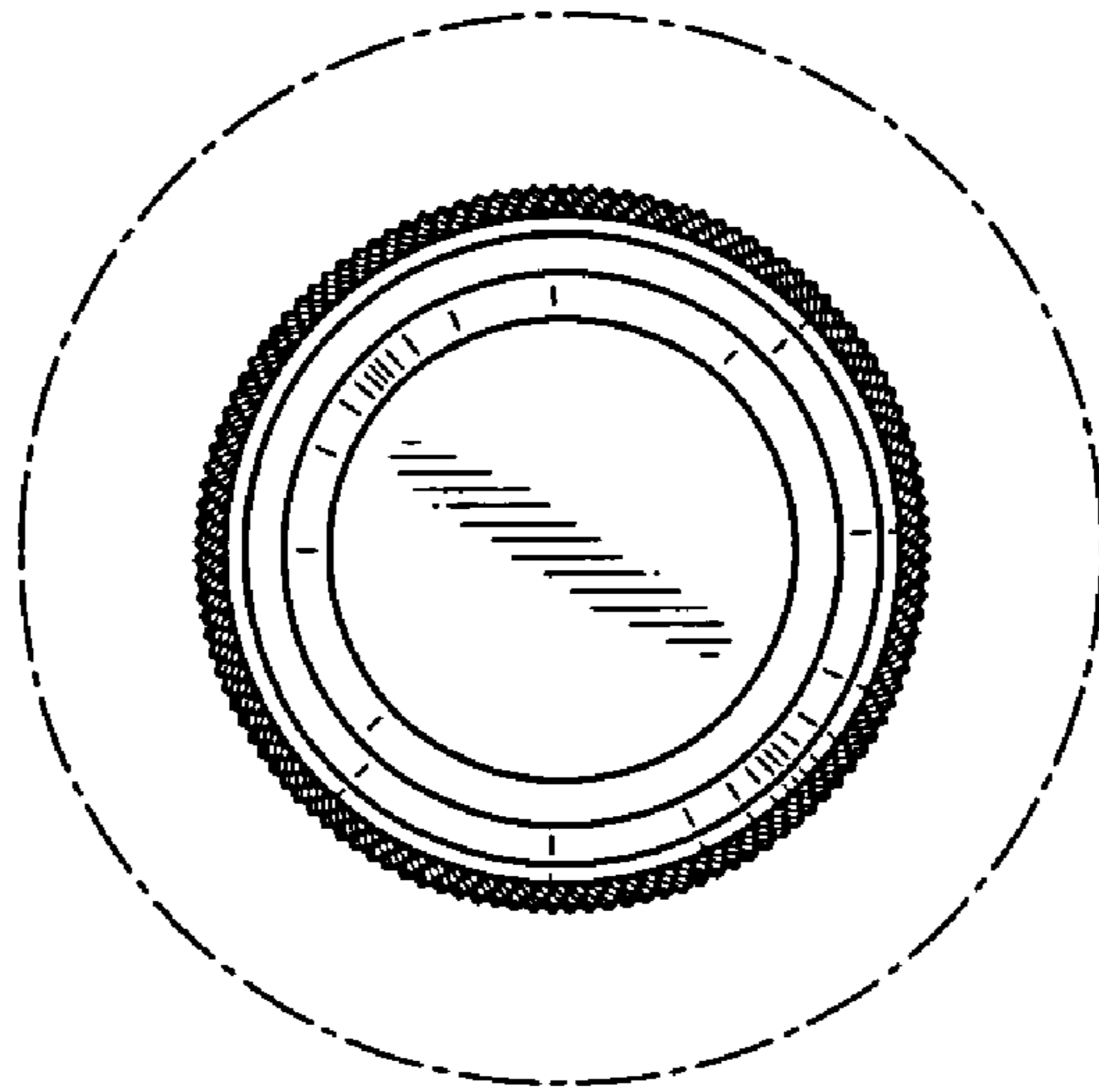
**FIG. 4**



**FIG. 5**



**FIG. 6**



**FIG. 7**

