



US00D564230S

(12) **United States Design Patent**
Schouten

(10) **Patent No.: US D564,230 S**
(45) **Date of Patent: ** Mar. 18, 2008**

(54) **SNOW TOOL WITH TELESCOPING HANDLE**

(75) Inventor: **Pieter Schouten**, Berkley, CA (US)

(73) Assignee: **Hopkins Manufacturing Corporation**, Emporia, KS (US)

(**) Term: **14 Years**

(21) Appl. No.: **29/246,392**

(22) Filed: **Apr. 6, 2006**

Related U.S. Application Data

(63) Continuation-in-part of application No. 11/163,419, filed on Oct. 18, 2005.

(51) **LOC (8) Cl.** **04-01**

(52) **U.S. Cl.** **D4/118; D4/121; D32/49**

(58) **Field of Classification Search** D4/116, D4/118, 121, 132, 134, 138; D32/42, 46, D32/49; 15/111, 117, 143.1, 144.3, 144.4, 15/159.1, 160, 236.01, 236.02, 236.08; 16/429, 16/430

See application file for complete search history.

(56) **References Cited**

U.S. PATENT DOCUMENTS

3,017,649 A * 1/1962 Racicot D4/118
D242,748 S * 12/1976 Graham et al. D4/118

D335,771 S * 5/1993 Mallory et al. D4/118
D346,903 S * 5/1994 Hillmer D32/42
6,243,906 B1 * 6/2001 Holliday et al. D4/118
D484,655 S * 12/2003 Anderson et al. D32/42
D501,726 S * 2/2005 Liu D4/118

* cited by examiner

Primary Examiner—Cathron Brooks

Assistant Examiner—Lavone D. Tabor

(74) *Attorney, Agent, or Firm*—George R. McGuire; David L. Nocilly; Bond, Schoeneck & King, PLLC

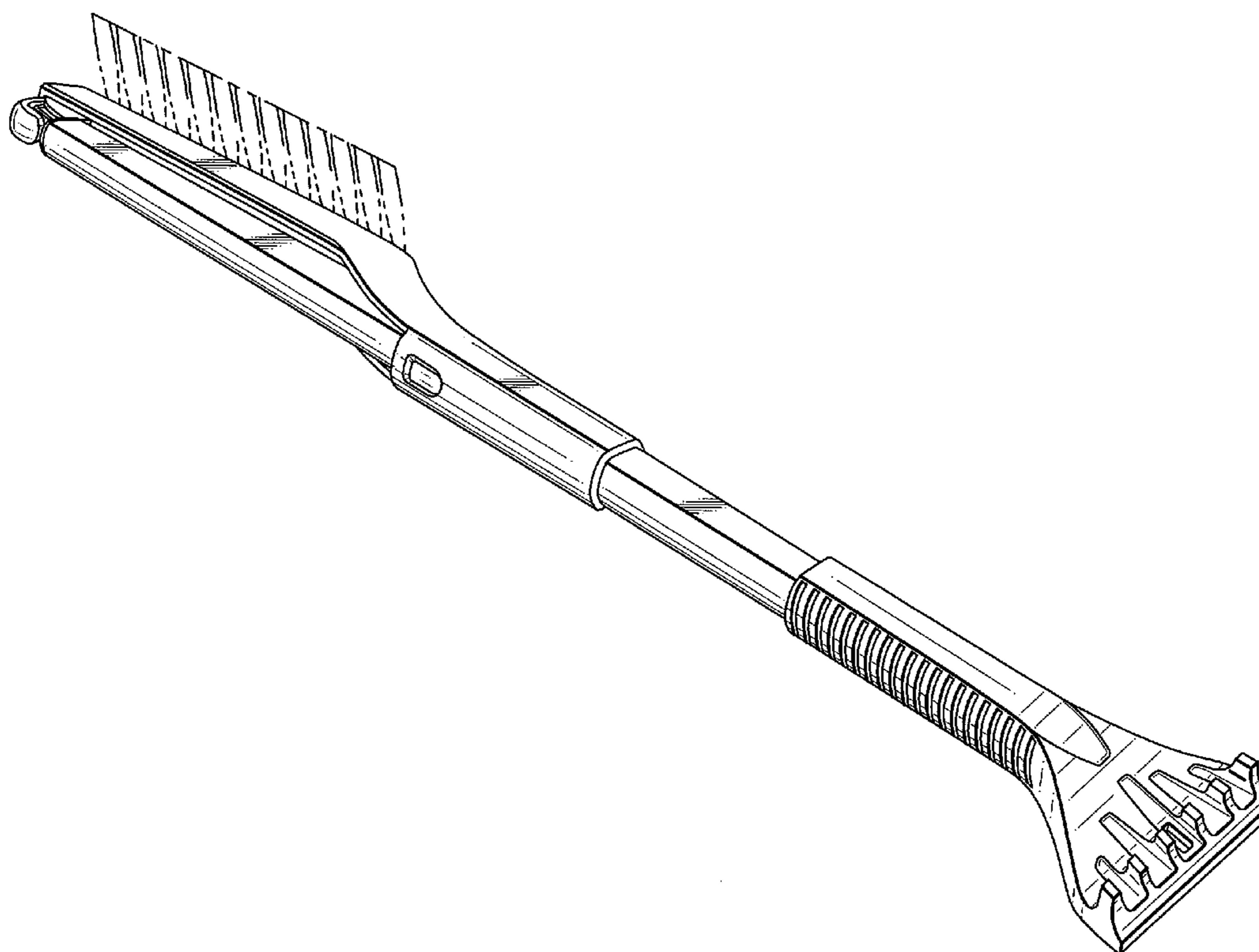
(57) **CLAIM**

The ornamental design for a snow tool with telescoping handle, as shown and described.

DESCRIPTION

FIG. 1 is a perspective view of a snow tool with telescoping handle showing my new design, the broken lines showing bristles being included for the purpose of illustrating portions of the article that form no part of the claimed design; FIG. 2 is a side elevation view thereof; FIG. 3 is a front-elevation view thereof; FIG. 4 is a side elevation view thereof; FIG. 5 is a rear elevation view thereof; and, FIG. 6 is a perspective view thereof with the handle in an extended position.

1 Claim, 3 Drawing Sheets



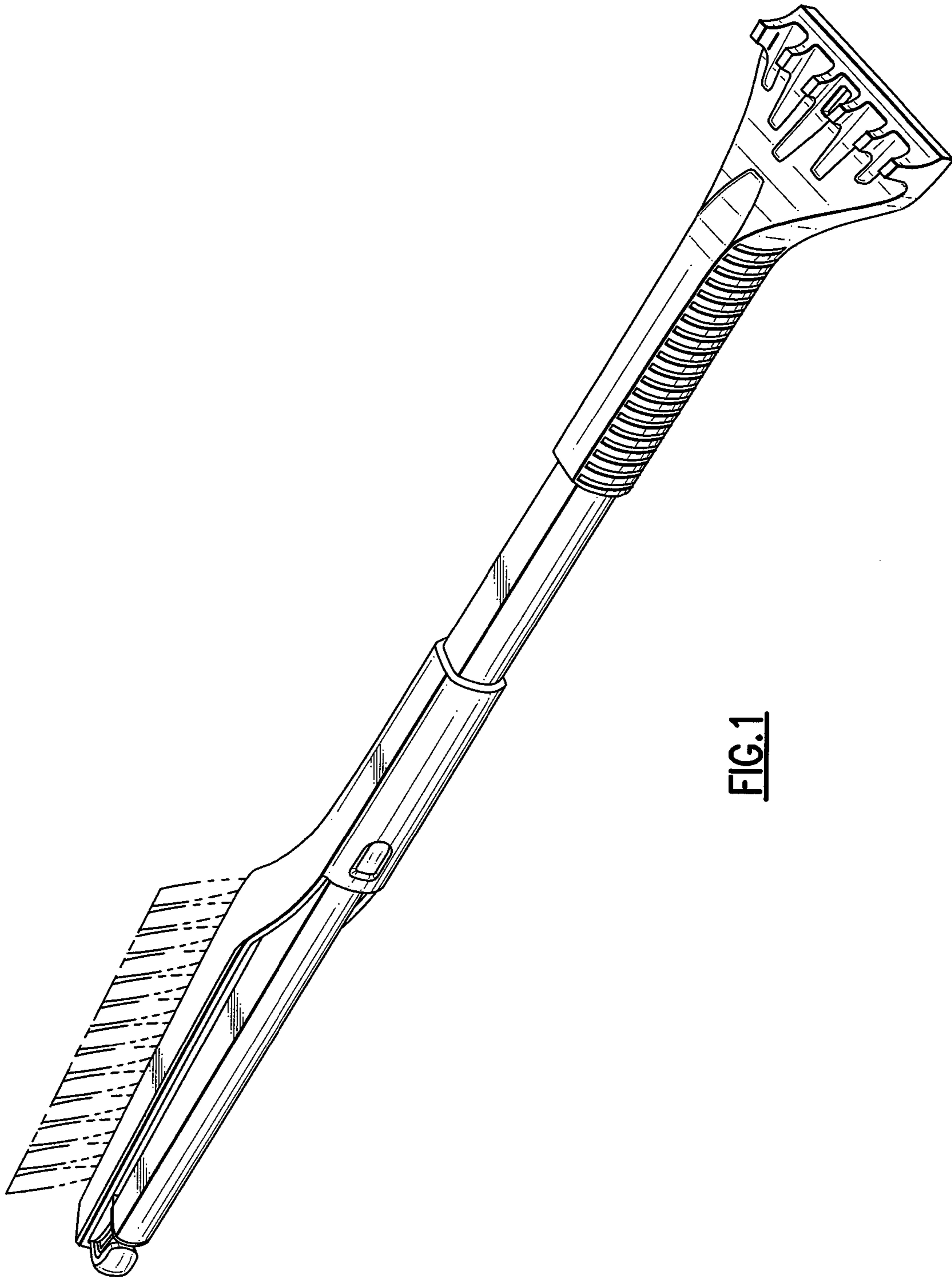
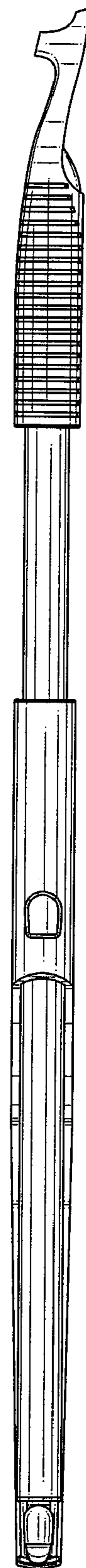
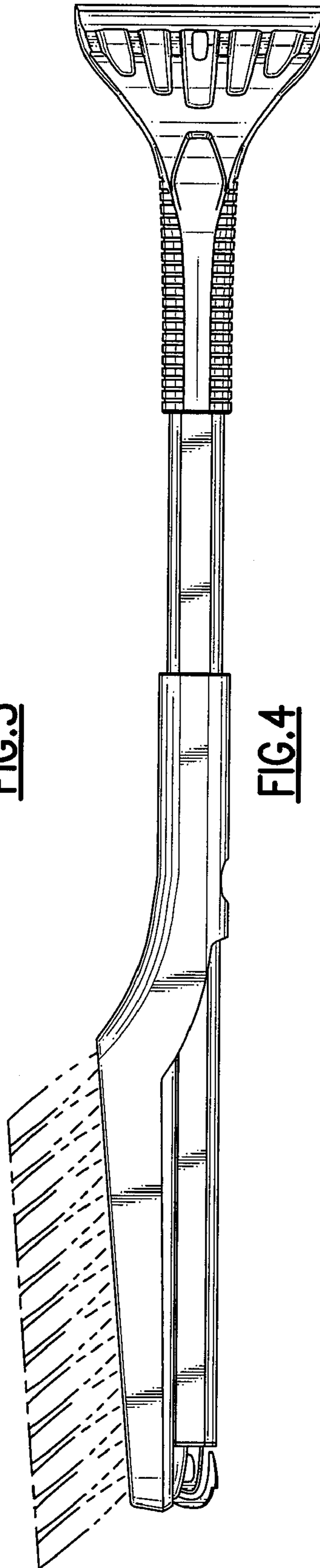
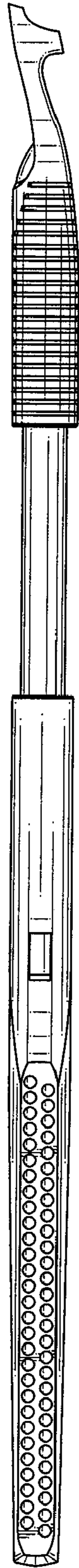
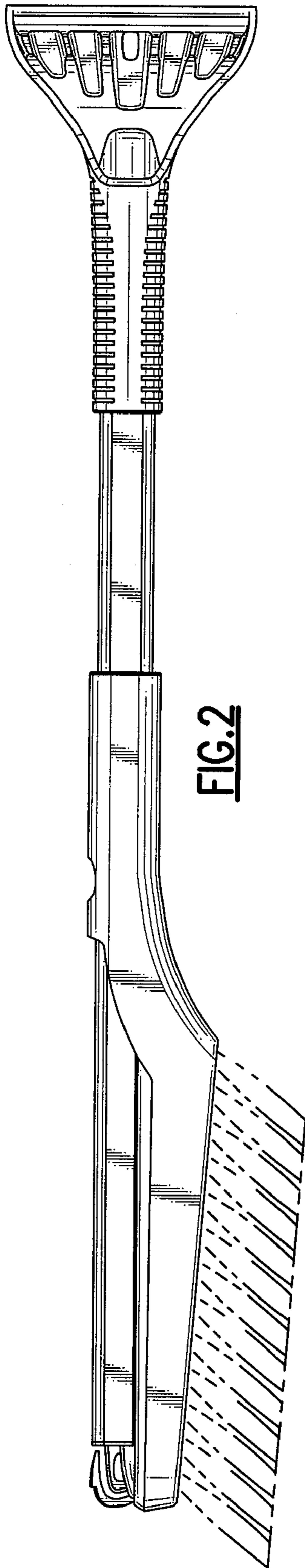


FIG. 1



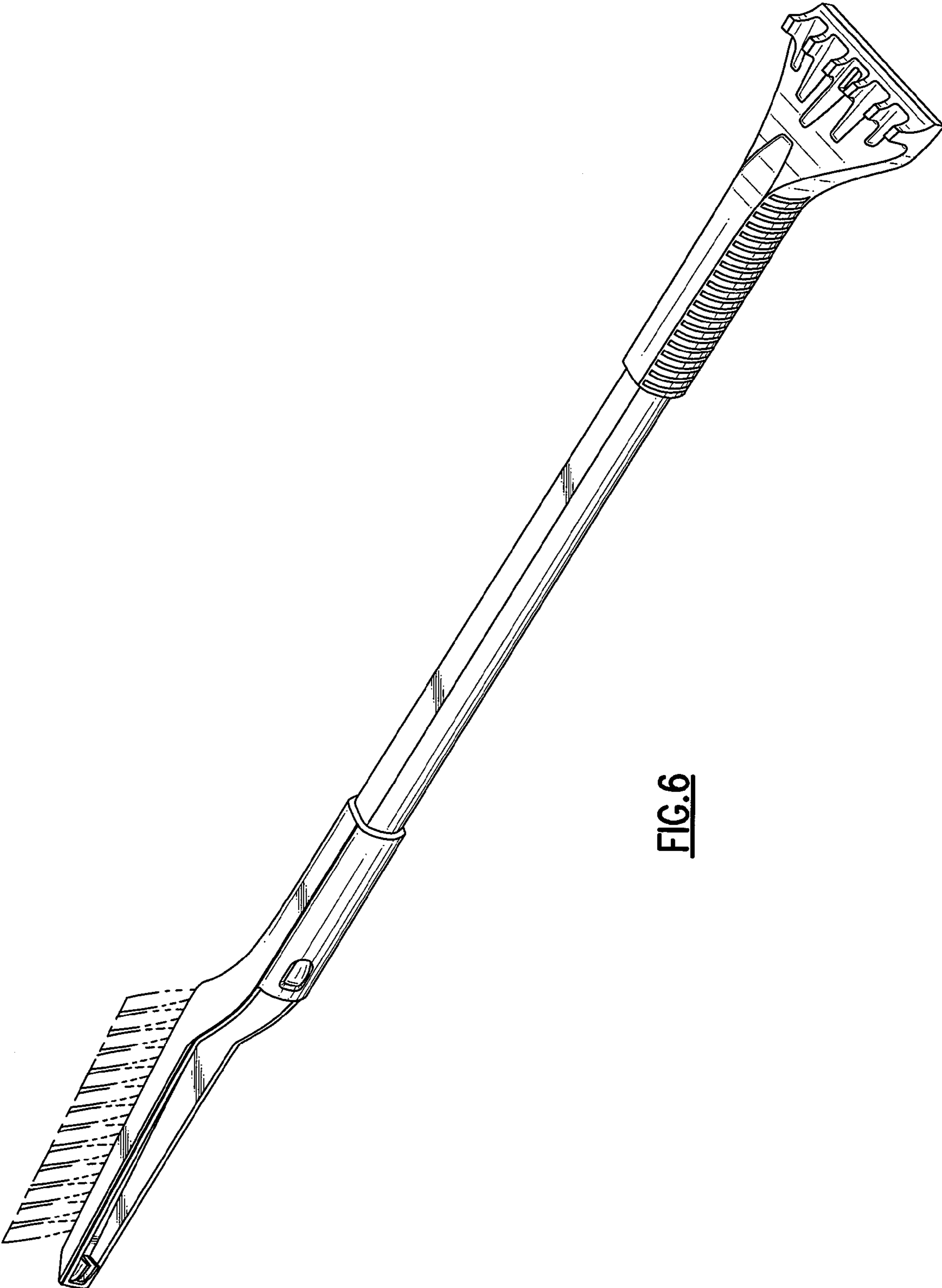


FIG. 6