

US00D564228S

(12) **United States Design Patent**
Morelli

(10) **Patent No.:** **US D564,228 S**
(45) **Date of Patent:** **** Mar. 18, 2008**

(54) **HANDBAG**

(75) Inventor: **Giovanni Morelli**, Milan (IT)

(73) Assignee: **Chloe**, Paris (FR)

(**) Term: **14 Years**

(21) Appl. No.: **29/282,247**

(22) Filed: **Jul. 16, 2007**

(30) **Foreign Application Priority Data**

Jan. 15, 2007 (HK) 07001086M

(51) **LOC (8) Cl.** **03-01**

(52) **U.S. Cl.** **D3/246**

(58) **Field of Classification Search** D3/231,
D3/232, 233, 239, 241, 243, 245, 246, 303,
D3/318, 319, 321, 322, 323, 324, 325, 326;
150/100, 106, 107, 108, 110, 111, 112, 118,
150/300; 190/100, 108, 109, 111, 112, 113,
190/114, 115, 116, 119, 900, 901, 902, 903;
383/6, 13, 25, 29, 30, 31, 37, 38, 41, 42,
383/84, 98

See application file for complete search history.

(56) **References Cited**

U.S. PATENT DOCUMENTS

D107,505 S * 12/1937 Felmann D3/246

D155,608 S * 10/1949 Hilf D3/240
D501,314 S * 2/2005 Morelli D3/246
D525,785 S * 8/2006 Suppancig D3/246
D539,536 S * 4/2007 Guyon D3/243
D551,859 S * 10/2007 Maier D3/246

* cited by examiner

Primary Examiner—Louis S. Zarfes

Assistant Examiner—Monica A Weingart

(74) *Attorney, Agent, or Firm*—Young & Thompson

(57) **CLAIM**

The ornamental design for a handbag, as shown and described.

DESCRIPTION

FIG. 1 is a front elevational view of a handbag showing my new design;

FIG. 2 is a right side elevational view thereof;

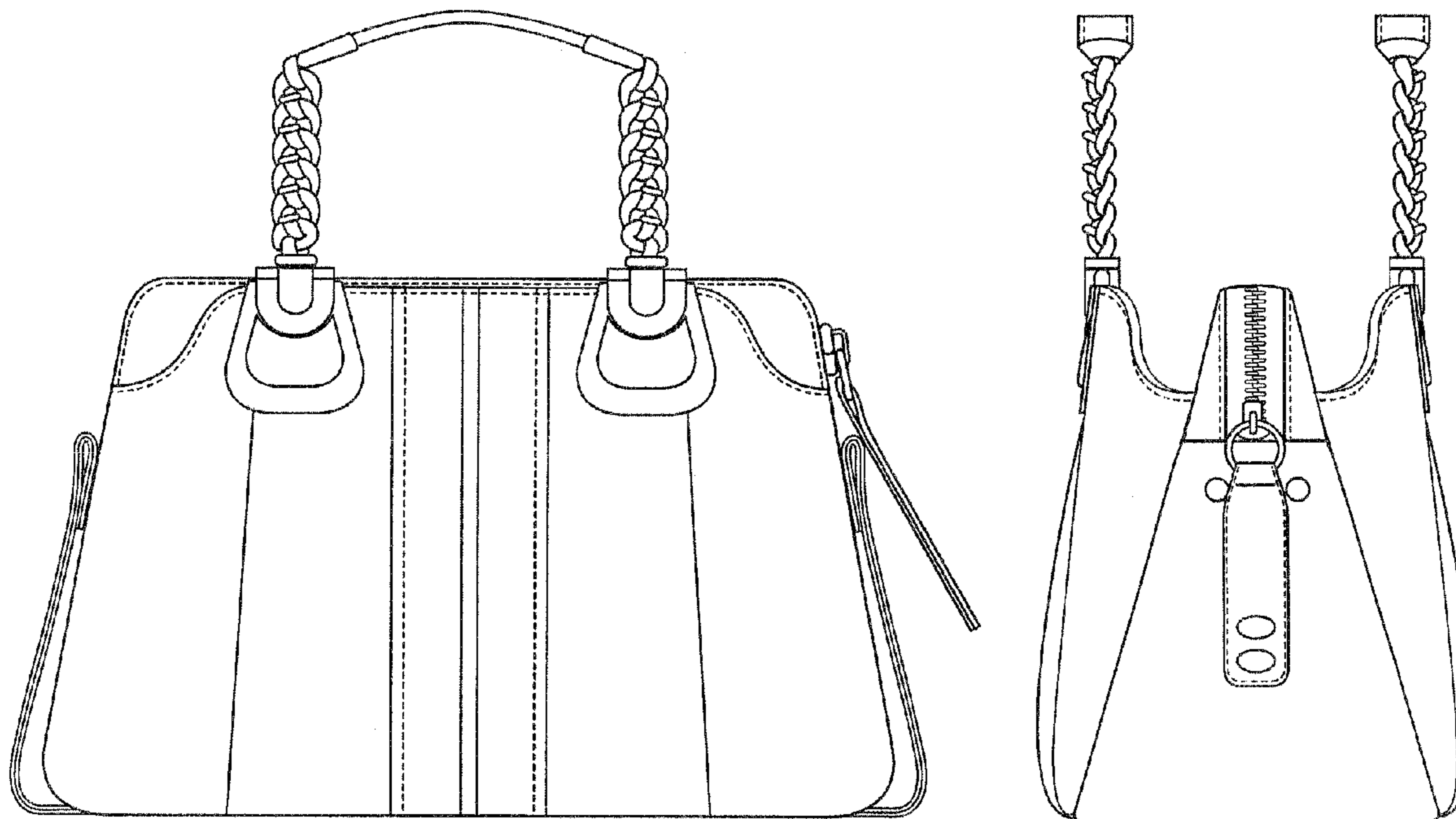
FIG. 3 is a left side elevational view thereof;

FIG. 4 is a top plan view thereof;

FIG. 5 is a bottom plan view thereof; and,

FIG. 6 is a rear elevational view thereof.

1 Claim, 4 Drawing Sheets



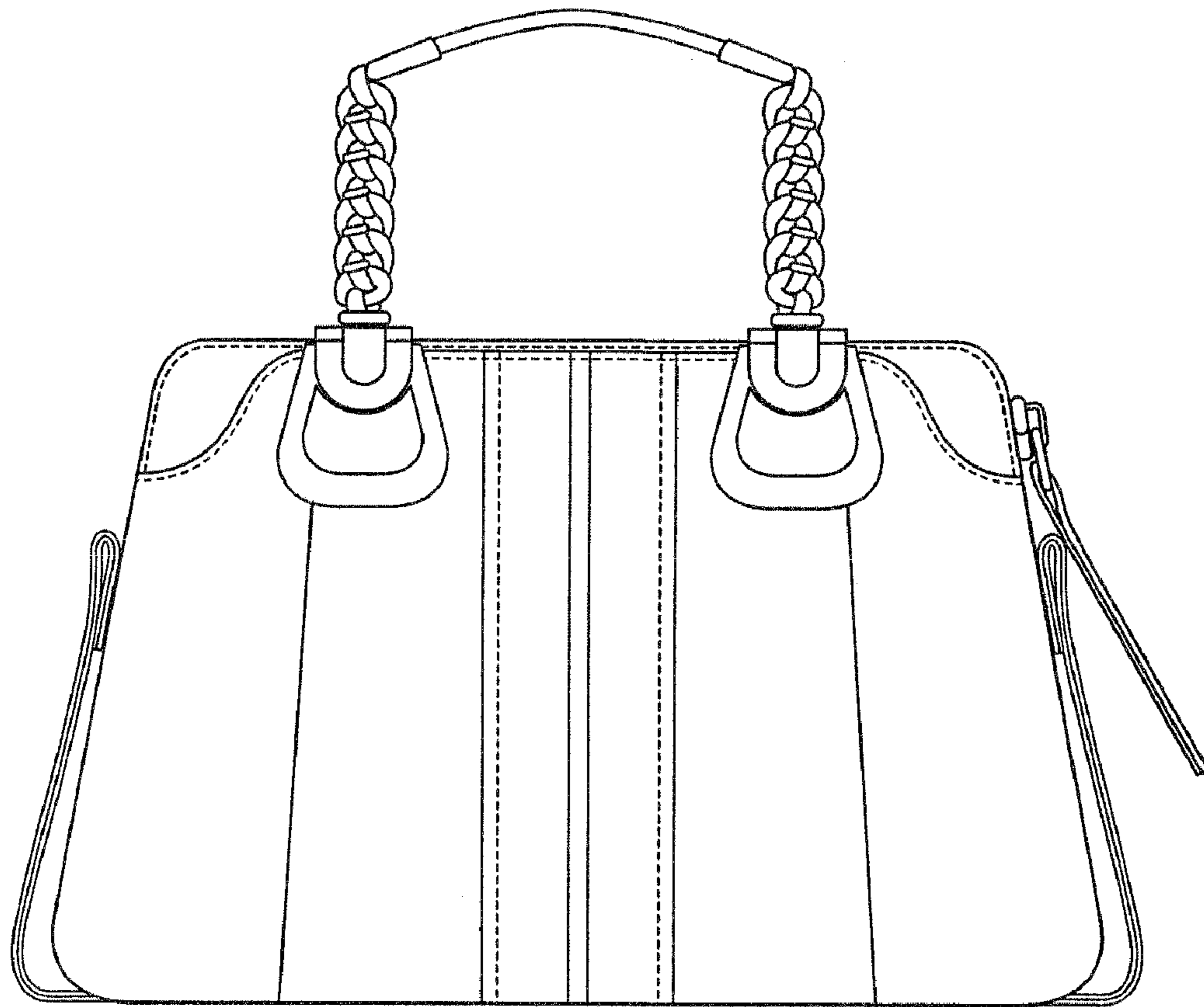


FIG. 1

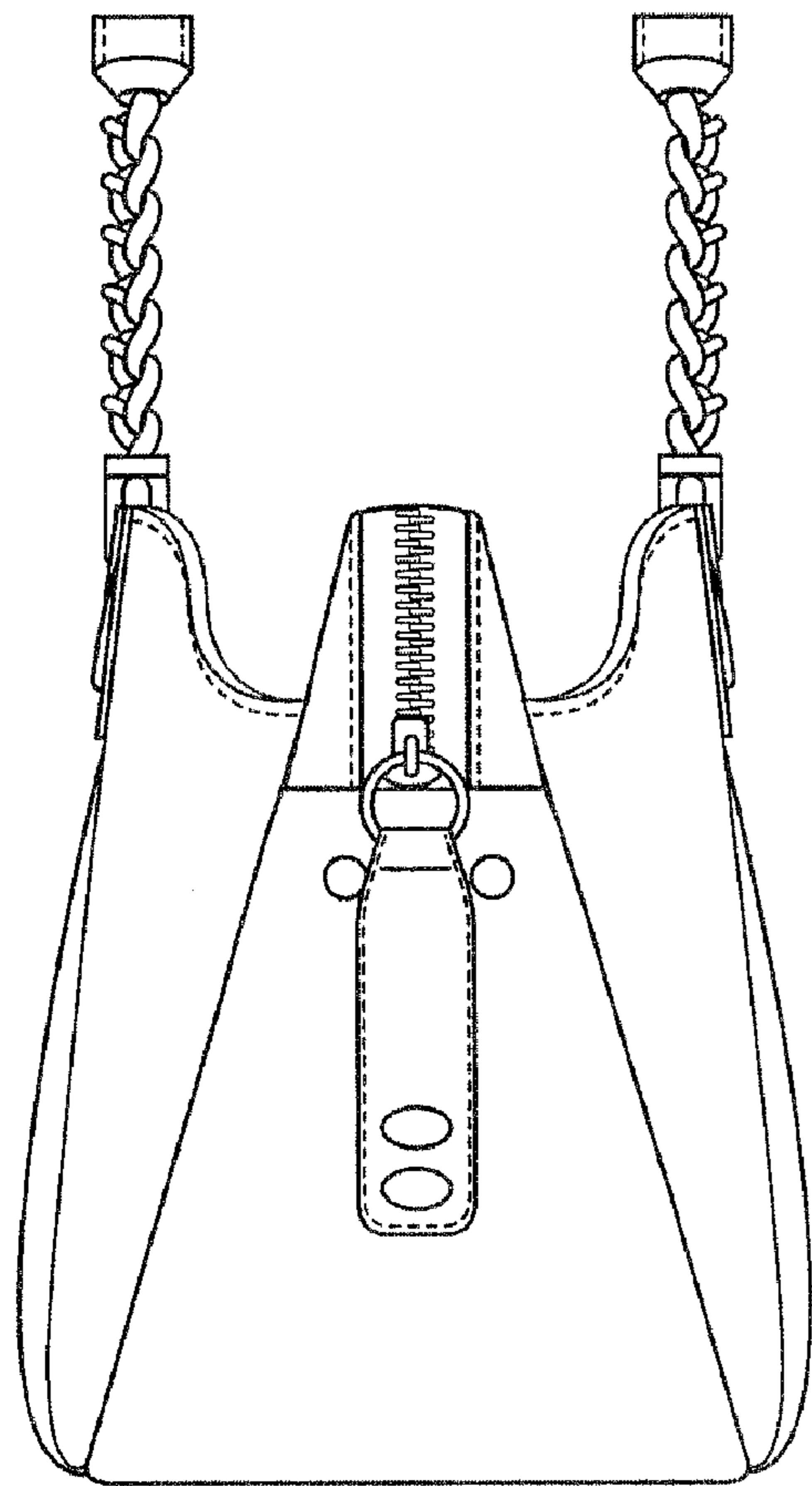


FIG. 2

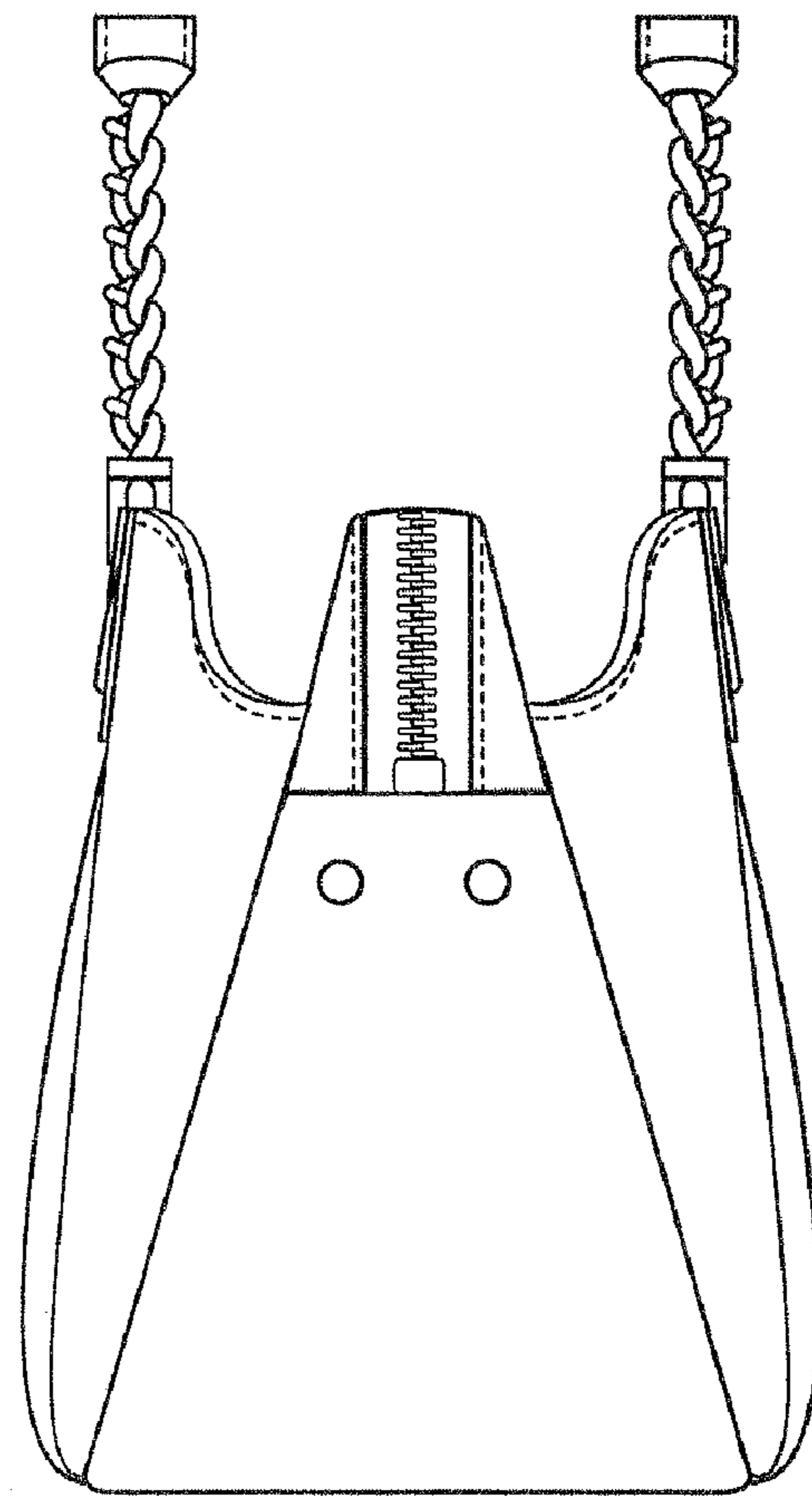


FIG. 3

FIG. 4

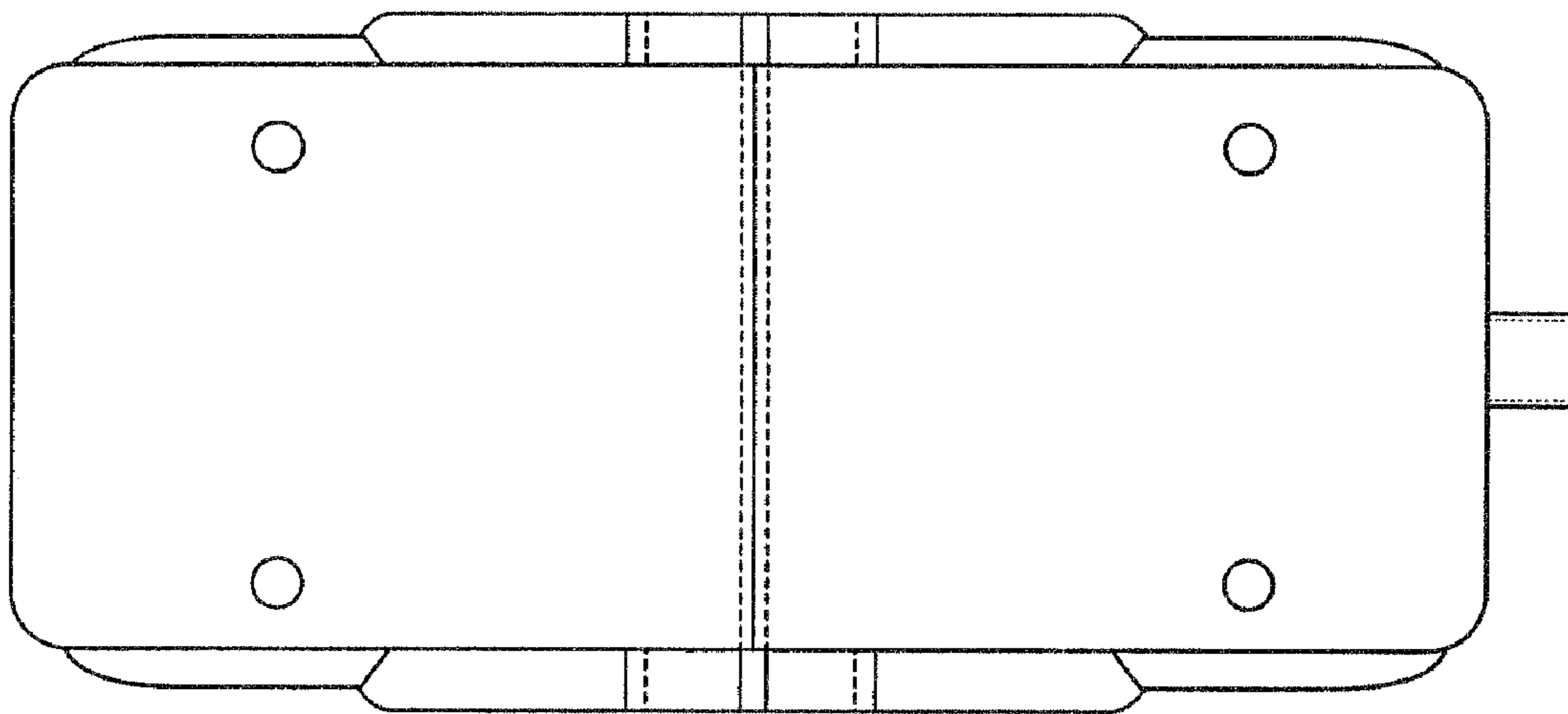
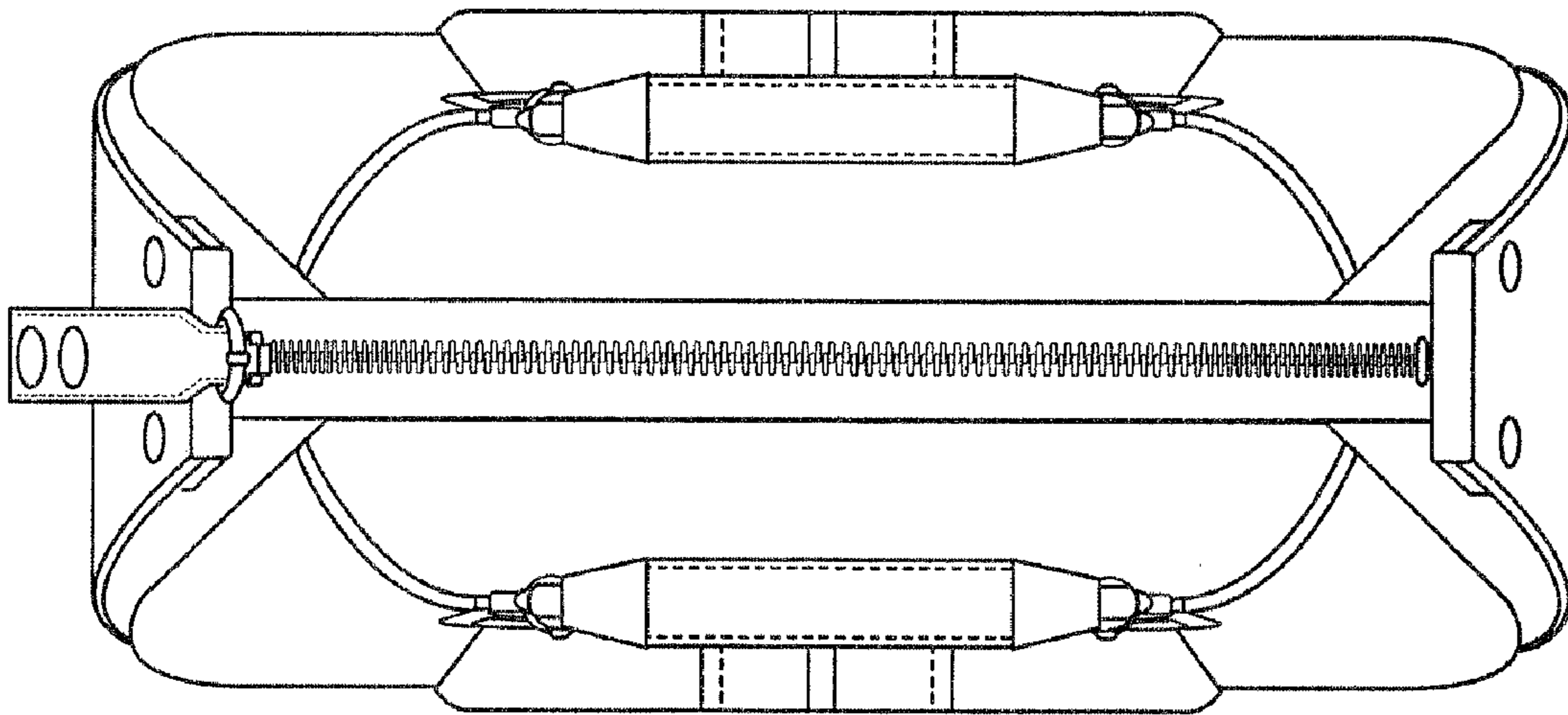


FIG. 5



FIG. 6