



US00D564227S

(12) **United States Design Patent**
Morelli

(10) **Patent No.:** **US D564,227 S**

(45) **Date of Patent:** **** Mar. 18, 2008**

(54) **HANDBAG**

(75) Inventor: **Giovanni Morelli**, Milan (IT)

(73) Assignee: **Chloe**, Paris (FR)

(**) Term: **14 Years**

(21) Appl. No.: **29/282,212**

(22) Filed: **Jul. 13, 2007**

(30) **Foreign Application Priority Data**

Jan. 15, 2007 (HK) 0700108

(51) **LOC (8) Cl.** **03-01**

(52) **U.S. Cl.** **D3/246**

(58) **Field of Classification Search** D3/231,
D3/232, 233, 234, 235, 237, 238, 239, 240,
D3/242, 243, 245, 246, 303; 150/100, 106,
150/107, 108, 110, 111, 112, 114, 115, 117,
150/118, 900; 190/100, 108, 109, 111, 112,
190/113, 115, 119, 121, 122, 123, 124, 125,
190/126, 127, 900, 901, 902, 903; 383/6,
383/12, 17, 18, 20, 21, 37, 38, 39, 40, 41,
383/42, 66, 78, 84, 98, 127

See application file for complete search history.

(56) **References Cited**

U.S. PATENT DOCUMENTS

D101,705 S * 10/1936 Lewis D3/243

D324,136 S * 2/1992 Lee D3/231
D522,238 S * 6/2006 Stulman D3/243
7,150,345 B2 * 12/2006 Redzisz 190/111
D535,475 S * 1/2007 Delafontaine D3/246
D547,060 S * 7/2007 Delafontaine D3/233

* cited by examiner

Primary Examiner—Gary D. Watson

Assistant Examiner—Monica A Weingart

(74) *Attorney, Agent, or Firm*—Young & Thompson

(57) **CLAIM**

The ornamental design for a handbag, as shown and described.

DESCRIPTION

FIG. 1 is front elevational view of a handbag showing my new design;

FIG. 2 is a left side elevational view thereof;

FIG. 3 is a right side elevational view thereof;

FIG. 4 a top plan view thereof;

FIG. 5 is as bottom plan view thereof; and,

FIG. 6 is a rear elevational view thereof.

1 Claim, 4 Drawing Sheets

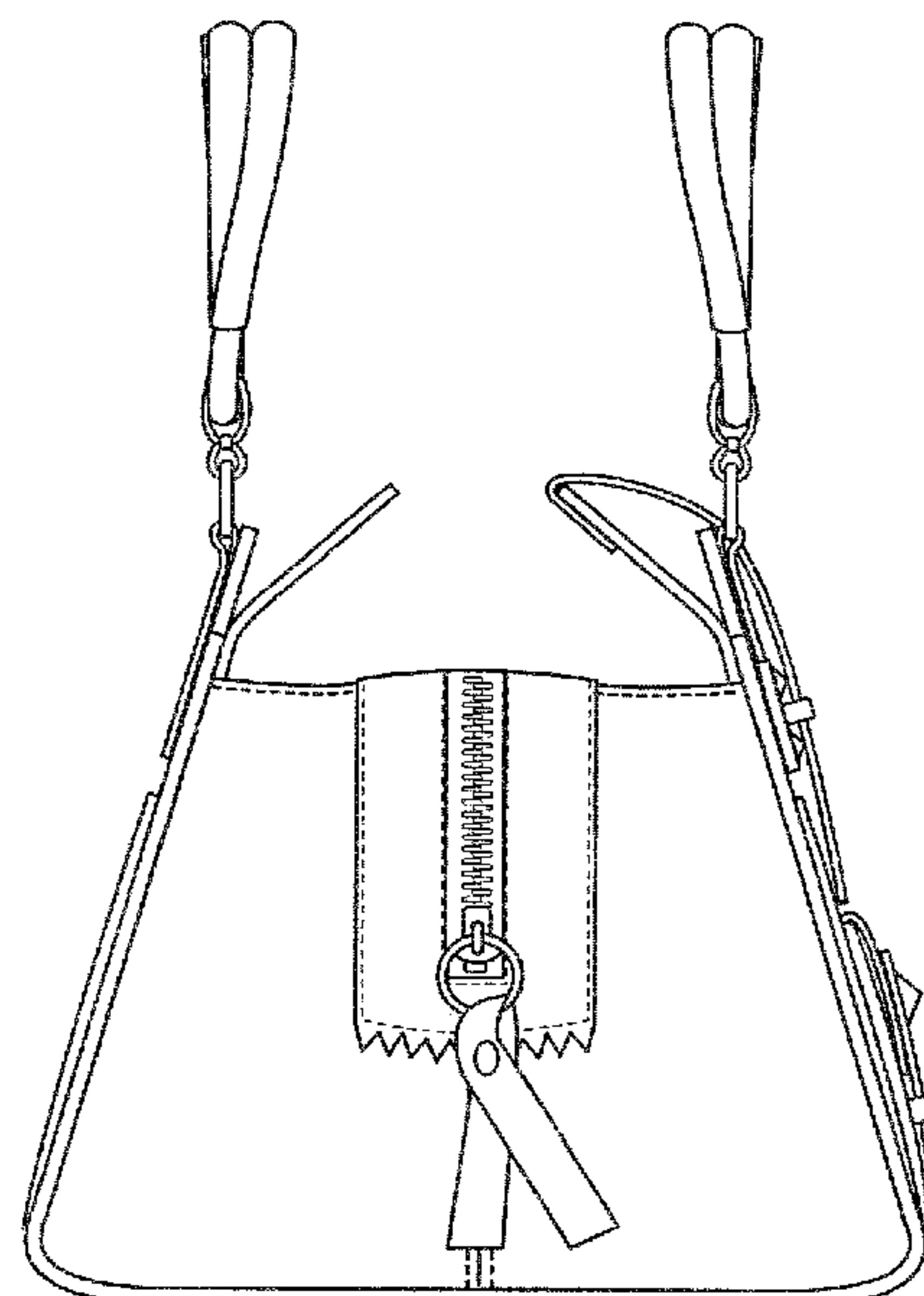




FIG. 1

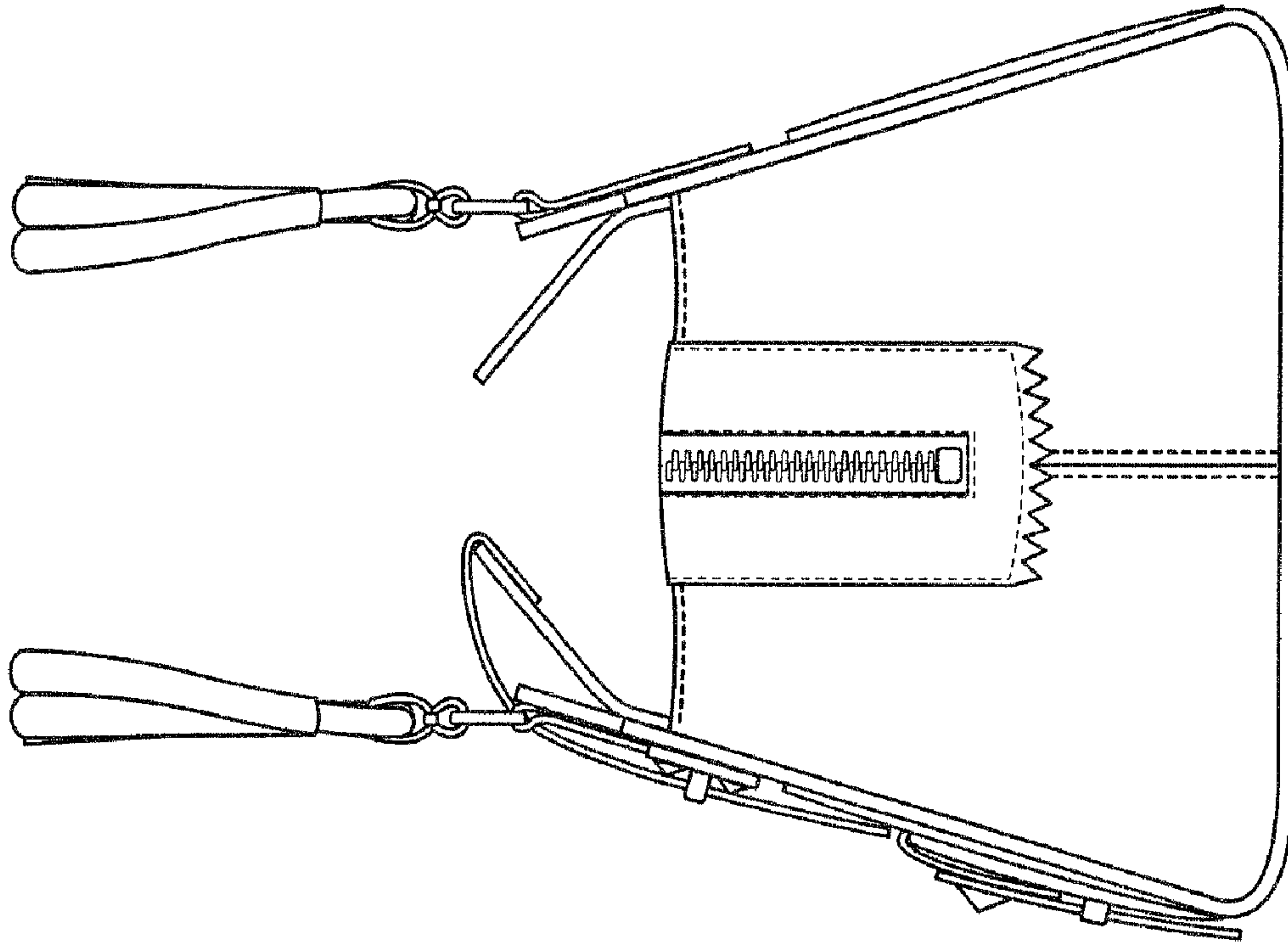


FIG. 3

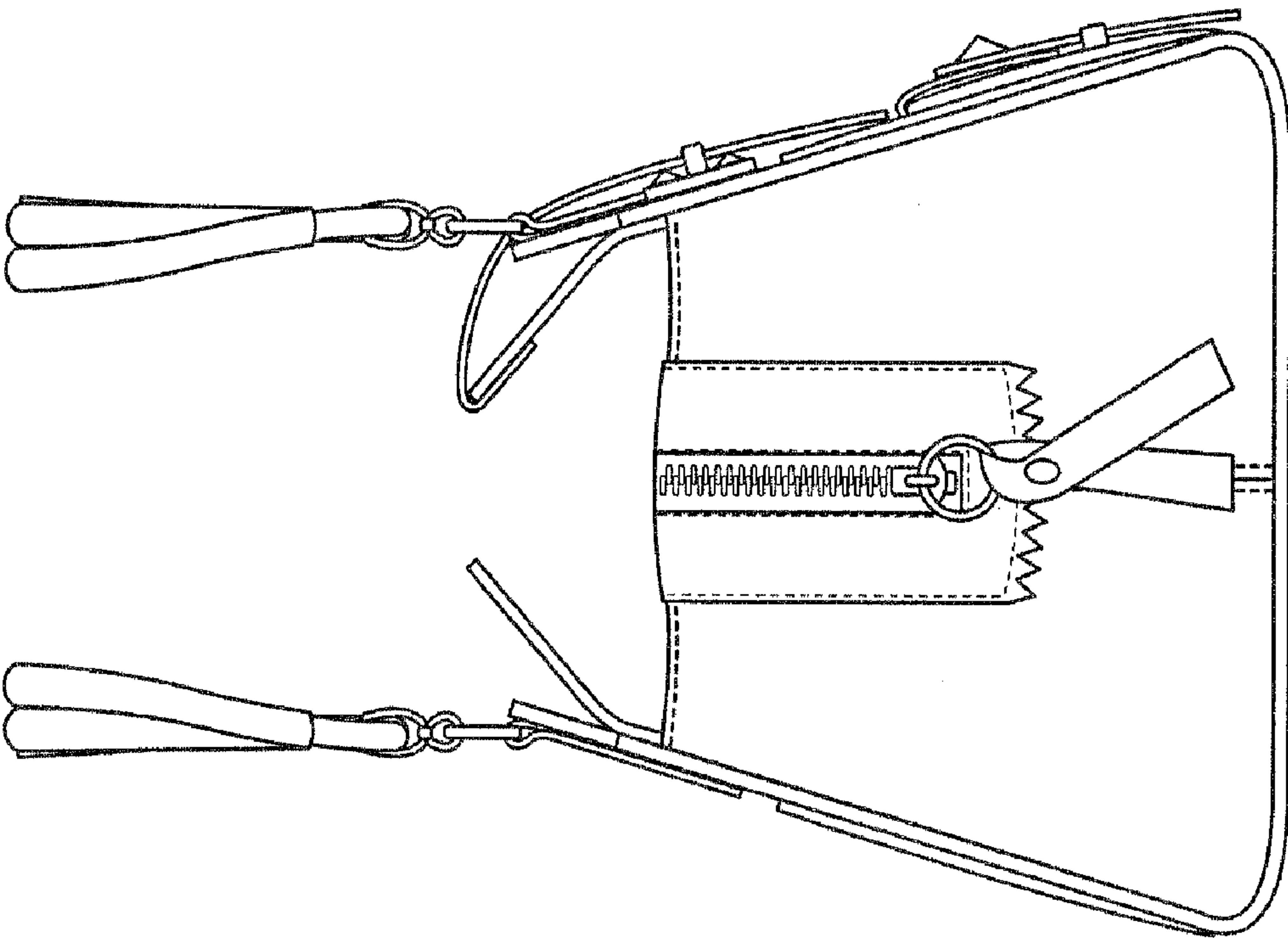


FIG. 2

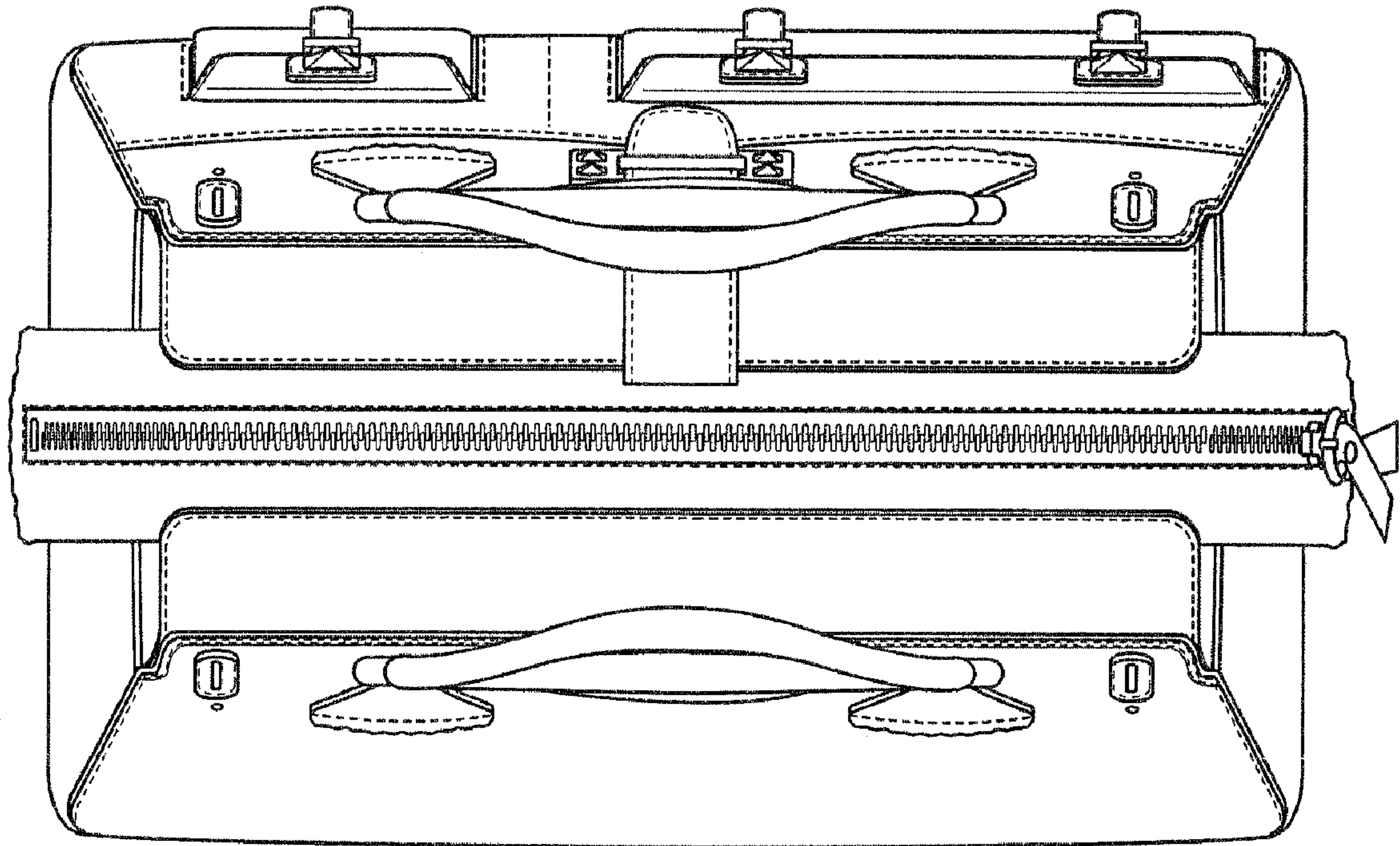


FIG. 4

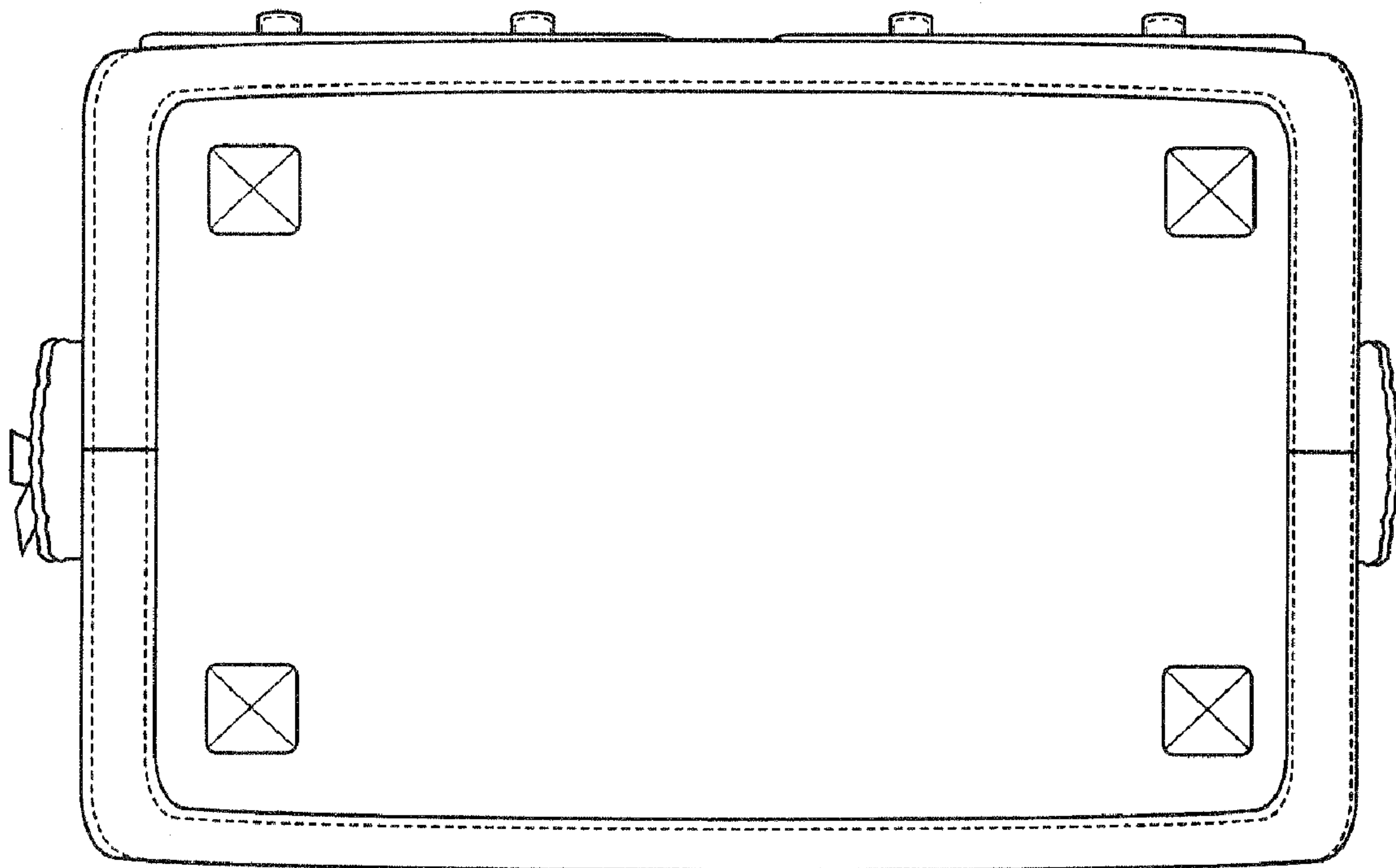


FIG. 5



FIG. 6