



US00D564222S

(12) **United States Design Patent**
Slavov

(10) **Patent No.:** **US D564,222 S**
(45) **Date of Patent:** **** Mar. 18, 2008**

(54) **CAULK GUN BELT HOLDER**

(76) Inventor: **Svetoslav Petrov Slavov**, 4018 Ditmas Ct., Virginia Beach, VA (US) 23452

(**) Term: **14 Years**

(21) Appl. No.: **29/268,774**

(22) Filed: **Nov. 14, 2006**

(51) **LOC (8) Cl.** **03-01**

(52) **U.S. Cl.** **D3/228**

(58) **Field of Classification Search** D3/215,
D3/221, 224, 226, 228; D8/373; 248/302;
224/197, 248, 252, 253, 268, 269, 270, 667,
224/904

See application file for complete search history.

(56) **References Cited**

U.S. PATENT DOCUMENTS

1,326,887	A *	12/1919	Wood	24/3.1
D240,370	S *	7/1976	Kuehl	D3/228
4,809,894	A *	3/1989	Viio	224/248
4,936,499	A *	6/1990	Gulley	224/669
5,176,302	A *	1/1993	Smith	224/672
D370,340	S *	6/1996	Berger	D3/221
D374,604	S *	10/1996	Hnatowicz et al.	D8/373

5,944,242	A *	8/1999	Musarella et al.	224/667
2002/0088911	A1 *	7/2002	Kao	248/302
2004/0178240	A1 *	9/2004	Bauer	224/268
2005/0011919	A1 *	1/2005	Durham	224/248

* cited by examiner

Primary Examiner—Stella M. Reid

Assistant Examiner—Kathleen Sims

(74) *Attorney, Agent, or Firm*—William G. Sykes

(57) **CLAIM**

The ornamental design for a caulk gun belt holder, as shown.

DESCRIPTION

FIG. 1 is a front right isometric view of a caulk gun belt holder showing my new design;

FIG. 2 is a front view thereof;

FIG. 3 is a top plan view thereof;

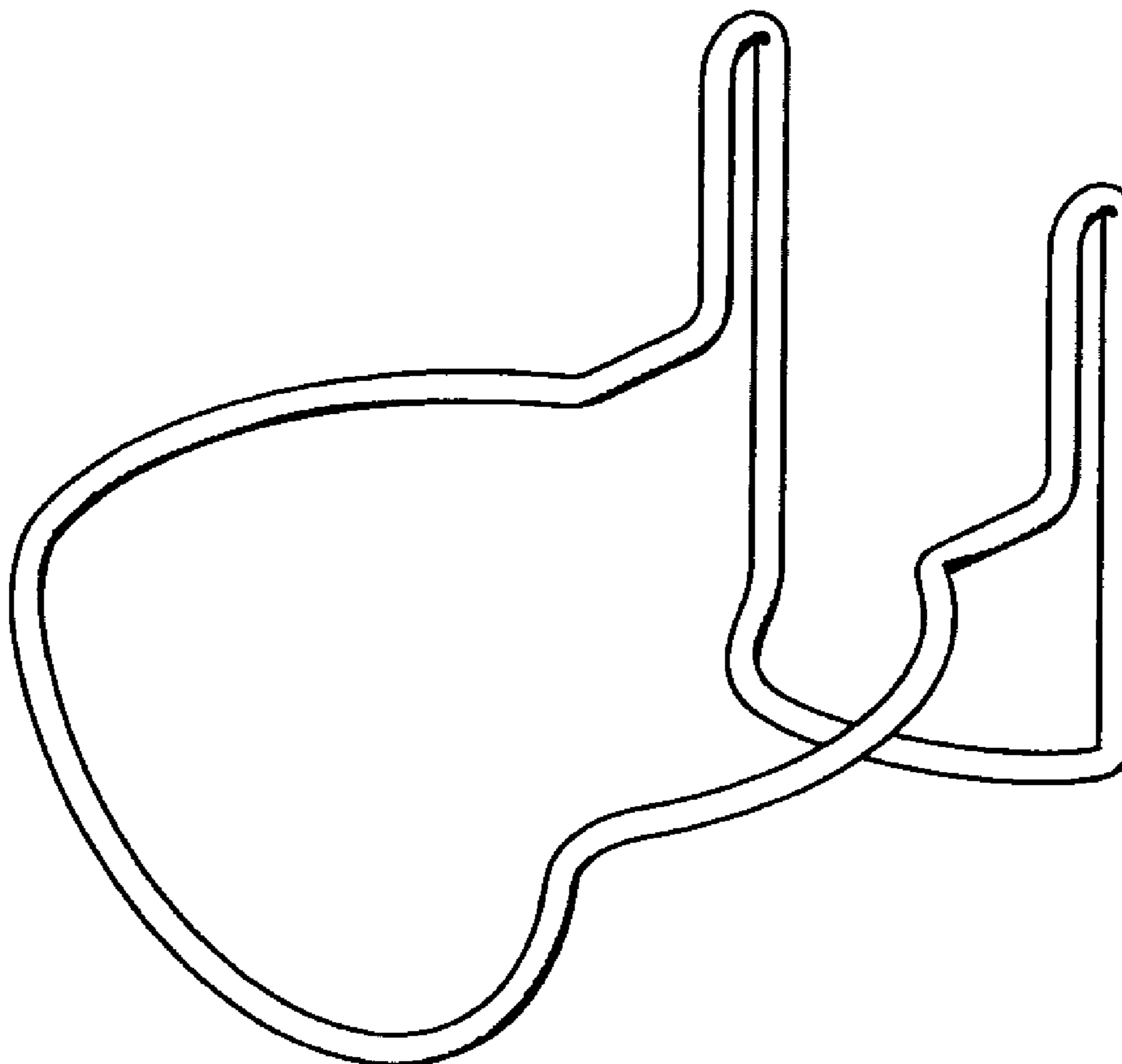
FIG. 4 is a bottom plan view thereof;

FIG. 5 is a right side view thereof;

FIG. 6 is a left side view thereof; and,

FIG. 7 is a back view thereof.

1 Claim, 7 Drawing Sheets



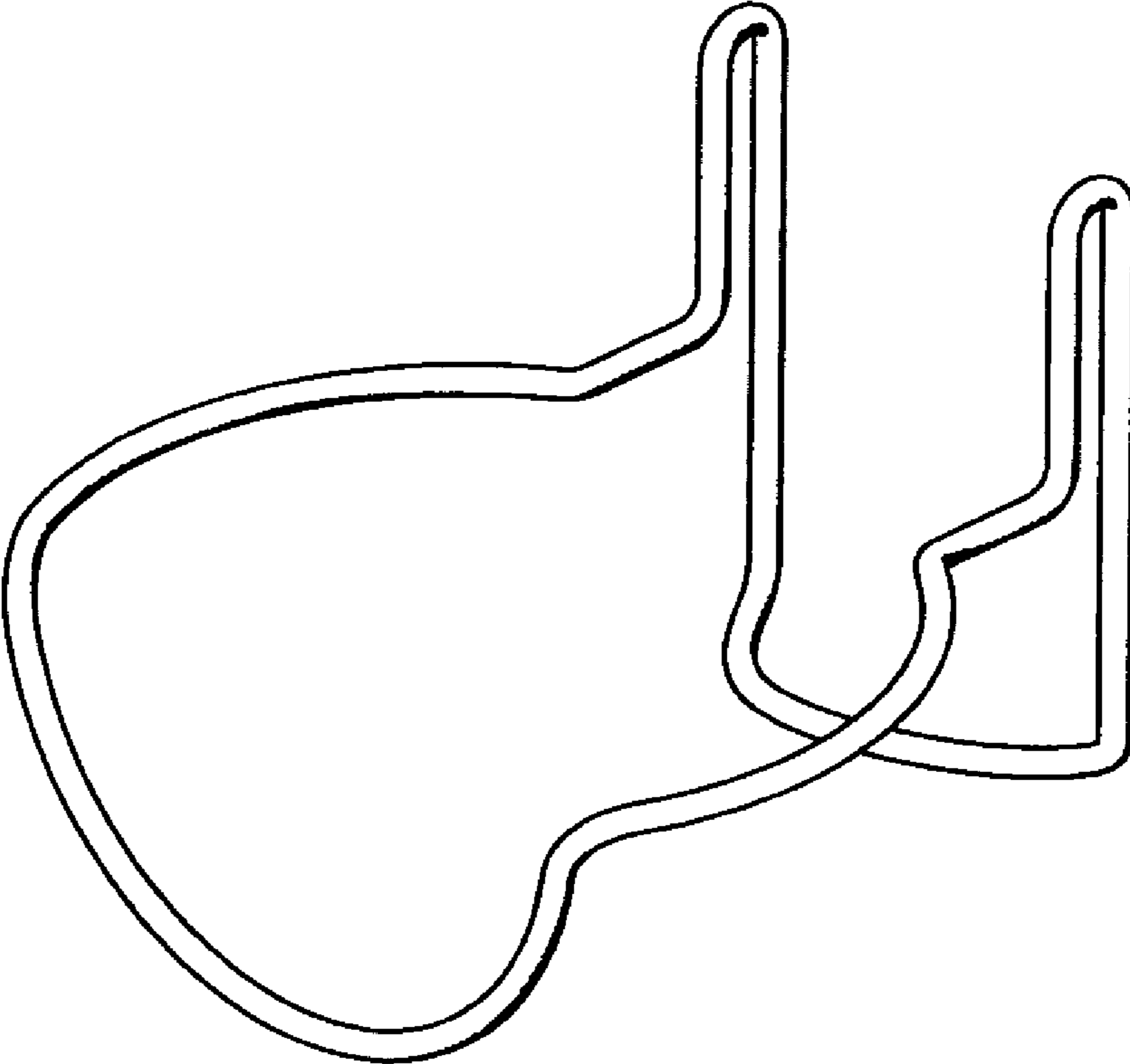


FIGURE 1

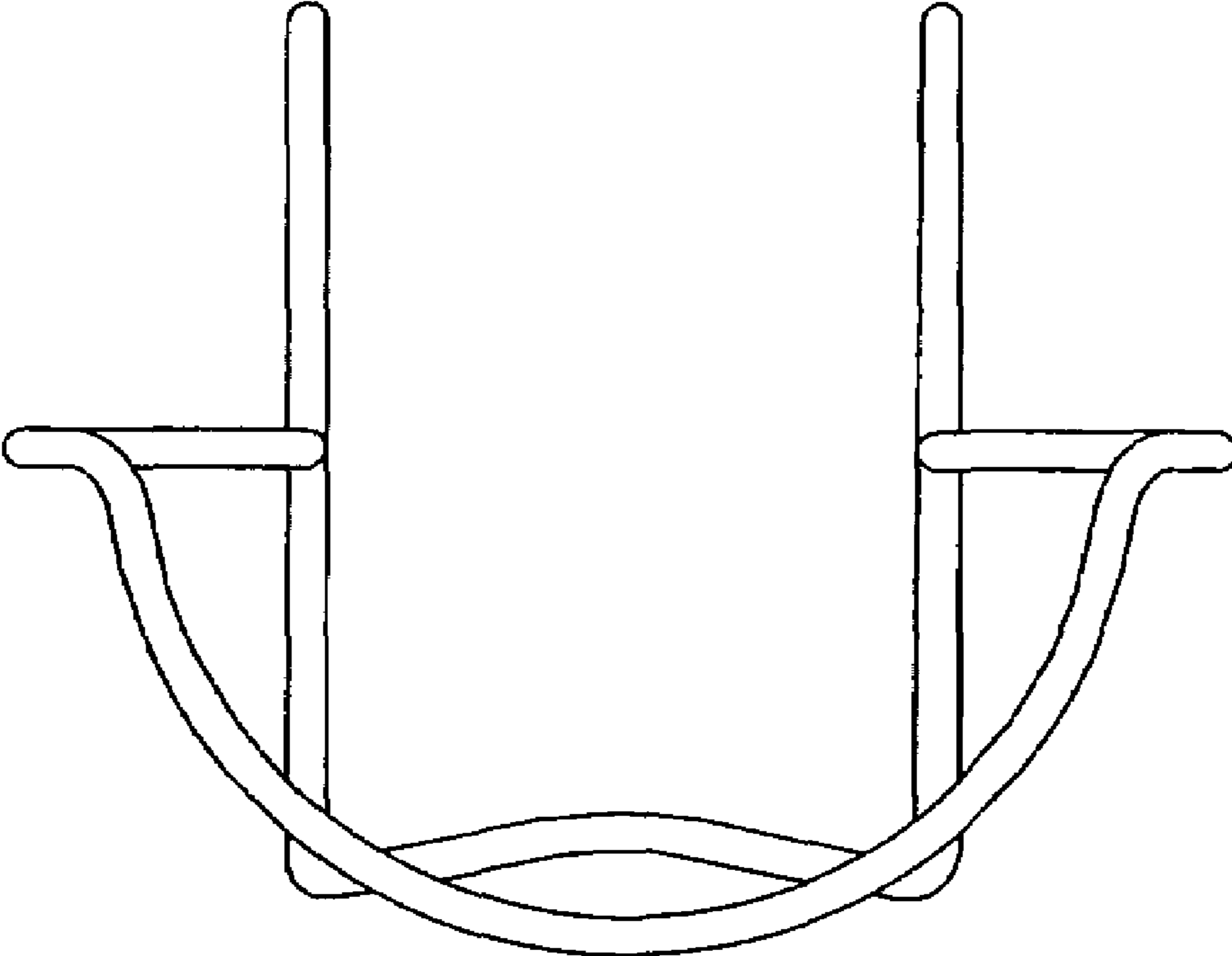


FIGURE 2

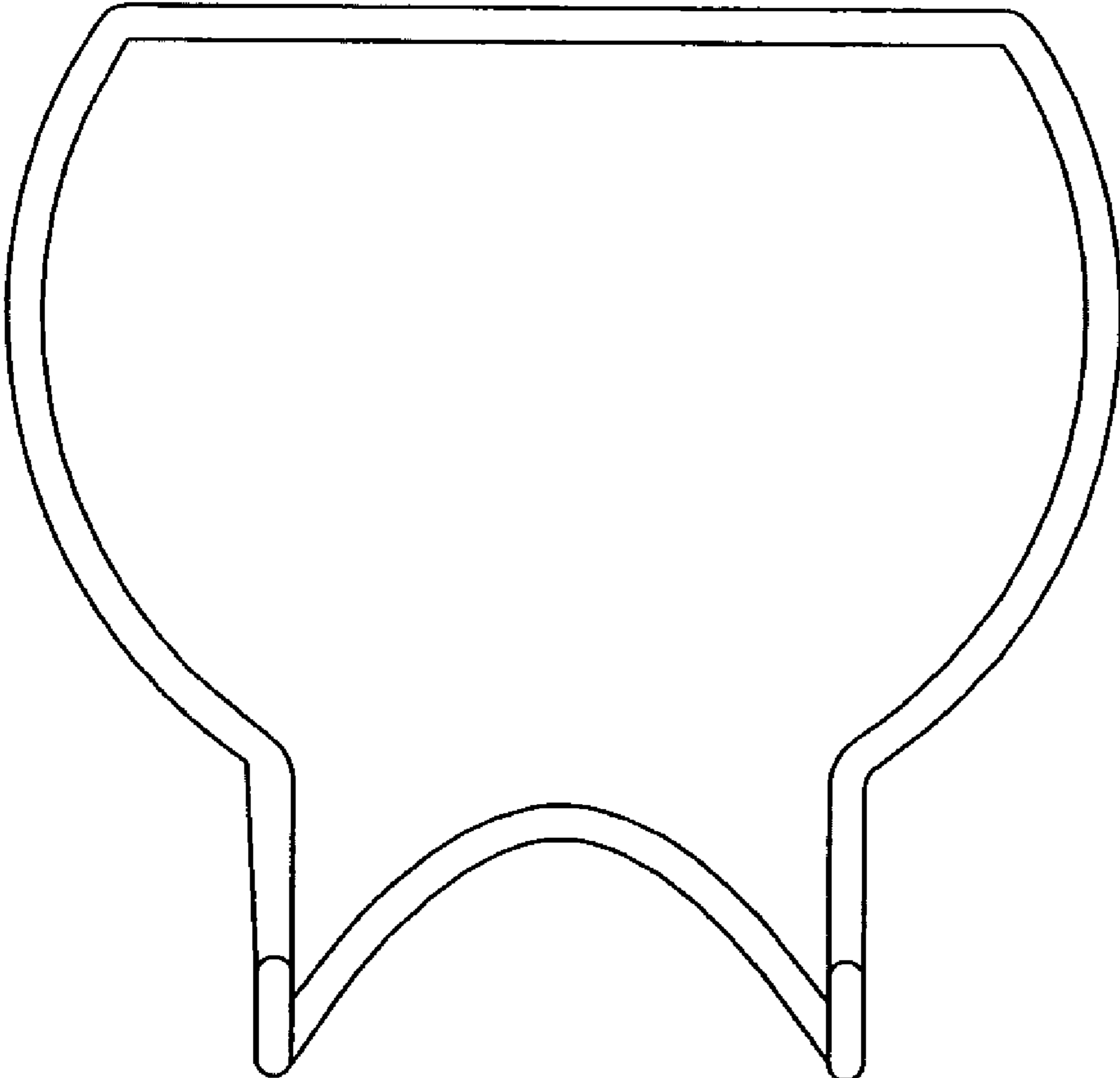


FIGURE 3

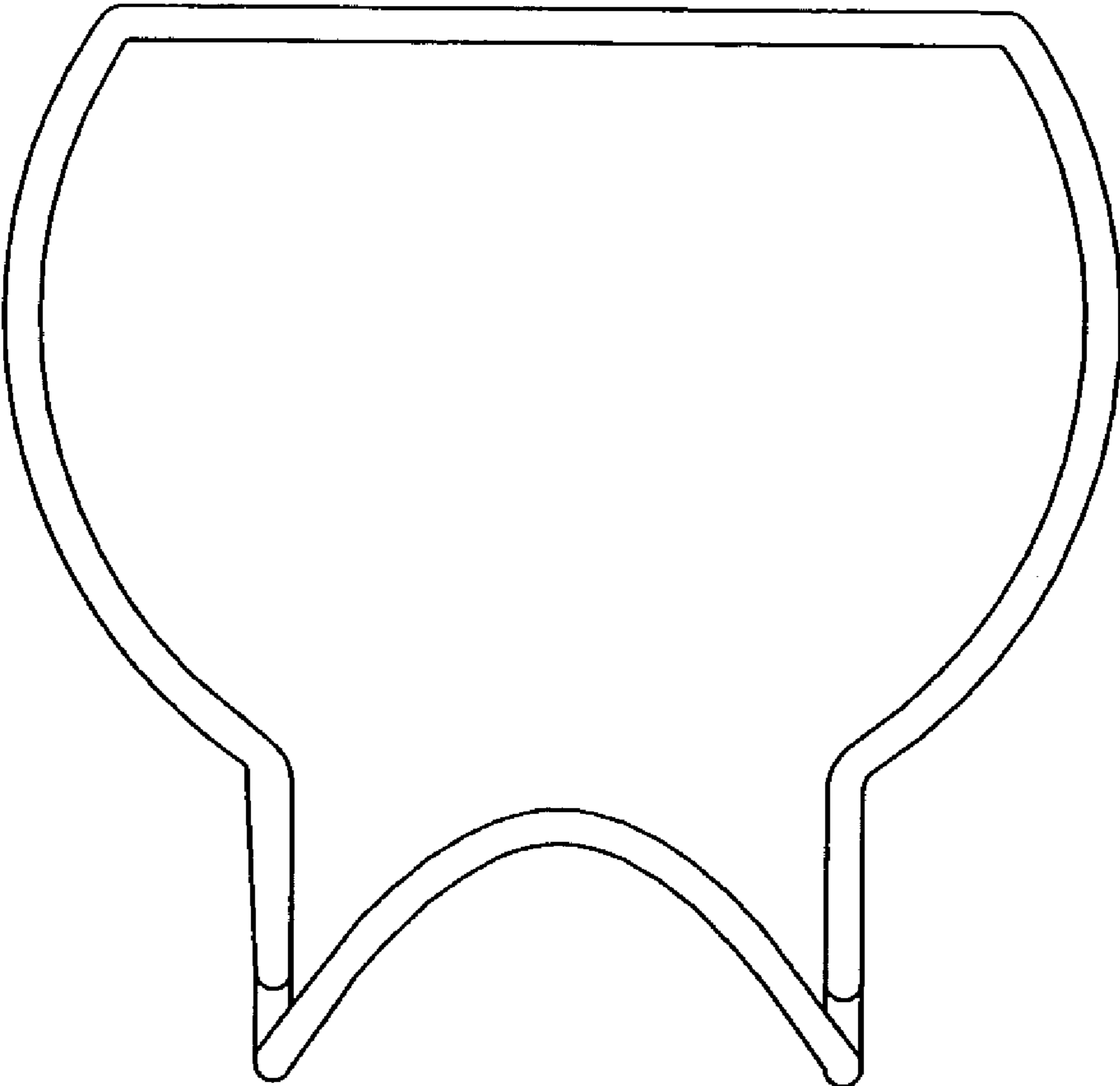


FIGURE 4

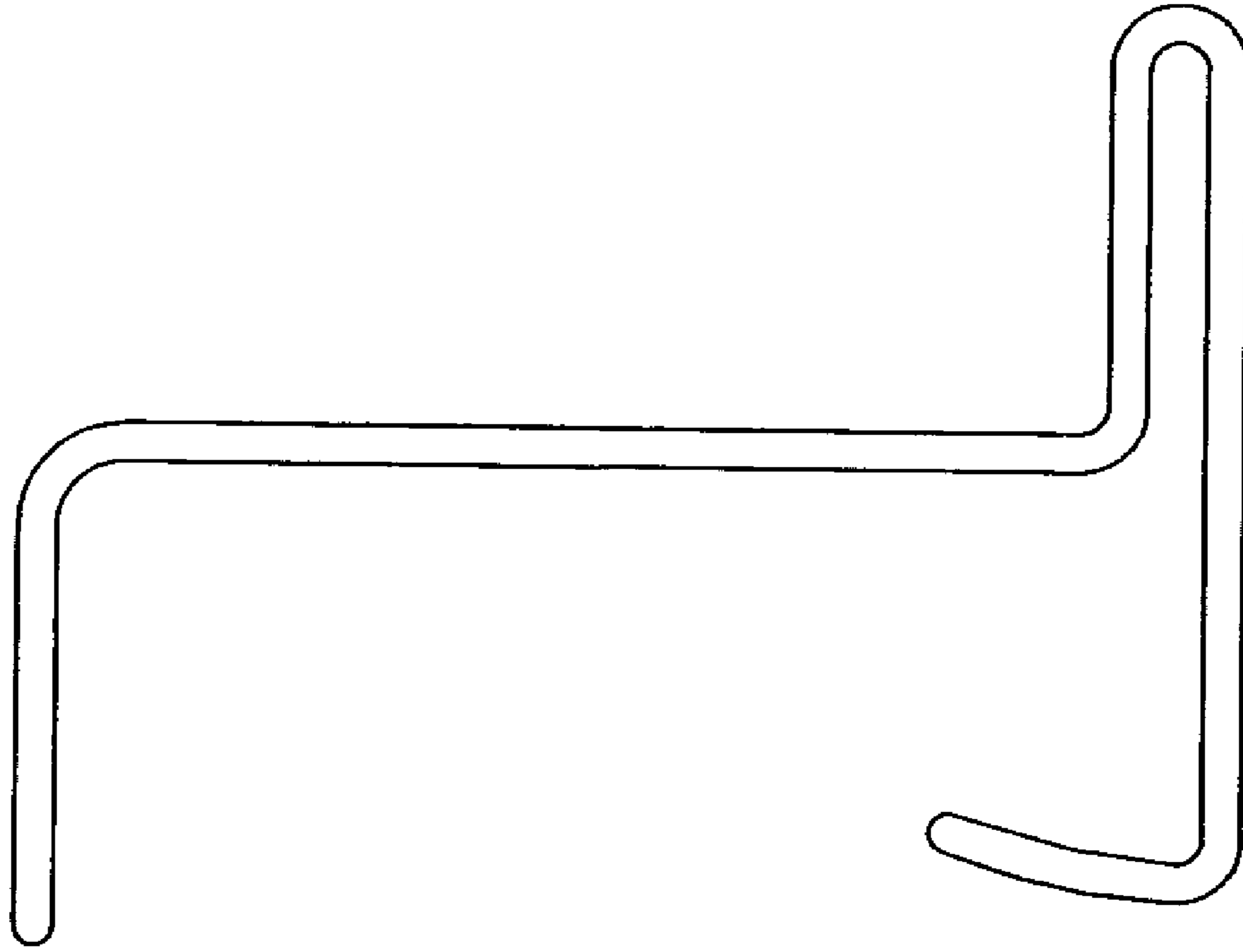


FIGURE 5

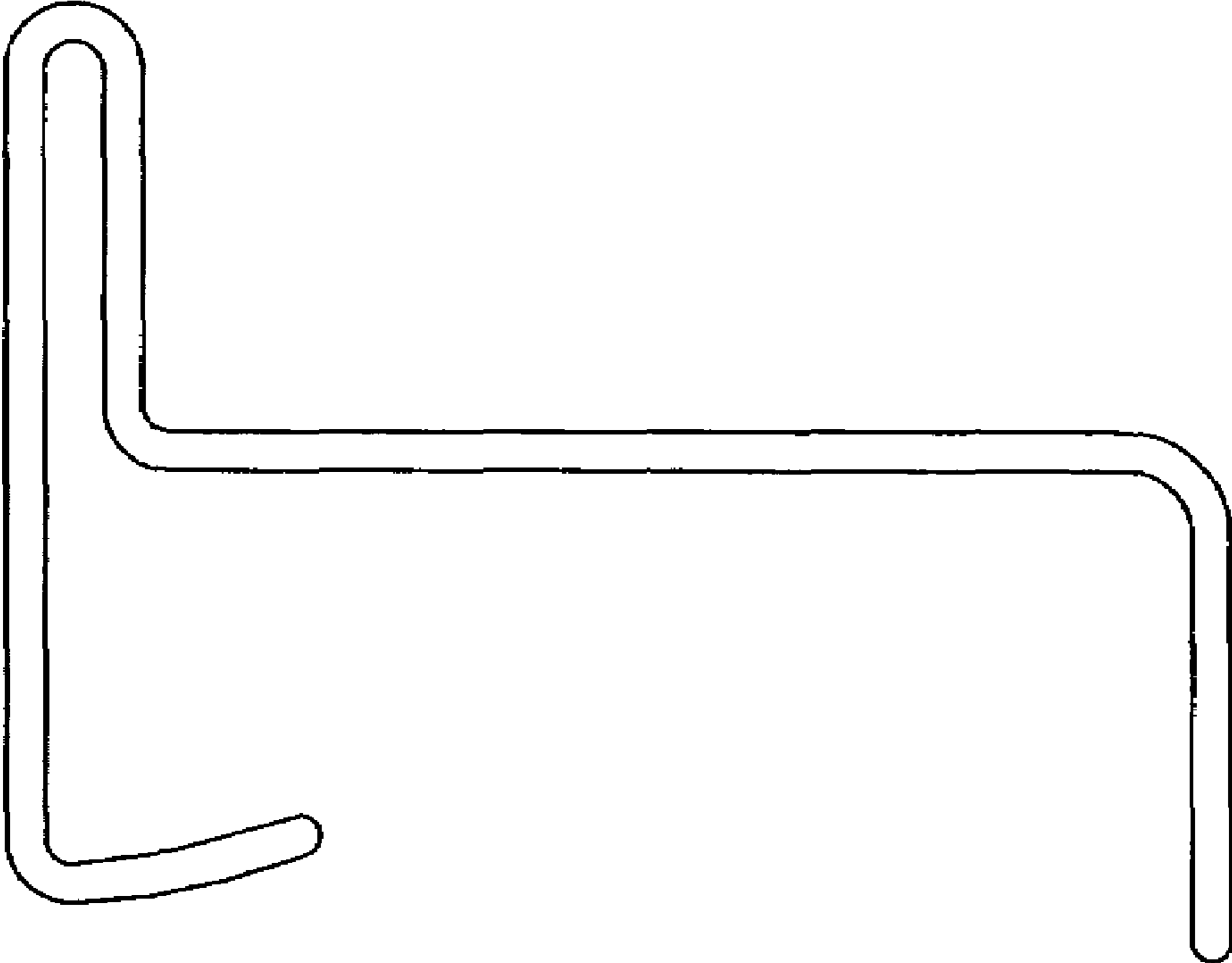


FIGURE 6

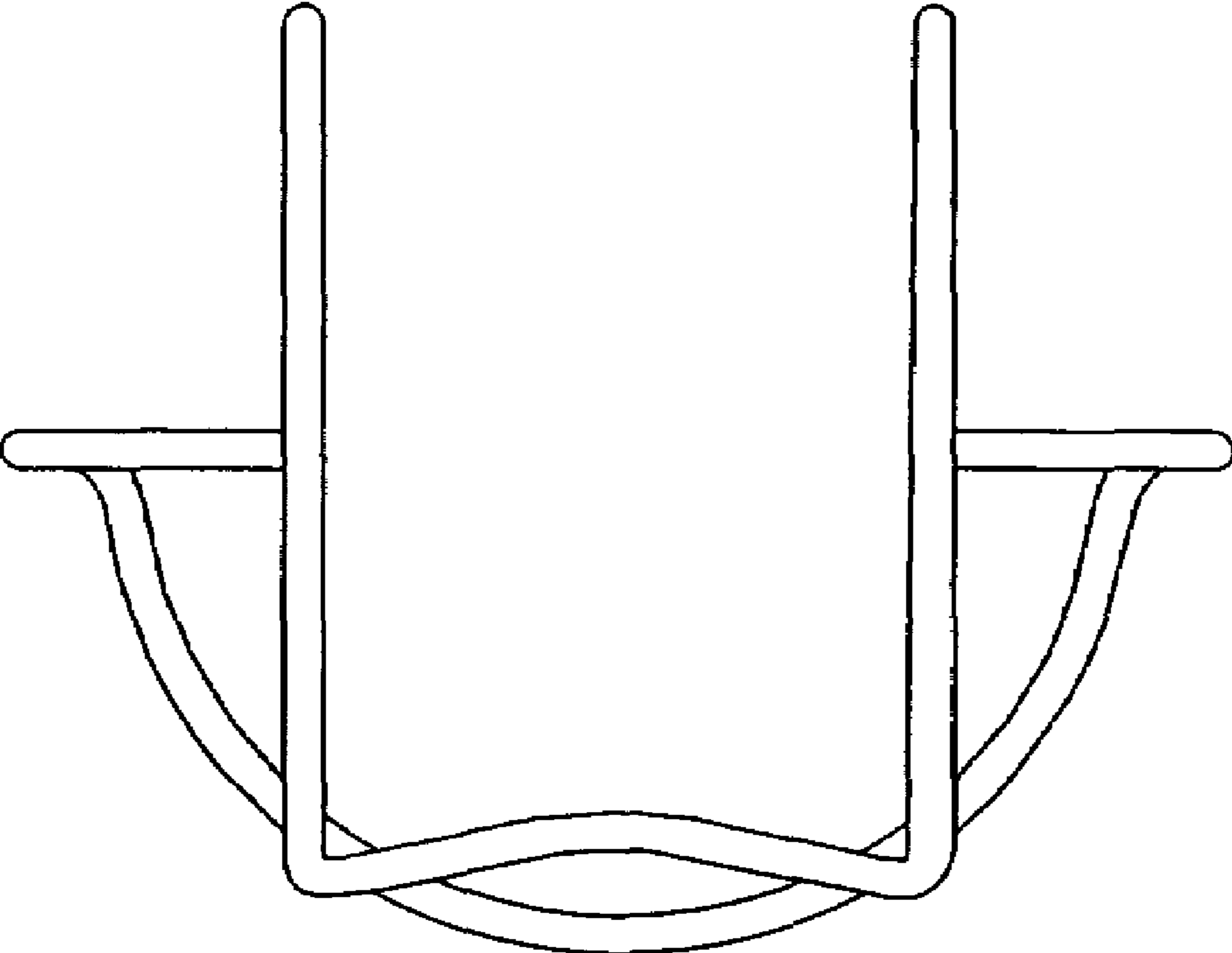


FIGURE 7