



US00D564219S

(12) **United States Design Patent**
Bagus

(10) **Patent No.:** **US D564,219 S**

(45) **Date of Patent:** **** Mar. 18, 2008**

(54) **TRAVEL KIT**

(76) **Inventor:** **Kenneth Allen Bagus**, 880 S. Franklin St., Denver, CO (US) 80209

(**) **Term:** **14 Years**

(21) **Appl. No.:** **29/282,939**

(22) **Filed:** **Aug. 1, 2007**

(51) **LOC (8) Cl.** **03-01**

(52) **U.S. Cl.** **D3/205**

(58) **Field of Classification Search** D3/201,
D3/205; D9/749; D28/47, 73, 83; 190/109,
190/901; 132/73, 311, 314, 315; 206/228,
206/581, 759, 804, 864

See application file for complete search history.

(56) **References Cited**

U.S. PATENT DOCUMENTS

| | | | | | |
|--------------|------|---------|-----------------|-------|---------|
| 1,790,122 | A * | 1/1931 | Tourtois | | 132/314 |
| 5,358,101 | A * | 10/1994 | Lombardi | | 206/581 |
| 5,441,153 | A * | 8/1995 | Lahaye | | 206/581 |
| D379,013 | S * | 4/1997 | Shih | | D28/73 |
| 6,920,974 | B2 * | 7/2005 | Reynolds et al. | | 206/804 |
| 2003/0131868 | A1 * | 7/2003 | Stanley, III | | 206/581 |

* cited by examiner

Primary Examiner—Louis S. Zarfes

Assistant Examiner—Monica A Weingart

(74) *Attorney, Agent, or Firm*—Lee G. Meyer, Esq.; Meyer & Assoc., LLC

(57) **CLAIM**

The design for a travel kit, as shown and described.

DESCRIPTION

The claimed travel kit is used as a transparent, sealable receptacle for the included containers of specific configuration and volumetric capacity.

FIG. 1 is a perspective view of the travel kit showing my new design.

FIG. 2 is a front view of the travel kit.

FIG. 3 is a back view of the travel kit.

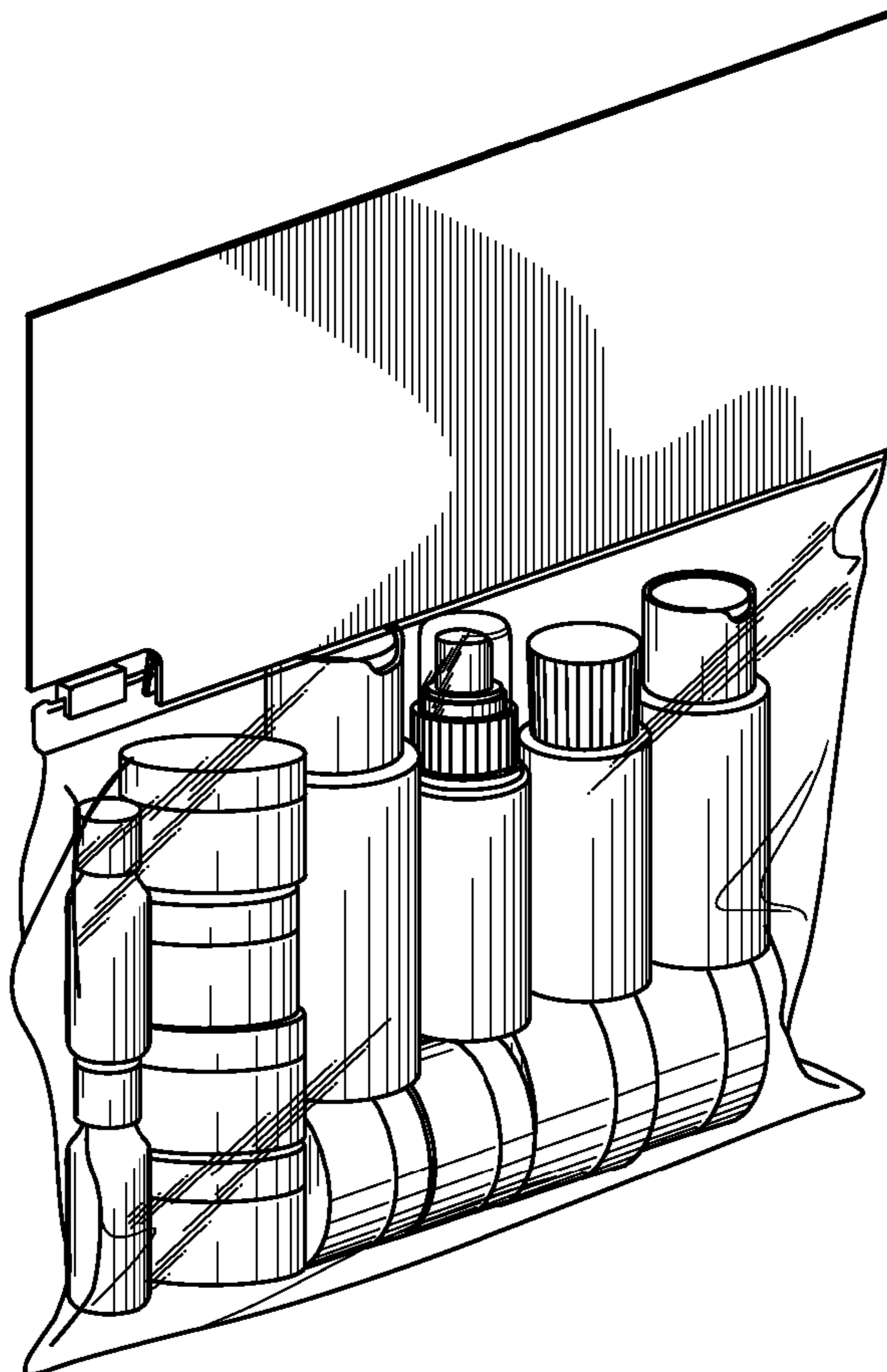
FIG. 4 is a left side view of the travel kit.

FIG. 5 is a right side view of the travel kit.

FIG. 6 is a top view of the travel kit; and,

FIG. 7 is a bottom view of the travel kit.

1 Claim, 3 Drawing Sheets



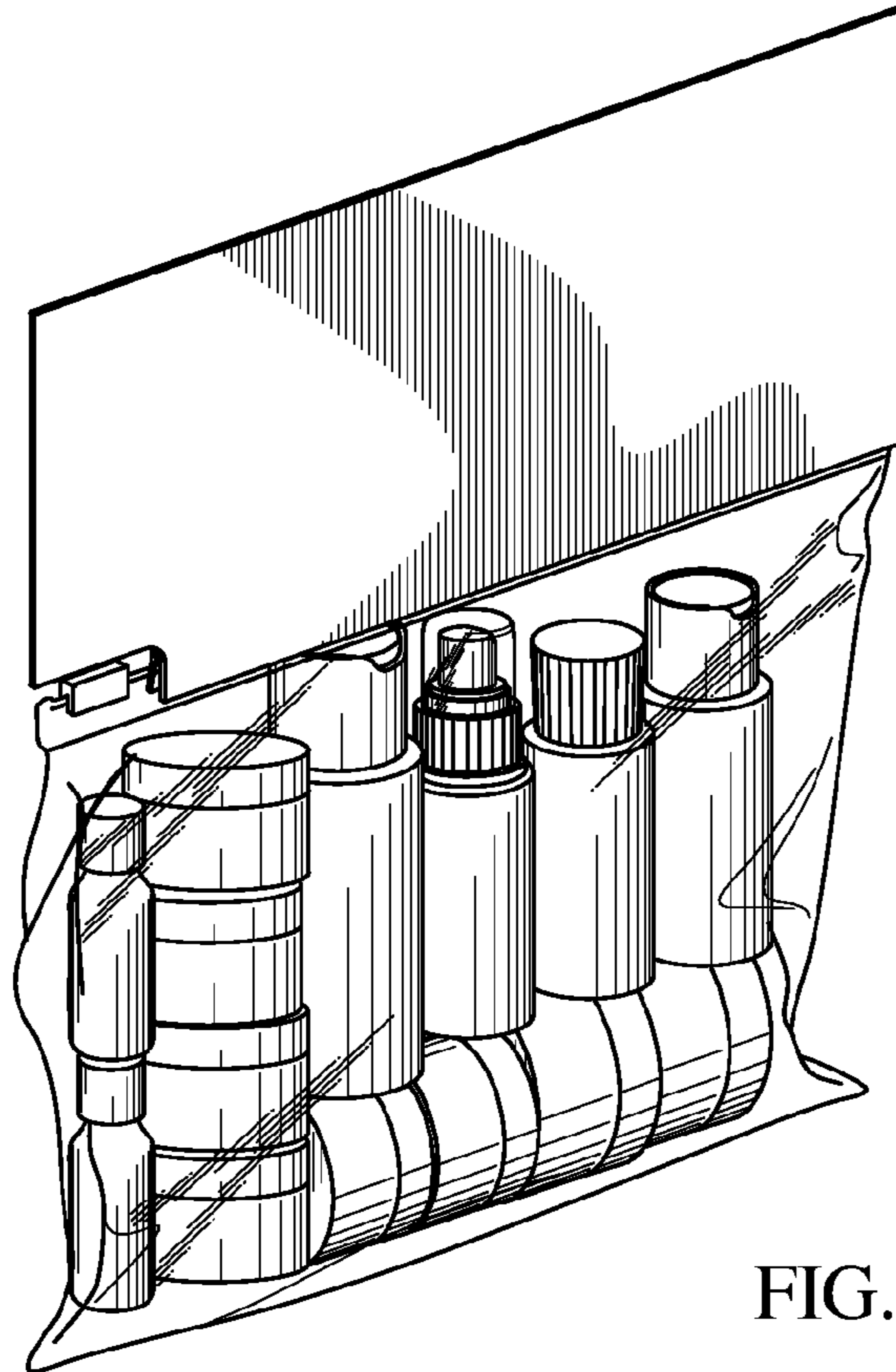


FIG. 1

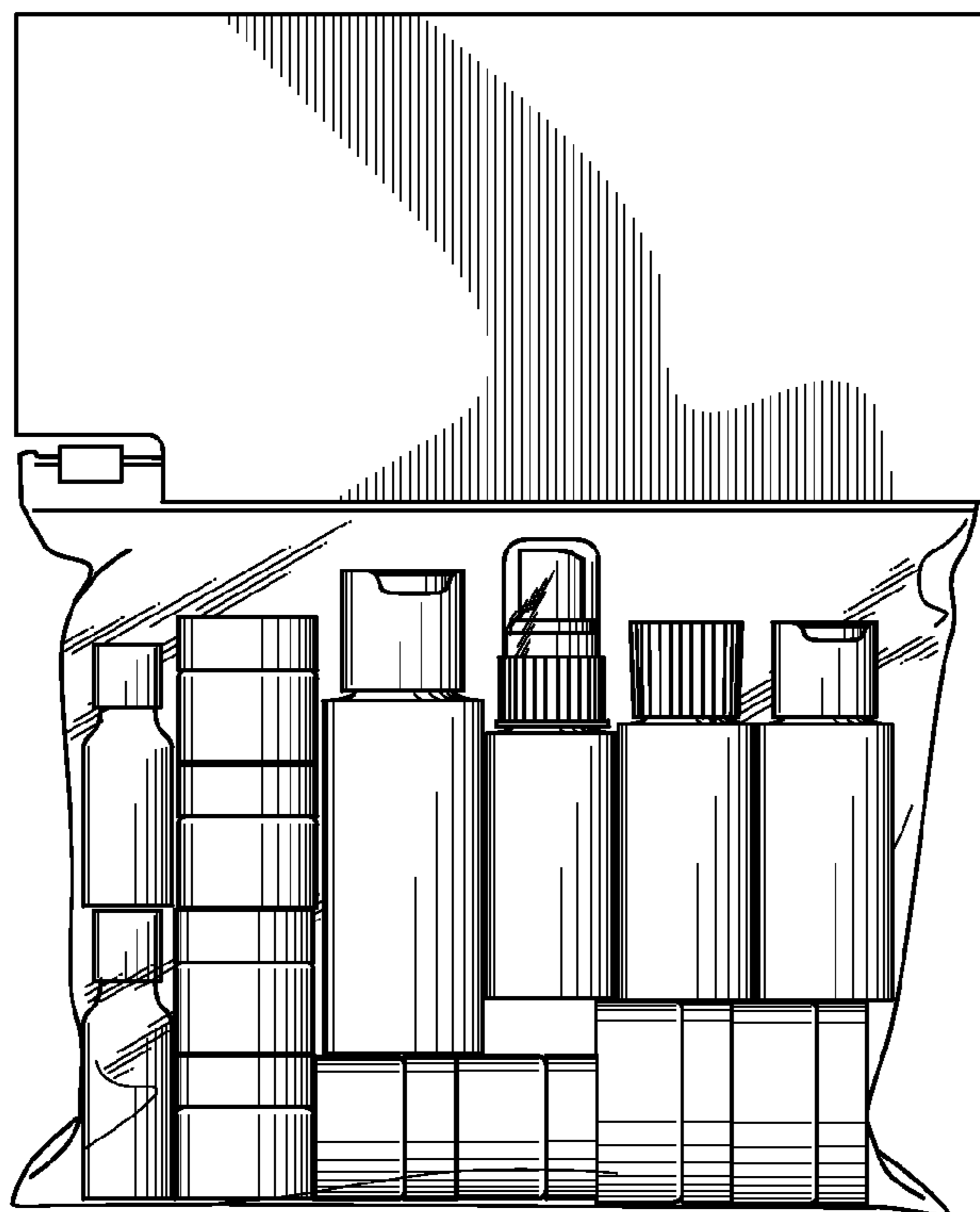


FIG. 2

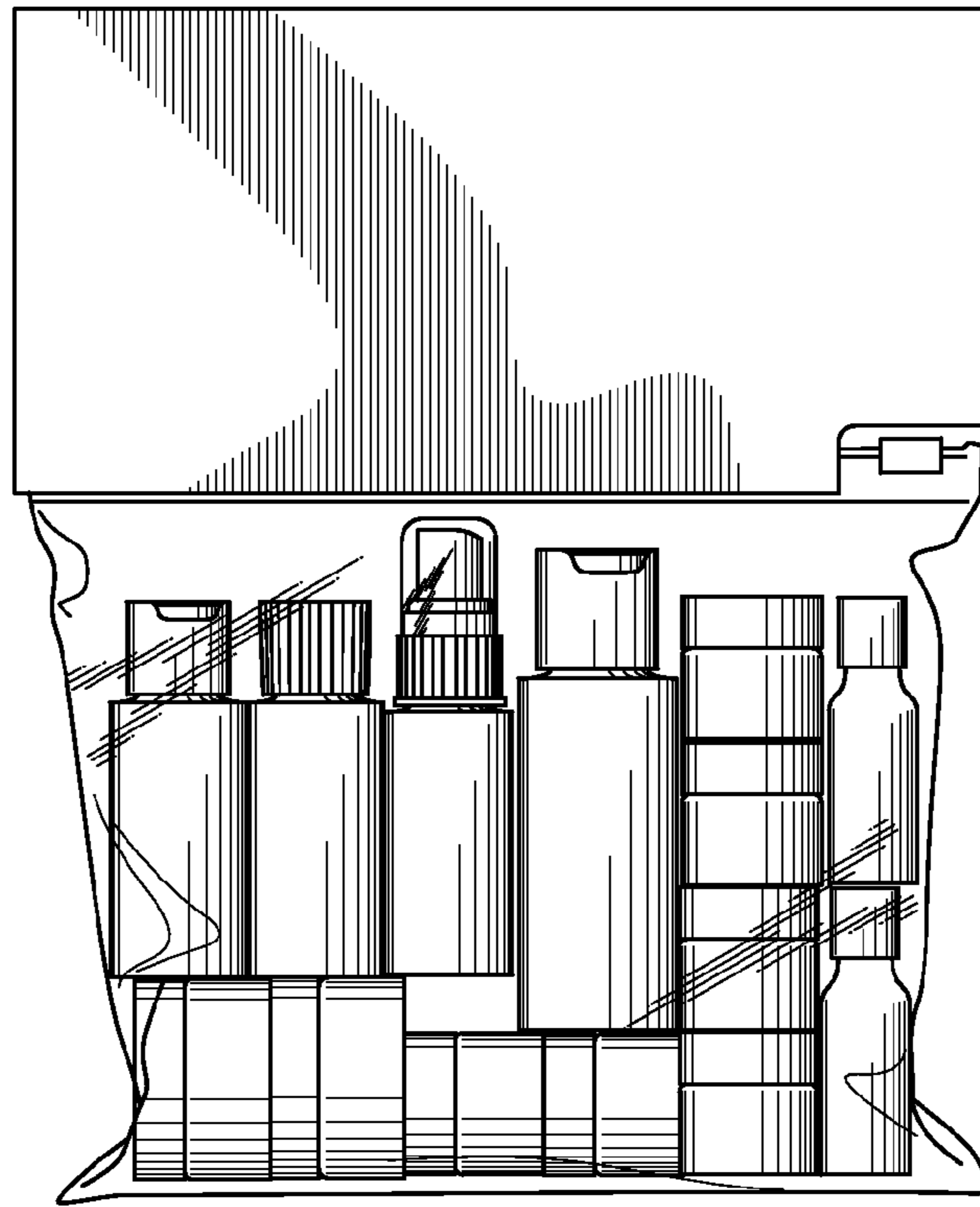


FIG. 3

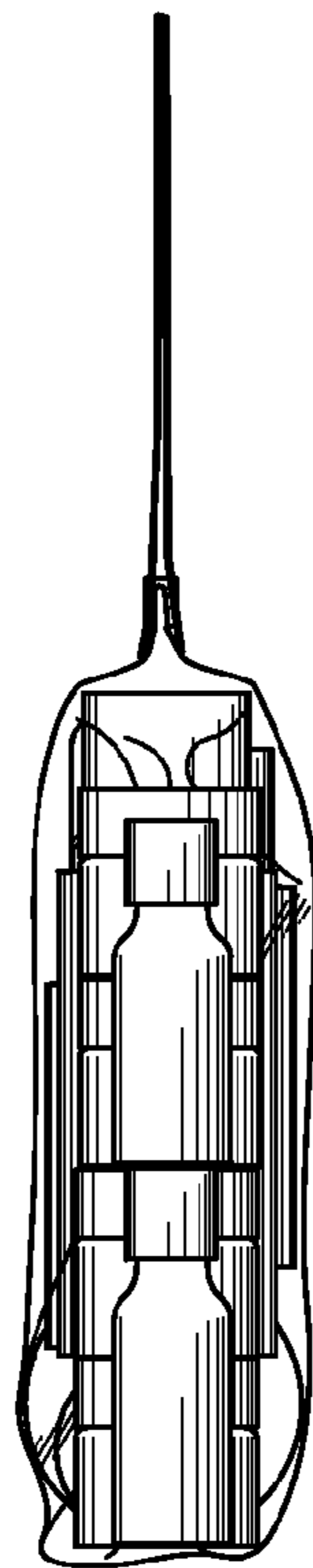


FIG. 4

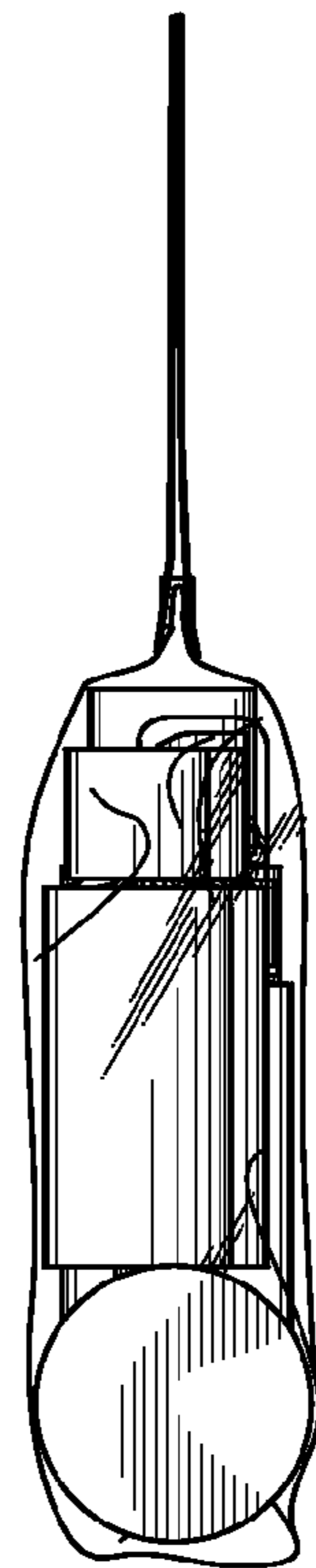


FIG. 5

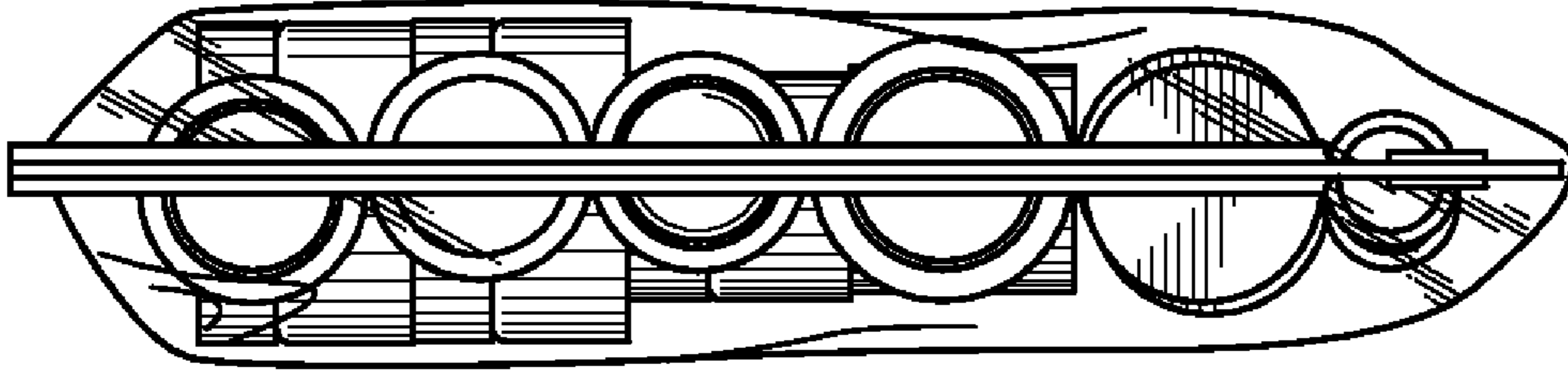


FIG. 6

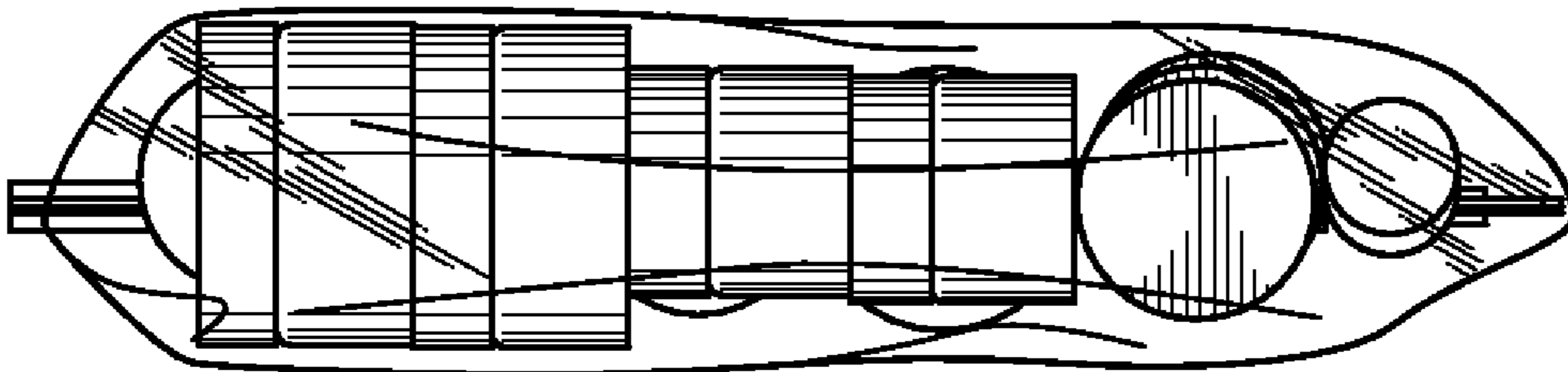


FIG. 7