



US00D564218S

(12) **United States Design Patent**
Bagus

(10) **Patent No.:** **US D564,218 S**
(45) **Date of Patent:** **** Mar. 18, 2008**

(54) **TRAVEL KIT**

(76) Inventor: **Kenneth Allen Bagus**, 880 S. Franklin St., Denver, CO (US) 80209

(**) Term: **14 Years**

(21) Appl. No.: **29/282,933**

(22) Filed: **Aug. 1, 2007**

(51) **LOC (8) Cl.** **03-01**

(52) **U.S. Cl.** **D3/205**

(58) **Field of Classification Search** D3/201,
D3/205; D9/749; D28/47, 73, 83; 190/109,
190/901; 132/73, 311, 314, 315; 206/228,
206/581, 759, 804, 864

See application file for complete search history.

(56) **References Cited**

U.S. PATENT DOCUMENTS

1,790,122	A *	1/1931	Tourtois	132/314
5,358,101	A *	10/1994	Lombardi	206/581
5,441,153	A *	8/1995	Lahaye	206/581
D379,013	S *	4/1997	Shih	D28/73
6,920,974	B2 *	7/2005	Reynolds et al.	206/804
2003/0131868	A1 *	7/2003	Stanley, III	206/581

* cited by examiner

Primary Examiner—Louis S. Zarfes

Assistant Examiner—Monica A Weingart

(74) *Attorney, Agent, or Firm*—Lee G. Meyer, Esq.; Meyer & Associates, LLC Co

(57) **CLAIM**

The design for a travel kit, as shown and described.

DESCRIPTION

The claimed travel kit is used as a transparent, sealable receptacle for the included containers of specific configuration and volumetric capacity.

FIG. 1 is a perspective view of the travel kit showing my new design.

FIG. 2 is a front view of the travel kit.

FIG. 3 is a back view of the travel kit.

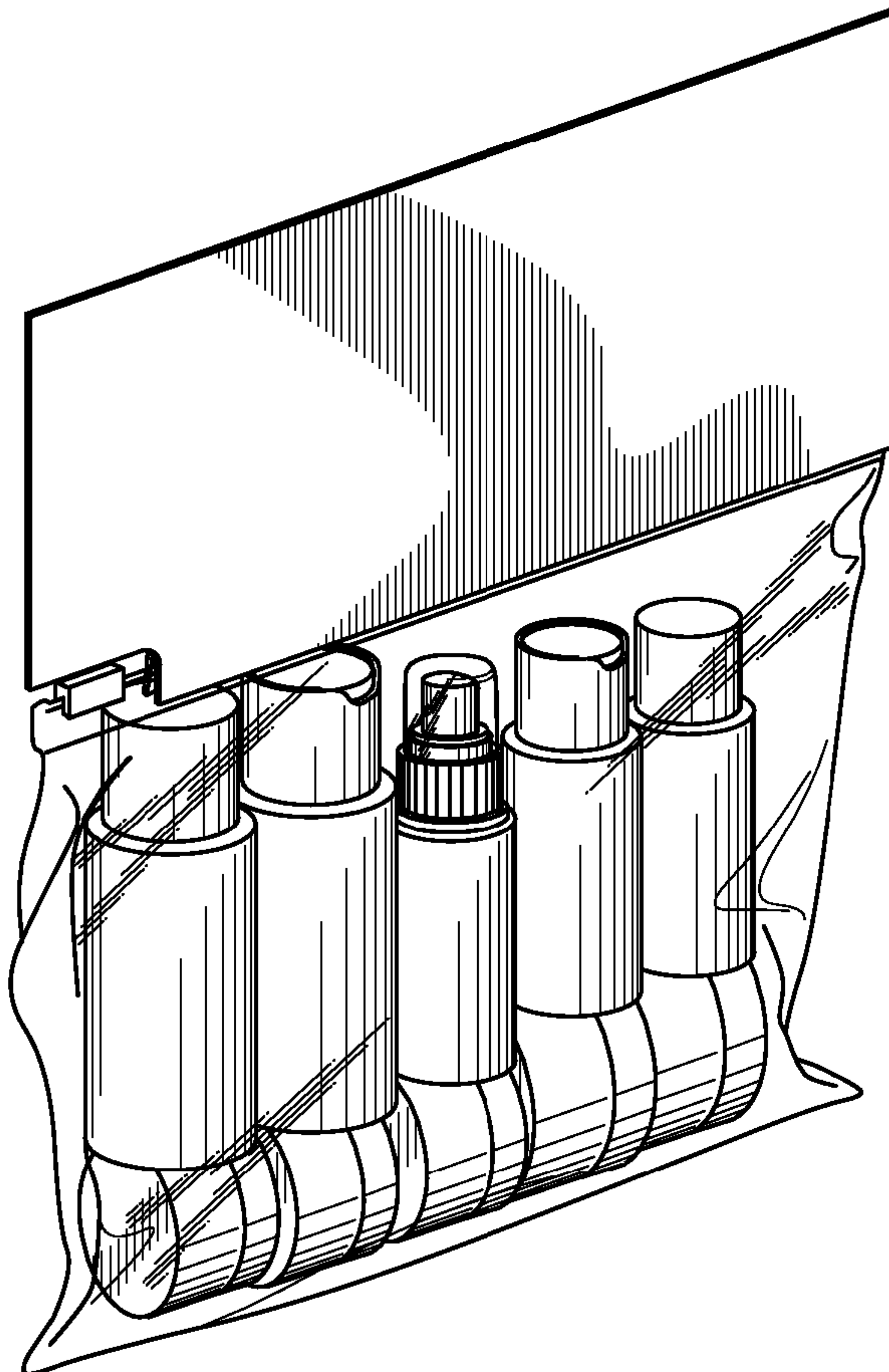
FIG. 4 is a left side view of the travel kit.

FIG. 5 is a right side view of the travel kit.

FIG. 6 is a top view of the travel kit; and,

FIG. 7 is a bottom view of the travel kit.

1 Claim, 3 Drawing Sheets



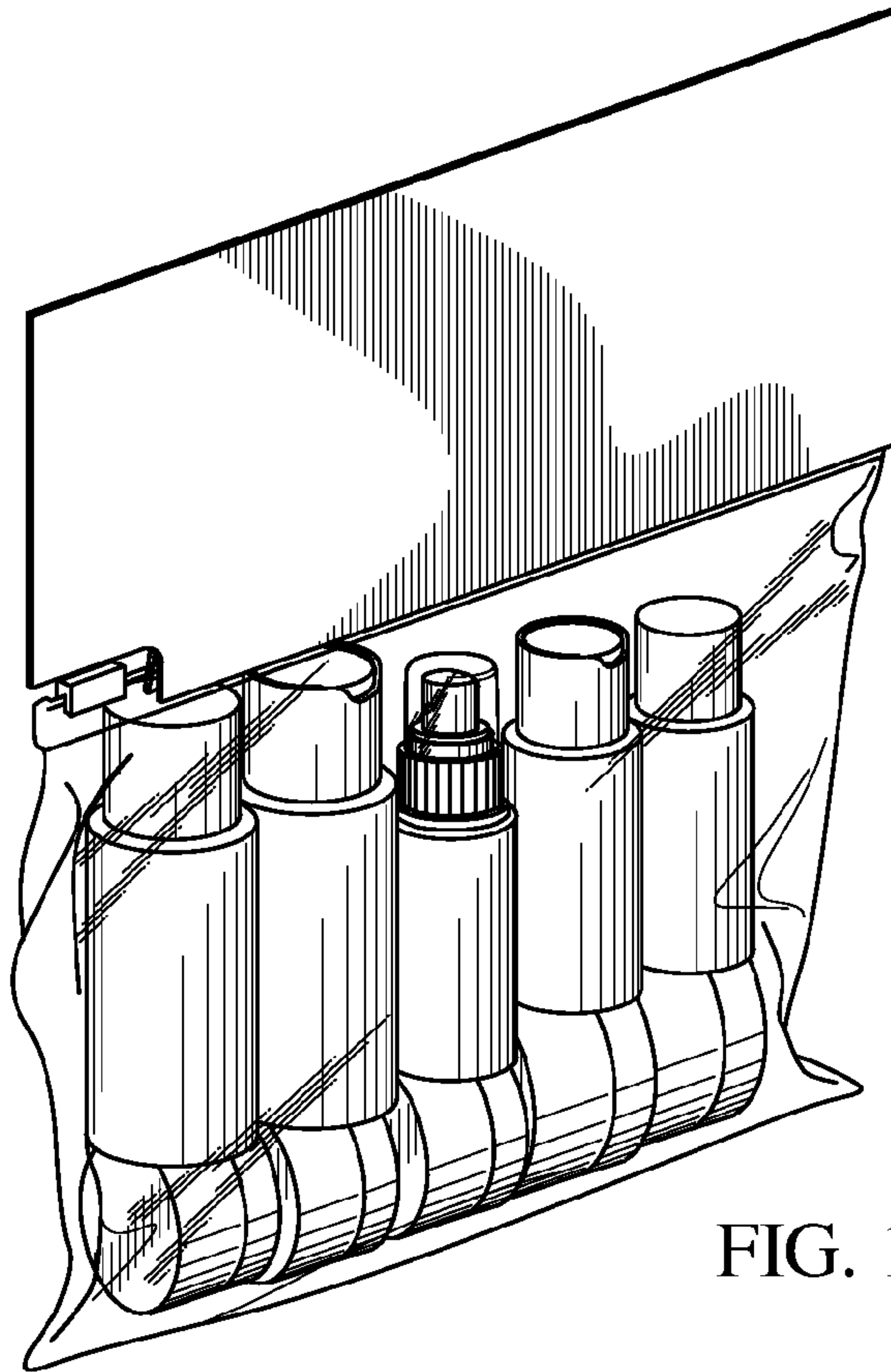


FIG. 1

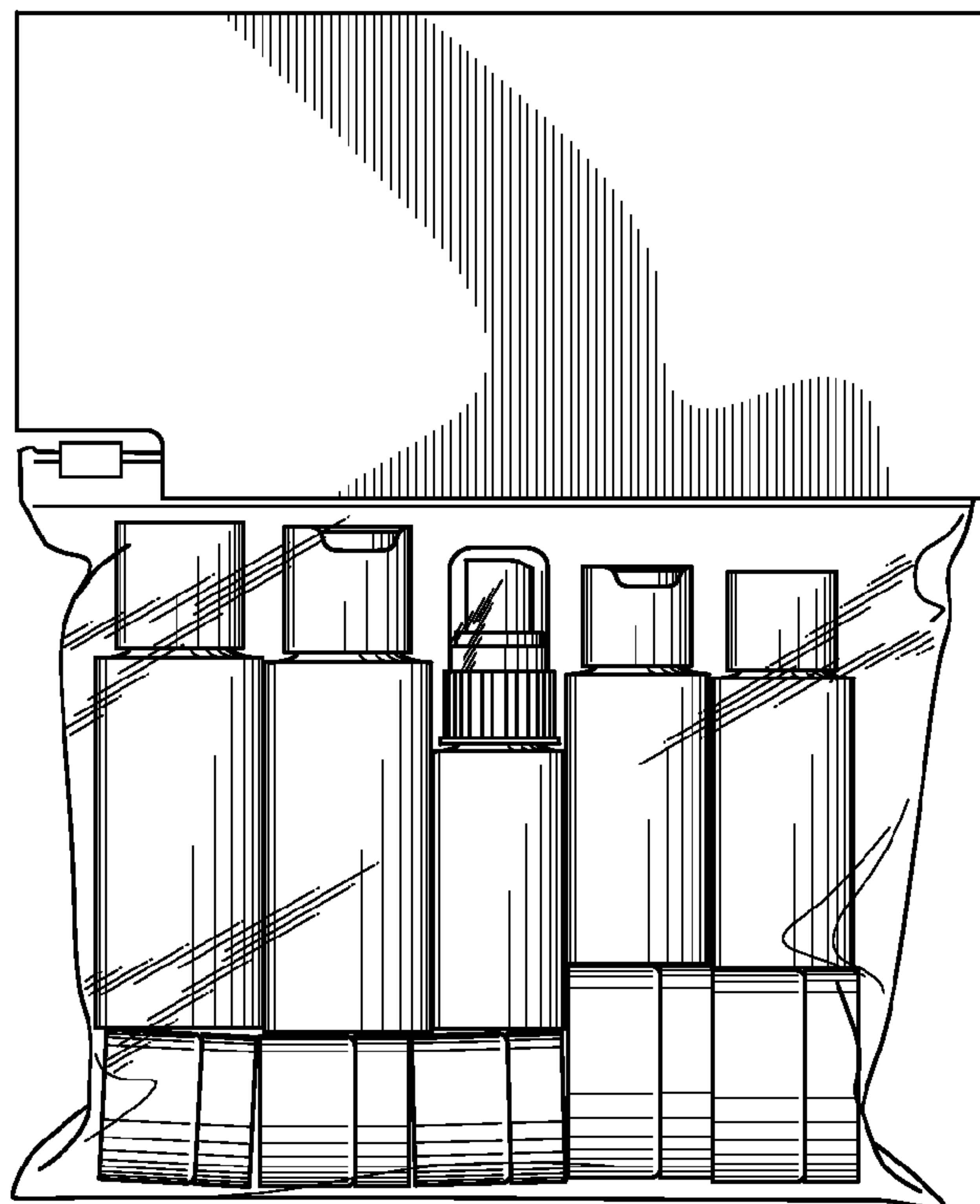


FIG. 2

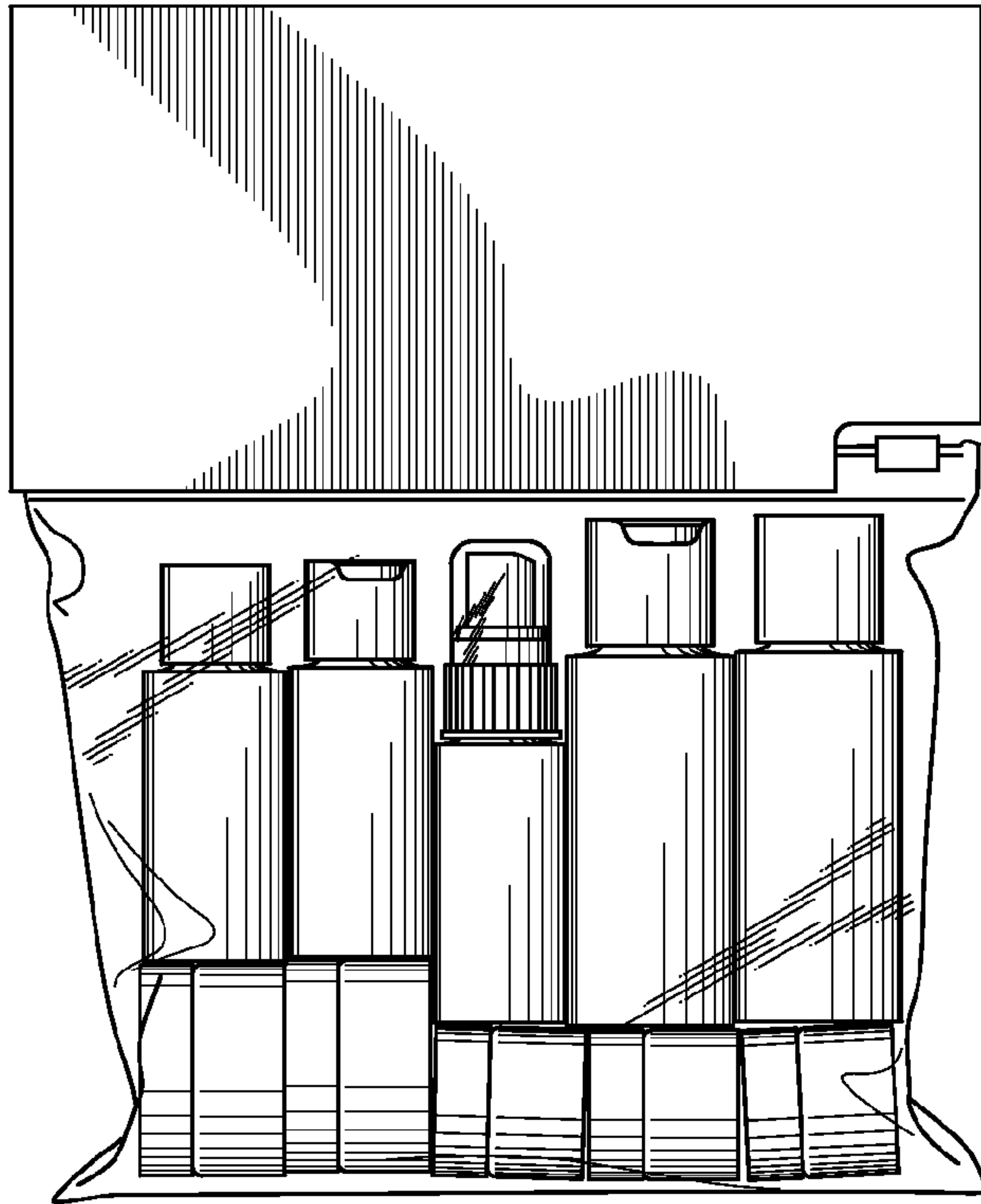


FIG. 3

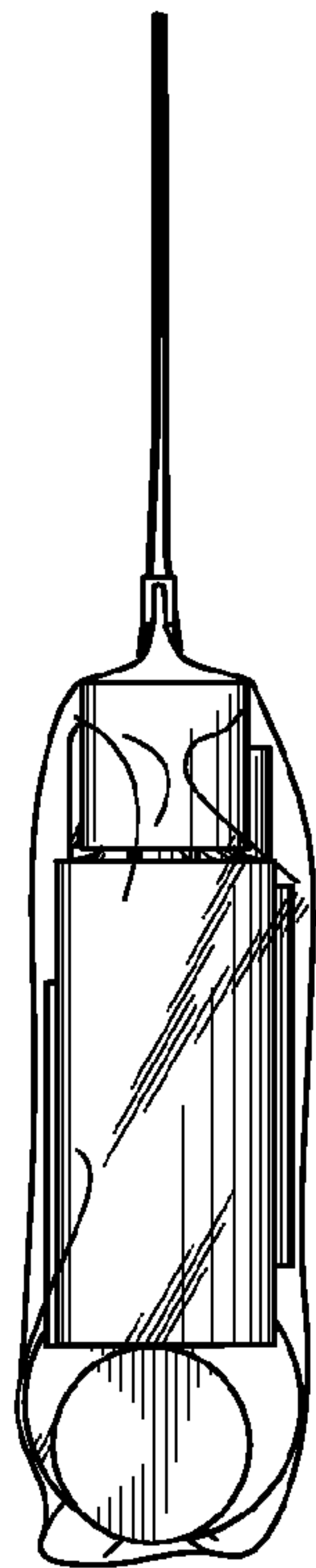


FIG. 4

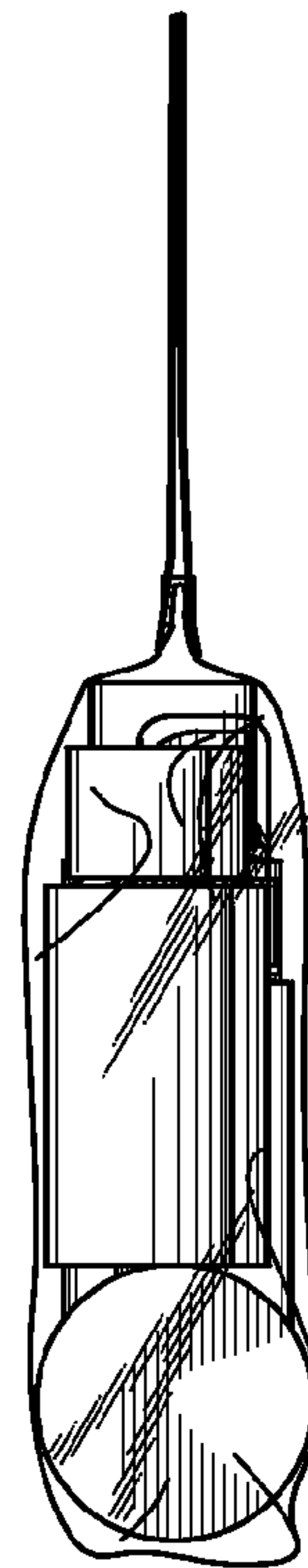


FIG. 5

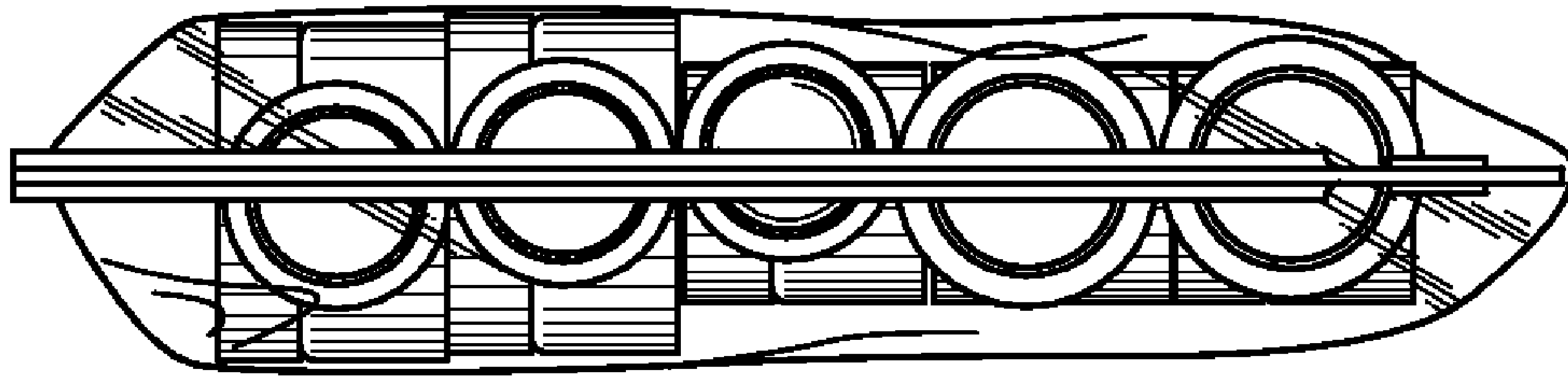


FIG. 6

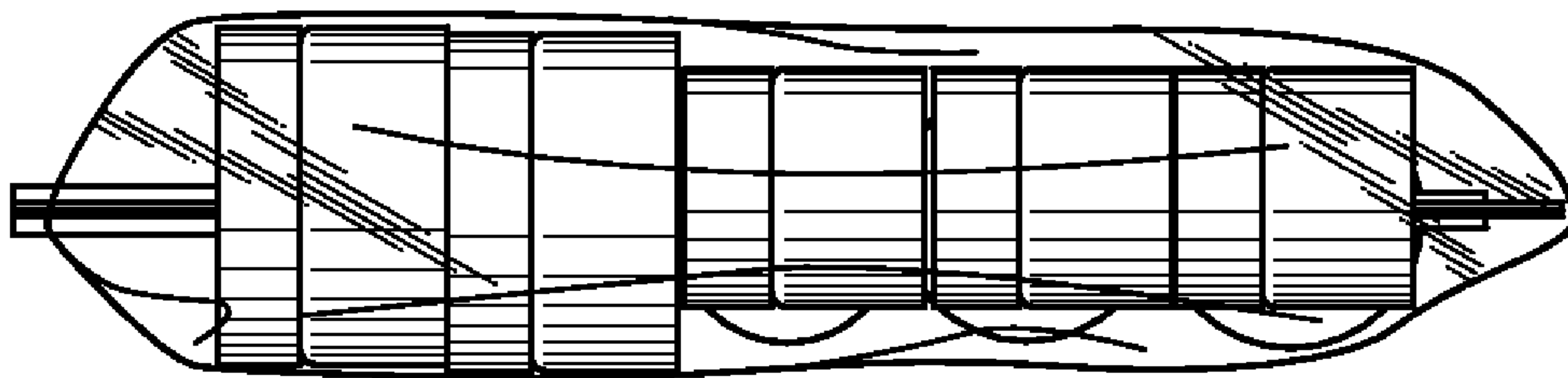


FIG. 7