

US00D564217S

(12) **United States Design Patent**  
**Knox et al.**

(10) **Patent No.:** **US D564,217 S**  
(45) **Date of Patent:** **\*\* Mar. 18, 2008**

(54) **MEDICAL BAG**

(75) Inventors: **Martha Elizabeth Knox**, San Marcos, TX (US); **Marian L. Upchurch**, San Marcos, TX (US)

(73) Assignee: **SeniorQuest, Inc.**, San Marcos, TX (US)

(\*\*) Term: **14 Years**

(21) Appl. No.: **29/279,372**

(22) Filed: **Apr. 27, 2007**

(51) **LOC (8) Cl.** ..... **03-01**

(52) **U.S. Cl.** ..... **D3/203.1**

(58) **Field of Classification Search** ..... D3/203.1,  
D3/203.6, 203.7, 203.8, 201, 205, 299, 227,  
D3/247-249; 206/232-233, 38, 581; 383/907  
See application file for complete search history.

(56) **References Cited**

**U.S. PATENT DOCUMENTS**

1,728,365	A *	9/1929	Root et al.	.....	224/222
D283,546	S *	4/1986	Nathan	.....	D3/203.7
D345,861	S *	4/1994	Knox et al.	.....	D3/203.7
D451,668	S *	12/2001	Lewis	.....	D3/243
D526,118	S *	8/2006	Foote	.....	D3/203.1
D530,084	S *	10/2006	Wilson	.....	D3/249
2003/0188815	A1	10/2003	Hart	.....	150/147
2004/0019288	A1	1/2004	Kinast	.....	600/509
2005/0116003	A1	6/2005	Butler et al.	.....	224/604

**OTHER PUBLICATIONS**

“Pharmacy Bag,” Section 1 Pharmacy Bags, Health Care Industry Bags, Elkay Plastics Co., Inc., 2004.

\* cited by examiner

*Primary Examiner*—Catherine R. Oliver

(74) *Attorney, Agent, or Firm*—Patterson & Sheridan, LLP

(57) **CLAIM**

The ornamental design for a medical bag, as shown and described.

**DESCRIPTION**

A bag for holding medical supplies is provided. The bag has a lanyard for supporting the bag around the neck or shoulder of the user. The bag comprises a fabric that is both water repellent and fire retardant. The bag is bright orange in color. Clear plastic pouches are present on the front flap to permit identification information to be placed therein. The identification information may include the name, address, photograph, and other identifying information of the user. The identification information may also include the contents of the medicine that may be carried within the bag. The bag has a pouch portion accessible by un-fastening the front flap, raising the front flap, and unzipping the pouch. The fastening mechanism for the front flap is Velcro. The bag permits the carrying of medical supplies, medications, or other personal supplies by the user in the event that the user is transported to another location or needs to evacuate.

FIG. 1 is a perspective view of the invention with the front flap closed;

FIG. 2 is a front view of the invention;

FIG. 3 is a side view of the invention;

FIG. 4 is an opposite side view of the invention;

FIG. 5 is a back view of the invention;

FIG. 6 is a top view of the invention;

FIG. 7 is a bottom view of the invention;

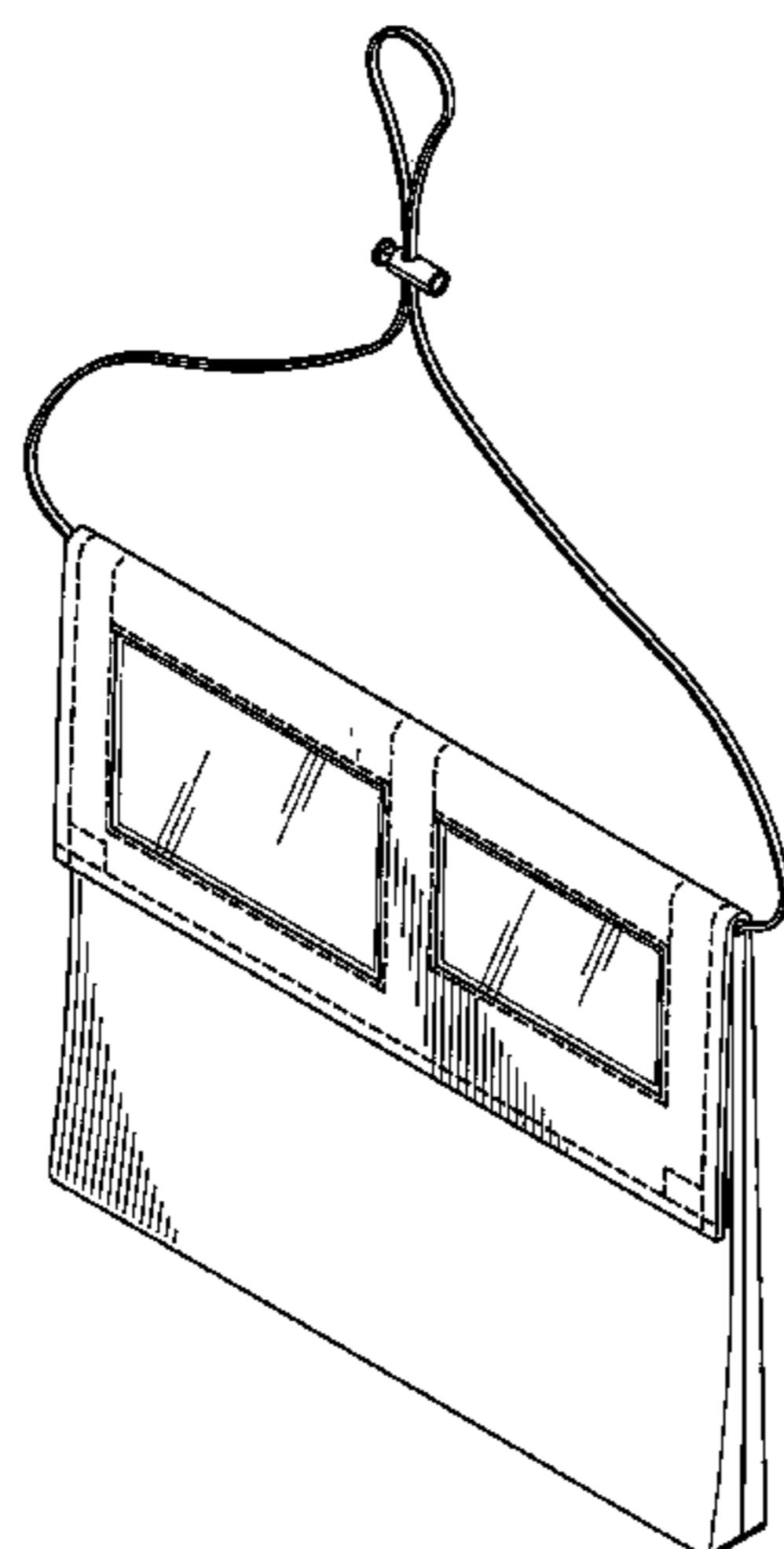
FIG. 8 is a perspective view of the invention with the front flap open;

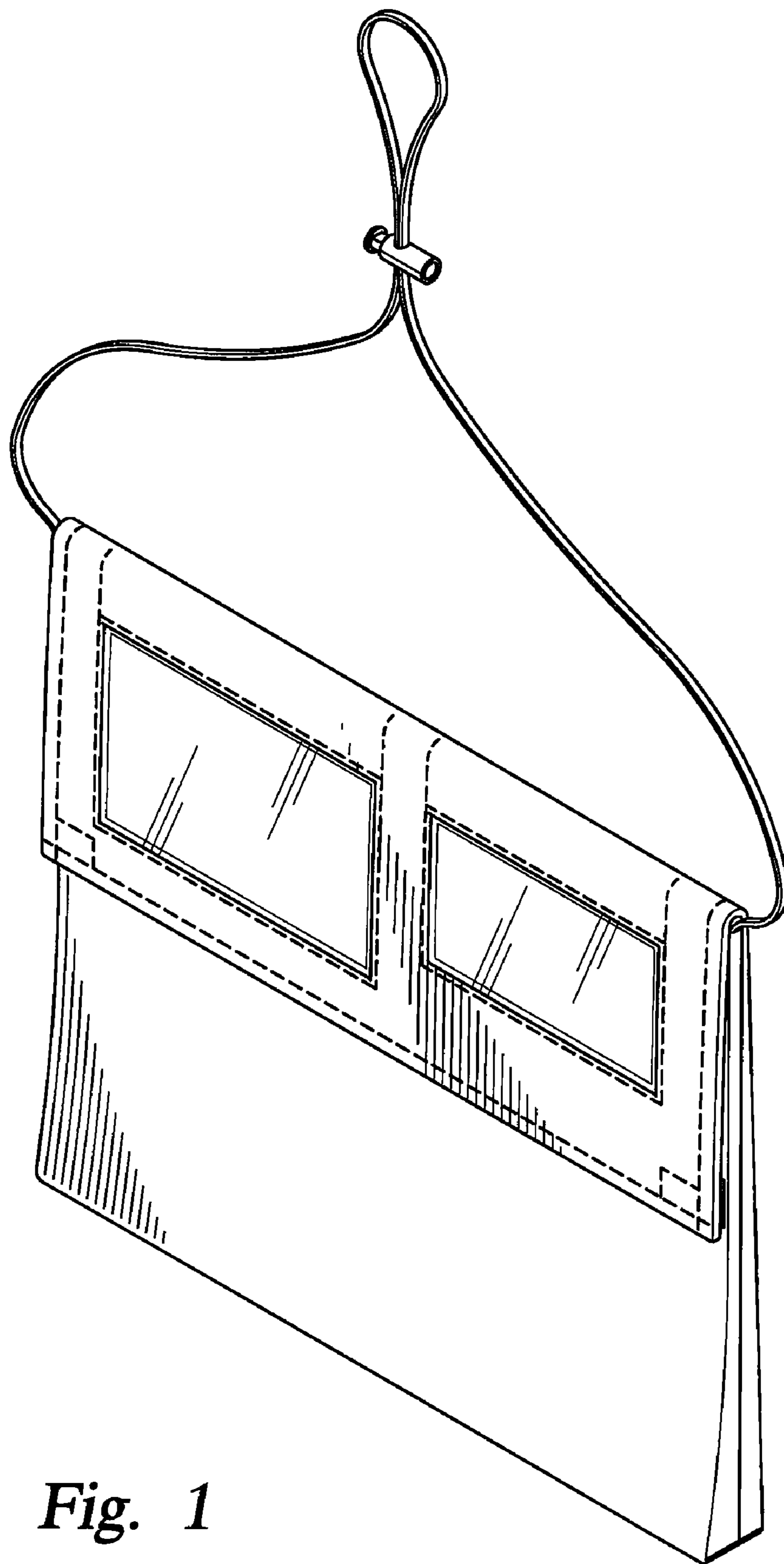
FIG. 9 is a front view of the invention with the front flap open; and,

FIG. 10 is a rear view of the invention with the front flap open.

The broken lines shown in the drawings indicate topstitching.

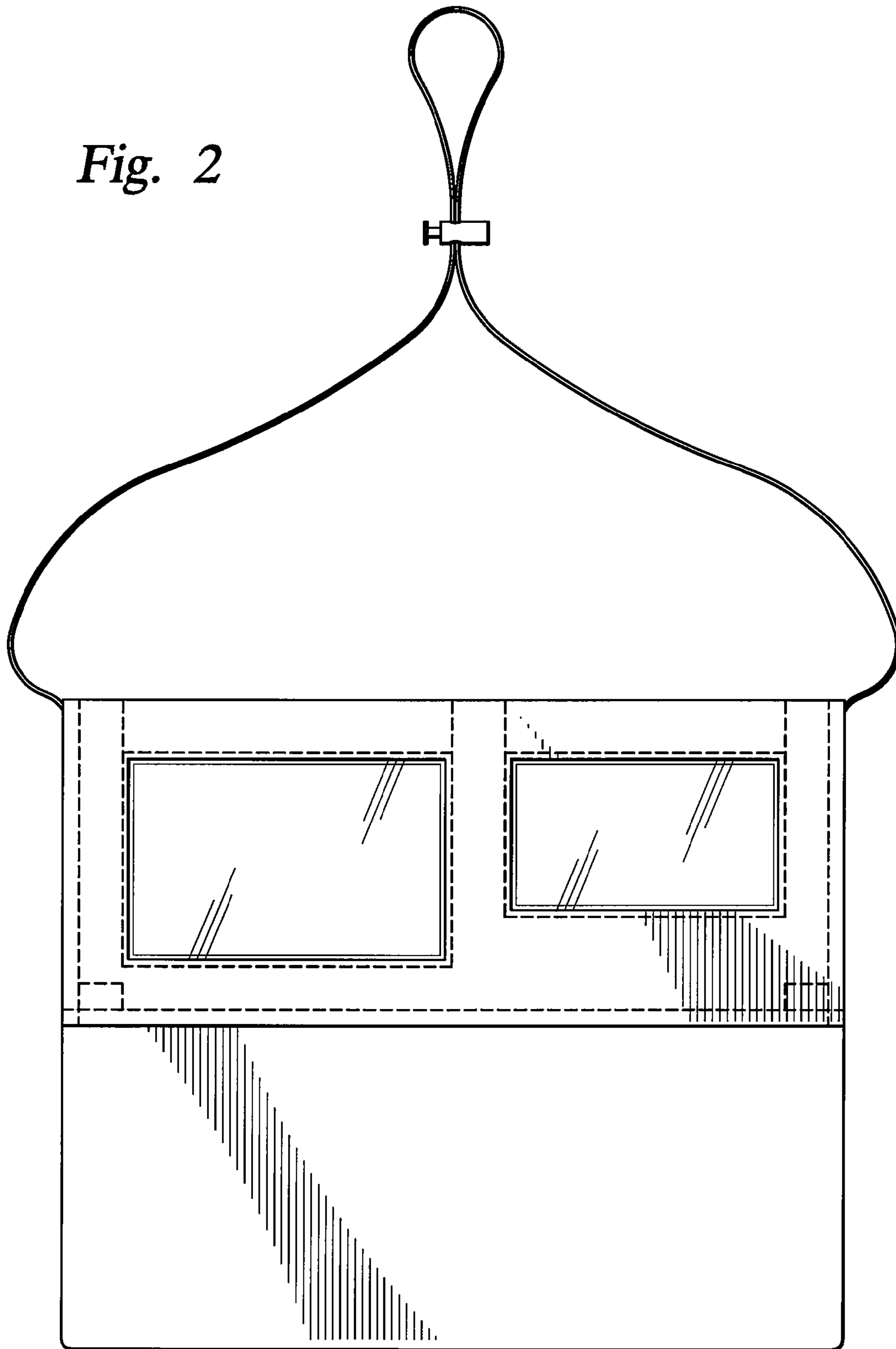
**1 Claim, 8 Drawing Sheets**

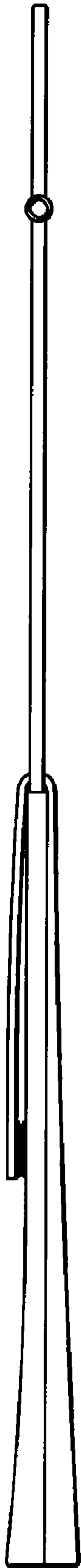




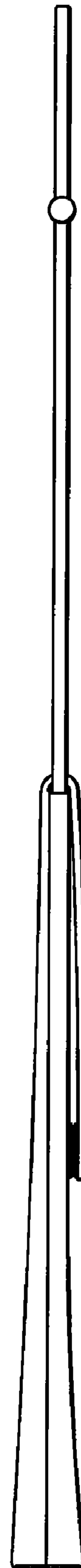
*Fig. 1*

*Fig. 2*



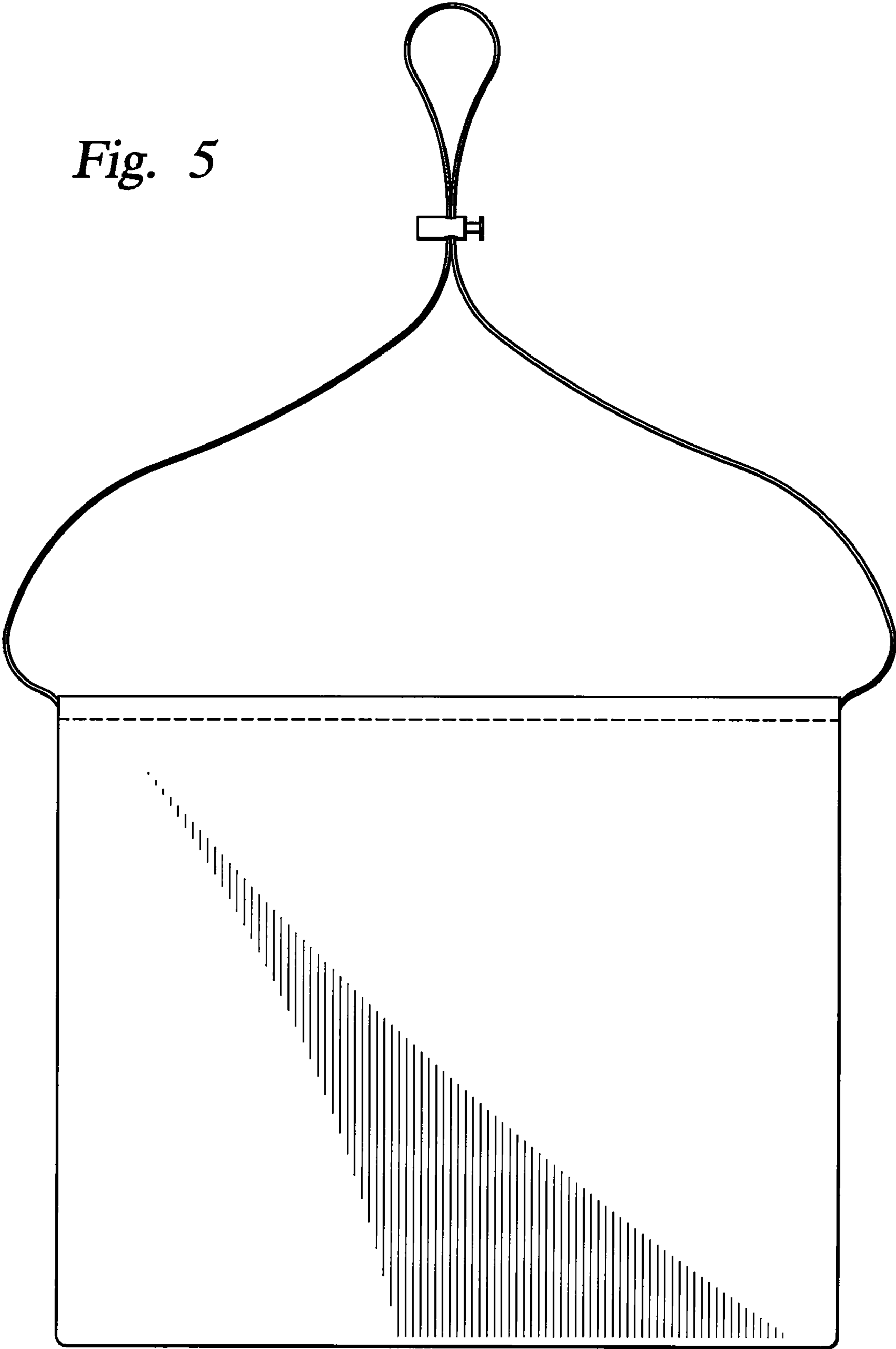


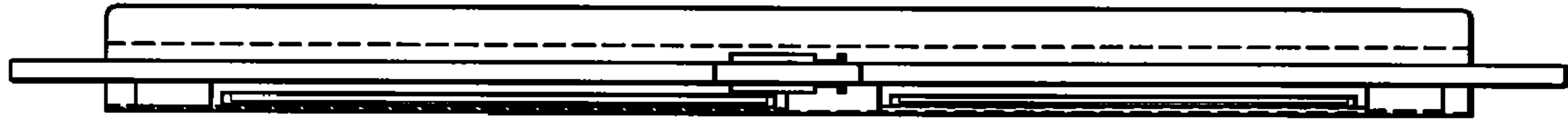
*Fig. 3*



*Fig. 4*

*Fig. 5*



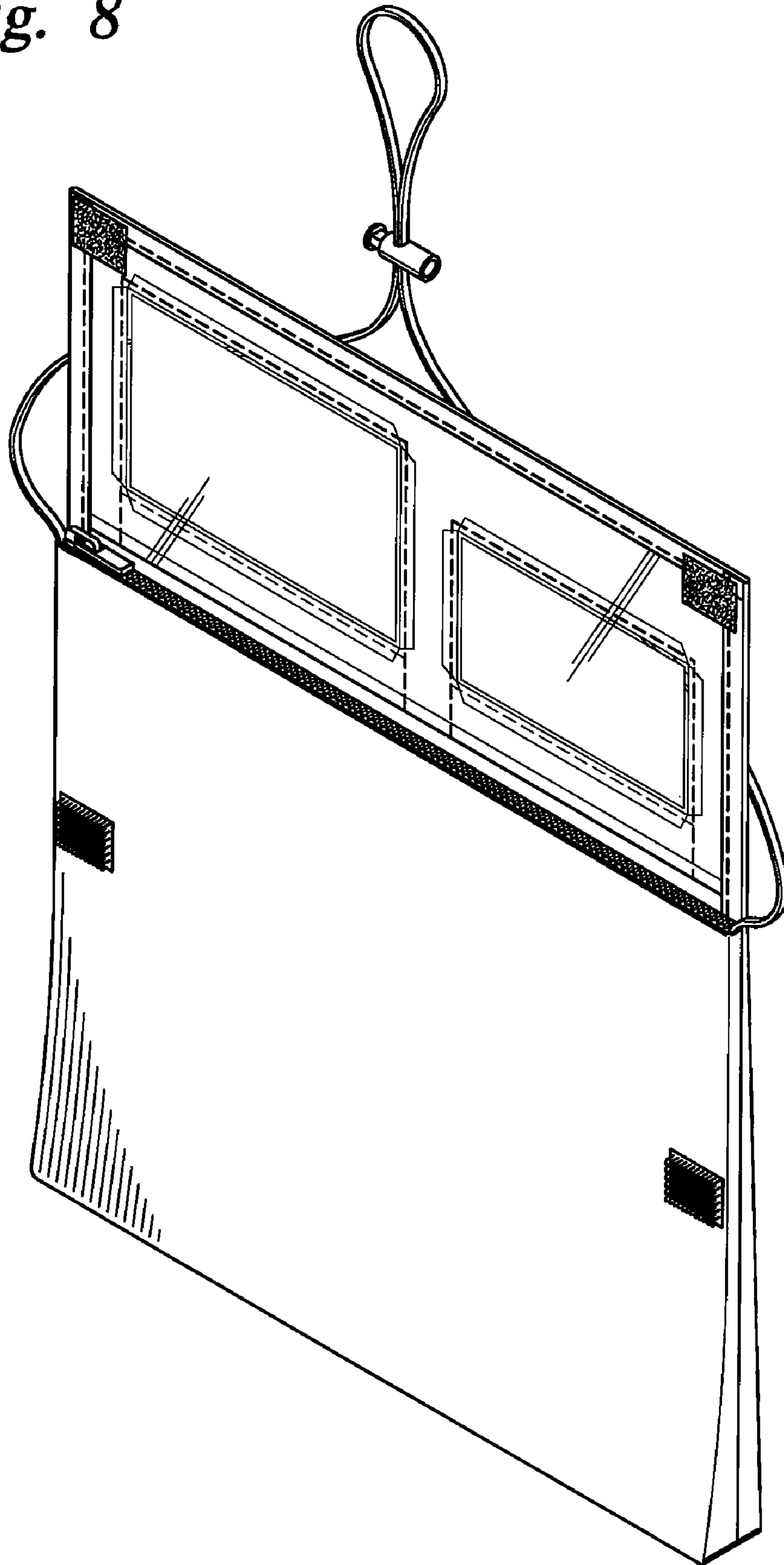


*Fig. 6*

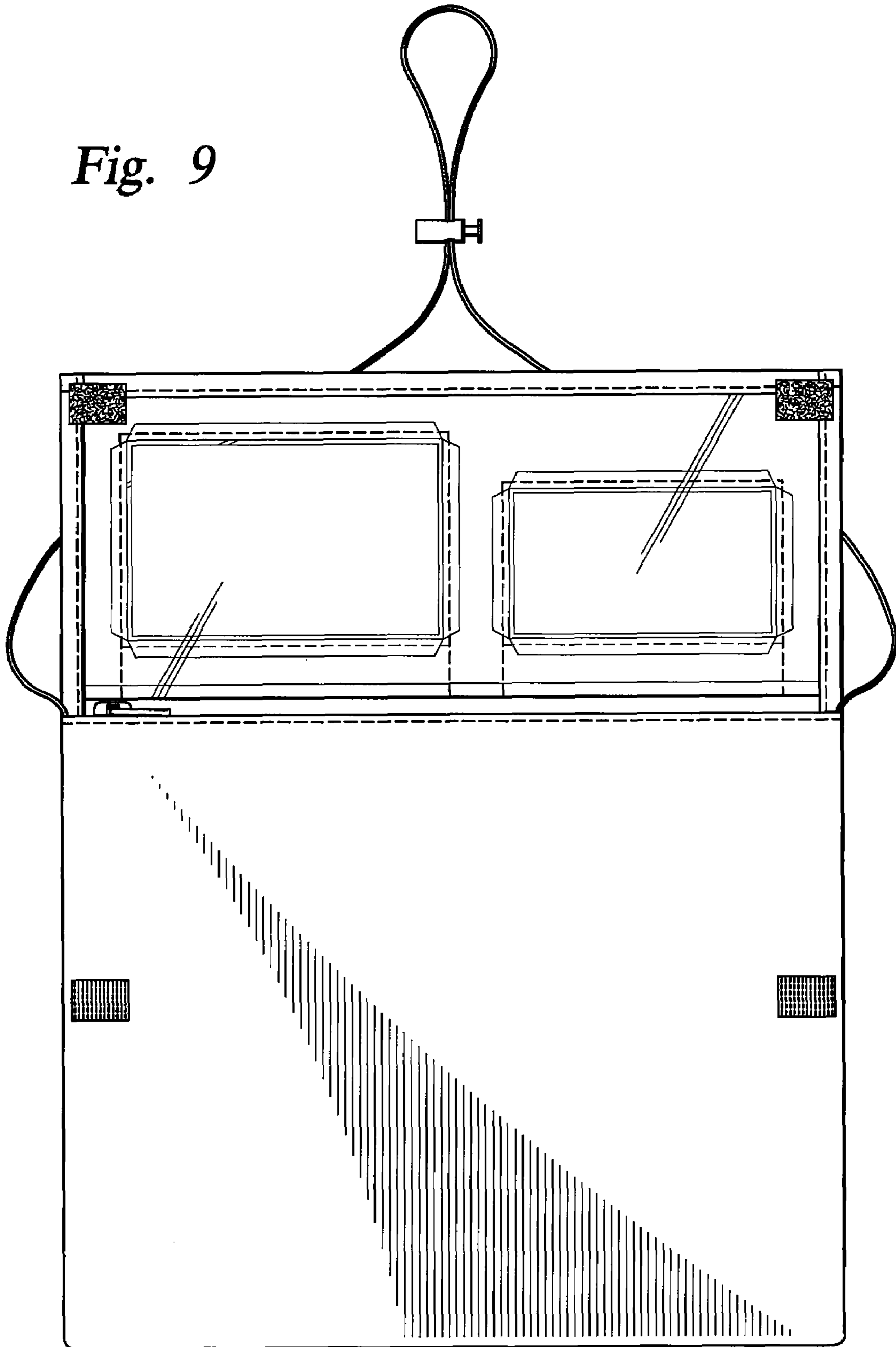


*Fig. 7*

*Fig. 8*



*Fig. 9*





*Fig. 10*

