

US00D564216S

(12) **United States Design Patent**  
**Thai**

(10) **Patent No.:** **US D564,216 S**  
(45) **Date of Patent:** **\*\* Mar. 18, 2008**

(54) **WINE CARRIER**

(75) Inventor: **Tony Thai**, P.O. Box 941086, Plano,  
TX (US) 75094

(73) Assignee: **Tony Thai**, Plano, TX (US)

(\*\*) Term: **14 Years**

(21) Appl. No.: **29/283,701**

(22) Filed: **Aug. 21, 2007**

(51) **LOC (8) Cl.** ..... **03-01**

(52) **U.S. Cl.** ..... **D3/202; D3/294; D3/273**

(58) **Field of Classification Search** ..... D3/202,  
D3/201, 242, 272-273, 276, 281, 283, 294,  
D3/289, 285, 301, 303, 315-318, 900-905;  
D7/605, 628, 607; 206/427, 433, 457, 521;  
190/100, 109

See application file for complete search history.

(56) **References Cited**

**U.S. PATENT DOCUMENTS**

- D180,036 S \* 4/1957 Silverman ..... D3/242
- D284,062 S \* 6/1986 Ryan, Jr. .... D7/605
- D375,660 S \* 11/1996 Parris ..... D7/628
- D451,665 S \* 12/2001 Phillips et al. .... D3/202

- D512,218 S \* 12/2005 Tagliati et al. .... D3/273
- D521,731 S \* 5/2006 Tagliati et al. .... D3/273
- D544,208 S \* 6/2007 Guy et al. .... D3/274

\* cited by examiner

*Primary Examiner*—Catherine R. Oliver

(57) **CLAIM**

The ornamental design for a wine carrier, as shown and described.

**DESCRIPTION**

FIG. 1 is a perspective view of a wine carrier, showing my new design;

FIG. 2 is a front elevational view of the invention;

FIG. 3 is a rear elevational view of the invention;

FIG. 4 is a left-side elevational view of the invention;

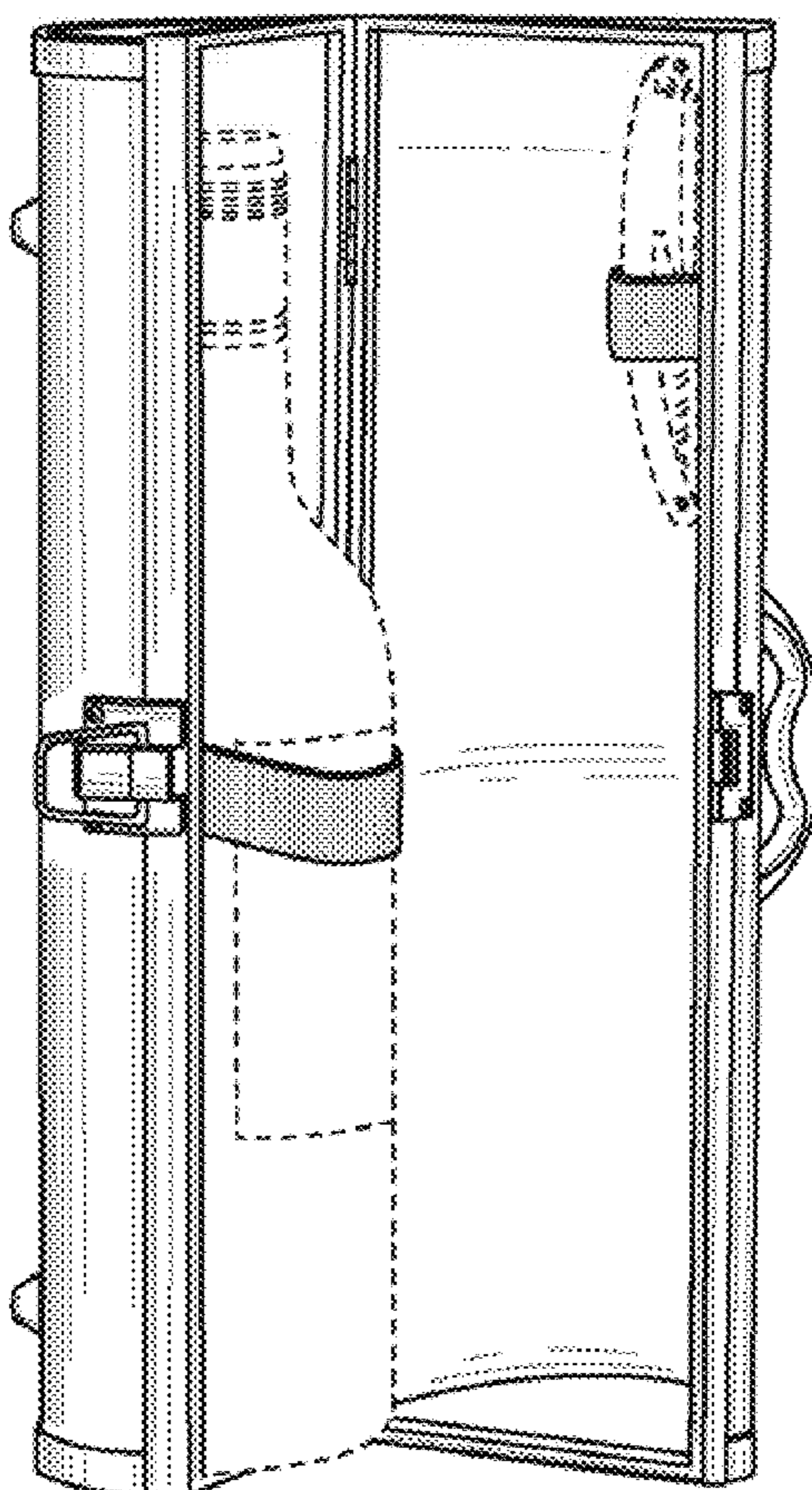
FIG. 5 is a right-side elevational view of the invention;

FIG. 6 is a top plan view of the invention; and,

FIG. 7 is a bottom plan view of the invention.

The broken lines showing a wine bottle and opener in FIG. 1 are included for the purpose of illustrating the invention in use, and form no part of the claimed design.

**1 Claim, 2 Drawing Sheets**



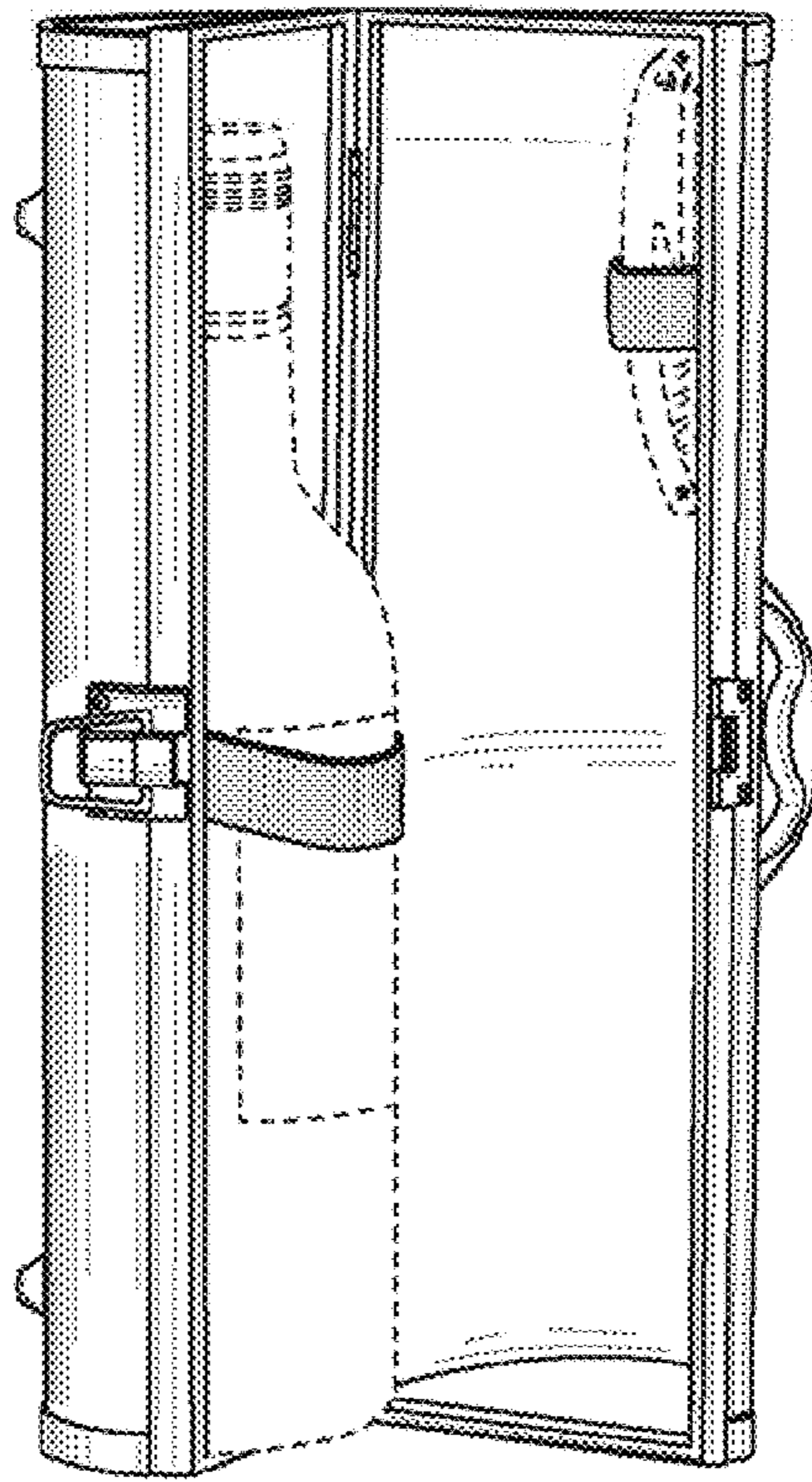


FIG. 1

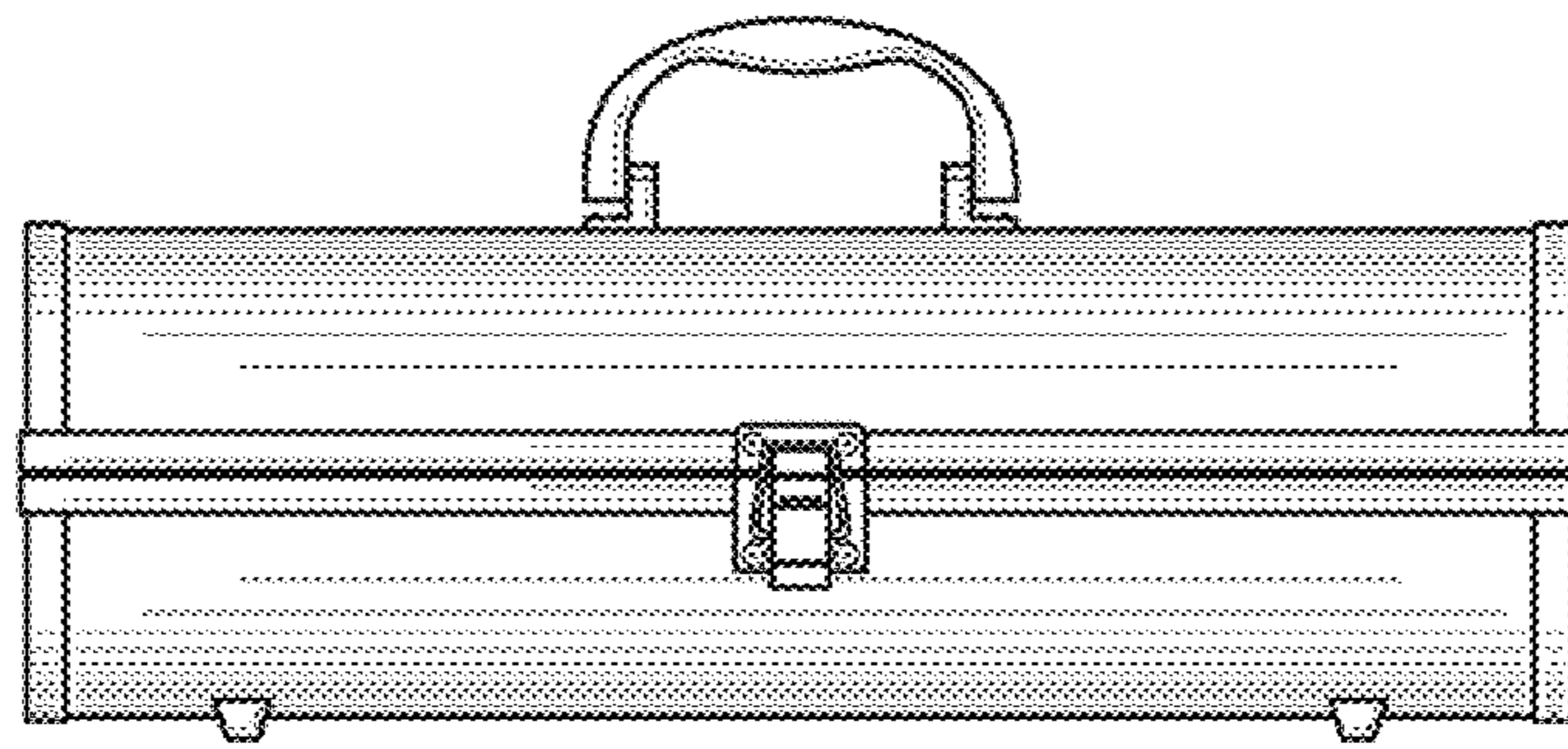


FIG. 2

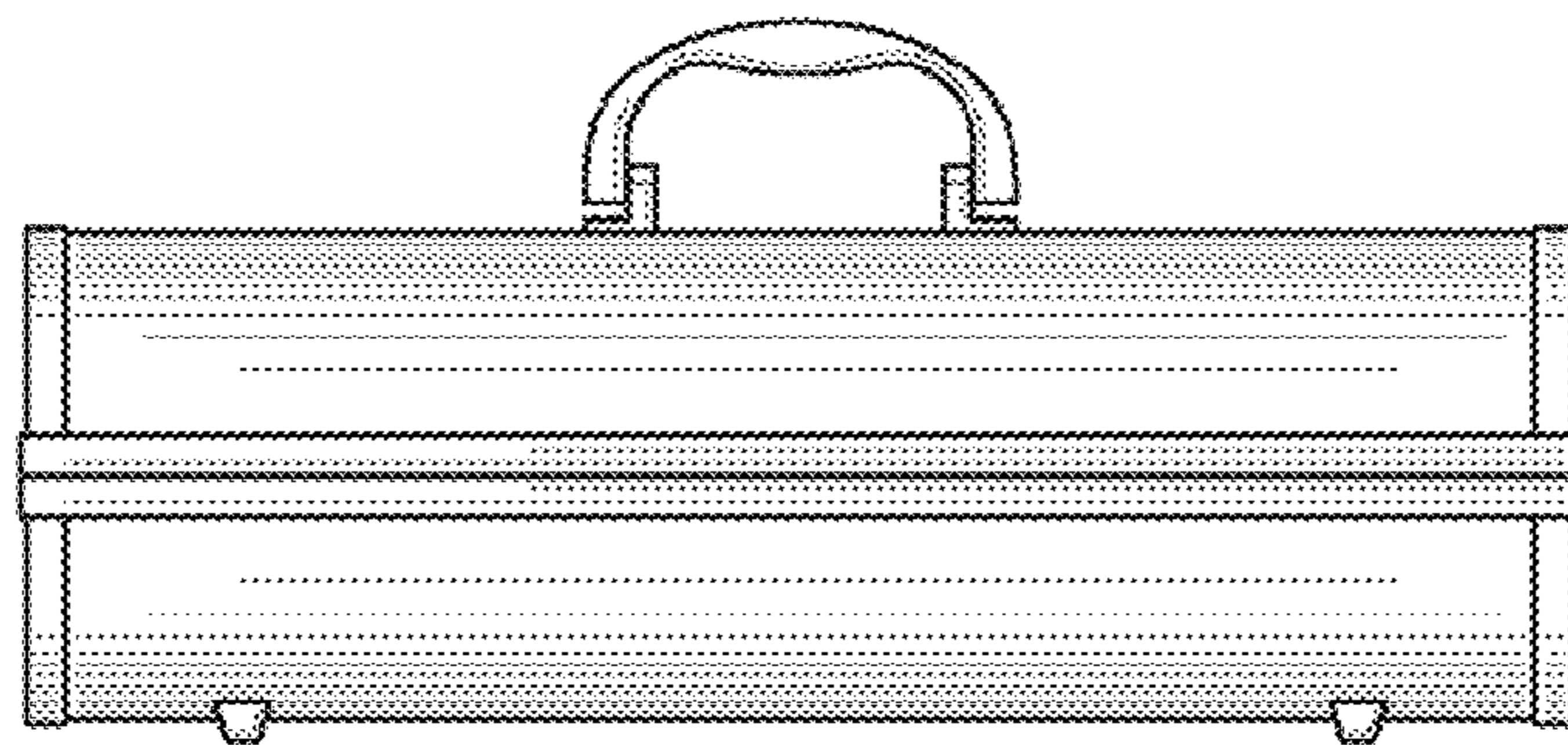


FIG. 3

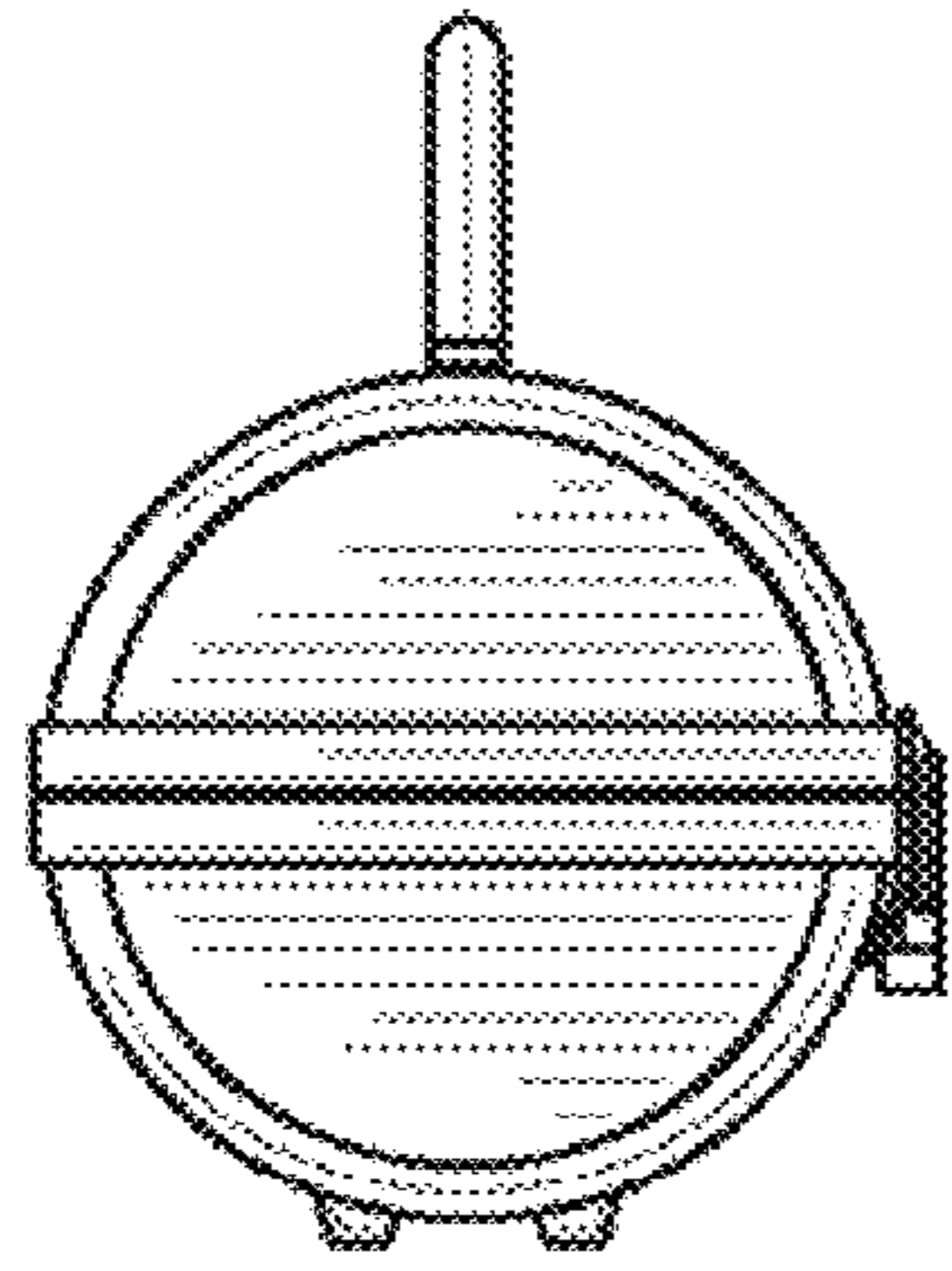


FIG. 4

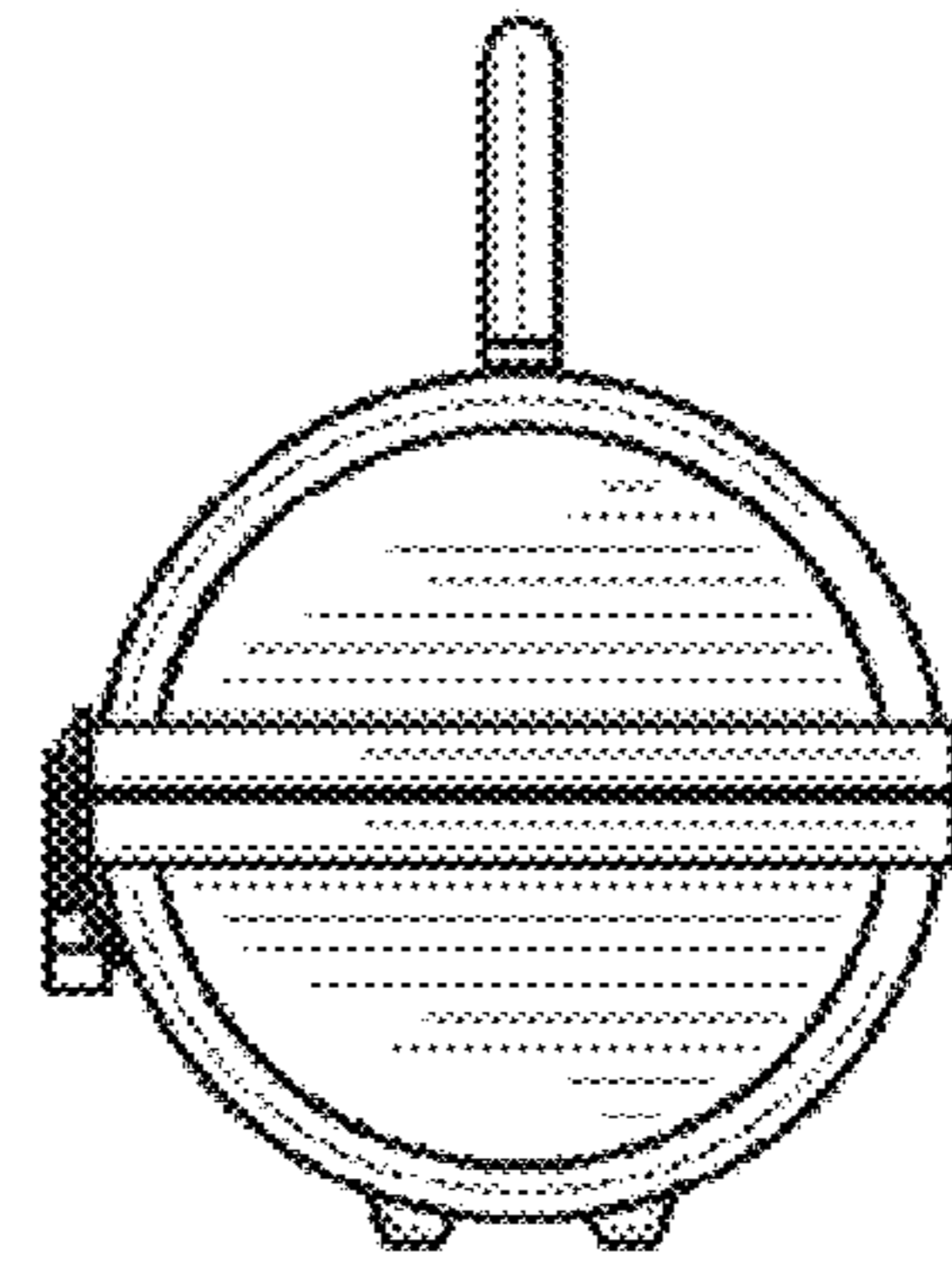


FIG. 5

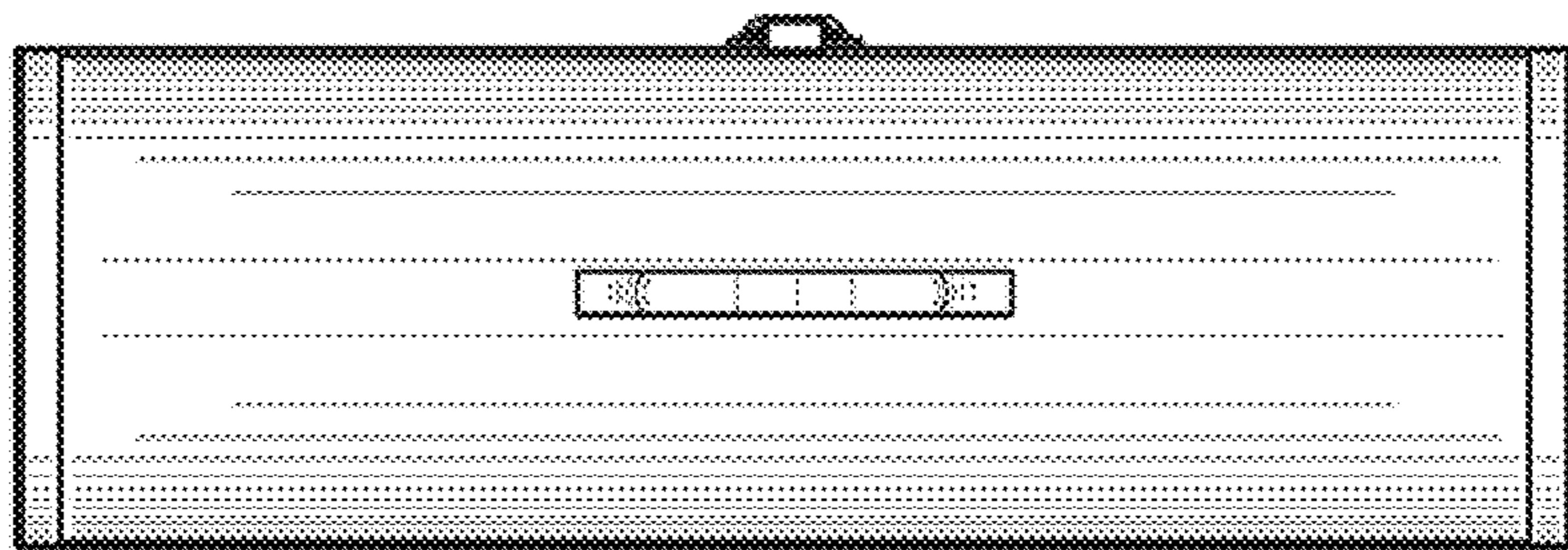


FIG. 6

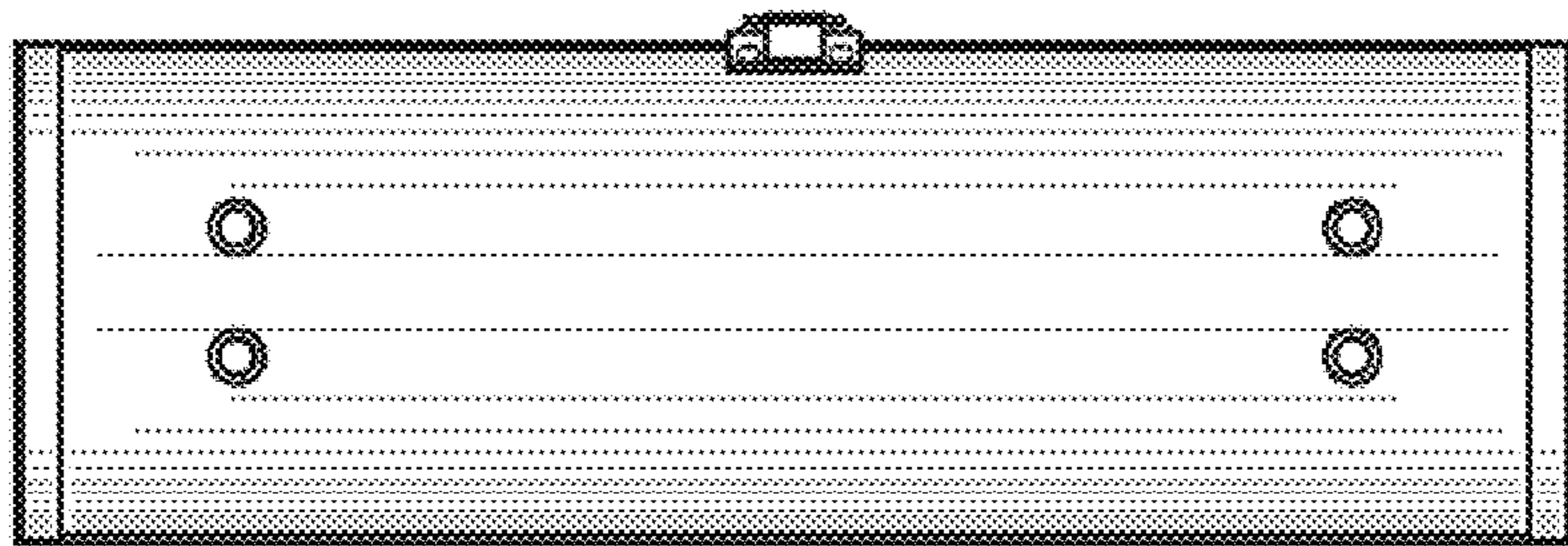


FIG. 7