



US00D564187S

(12) **United States Design Patent**
Webb

(10) **Patent No.:** **US D564,187 S**

(45) **Date of Patent:** **** Mar. 18, 2008**

(54) **GAITER**

(76) **Inventor:** **Malcolm Webb**, 17 Ranfurly Road,
Dungannon, County Tyrone (GB) BT71
6EF

(**) **Term:** **14 Years**

(21) **Appl. No.:** **29/265,741**

(22) **Filed:** **Sep. 7, 2006**

(30) **Foreign Application Priority Data**

Mar. 8, 2006 (EM) 000491691

(51) **LOC (8) Cl.** **02-04**

(52) **U.S. Cl.** **D2/901**

(58) **Field of Classification Search** D2/901,
D2/910, 911, 943-946; D5/62; 2/59, 242;
36/2 R, 2 A, 89; 602/60; 428/195.1
See application file for complete search history.

(56) **References Cited**

U.S. PATENT DOCUMENTS

1,794,506 A * 3/1931 Anderson 36/2 R
2,532,024 A * 11/1950 Hoffman 36/2 R
D290,302 S * 6/1987 Campbell D2/901

4,896,437 A * 1/1990 Johnson 36/1.5
D356,662 S * 3/1995 Baade D2/901
D369,455 S * 5/1996 Halvorson D2/901
5,815,948 A * 10/1998 Dzielak 36/2 R

* cited by examiner

Primary Examiner—Stella M. Reid

Assistant Examiner—Rashida C. McCoy

(74) *Attorney, Agent, or Firm*—Van Dyke, Gardner, Linn &
Burkhart, LLP

(57) **CLAIM**

The ornamental design for a gaiter, as shown and described.

DESCRIPTION

FIG. 1 is a side perspective view of a gaiter, showing my
new design;

FIG. 2 is another side perspective view thereof;

FIG. 3 is an enlarged bottom plan thereof;

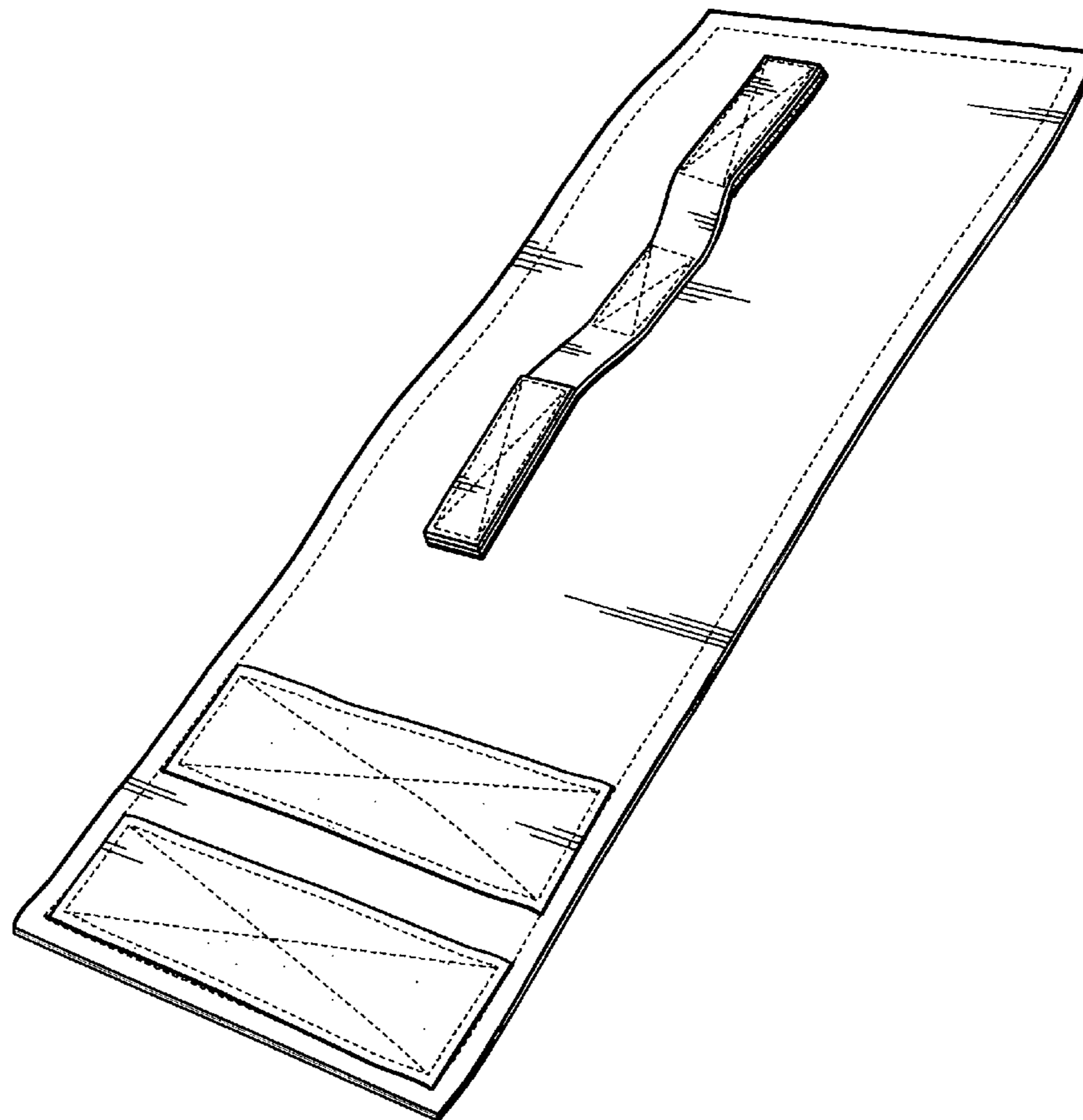
FIG. 4 is an enlarged top plan view thereof;

FIG. 5 is an enlarged front side elevation thereof;

FIG. 6 is an enlarged left side elevation view thereof; and,

FIG. 7 is an enlarged right side elevation view thereof.

1 Claim, 5 Drawing Sheets



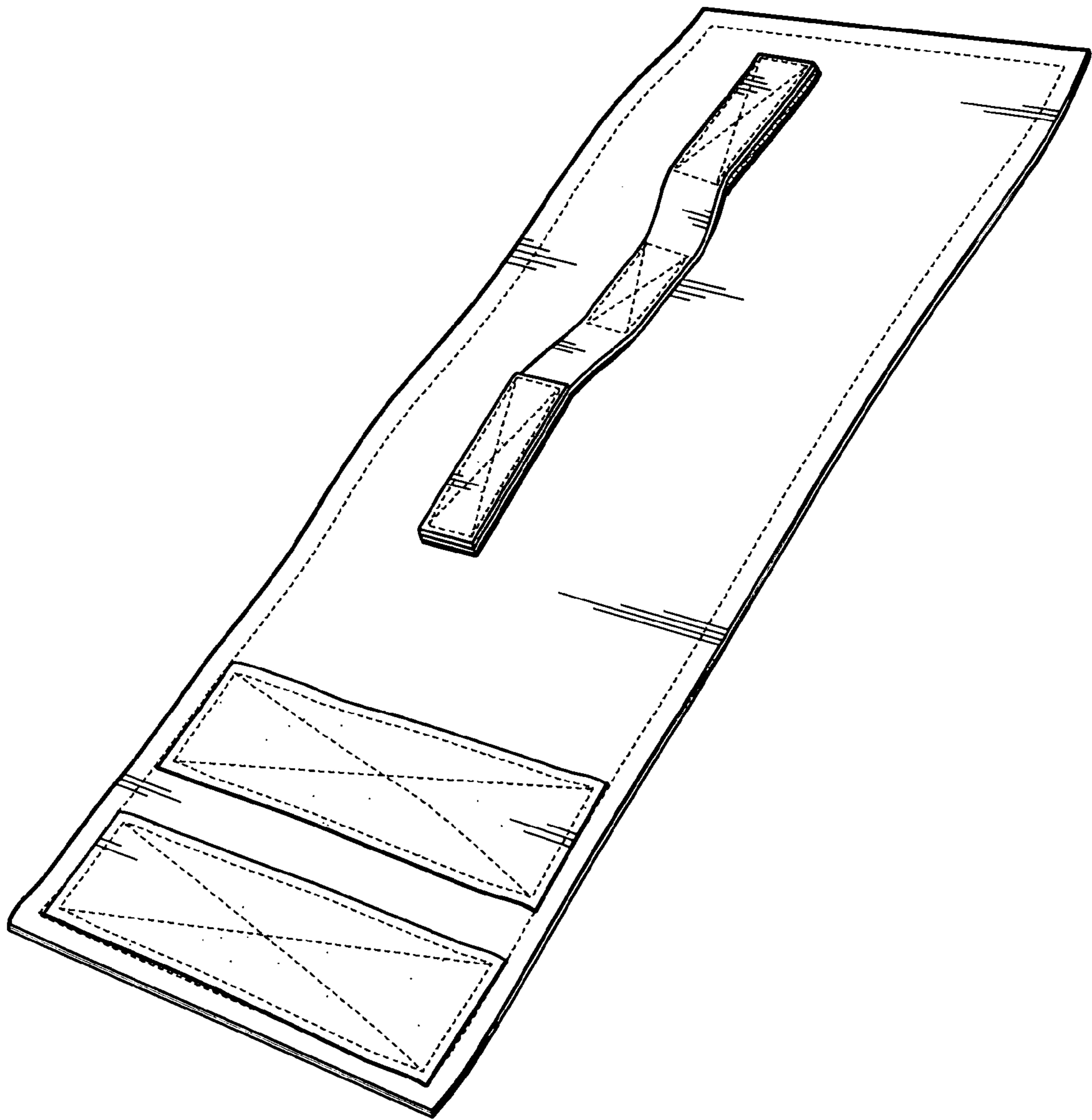


FIG. 1

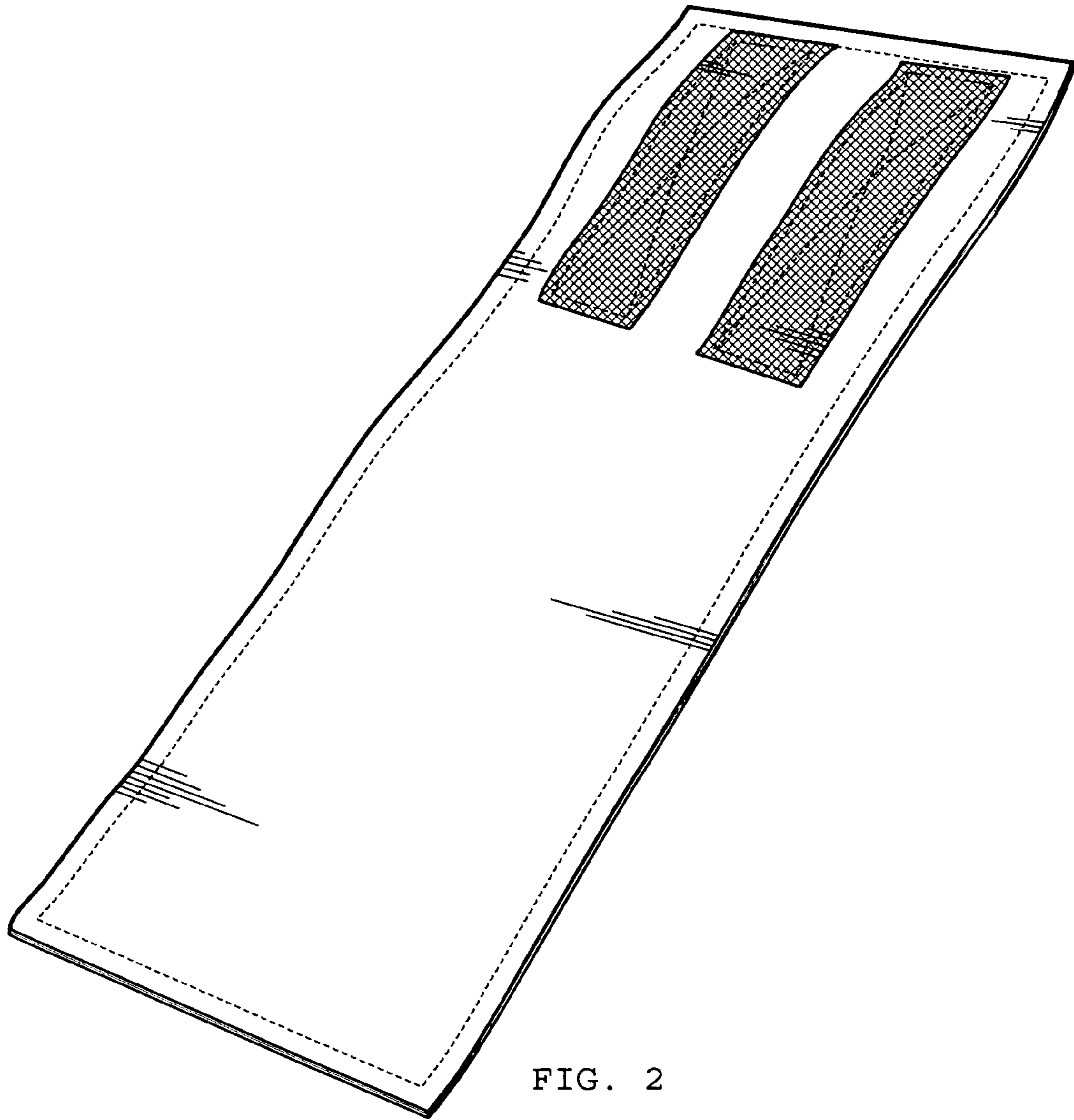


FIG. 2

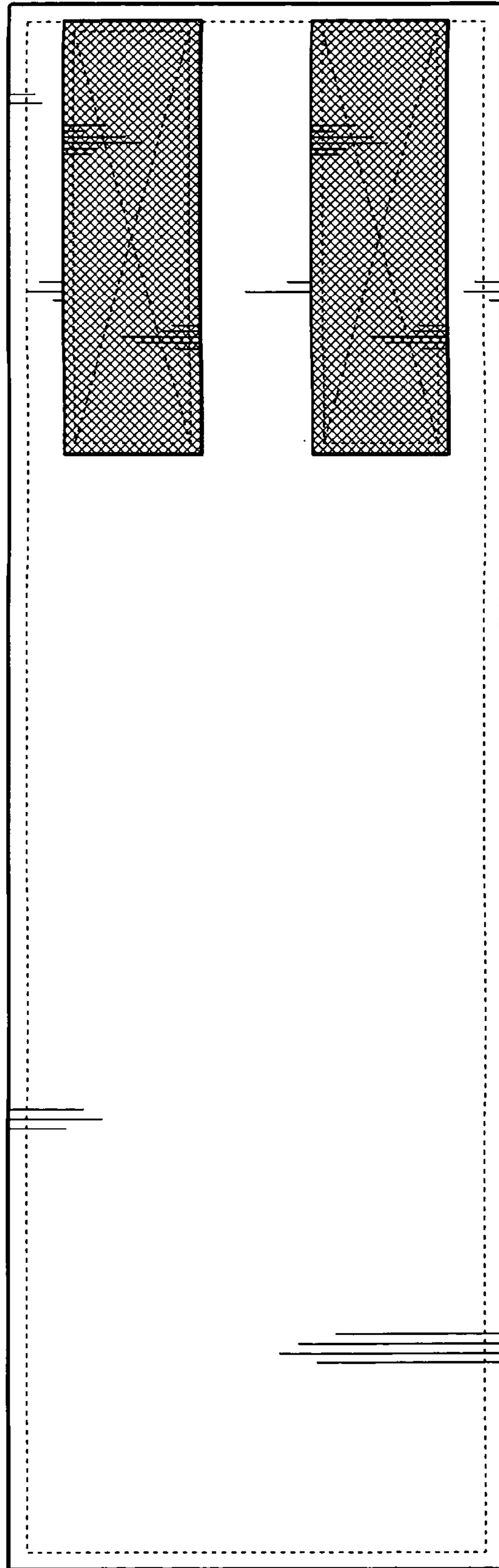


FIG. 3

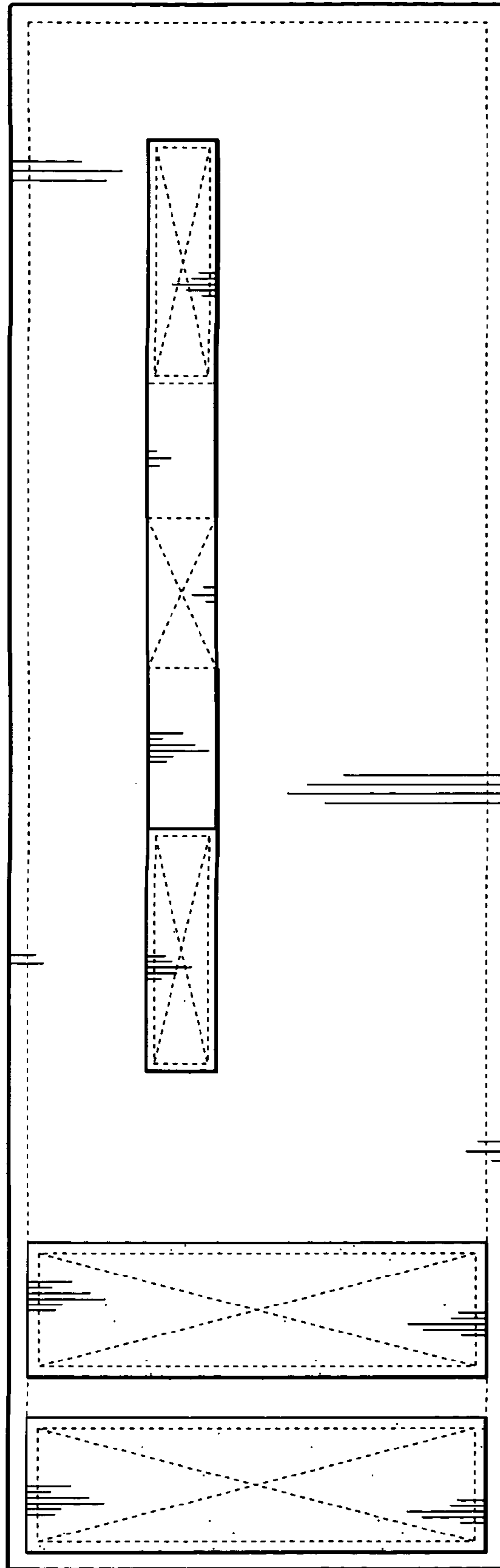


FIG. 4



FIG. 7



FIG. 6



FIG. 5