

US00D564175S

(12) **United States Design Patent**  
**Kato et al.**

(10) **Patent No.:** **US D564,175 S**  
(45) **Date of Patent:** **\*\* Mar. 11, 2008**

(54) **CONTROL DEVICE FOR AN AUTOMATED WAREHOUSING SYSTEM**

4,967,130 A \* 10/1990 Sorensen et al. .... 318/652  
5,141,380 A 8/1992 Kato et al.

(75) Inventors: **Naoto Kato**, Kariya (JP); **Daisuke Iguchi**, Kariya (JP)

FOREIGN PATENT DOCUMENTS  
JP 1037199 4/1999

(73) Assignee: **Kabushiki Kaisha Toyota Jidoshokki**, Kariya-shi (JP)

OTHER PUBLICATIONS

(\*\*) Term: **14 Years**

Japanese Office Action dated Jul. 6, 2007, received in corresponding Japanese Patent Application No. 2006-023489 without English translation.

(21) Appl. No.: **29/273,248**

\* cited by examiner

(22) Filed: **Feb. 27, 2007**

*Primary Examiner*—Cynthia E Ramirez

(30) **Foreign Application Priority Data**

(74) *Attorney, Agent, or Firm*—Morgan & Finnegan, L.L.P.

Sep. 1, 2006 (JP) ..... 2006-023489

(57) **CLAIM**

(51) **LOC (8) Cl.** ..... **12-05**

The ornamental design for a control device for an automated warehousing system, as shown and described.

(52) **U.S. Cl.** ..... **D34/35**

(58) **Field of Classification Search** ..... D34/28,  
D34/35, 33; 414/273, 281, 495, 454, 459,  
414/460, 786; 254/DIG. 9; 212/324, 326,  
212/327

**DESCRIPTION**

See application file for complete search history.

FIG. 1 is a front perspective view of our design for a control device for an automated warehousing system;

FIG. 2 is a rear perspective view thereof;

FIG. 3 is a front view thereof;

FIG. 4 is a rear view thereof;

FIG. 5 is an enlarged top plan view thereof;

FIG. 6 is an enlarged bottom plan view thereof; and,

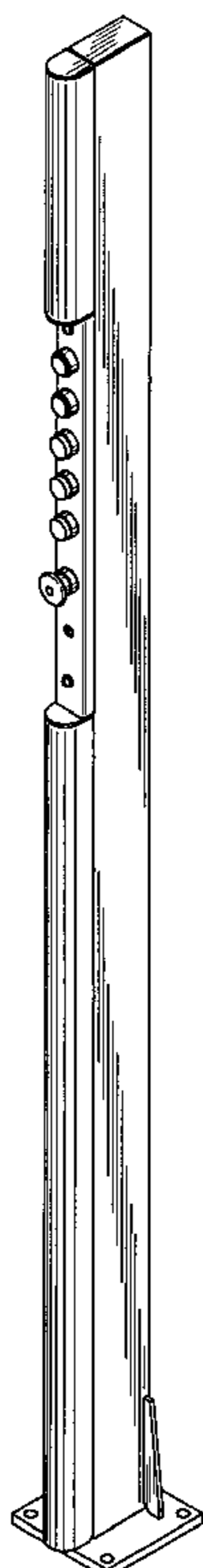
FIG. 7 is a right side elevational view thereof, the left side elevational view being a mirror image of FIG. 7.

(56) **References Cited**

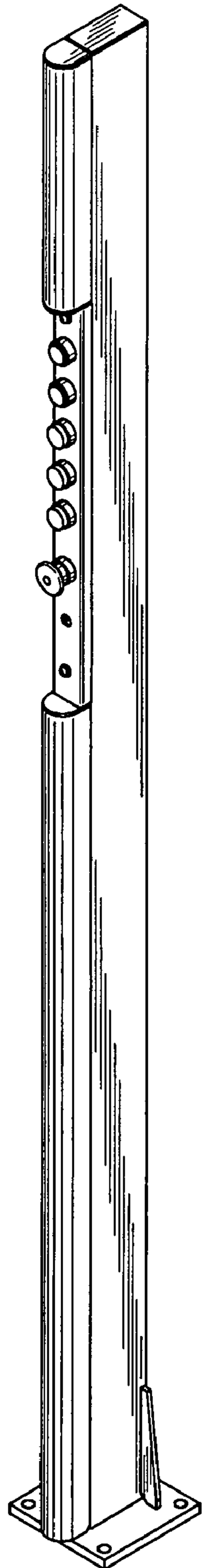
U.S. PATENT DOCUMENTS

3,568,861 A \* 3/1971 Atwater et al. .... 414/273  
3,767,072 A \* 10/1973 Atwater ..... 414/281  
4,232,370 A \* 11/1980 Tapley ..... 700/214  
D281,199 S \* 10/1985 Prawl ..... D34/28  
4,915,576 A \* 4/1990 Lanigan et al. .... 414/809

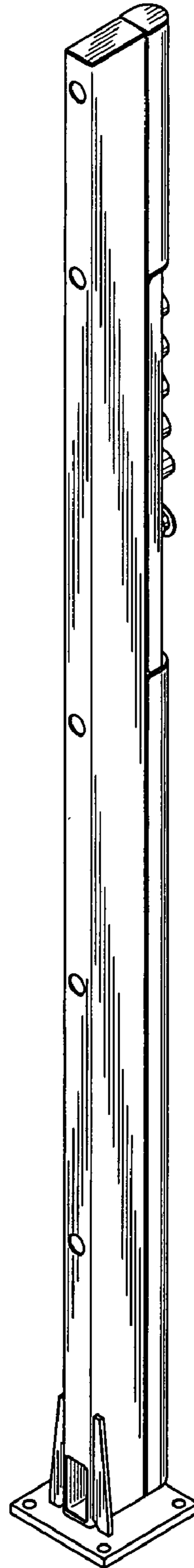
**1 Claim, 3 Drawing Sheets**



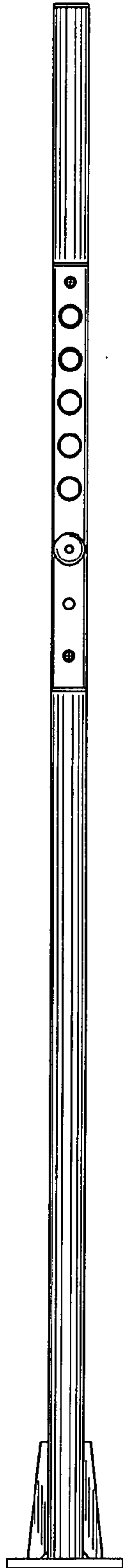
*FIG. 1*



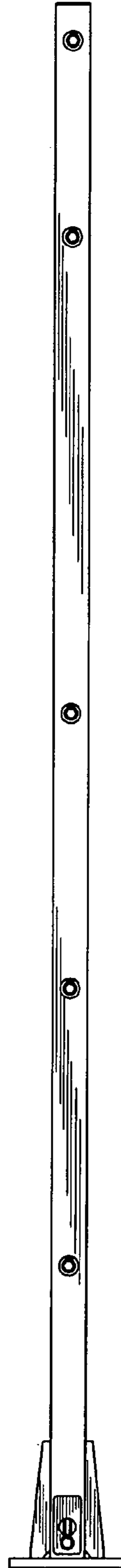
*FIG. 2*



**FIG. 3**

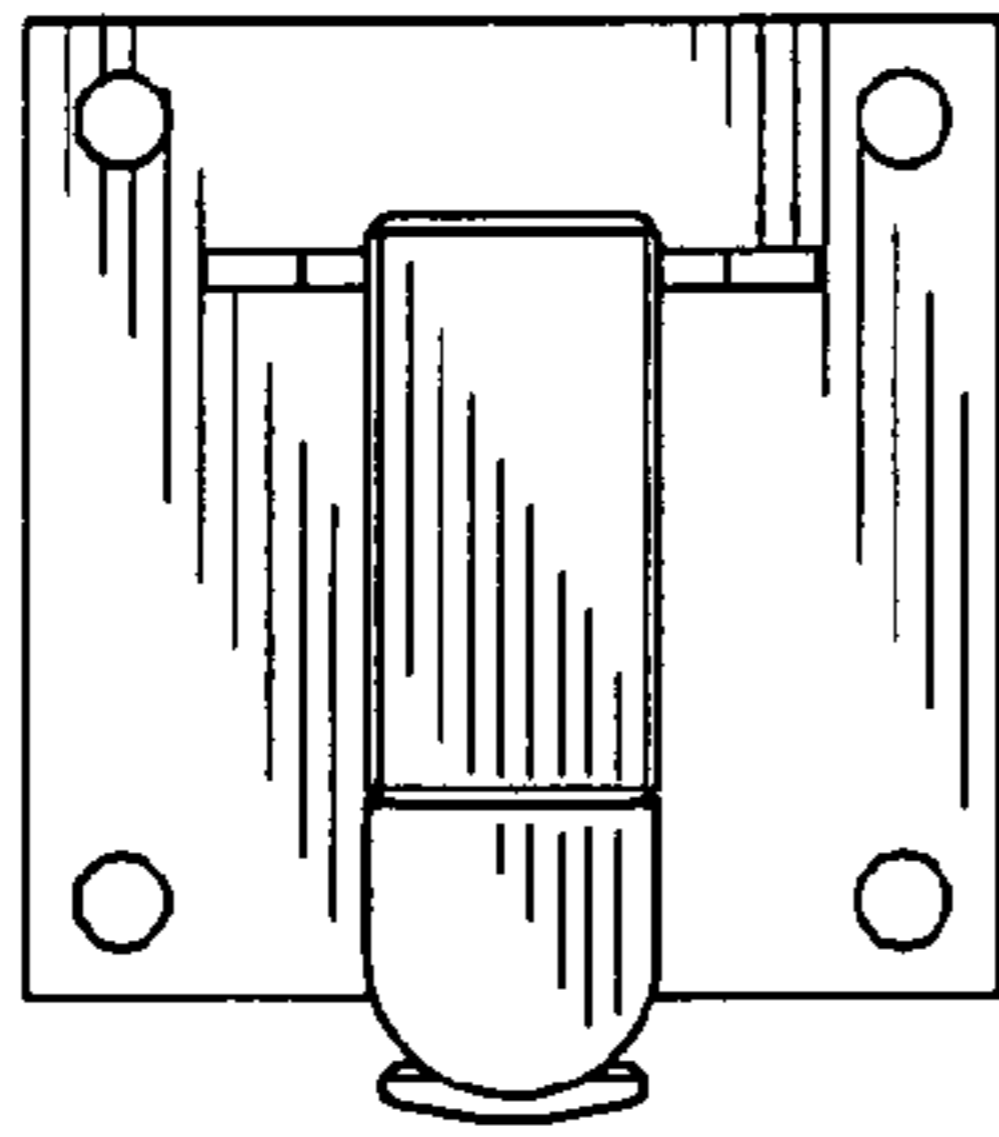


**FIG. 4**



**FIG. 7**

**FIG. 5**



**FIG. 6**

