

US00D564174S

(12) **United States Design Patent**
Iguchi

(10) **Patent No.:** **US D564,174 S**

(45) **Date of Patent:** **** Mar. 11, 2008**

(54) **FORKLIFT TRUCK**

D474,571 S * 5/2003 Stark D34/34
D492,831 S * 7/2004 Kouyama D34/34
D551,423 S * 9/2007 Kodama et al. D34/34

(75) Inventor: **Daisuke Iguchi**, Kariya (JP)

(73) Assignee: **Kabushiki Kaisha Toyota Jidoshokki**,
Kariya-shi (JP)

* cited by examiner

(**) Term: **14 Years**

Primary Examiner—Cynthia E Ramirez

(74) *Attorney, Agent, or Firm*—Morgan & Finnegan, L.L.P.

(21) Appl. No.: **29/273,258**

(57) **CLAIM**

(22) Filed: **Feb. 27, 2007**

The ornamental design for a forklift truck, as shown.

(30) **Foreign Application Priority Data**

Sep. 1, 2006 (JP) 2006-023423

DESCRIPTION

(51) **LOC (8) Cl.** **12-05**

(52) **U.S. Cl.** **D34/34**

(58) **Field of Classification Search** D34/34;
187/222, 237; 414/572, 592, 631; 180/89.12,
180/89.13, 89.17

See application file for complete search history.

FIG. 1 is a front perspective view of my design for a forklift truck;

FIG. 2 is a rear perspective view thereof;

FIG. 3 is a front view thereof;

FIG. 4 is a rear view thereof;

FIG. 5 is a top plan view thereof;

FIG. 6 is a right side elevational view thereof; and,

FIG. 7 is a left side elevational view thereof.

(56) **References Cited**

U.S. PATENT DOCUMENTS

D355,291 S 2/1995 Soederberg

1 Claim, 7 Drawing Sheets

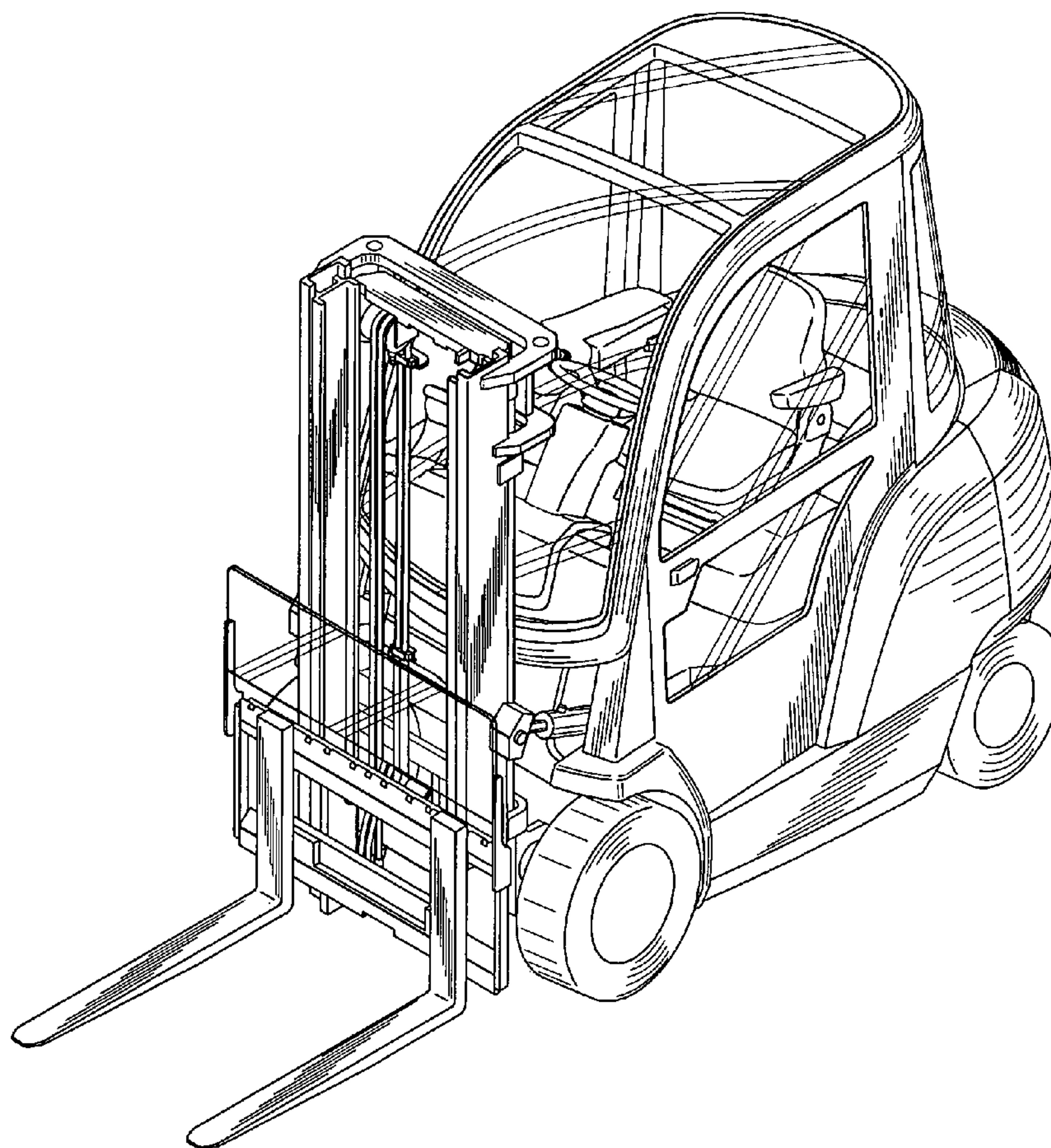


FIG. 1

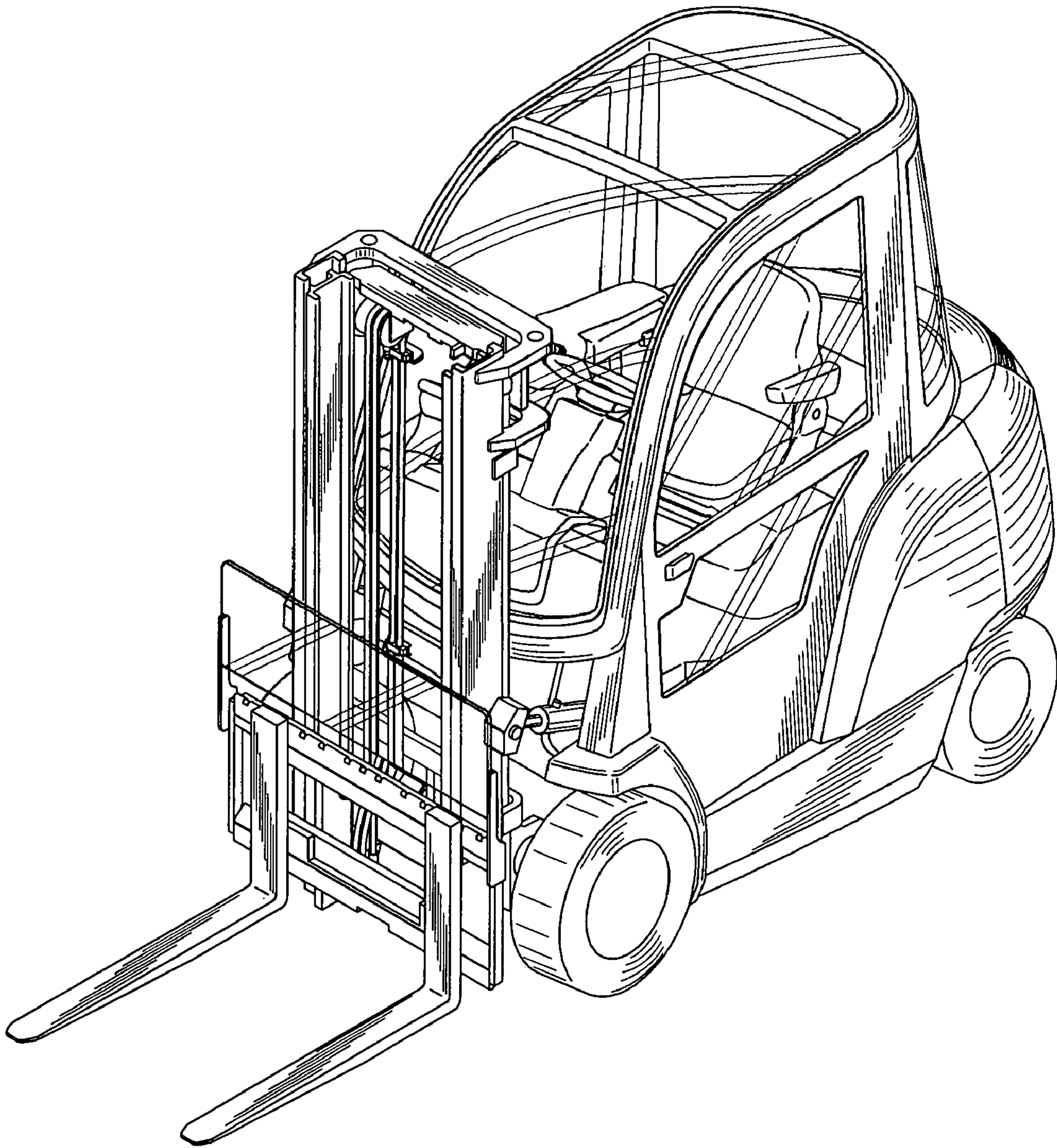


FIG. 2

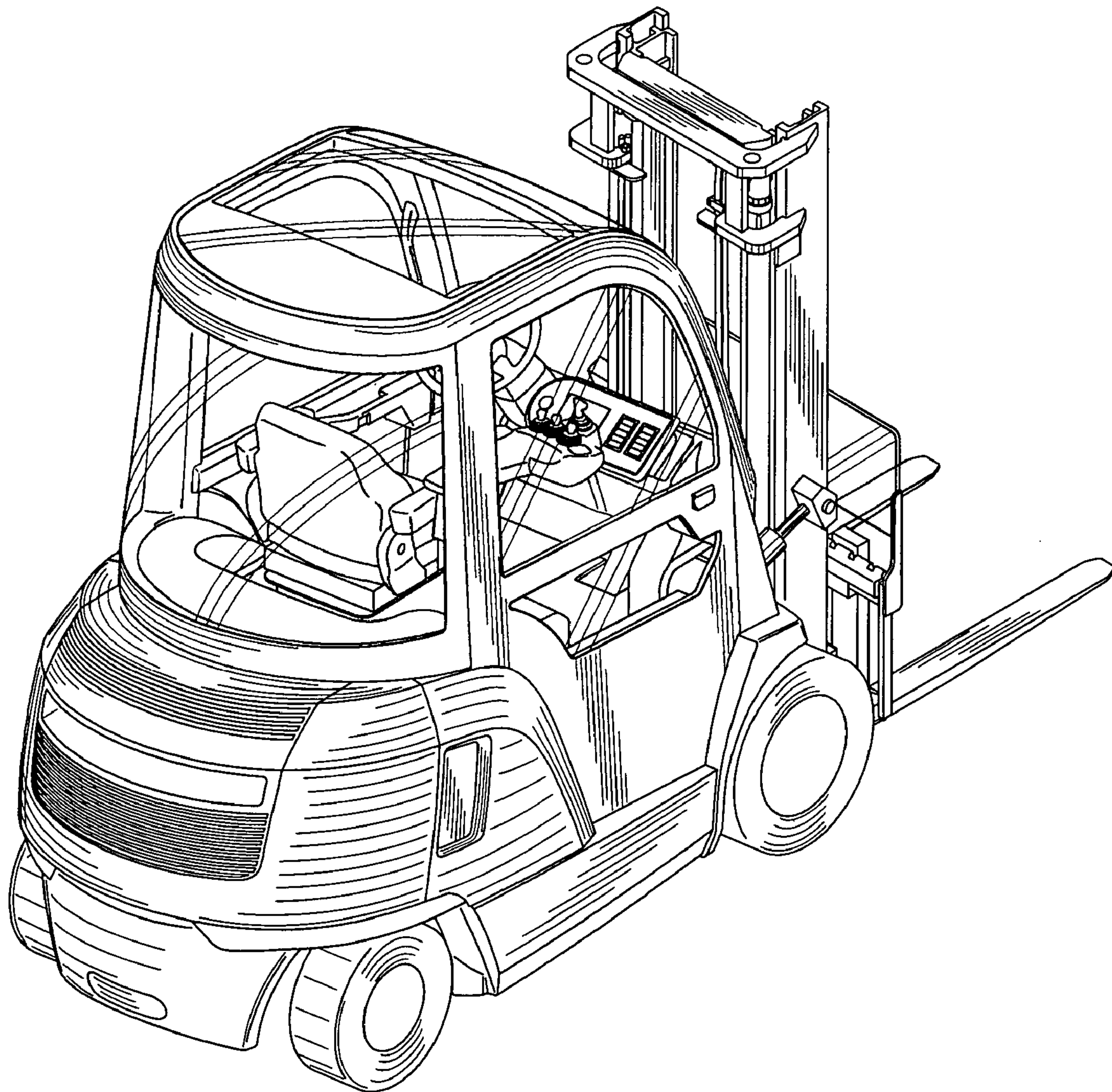


FIG. 3

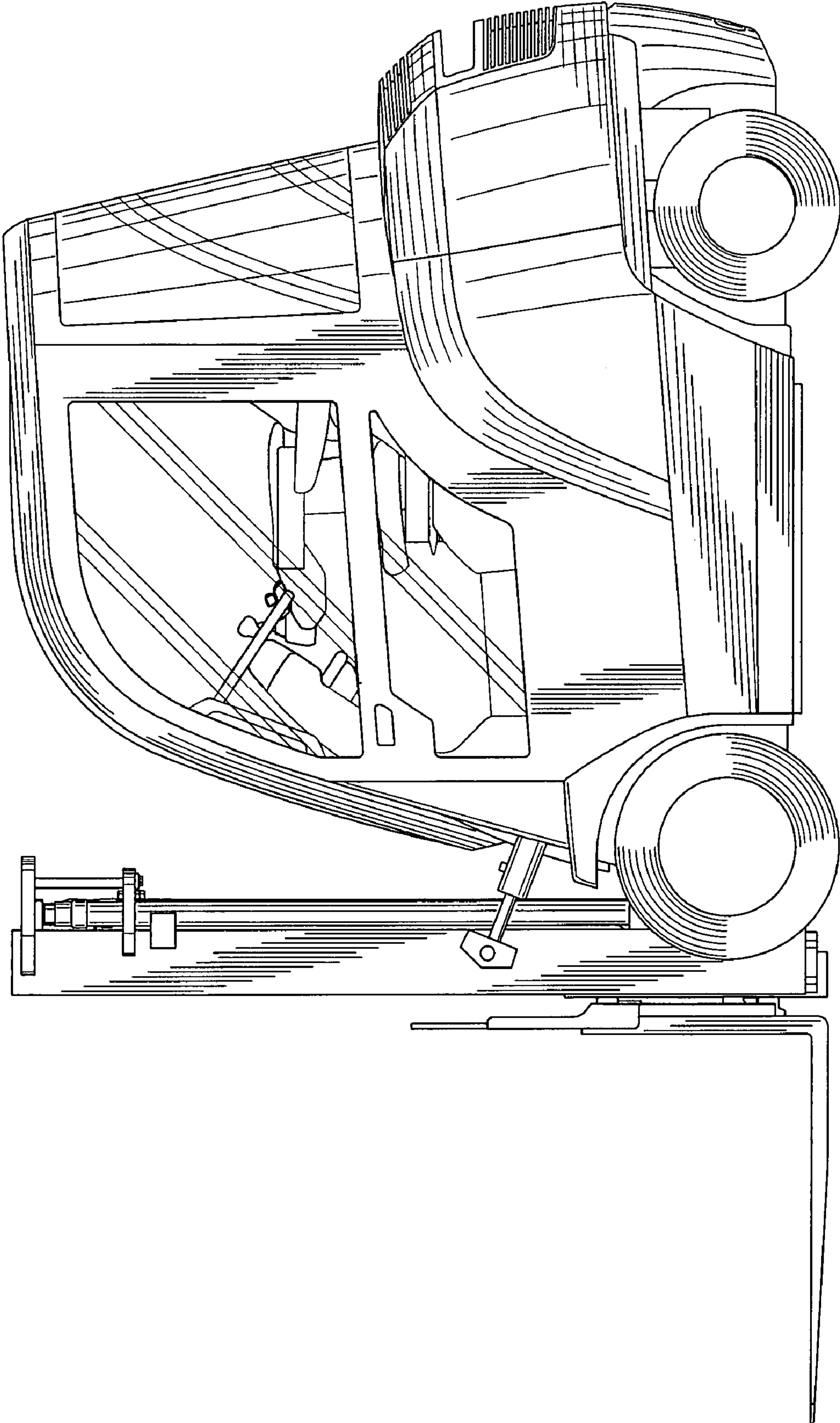


FIG. 4

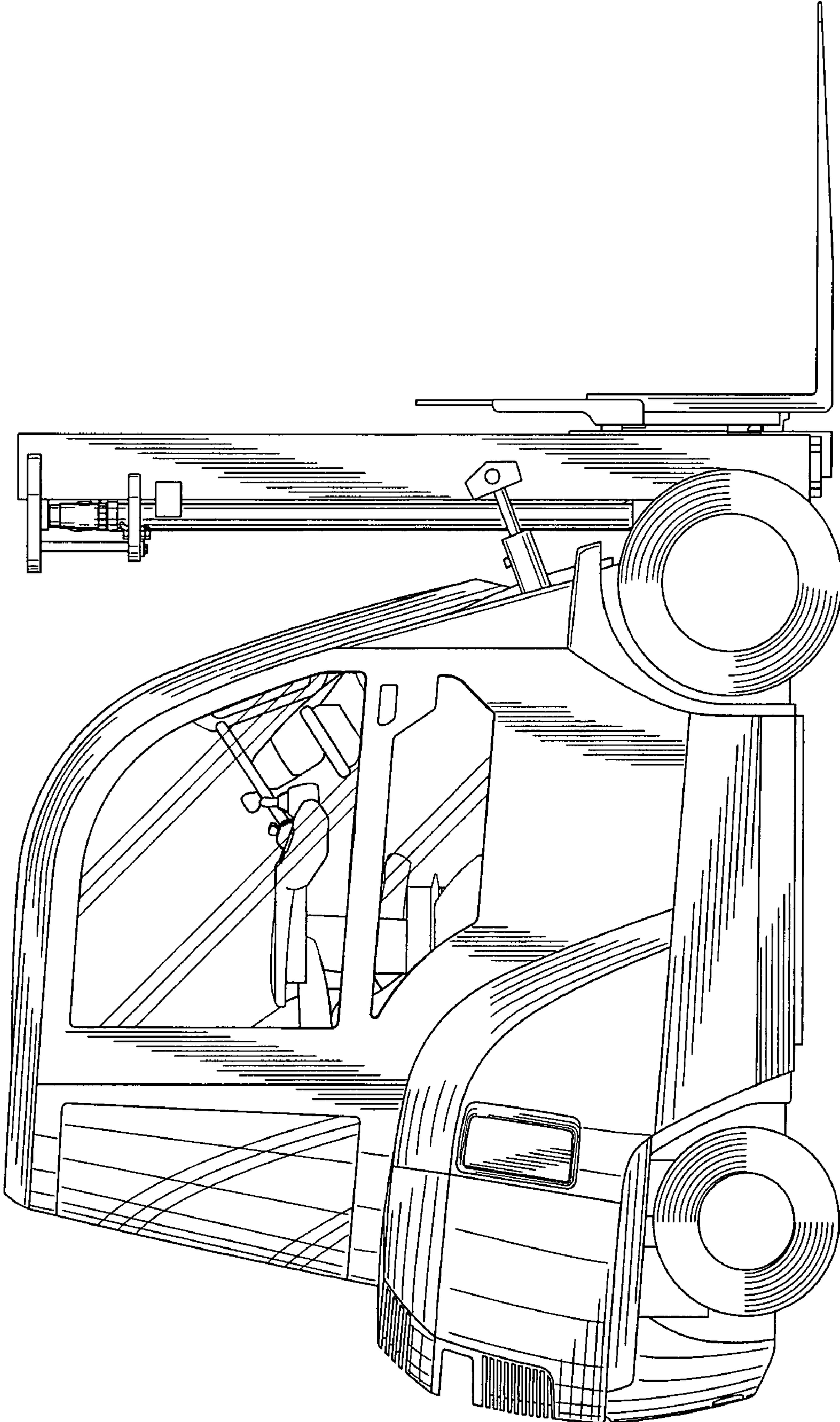


FIG. 5

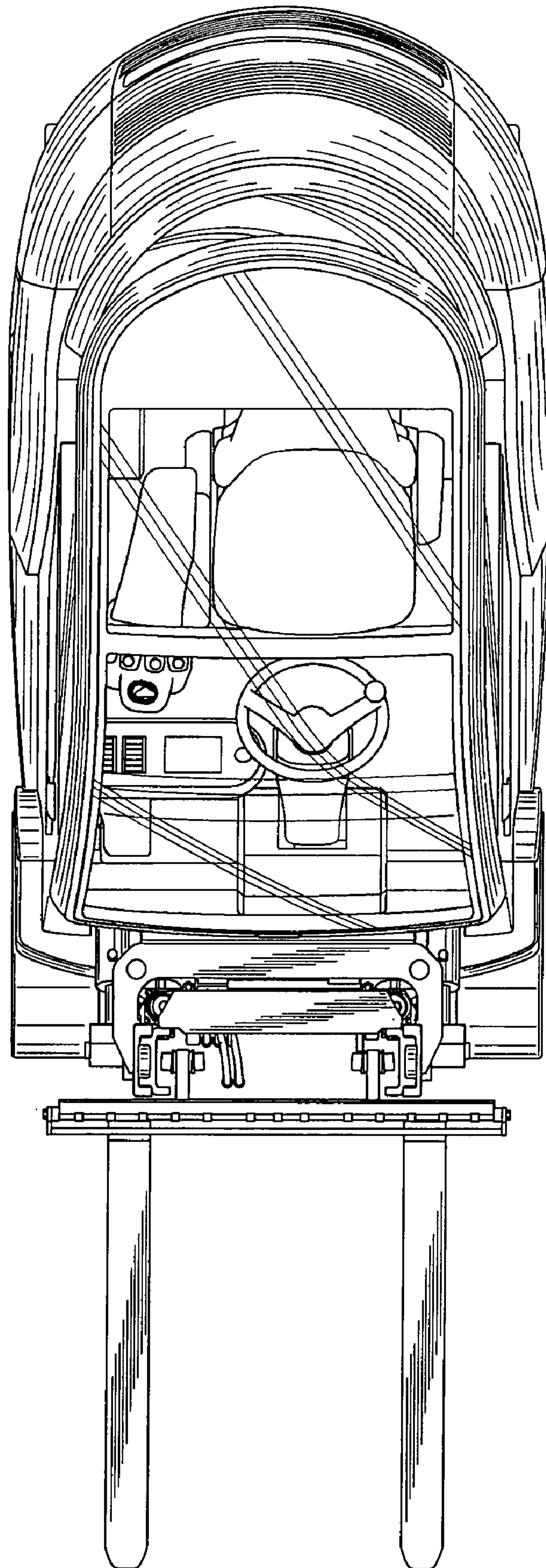


FIG. 6

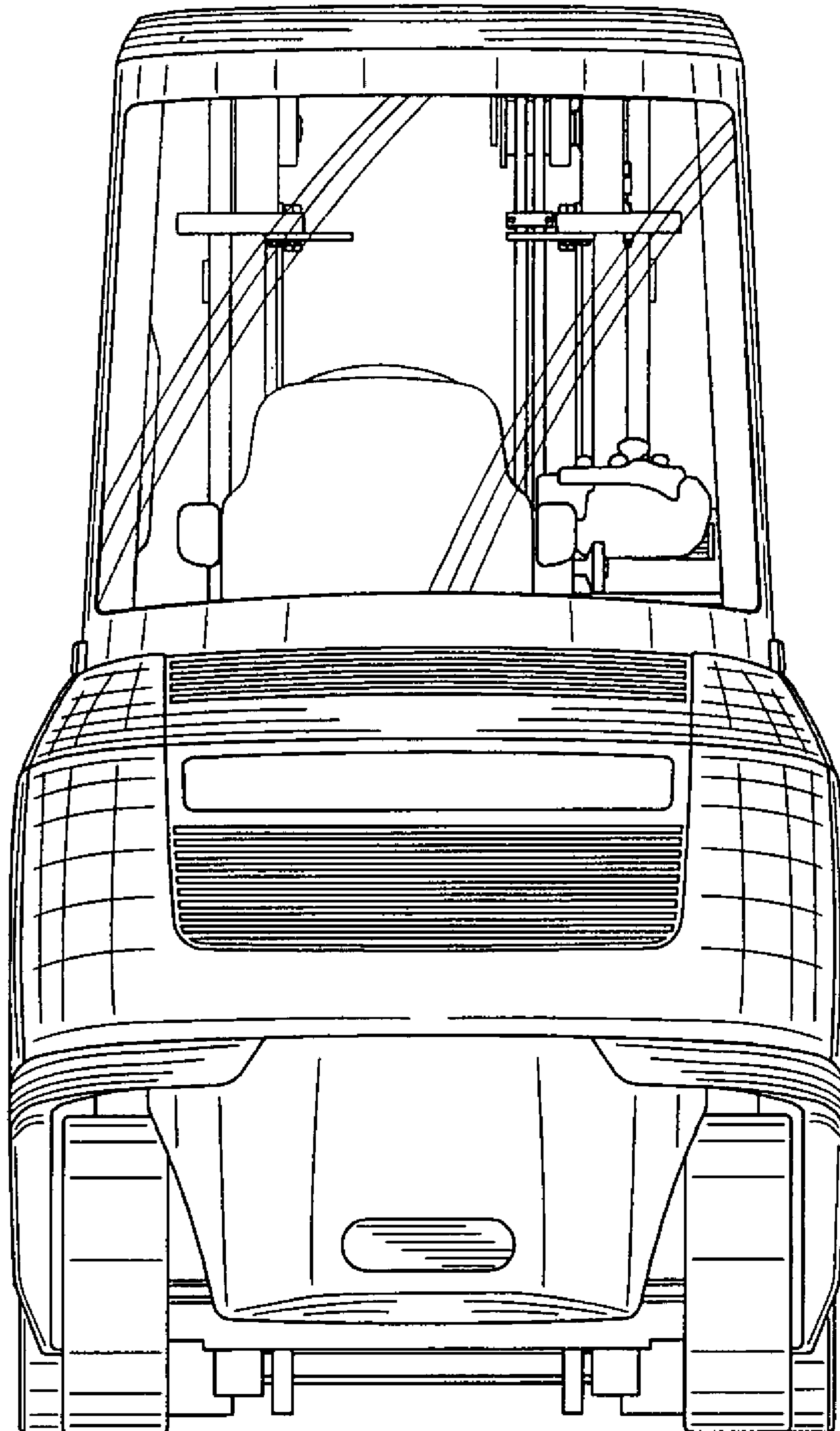


FIG. 7

